



US00D617073S

(12) **United States Design Patent**
Lipscomb et al.

(10) **Patent No.:** **US D617,073 S**
(45) **Date of Patent:** **** Jun. 1, 2010**

(54) **COMBINED GARDEN CART AND BUCKET HOLDER**

(75) Inventors: **Daniel J. Lipscomb**, Prairie du Sac, WI (US); **Scott Roelke**, Arena, WI (US); **Joshua D. Hatch**, Middleton, WI (US); **Brian Beutter**, Madison, WI (US); **Craig Peterson**, Cross Plains, WI (US)

(73) Assignee: **Fiskars Brands, Inc.**, Madison, WI (US)

(**) Term: **14 Years**

(21) Appl. No.: **29/338,066**

(22) Filed: **Jun. 3, 2009**

(51) **LOC (9) Cl.** **09-09**

(52) **U.S. Cl.** **D34/17**

(58) **Field of Classification Search** D34/12-27;
280/33.994, 33.998, 47.31, 47.33, 47.26,
280/47.34, 47.18, 47.12

See application file for complete search history.

(56) **References Cited**

U.S. PATENT DOCUMENTS

D327,350 S	6/1992	Brown et al.	
D338,306 S	8/1993	White et al.	
D355,515 S	2/1995	Spear et al.	
5,472,220 A	12/1995	Stephan	
D370,326 S *	5/1996	Chapman et al.	D34/16
D376,454 S	12/1996	Fierek et al.	
5,615,903 A	4/1997	Spear et al.	
D388,580 S *	12/1997	Havlovitz	D34/19
5,692,761 A *	12/1997	Havlovitz	280/33.994
D388,919 S	1/1998	Maire et al.	
D389,972 S	1/1998	Grosfillex	
D391,732 S *	3/1998	Spear et al.	D34/19

D393,129 S	3/1998	Yemini
D396,912 S	8/1998	Maire et al.
5,791,667 A	8/1998	Knoll
5,797,491 A	8/1998	Fierek et al.
5,806,867 A	9/1998	Hampton
D404,870 S	1/1999	Van Rhienen
D414,337 S	9/1999	Hubert

(Continued)

OTHER PUBLICATIONS

U.S. Appl. No. 29/338,062, filed Jun. 3, 2009, Lipscomb et al.

Primary Examiner—Cynthia E Ramirez

(74) *Attorney, Agent, or Firm*—Foley & Lardner LLP

(57) **CLAIM**

We claim the ornamental design for a combined garden cart and bucket holder, as shown and described.

DESCRIPTION

FIG. 1 is a front perspective view of a combined garden cart and bucket holder showing the claimed design.

FIG. 2 is a left side elevation view of the claimed design.

FIG. 3 is a top view of the claimed design.

FIG. 4 is a bottom view of the claimed design.

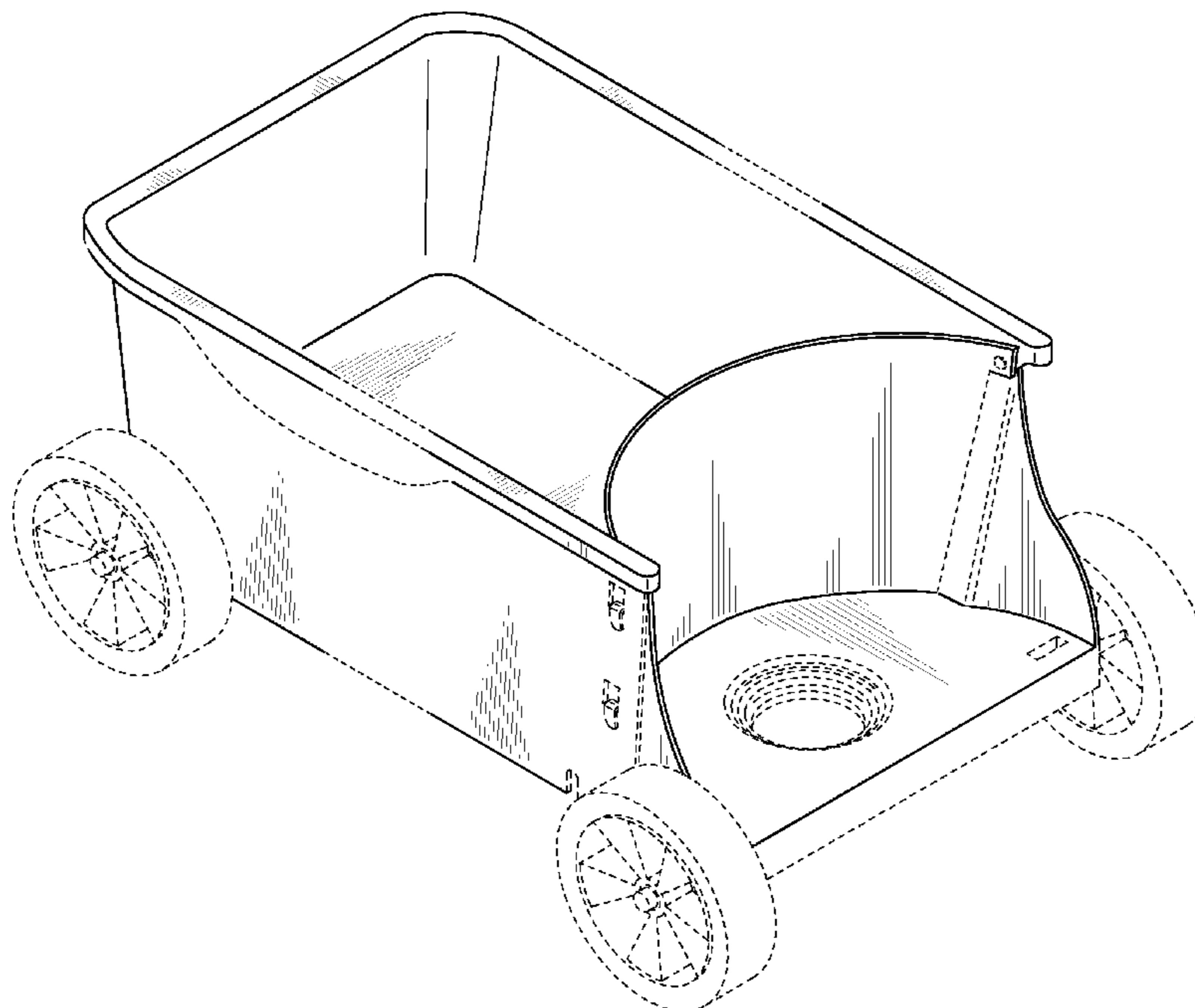
FIG. 5 is a front elevation view of the claimed design; and,

FIG. 6 is a back elevation view of the claimed design.

The broken lines showing of the wheels, the circles on the front area of the cart and the contour surface along the top outside longitudinal edges are to show areas of the cart that are not part of the claimed design.

The top and bottom longitudinal edges of the cart include a broken line segment that represents a non-specified length.

1 Claim, 6 Drawing Sheets



US D617,073 S

Page 2

U.S. PATENT DOCUMENTS

6,135,467	A	10/2000	Tagariello	6,554,149	B2	4/2003	Schneider et al.	
D434,534	S	11/2000	Marasco	6,848,695	B2 *	2/2005	Panasewicz et al.	280/33.998
6,193,265	B1	2/2001	Yemini	D525,407	S *	7/2006	Auberger	D34/16
6,203,033	B1	3/2001	Knoll	7,252,295	B2 *	8/2007	Bludworth	280/33.991
6,209,891	B1	4/2001	Herrmann	7,581,736	B1 *	9/2009	Garza, Jr.	280/47.371
6,520,365	B2	2/2003	Schneider	2007/0085285	A1 *	4/2007	Lindsay	280/47.34
				2008/0174155	A1 *	7/2008	Engelman	297/217.1

* cited by examiner

FIG. 1

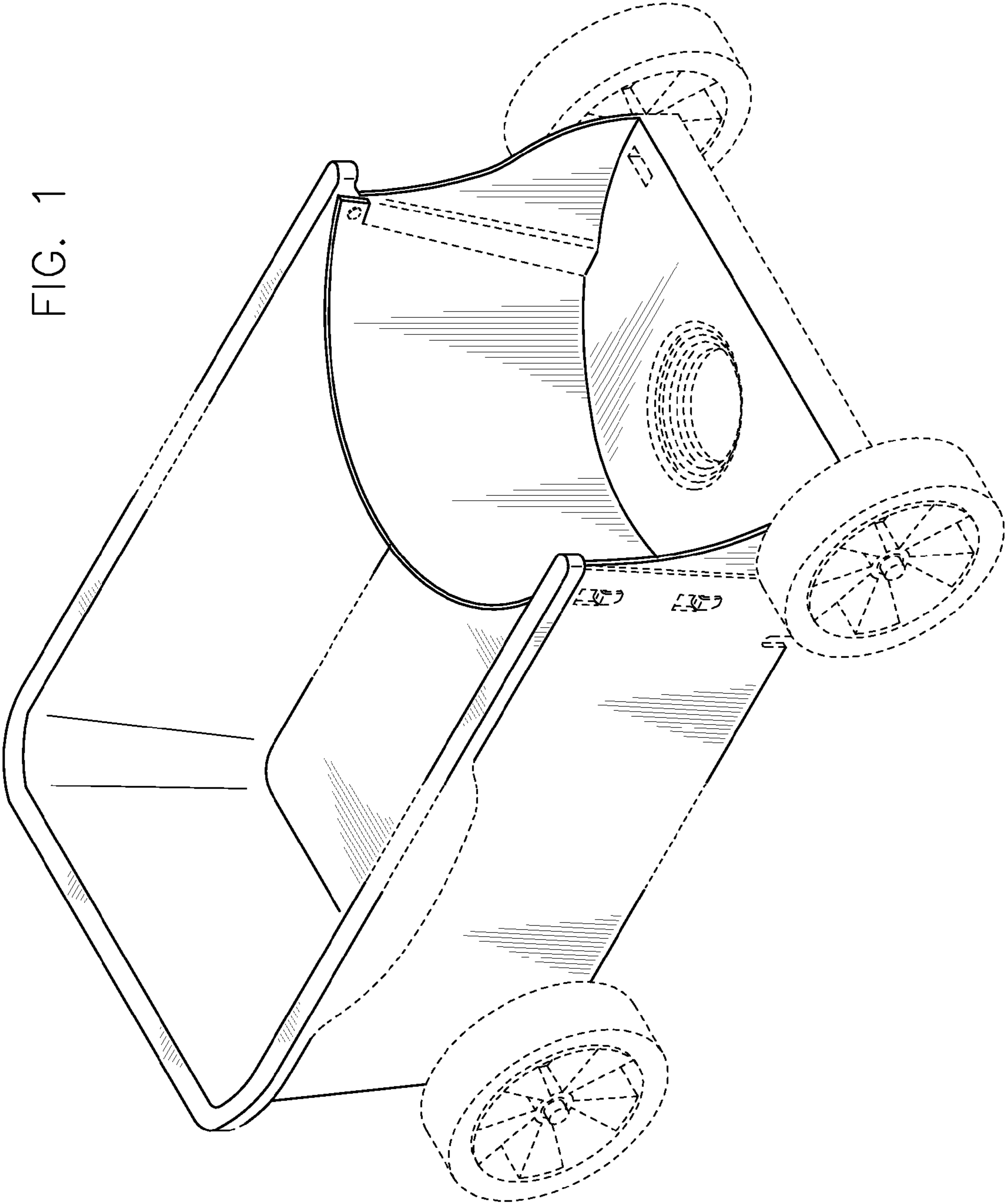


FIG. 2

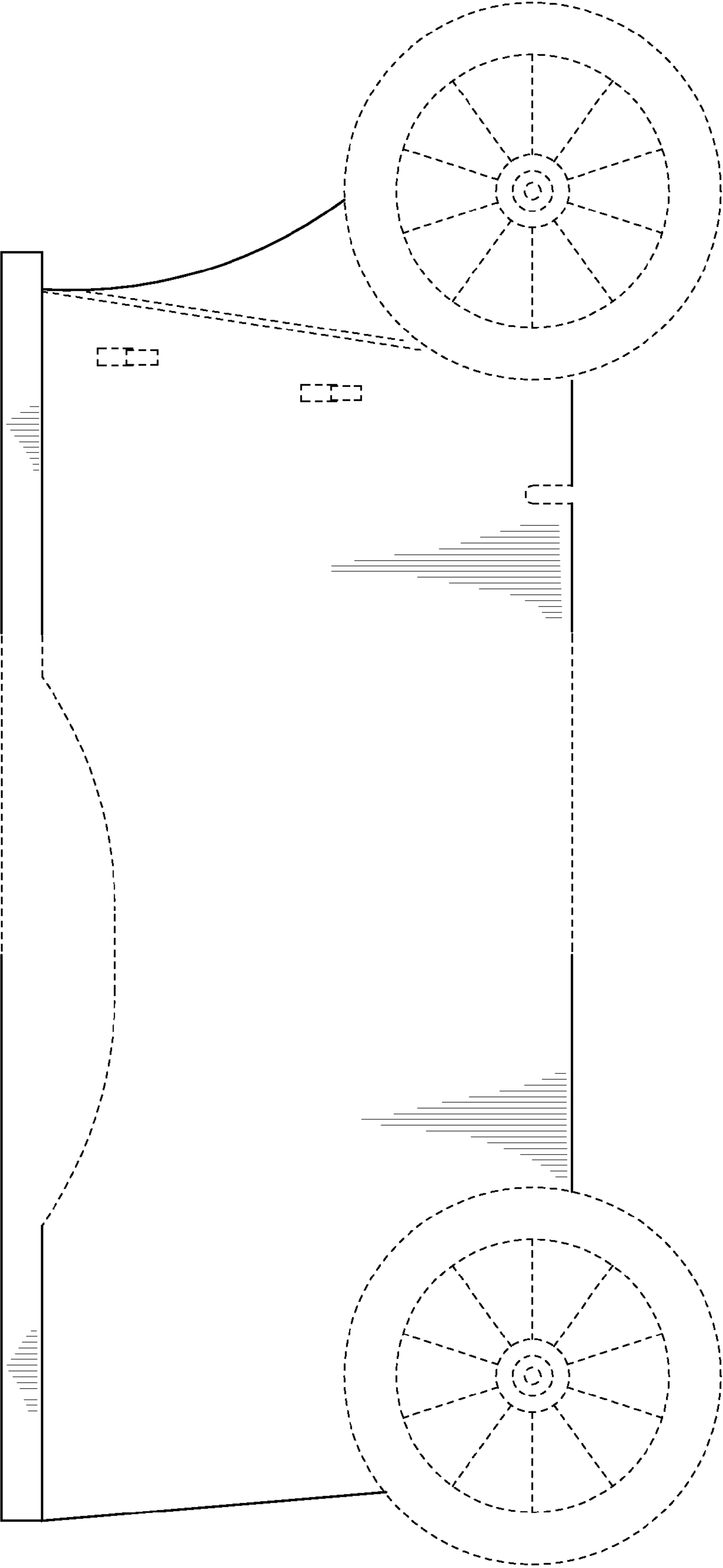


FIG. 3

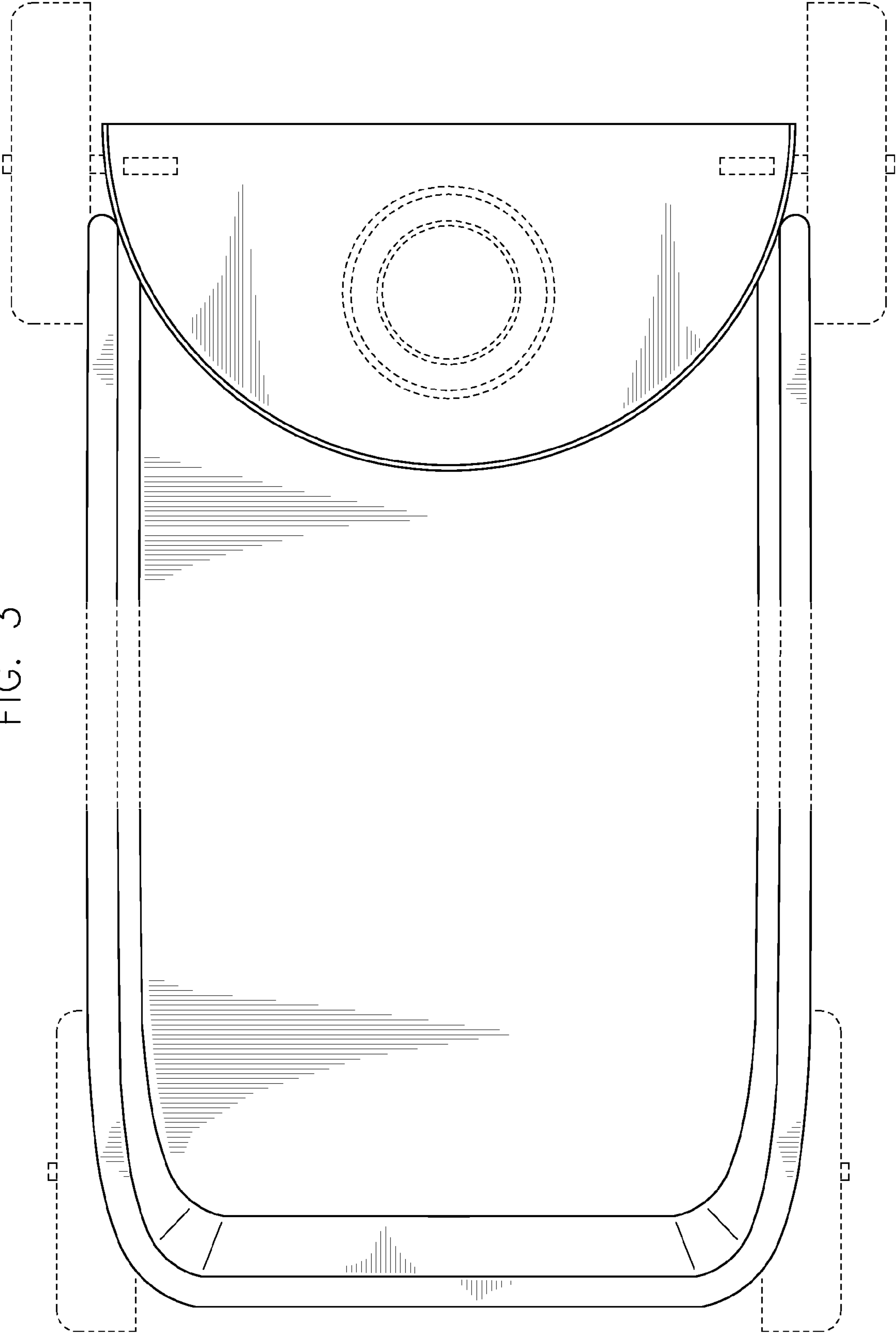


FIG. 4

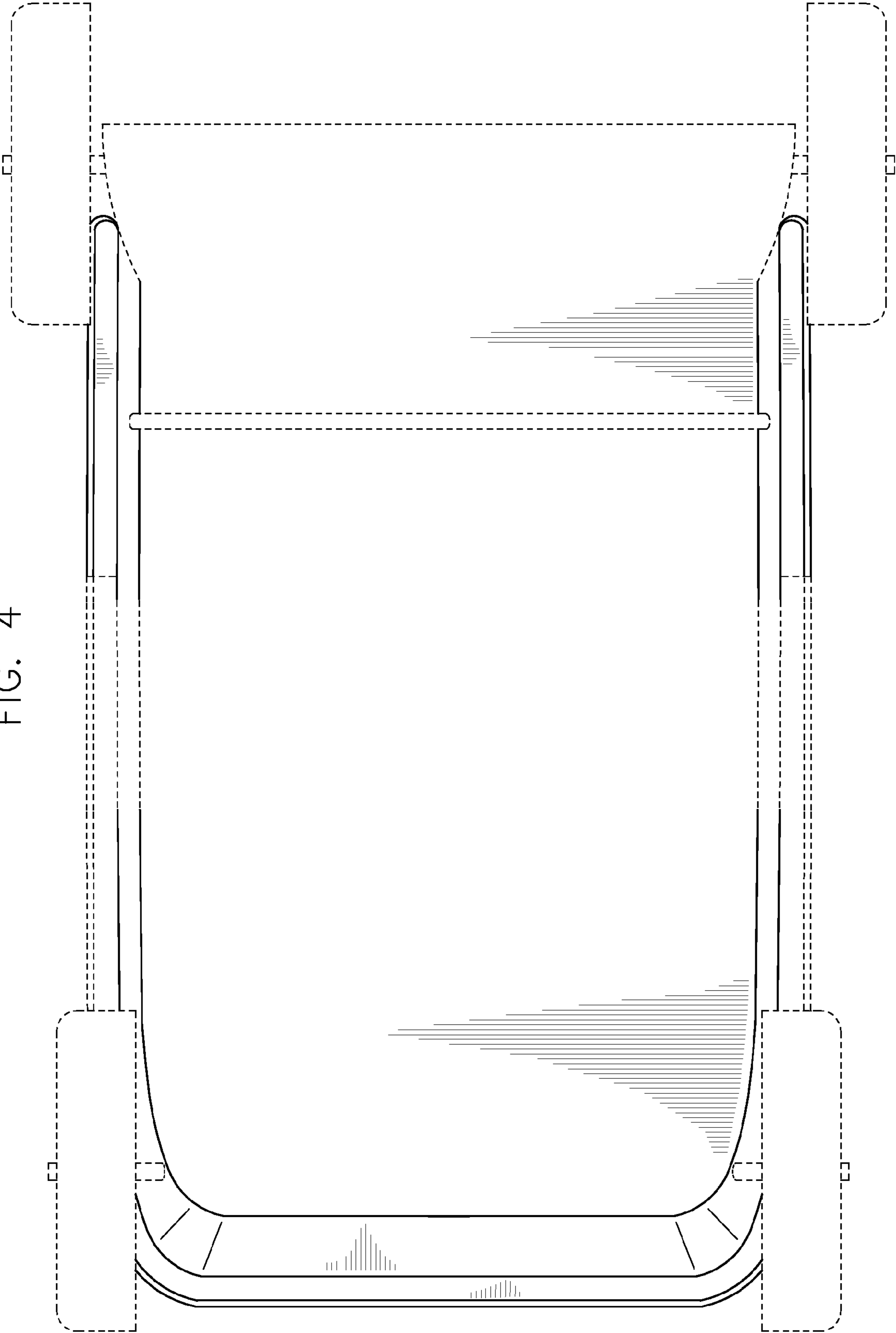


FIG. 5

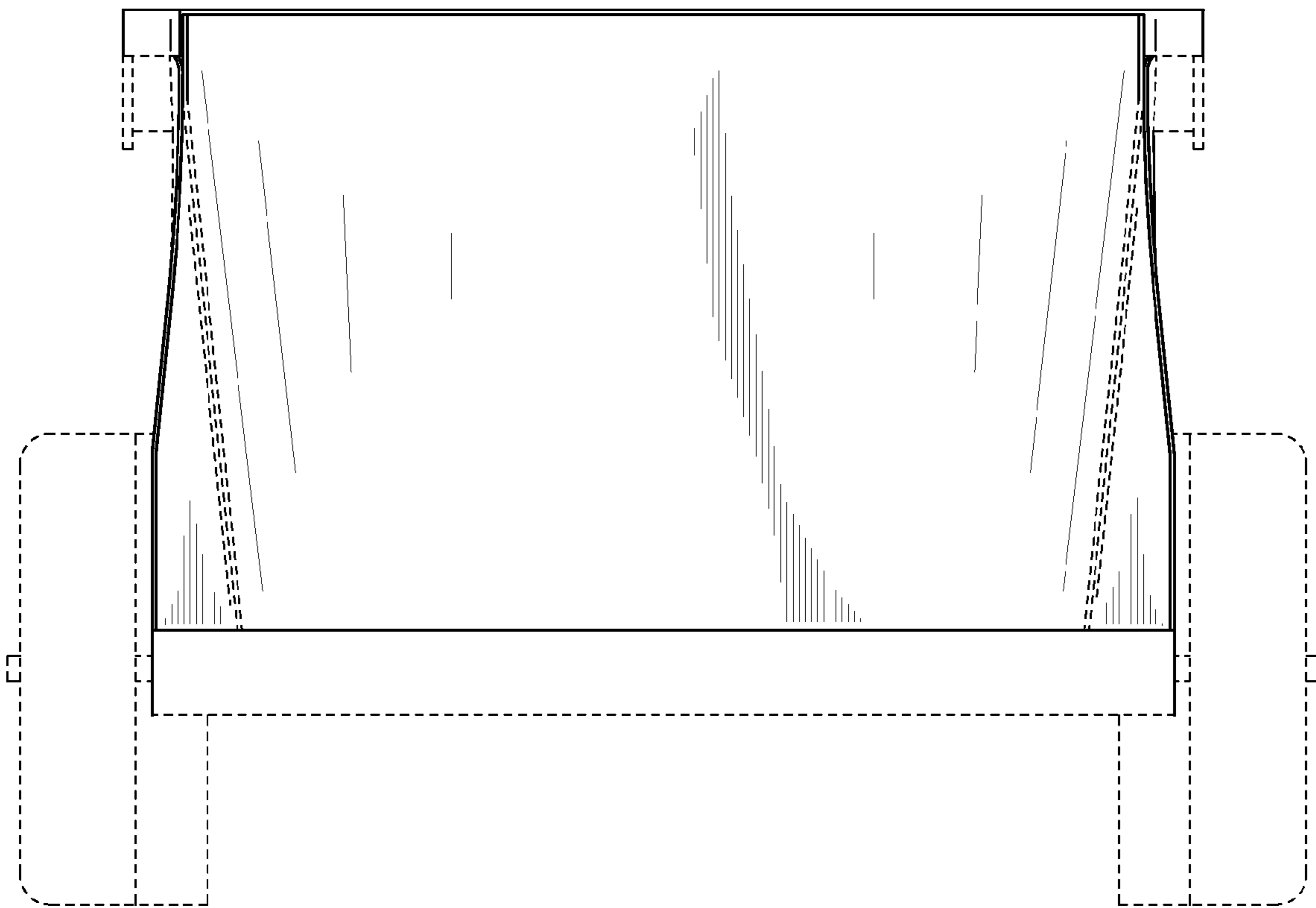


FIG. 6

