



US00D617072S

(12) **United States Design Patent**  
**Lipscomb et al.**

(10) **Patent No.:** **US D617,072 S**  
(45) **Date of Patent:** **\*\* Jun. 1, 2010**

- (54) **COMBINED GARDEN CART AND BUCKET HOLDER**
- (75) Inventors: **Daniel J. Lipscomb**, Prairie du Sac, WI (US); **Scott Roelke**, Arena, WI (US); **Joshua D. Hatch**, Middleton, WI (US); **Brian Beutter**, Madison, WI (US); **Andrew P. Block**, Middleton, WI (US)
- (73) Assignee: **Fiskars Brands, Inc.**, Madison, WI (US)
- (\*\*) Term: **14 Years**
- (21) Appl. No.: **29/338,062**
- (22) Filed: **Jun. 3, 2009**
- (51) **LOC (9) Cl.** ..... **12-02**
- (52) **U.S. Cl.** ..... **D34/17**
- (58) **Field of Classification Search** ..... D34/12-27;  
280/33.994, 33.998, 47.31, 47.33, 47.26,  
280/47.34, 47.18, 47.12  
See application file for complete search history.

- D414,337 S 9/1999 Hubert
- 6,135,467 A 10/2000 Tagariello
- D434,534 S 11/2000 Marasco
- 6,193,265 B1 \* 2/2001 Yemini ..... 280/653
- 6,203,033 B1 3/2001 Knoll
- 6,209,891 B1 4/2001 Herrmann
- 6,520,365 B2 2/2003 Schneider
- 6,554,149 B2 4/2003 Schneider et al.
- D525,407 S \* 7/2006 Auberger ..... D34/16

\* cited by examiner

*Primary Examiner*—Cynthia E Ramirez

(74) *Attorney, Agent, or Firm*—Foley & Lardner LLP

(57) **CLAIM**

We claim the ornamental design for a combined garden cart and bucket holder, as shown and described.

**DESCRIPTION**

FIG. 1 is a front perspective view of a combined garden cart and bucket holder of the claimed design.

FIG. 2 is a right side elevation view of the claimed design.

FIG. 3 is a top view of the claimed design.

FIG. 4 is a bottom view of the claimed design.

FIG. 5 is a front elevation view of the claimed design; and,

FIG. 6 is a back elevation view of the claimed design.

The ornamental design which is claimed is shown in solid lines in the drawings. The broken lines in the drawings are for illustrative purposes only and form no part of the claimed design.

The broken line showing of the handle, areas of the cart and wheels are to shown elements of the cart that are not part of the claimed design.

The broken line segments in the bucket holder area are intended to represent a unspecified depth of the bucket holder area.

(56) **References Cited**

U.S. PATENT DOCUMENTS

- D327,350 S \* 6/1992 Brown et al. .... D34/16
- D338,306 S \* 8/1993 White et al. .... D34/24
- D355,515 S \* 2/1995 Spear et al. .... D34/16
- 5,472,220 A 12/1995 Stephan
- D376,454 S 12/1996 Fierek et al.
- 5,615,903 A \* 4/1997 Spear et al. .... 280/47.19
- D388,580 S \* 12/1997 Havlovitz ..... D34/19
- D388,919 S 1/1998 Maire et al.
- D389,972 S \* 1/1998 Grosfillex ..... D34/16
- D393,129 S \* 3/1998 Yemini ..... D34/16
- D396,912 S 8/1998 Maire et al.
- 5,791,667 A 8/1998 Knoll
- 5,797,491 A 8/1998 Fierek et al.
- 5,806,867 A 9/1998 Hampton
- D404,870 S \* 1/1999 Van Rhielen ..... D34/16

**1 Claim, 5 Drawing Sheets**

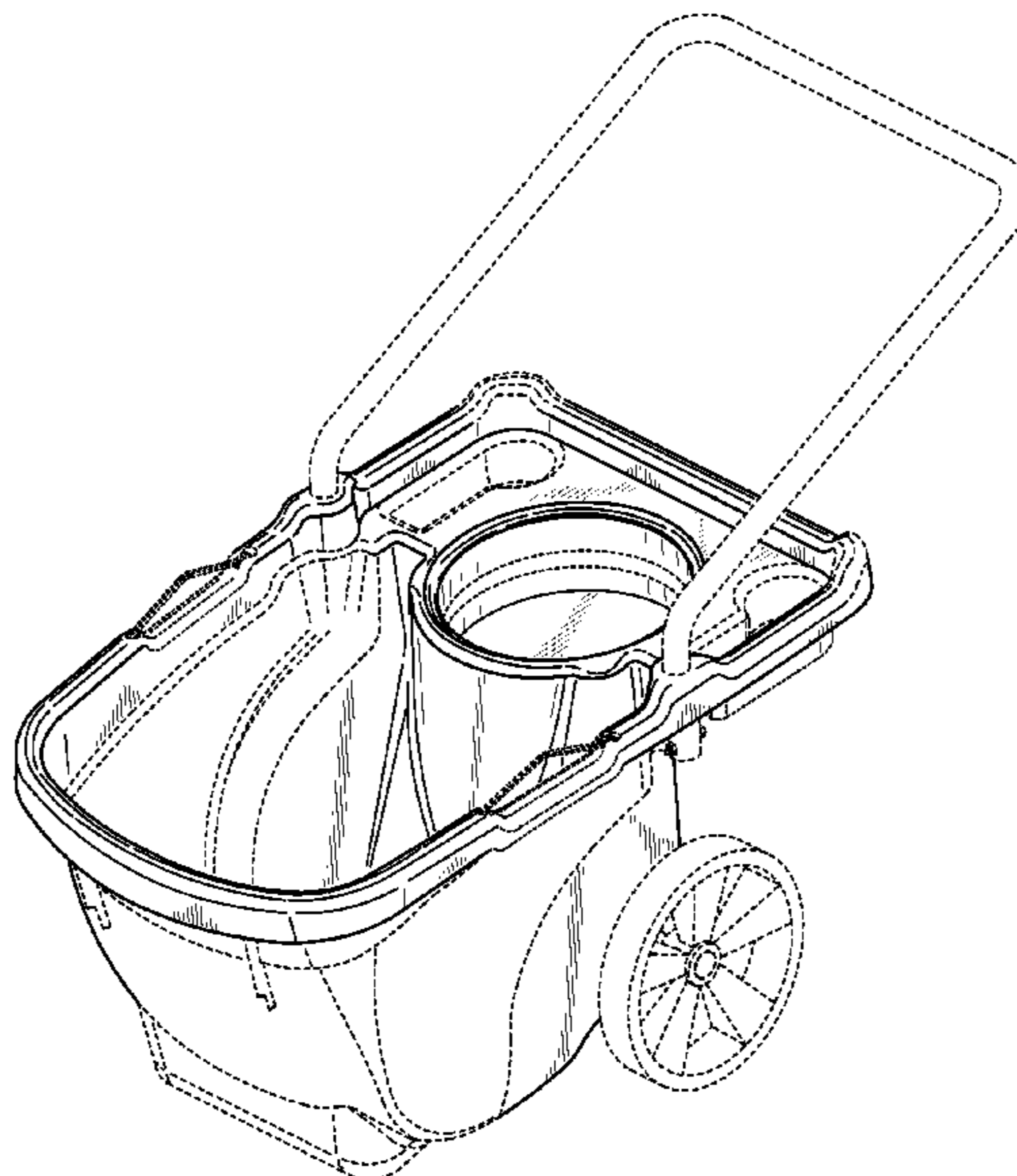


FIGURE 1

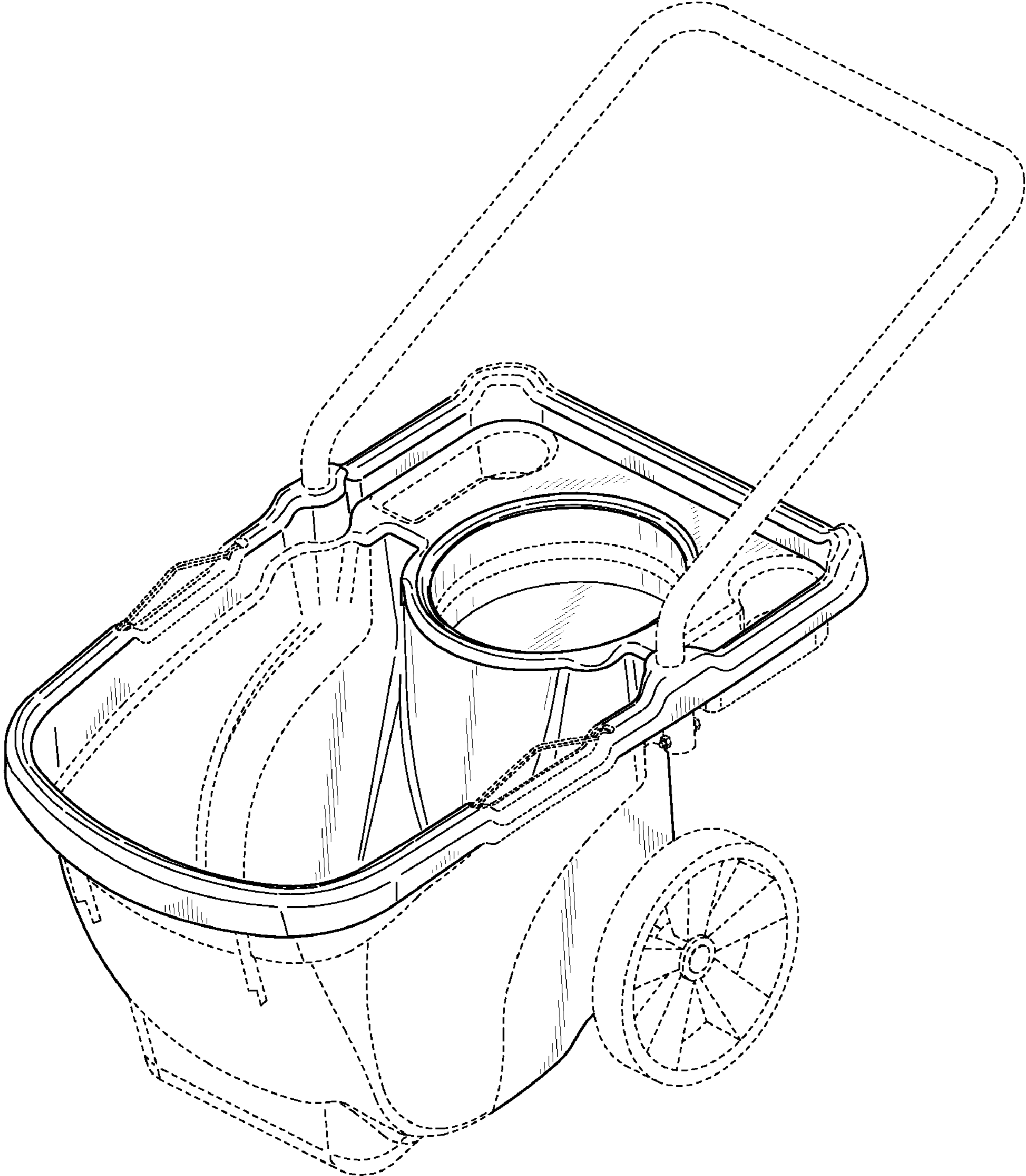


FIGURE 2

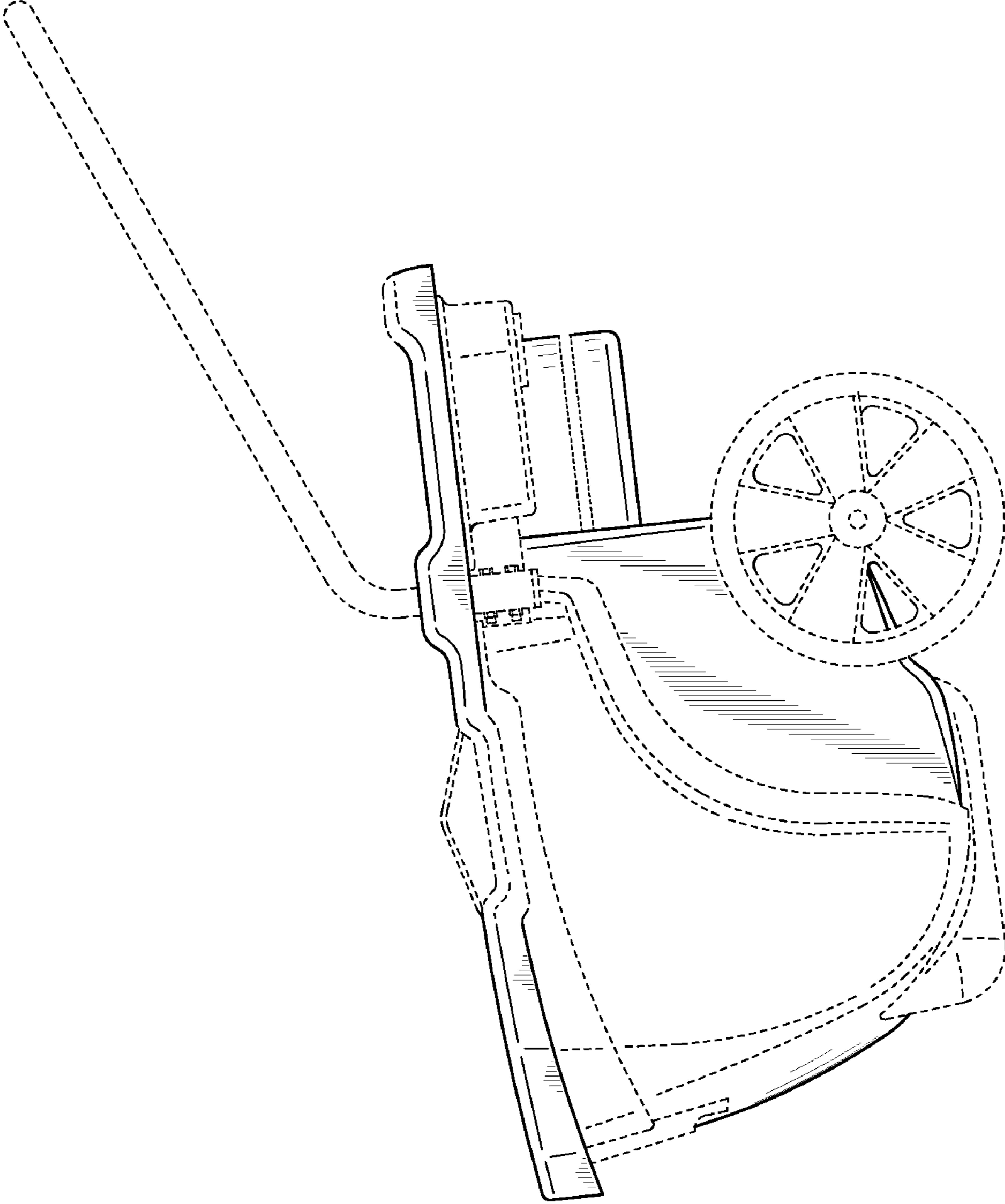


FIGURE 3

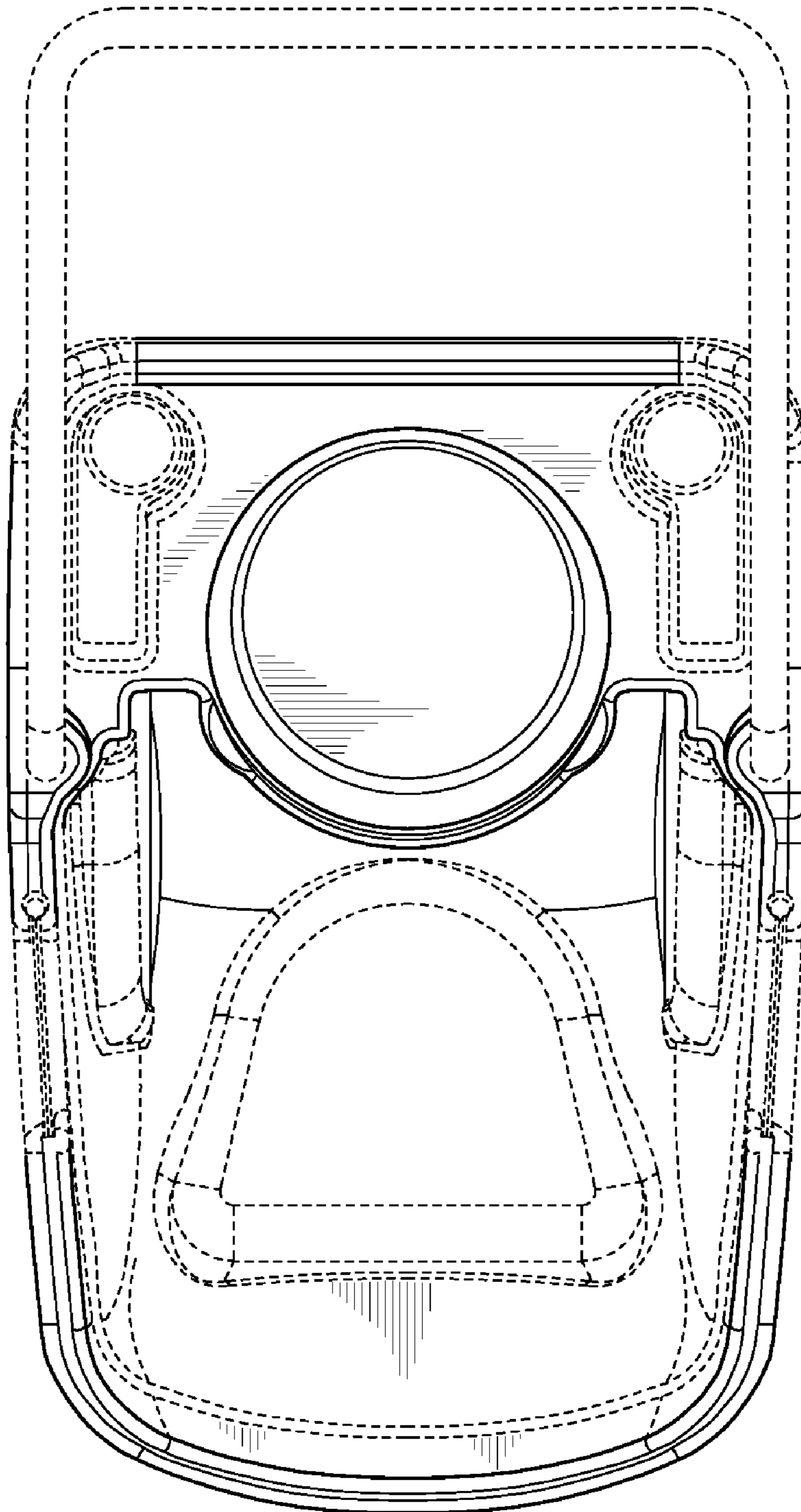
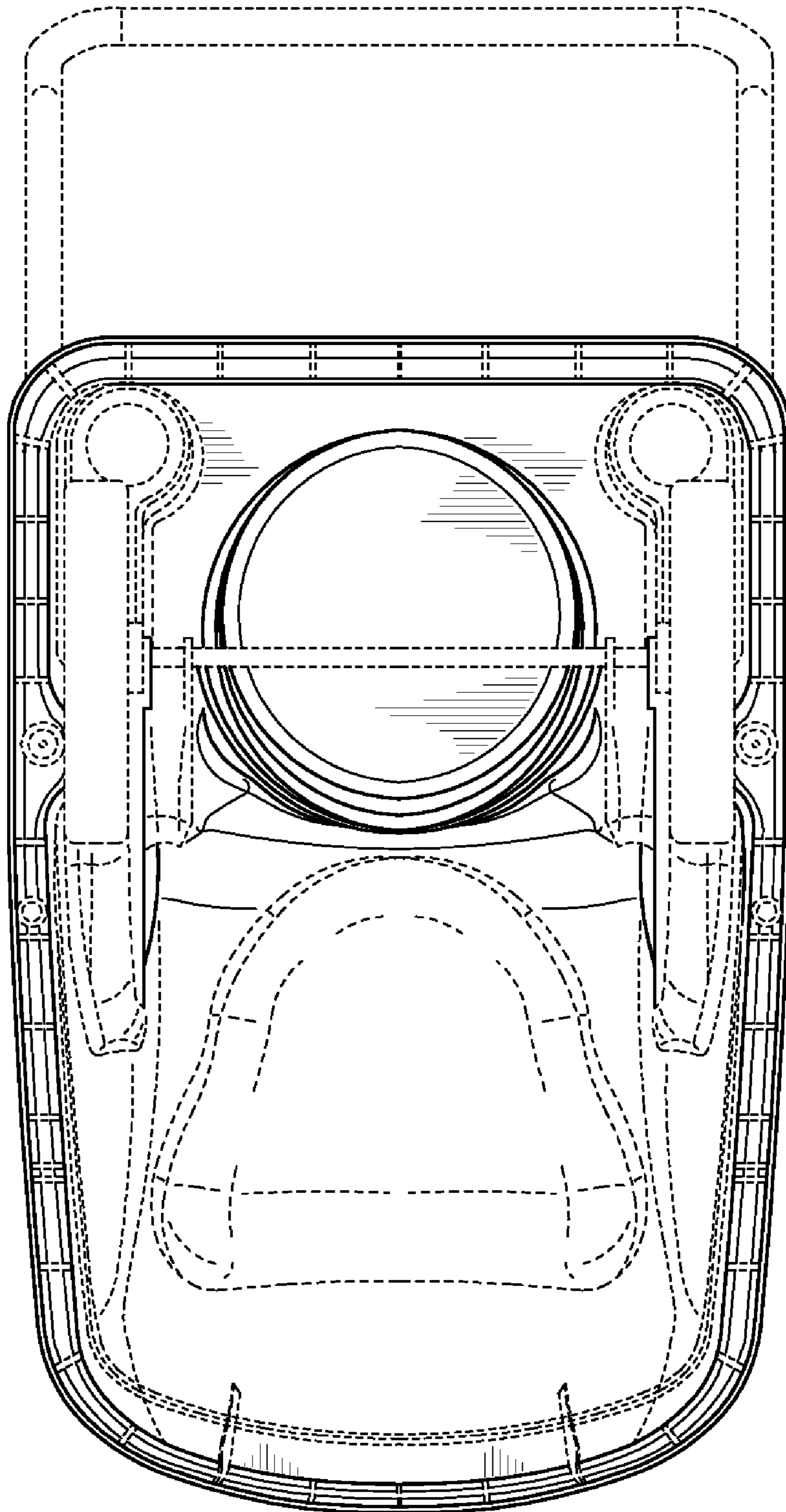


FIGURE 4



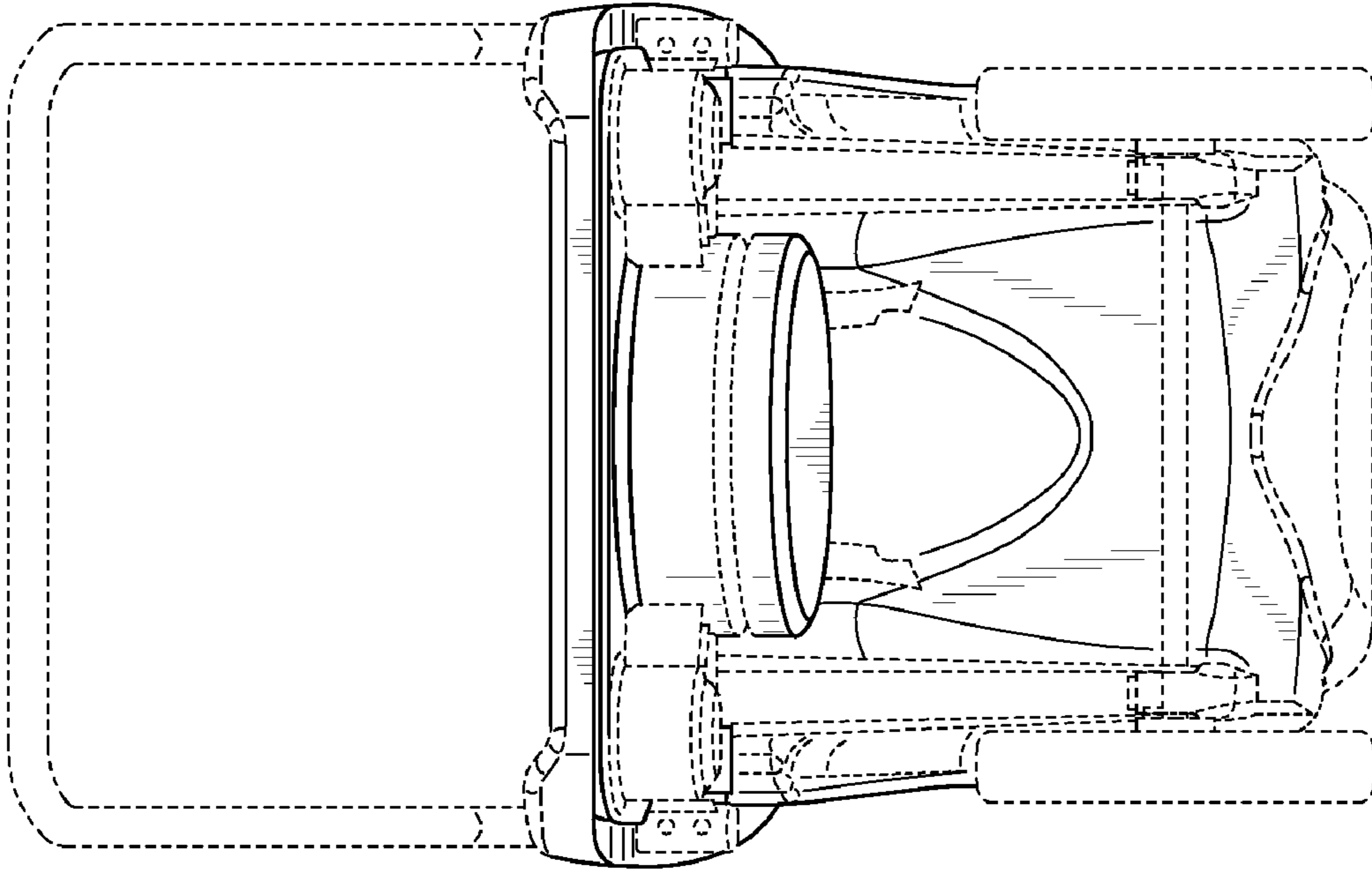


FIGURE 6

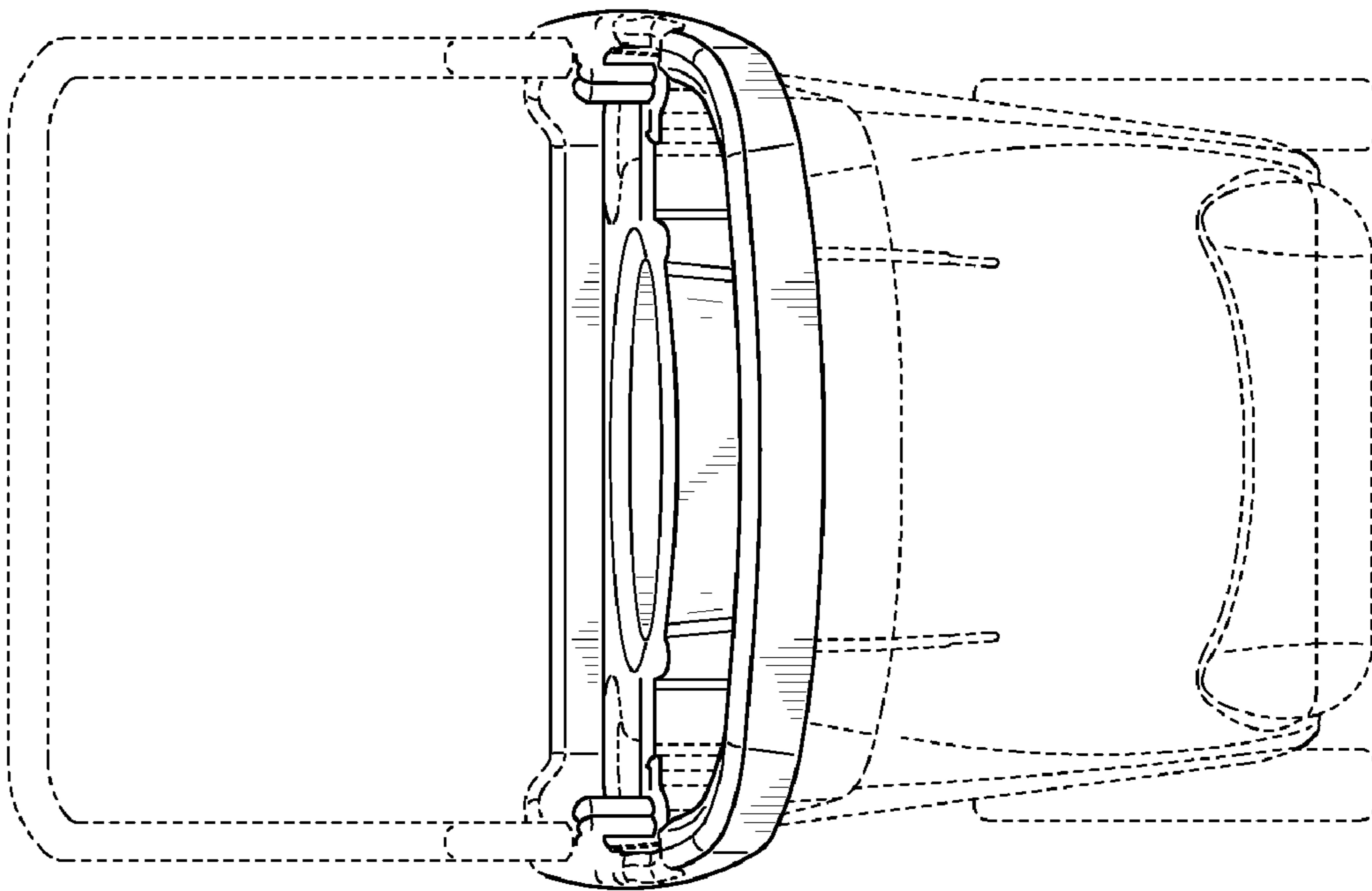


FIGURE 5