



US00D617069S

(12) **United States Design Patent**
Munson

(10) **Patent No.:** **US D617,069 S**

(45) **Date of Patent:** **** Jun. 1, 2010**

(54) **SUPPORT RACK**

D407,879 S * 4/1999 Gunawan D32/55
D599,069 S * 8/2009 Curtin D32/55

(75) Inventor: **Jeff D. Munson**, Henderson, NV (US)

* cited by examiner

(73) Assignee: **Cambro Manufacturing Company**,
Huntington Beach, CA (US)

Primary Examiner—Cynthia E Ramirez

(74) *Attorney, Agent, or Firm*—George F. Bethel

(**) Term: **14 Years**

(57) **CLAIM**

(21) Appl. No.: **29/343,813**

I claim the ornamental design for a support rack, as shown and described.

(22) Filed: **Sep. 18, 2009**

DESCRIPTION

(51) **LOC (9) Cl.** **07-05**

FIG. 1 shows a frontal perspective view of the support rack.

(52) **U.S. Cl.** **D32/55**

FIG. 2 shows a front elevation view.

(58) **Field of Classification Search** D32/55,
D32/56; 220/575, 487; 211/41.3, 85.25;
4/656

FIG. 3 shows a left side elevation view.

FIG. 4 shows a top plan view.

See application file for complete search history.

FIG. 5 shows a right side elevation view.

FIG. 6 shows a rear elevation view; and,

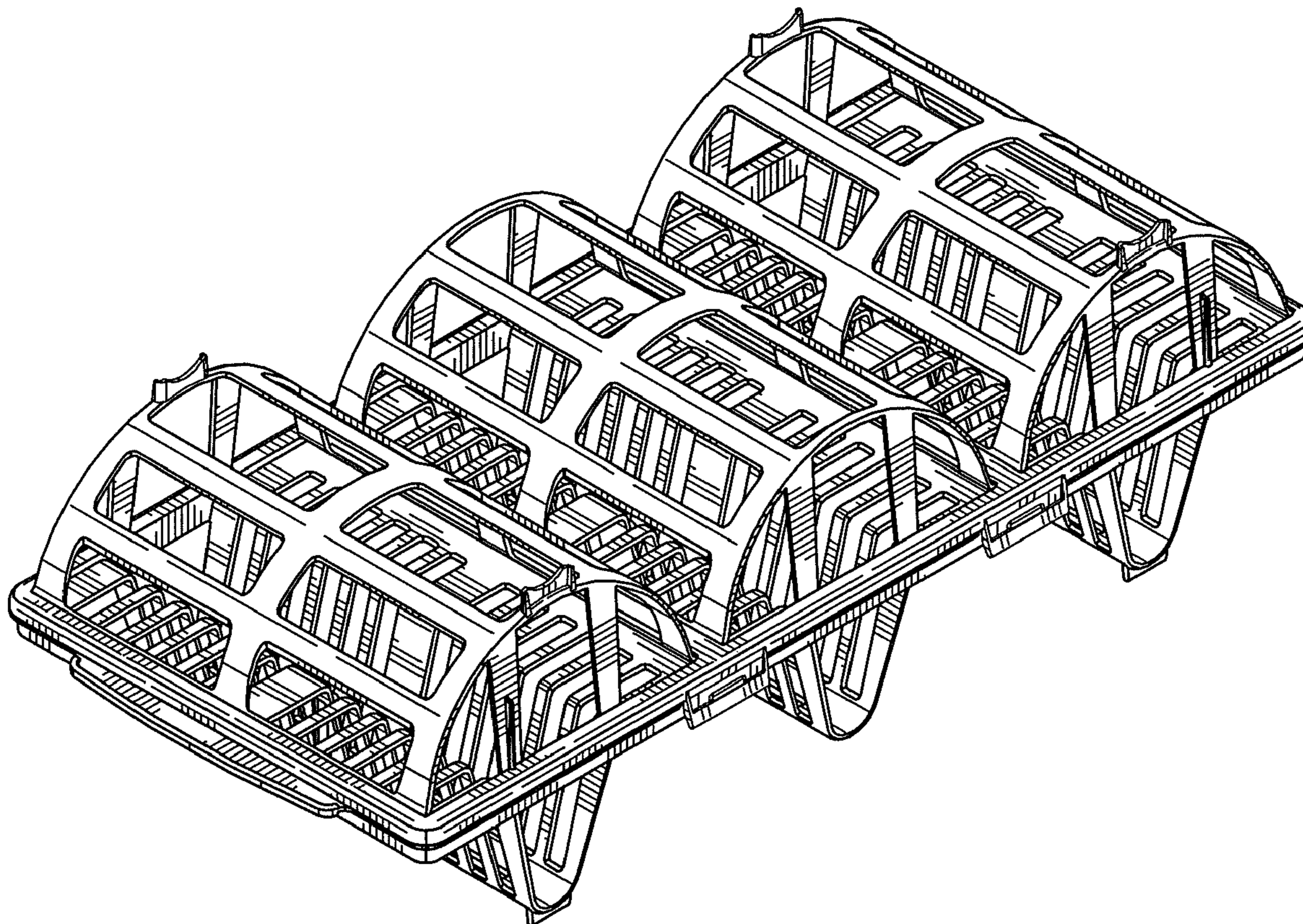
FIG. 7 shows a bottom plan view.

(56) **References Cited**

U.S. PATENT DOCUMENTS

D258,928 S * 4/1981 Buchsteiner nee Fetzer . D32/55

1 Claim, 3 Drawing Sheets



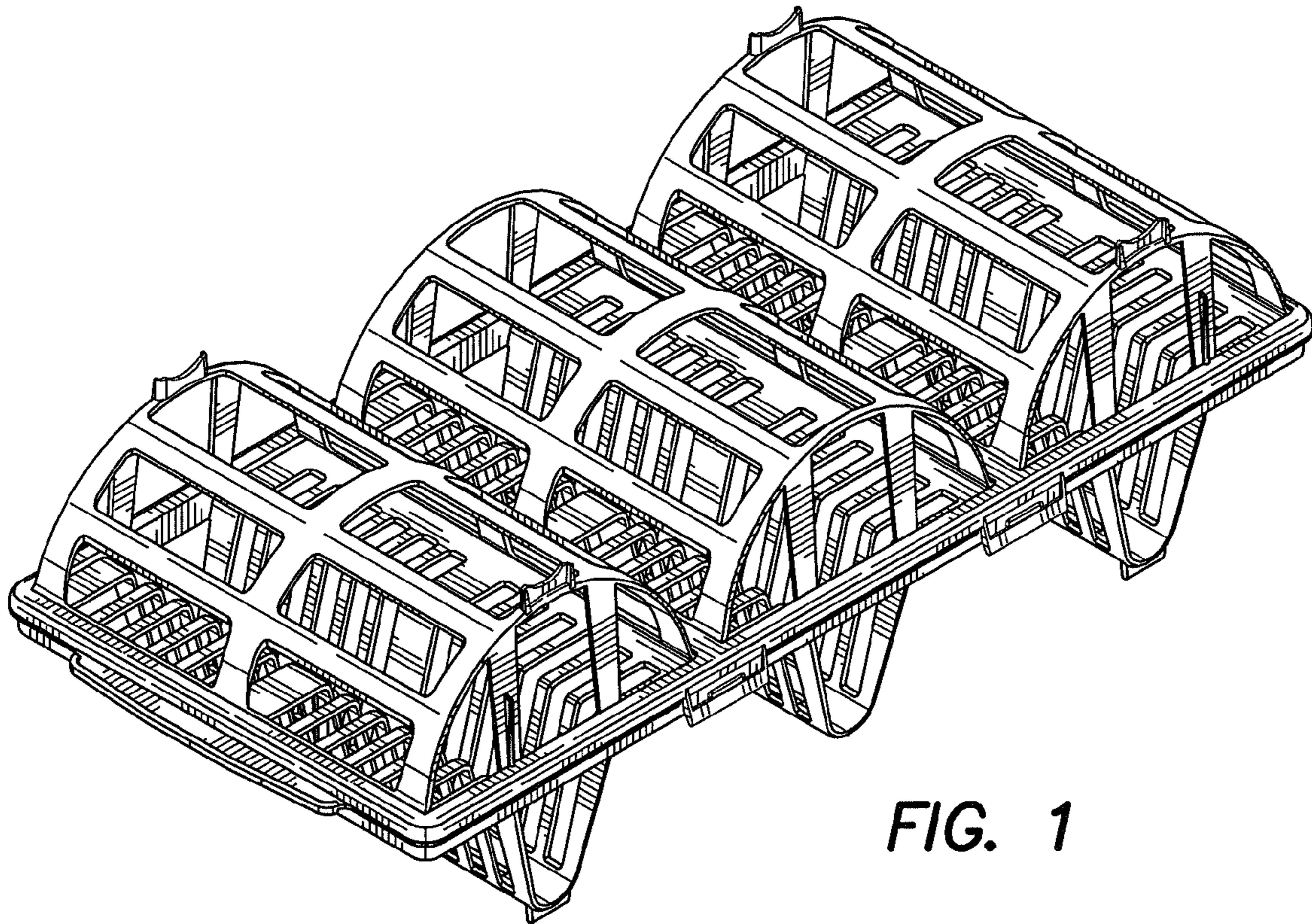


FIG. 1

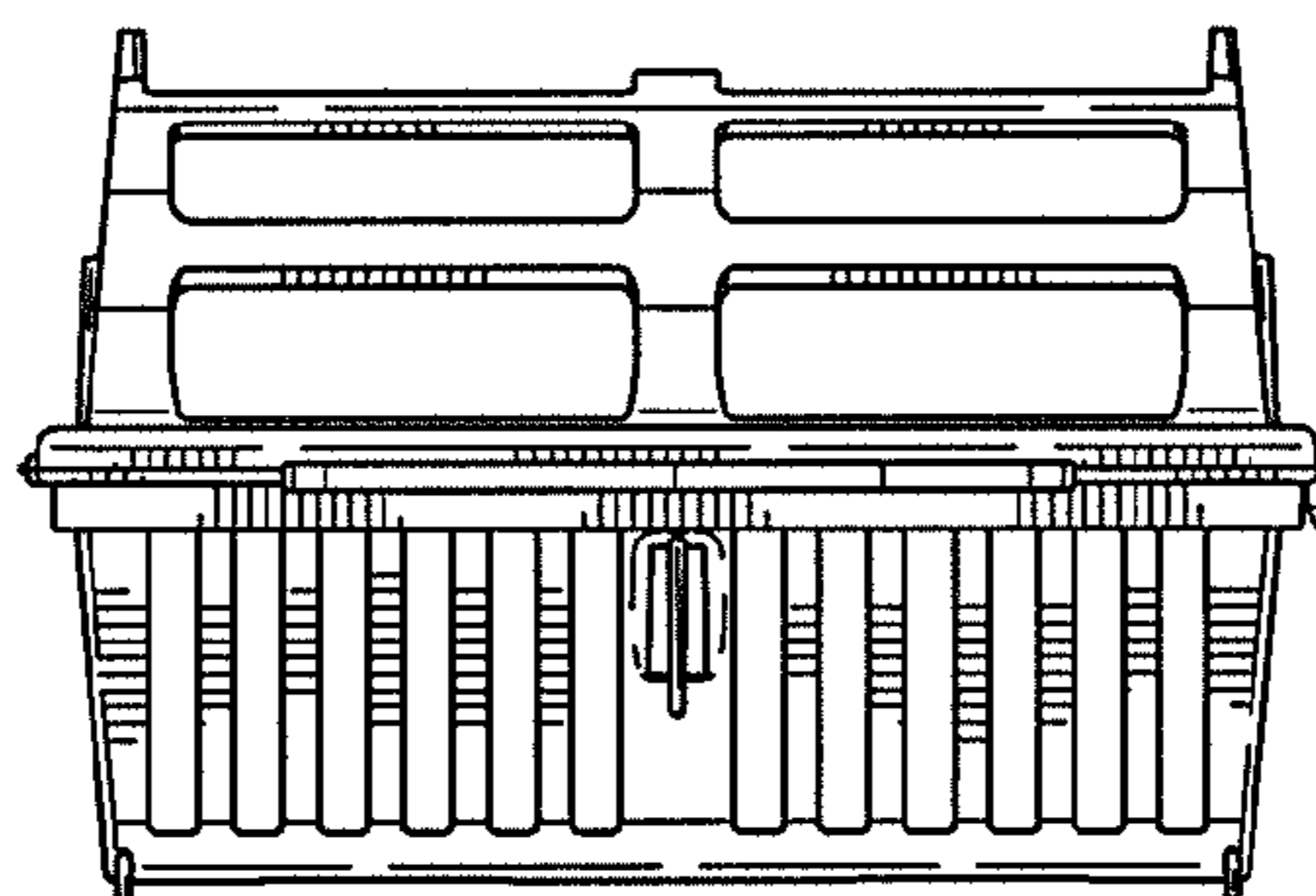


FIG. 3

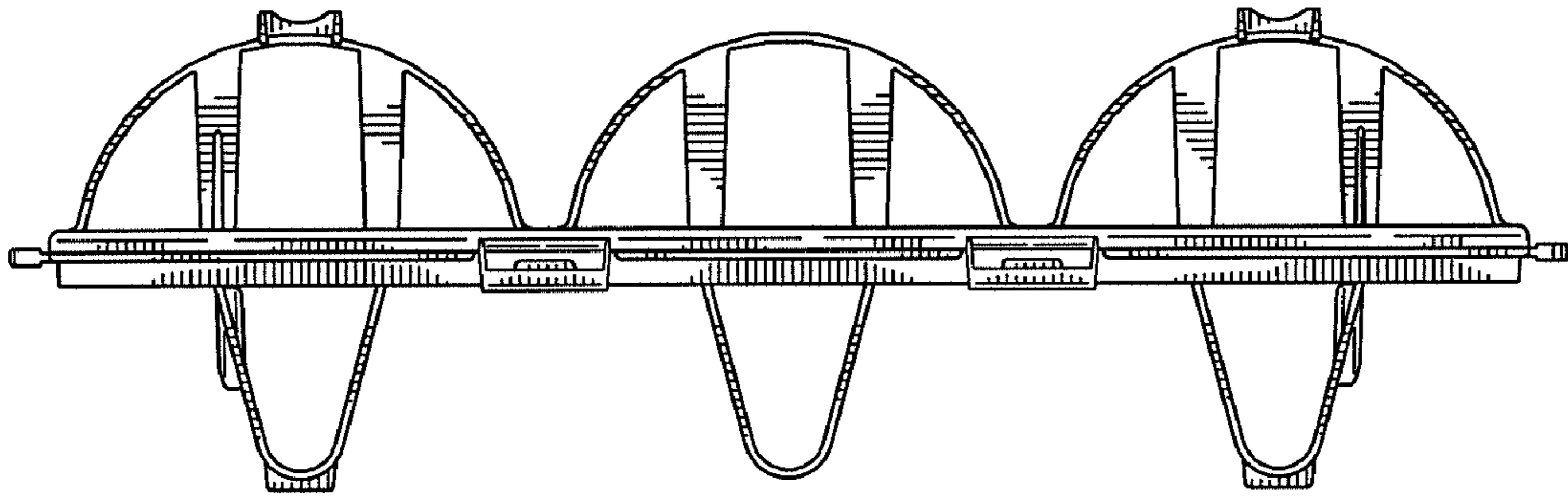


FIG. 2

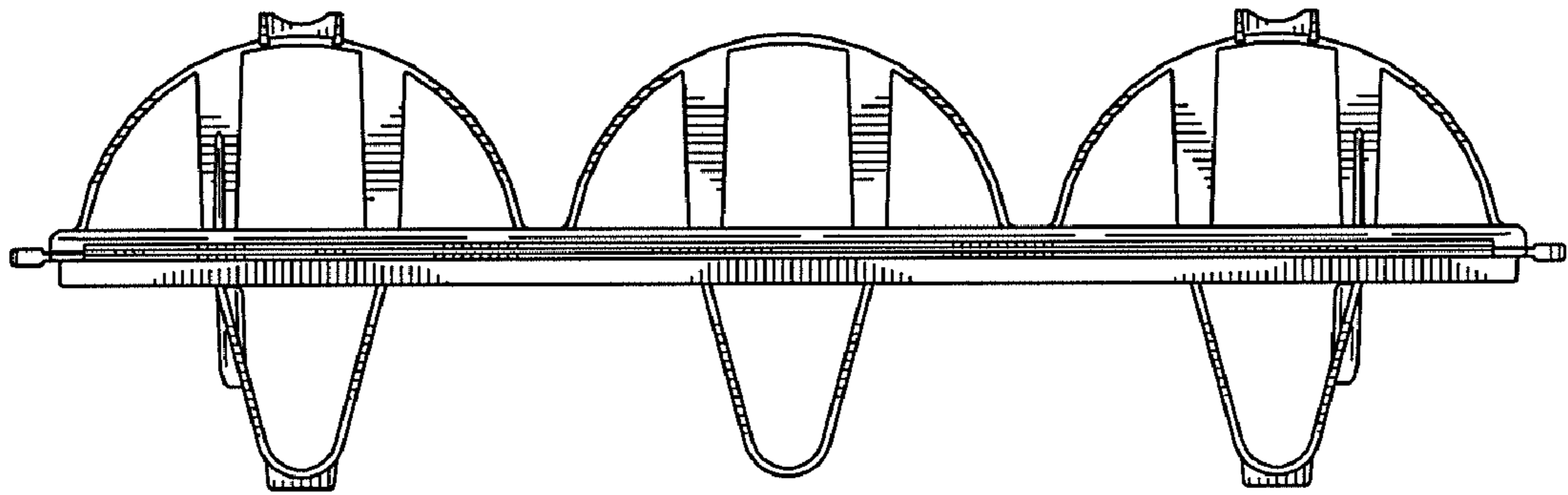


FIG. 6

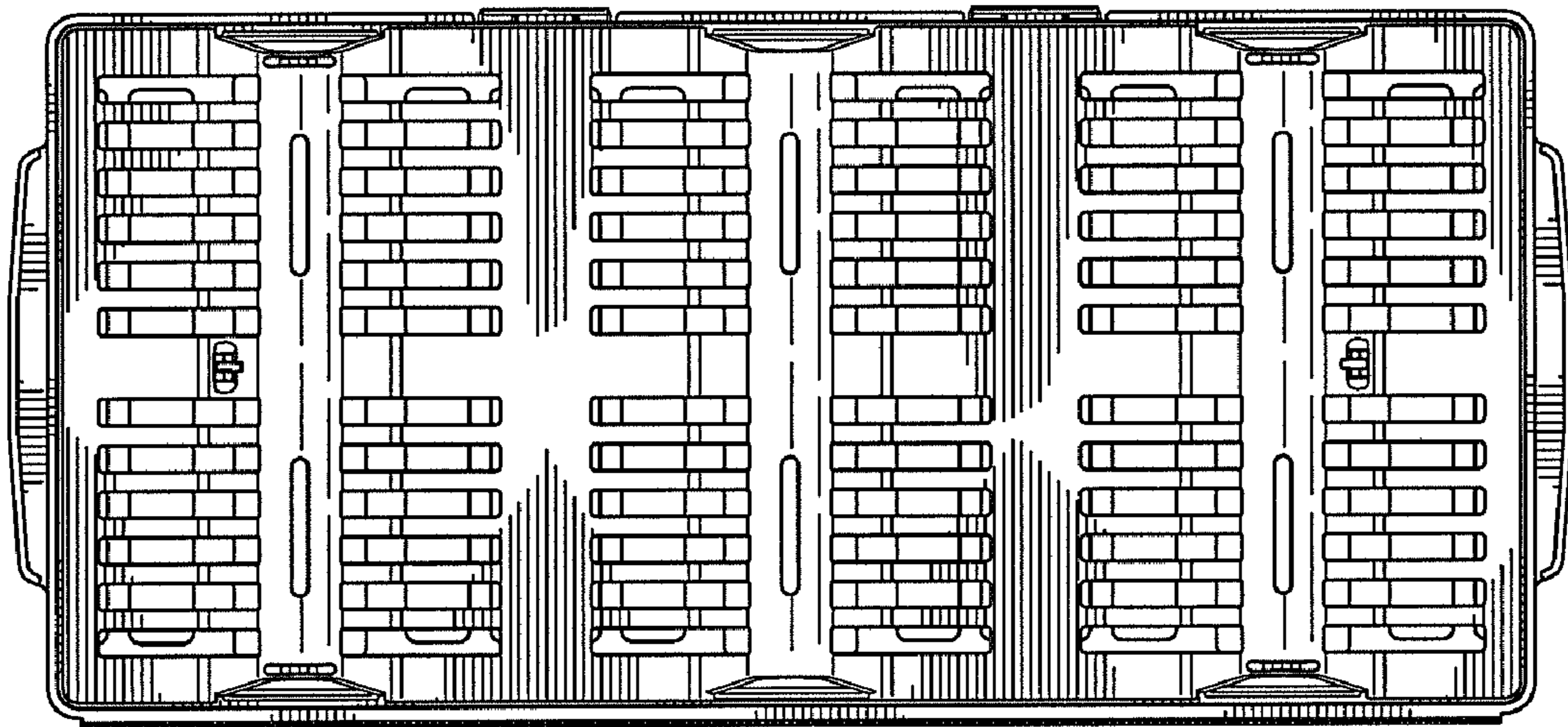


FIG. 7

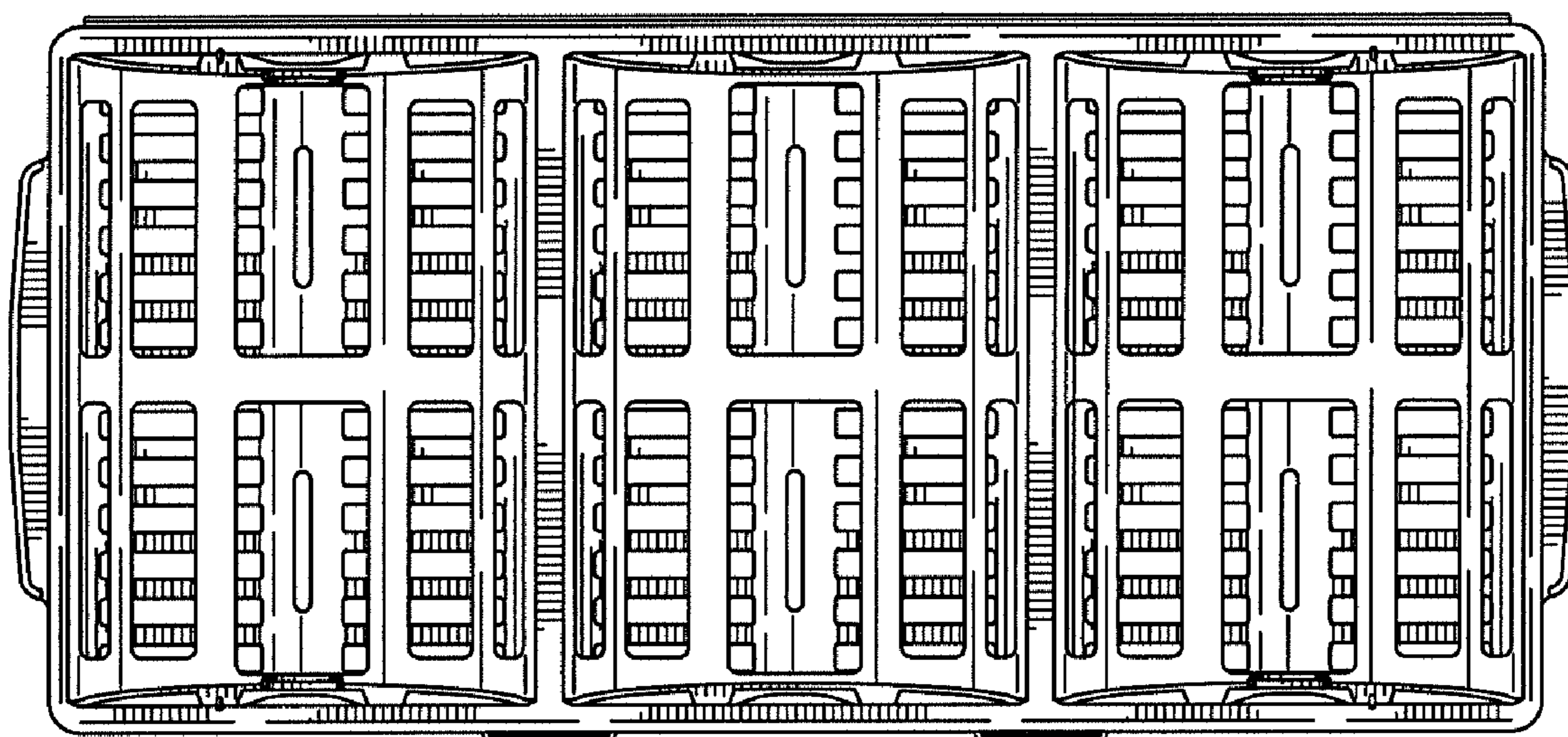


FIG. 4

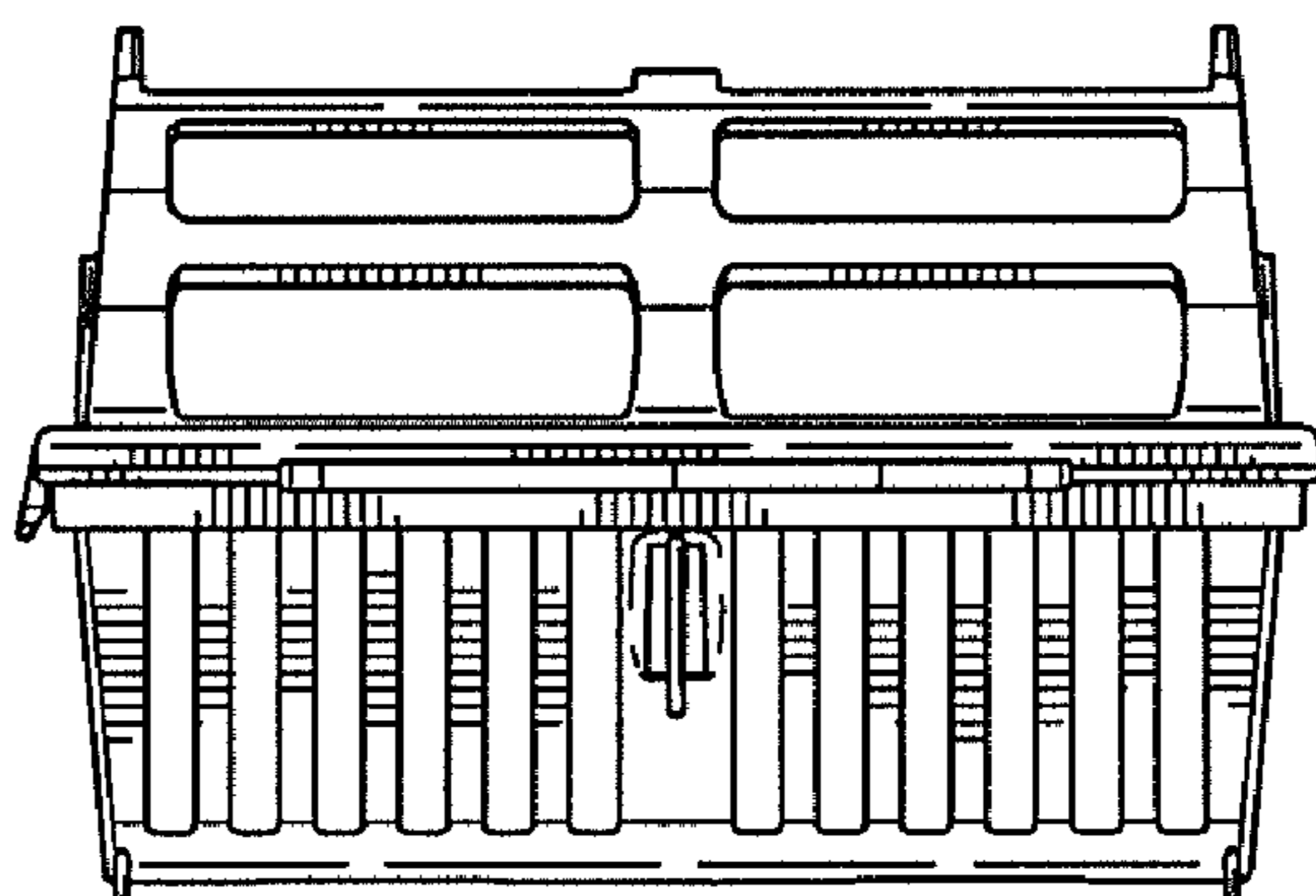


FIG. 5