



US00D617067S

(12) **United States Design Patent**
Renner

(10) **Patent No.:** **US D617,067 S**
(45) **Date of Patent:** **** Jun. 1, 2010**

(54) **BUCKET**

(75) Inventor: **Reinhard Renner**, Esslingen (DE)

(73) Assignee: **Leifheit AG**, Nassau/Lahn (DE)

(**) Term: **14 Years**

(21) Appl. No.: **29/341,190**

(22) Filed: **Jul. 31, 2009**

(30) **Foreign Application Priority Data**

Feb. 2, 2009 (EM) 1080683

(51) **LOC (9) Cl.** **07-07**

(52) **U.S. Cl.** **D32/53**

(58) **Field of Classification Search** D32/53,
D32/53.1, 54; 220/904; 15/260, 263, 264,
15/257.06

See application file for complete search history.

(56) **References Cited**

U.S. PATENT DOCUMENTS

D222,892 S * 1/1972 Gunfaus D32/53

D396,914 S * 8/1998 Pepper et al. D32/53

D417,935 S * 12/1999 Primeau D32/53
6,065,175 A * 5/2000 Tejerina 15/116.1
D499,223 S * 11/2004 Libman et al. D32/53
D516,763 S * 3/2006 Escarpa Gil D32/53
D518,262 S * 3/2006 Jurgens D32/53
7,318,247 B2 * 1/2008 Libman et al. 15/260

* cited by examiner

Primary Examiner—Robin V Webster

(74) *Attorney, Agent, or Firm*—Leydig, Voit & Mayer

(57) **CLAIM**

The ornamental design for bucket, as shown and described.

DESCRIPTION

FIG. 1 is a front, top, and right side perspective view of the bucket showing my new design;

FIG. 2 is a top view thereof;

FIG. 3 is a left side view thereof, the right side view being a mirror image of the left view;

FIG. 4 is a front view thereof;

FIG. 5 is a bottom view thereof; and,

FIG. 6 is a back view thereof.

1 Claim, 6 Drawing Sheets

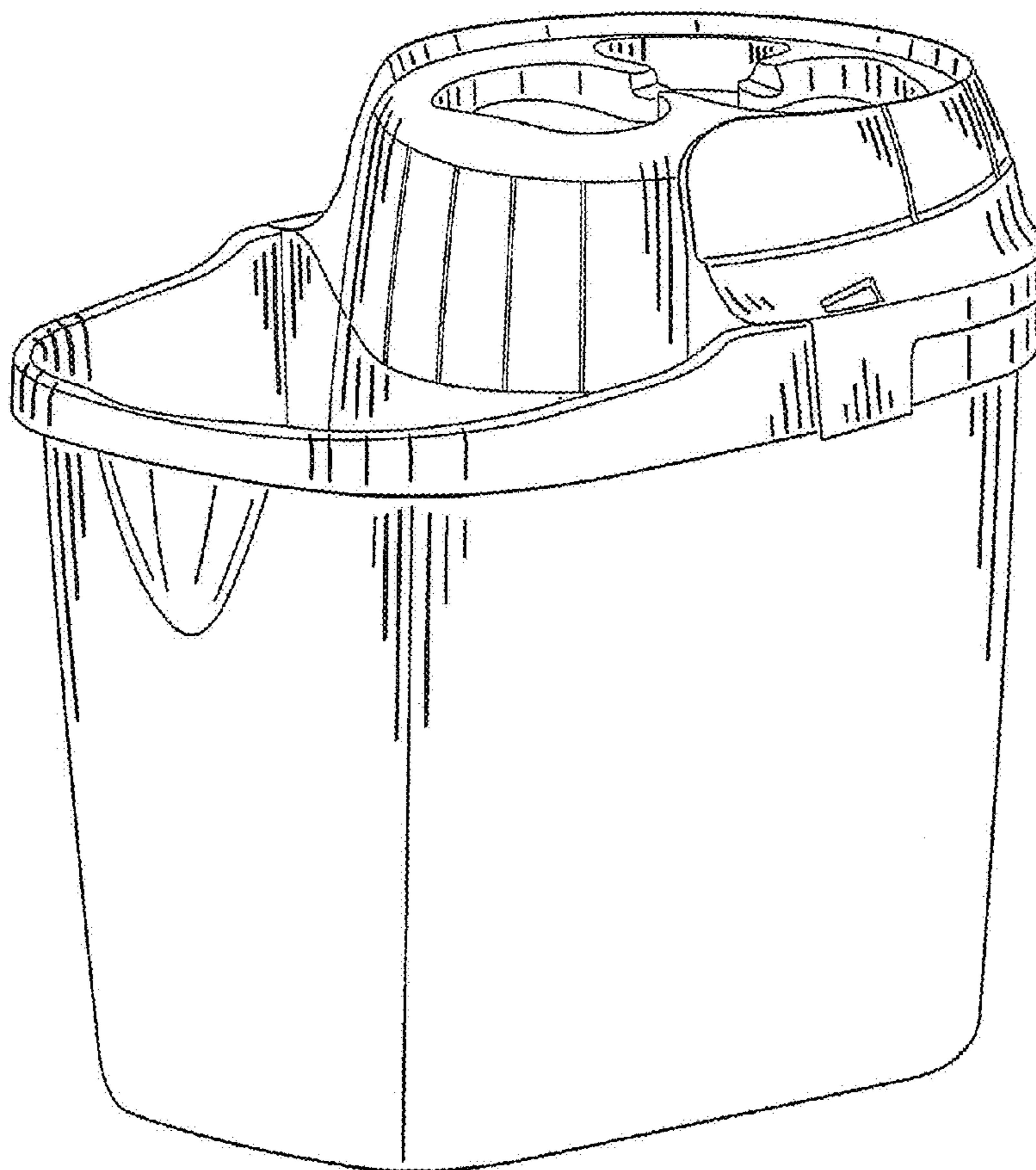


Fig.1

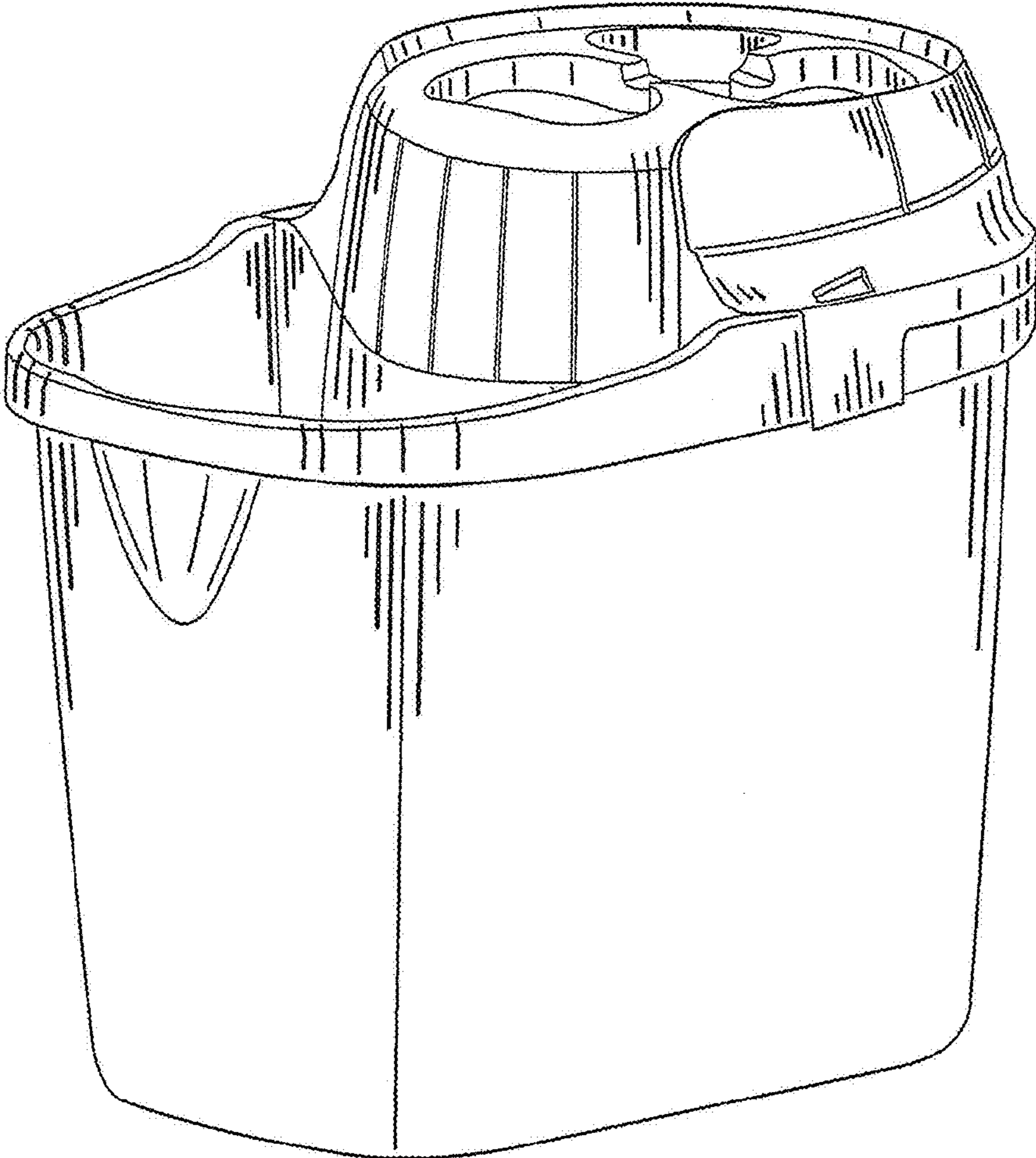


Fig. 2

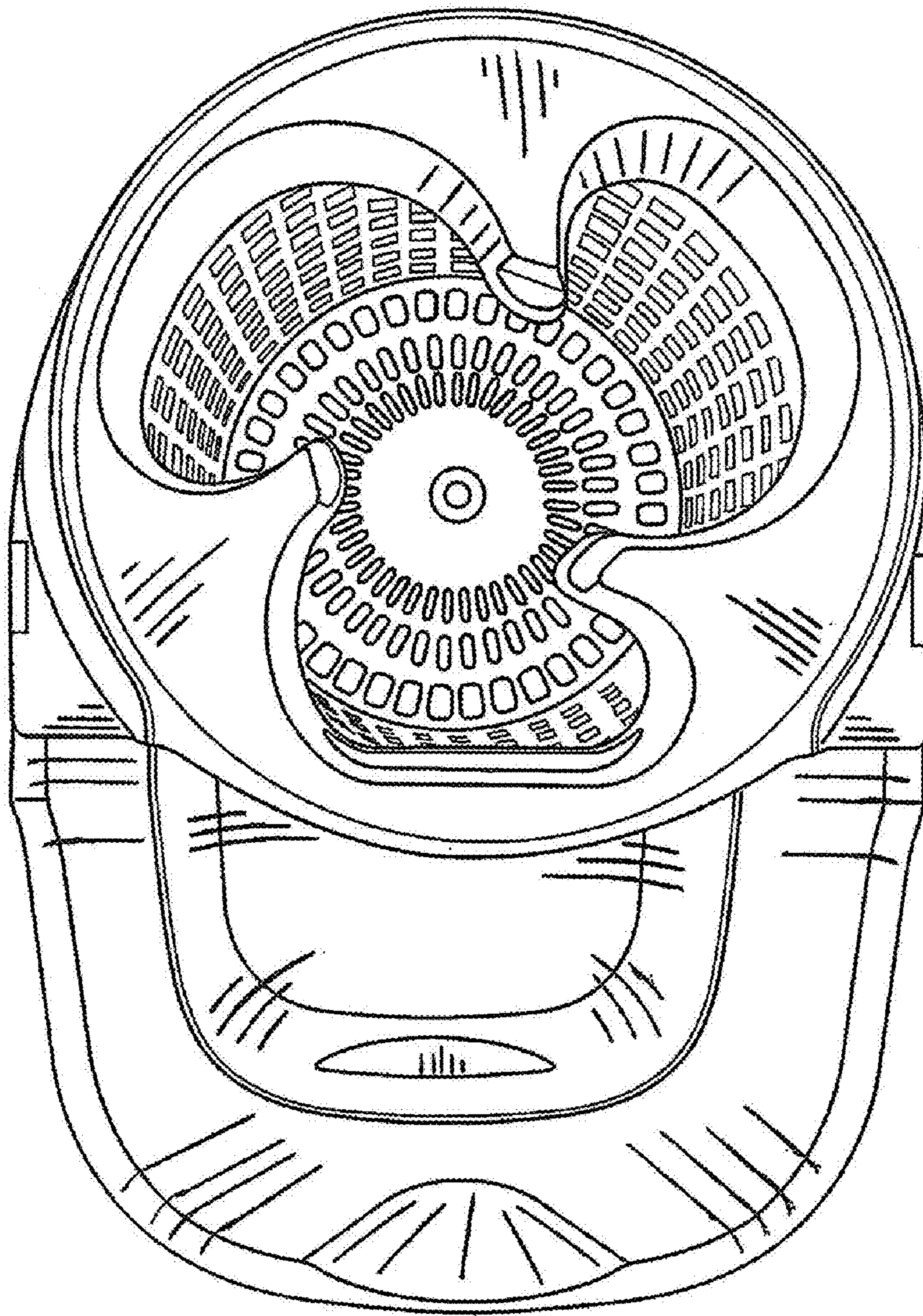


Fig. 3

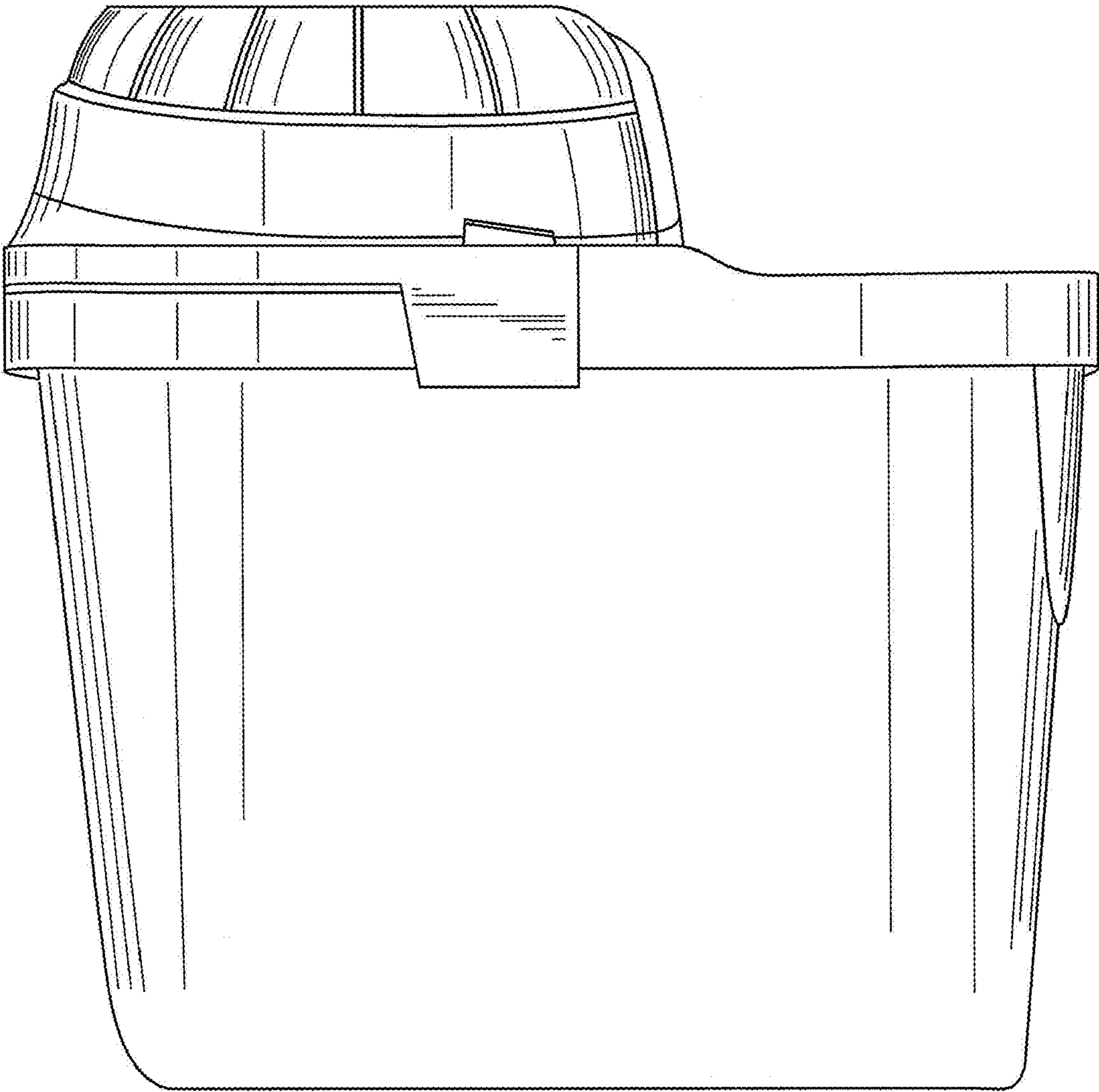


Fig.4

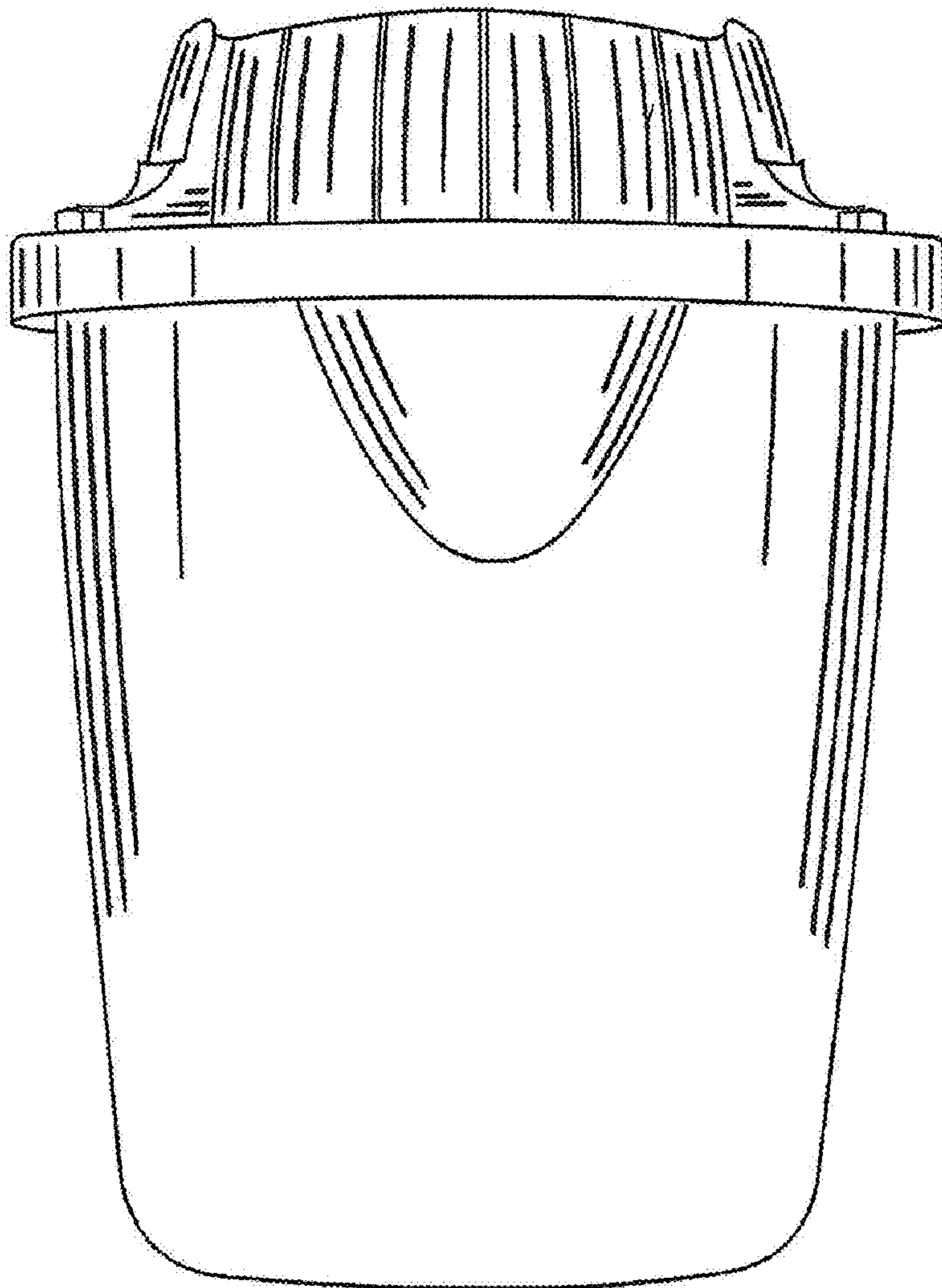


Fig.5

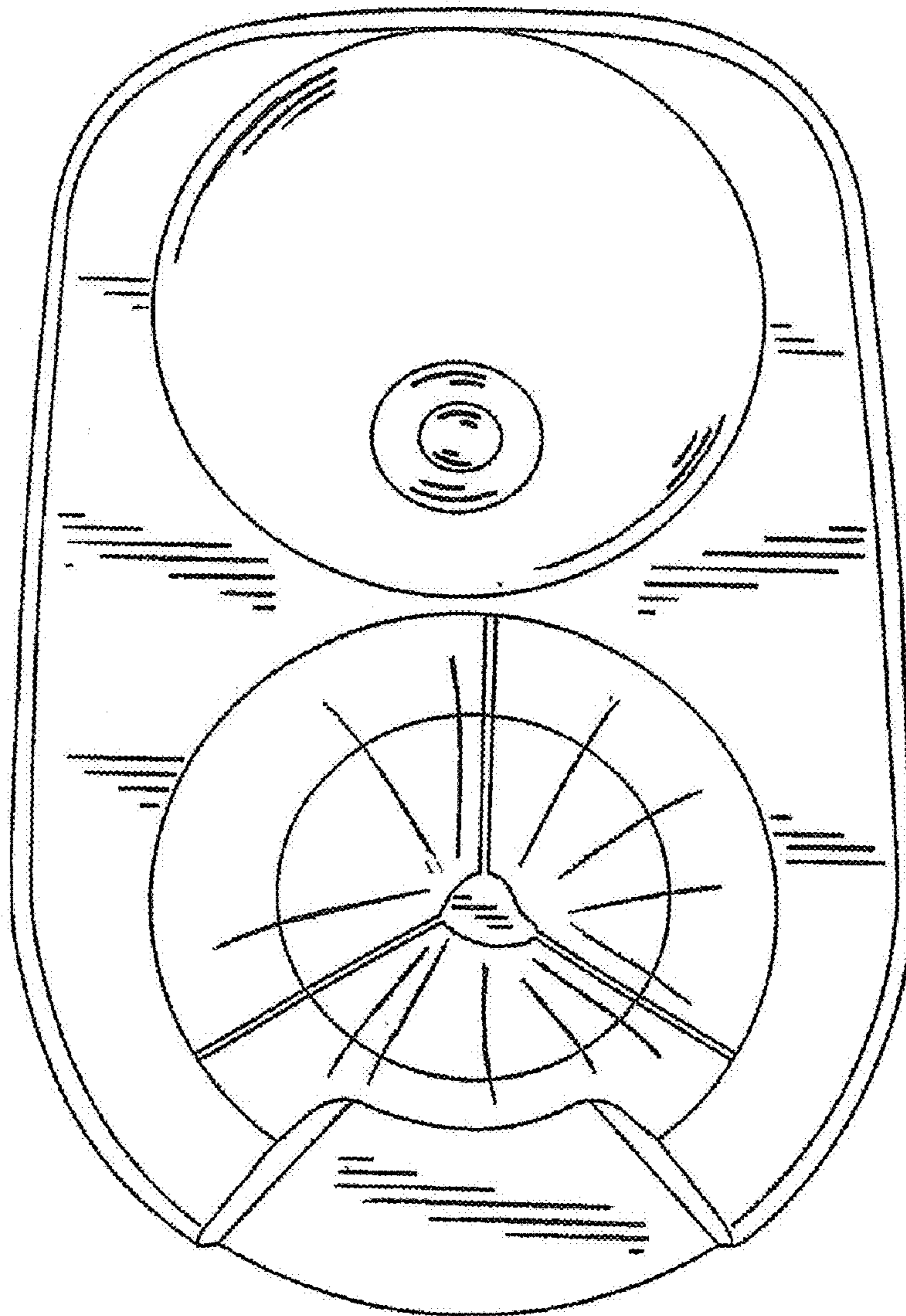


Fig. 6

