



US00D617066S

(12) **United States Design Patent**  
**Koenig et al.**

(10) **Patent No.:** **US D617,066 S**  
(45) **Date of Patent:** **\*\* Jun. 1, 2010**

(54) **HEAD FOR CLEANING IMPLEMENT**

U.S. Appl. No. 29/310,498, filed Aug. 22, 2008, Koenig et al.

(75) Inventors: **John William Koenig**, Cincinnati, OH (US); **Michael Thomas Roller**, Covington, KY (US); **Robert Howard Roth**, Amberly, OH (US)

\* cited by examiner

*Primary Examiner*—Nanda Bondade  
(74) *Attorney, Agent, or Firm*—Larry L. Huston; Leonard W. Lewis; Steven W. Miller

(73) Assignee: **The Procter & Gamble Company**, Cincinnati, OH (US)

(57) **CLAIM**

(\*\*) Term: **14 Years**

The ornamental design for a head for cleaning implement, as shown and described.

(21) Appl. No.: **29/310,517**

**DESCRIPTION**

(22) Filed: **Aug. 22, 2008**

FIG. 1 is a perspective view of a first embodiment of the head for cleaning implement embodying our new design;

(51) **LOC (9) Cl.** ..... **04-01**

FIG. 2 is a first side view thereof;

(52) **U.S. Cl.** ..... **D32/50**

FIG. 3 is an opposite side view thereof;

(58) **Field of Classification Search** ..... D32/40,  
D32/44-45, 50, 51; 15/116.1, 116.2, 119.2,  
15/147.1, 147.2, 150, 208, 209.1, 210.1,  
15/228; 401/137-140

FIG. 4 is a front view thereof;

FIG. 5 is a back view thereof;

FIG. 6 is a top view thereof;

FIG. 7 is a bottom view thereof;

See application file for complete search history.

FIG. 8 is a perspective view of a second embodiment of the head for cleaning implement embodying our new design;

(56) **References Cited**

**U.S. PATENT DOCUMENTS**

4,843,674 A \* 7/1989 Jones ..... 15/147.1  
D358,238 S \* 5/1995 Barnett ..... D32/50  
D427,401 S \* 6/2000 Kunkler ..... D32/50  
6,076,802 A 6/2000 Maier  
D563,068 S \* 2/2008 Jiang et al. .... D32/50  
D564,164 S \* 3/2008 Harper et al. .... D32/51

FIG. 9 is a first side view thereof;

FIG. 10 is an opposite side view thereof;

FIG. 11 is a front view thereof;

FIG. 12 is a back view thereof;

FIG. 13 is a top view thereof; and,

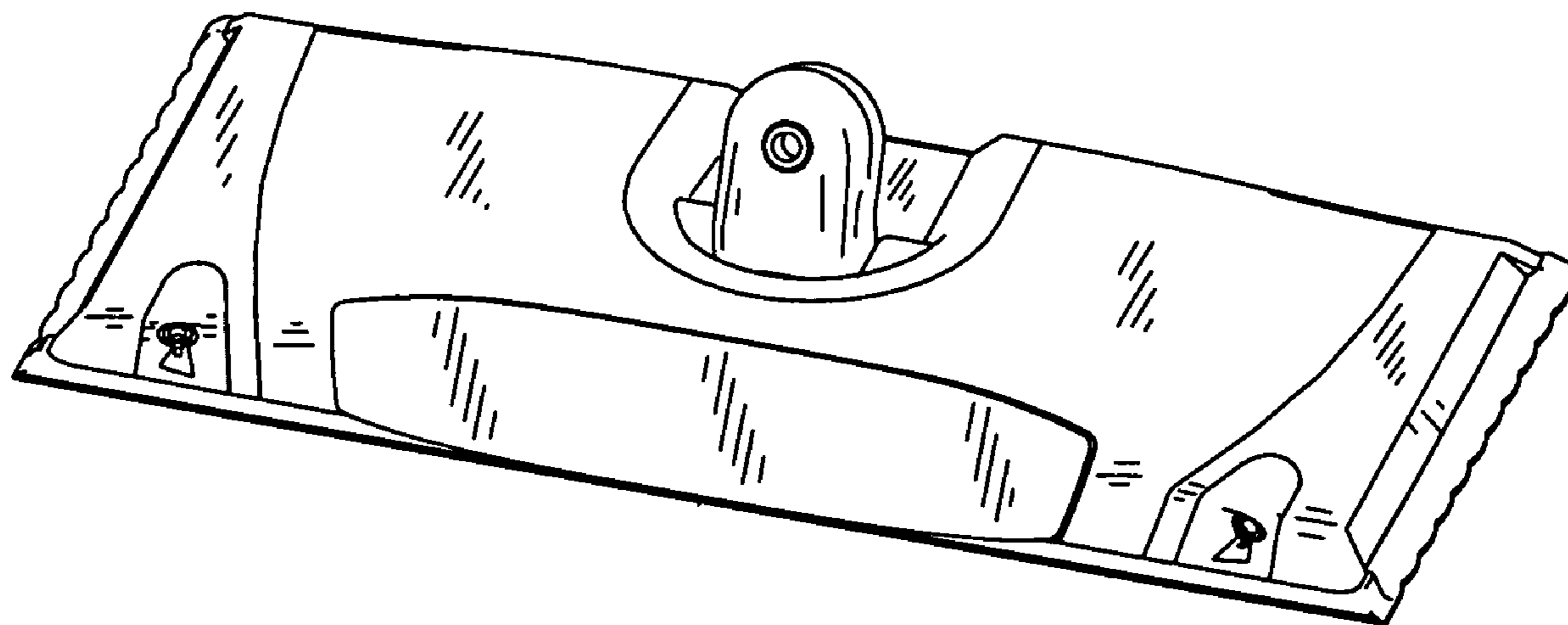
FIG. 14 is a bottom view thereof.

**OTHER PUBLICATIONS**

U.S. Appl. No. 29/310,504, filed Aug. 22, 2008, Koenig et al.

U.S. Appl. No. 29/310,506, filed Aug. 22, 2008, Koenig et al.

**1 Claim, 14 Drawing Sheets**



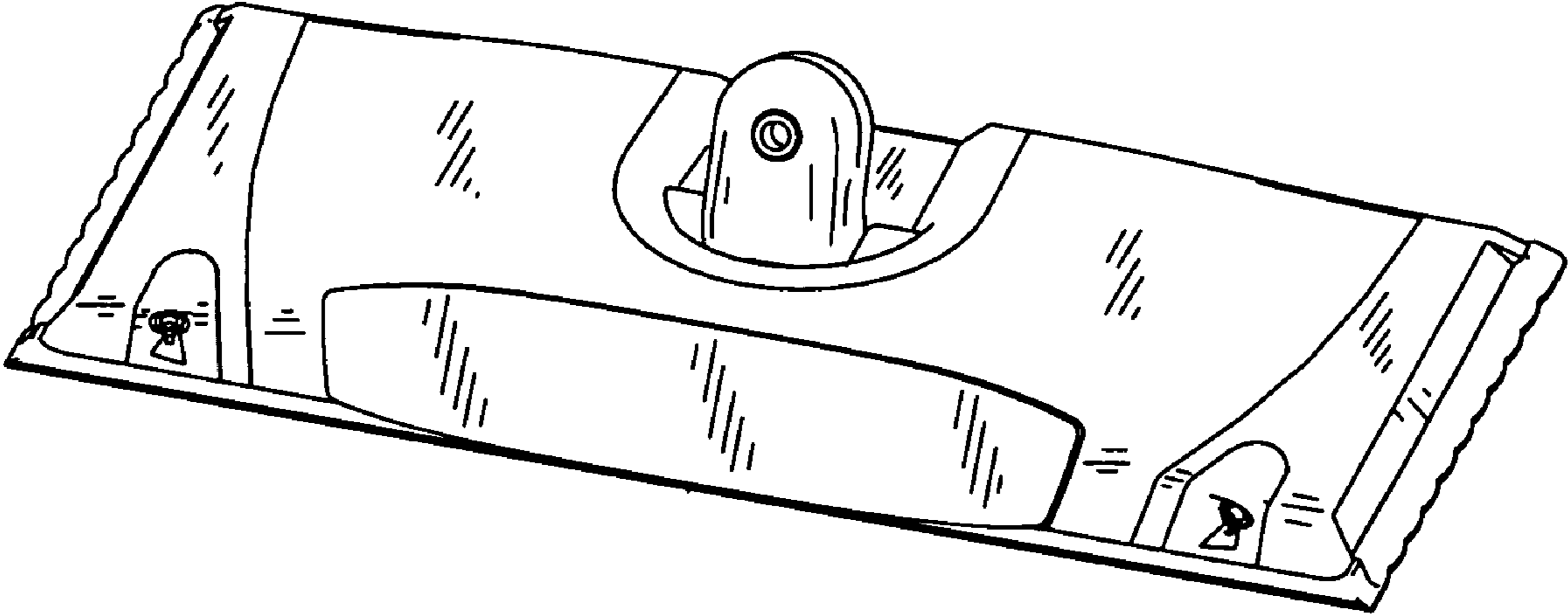


FIG. 1

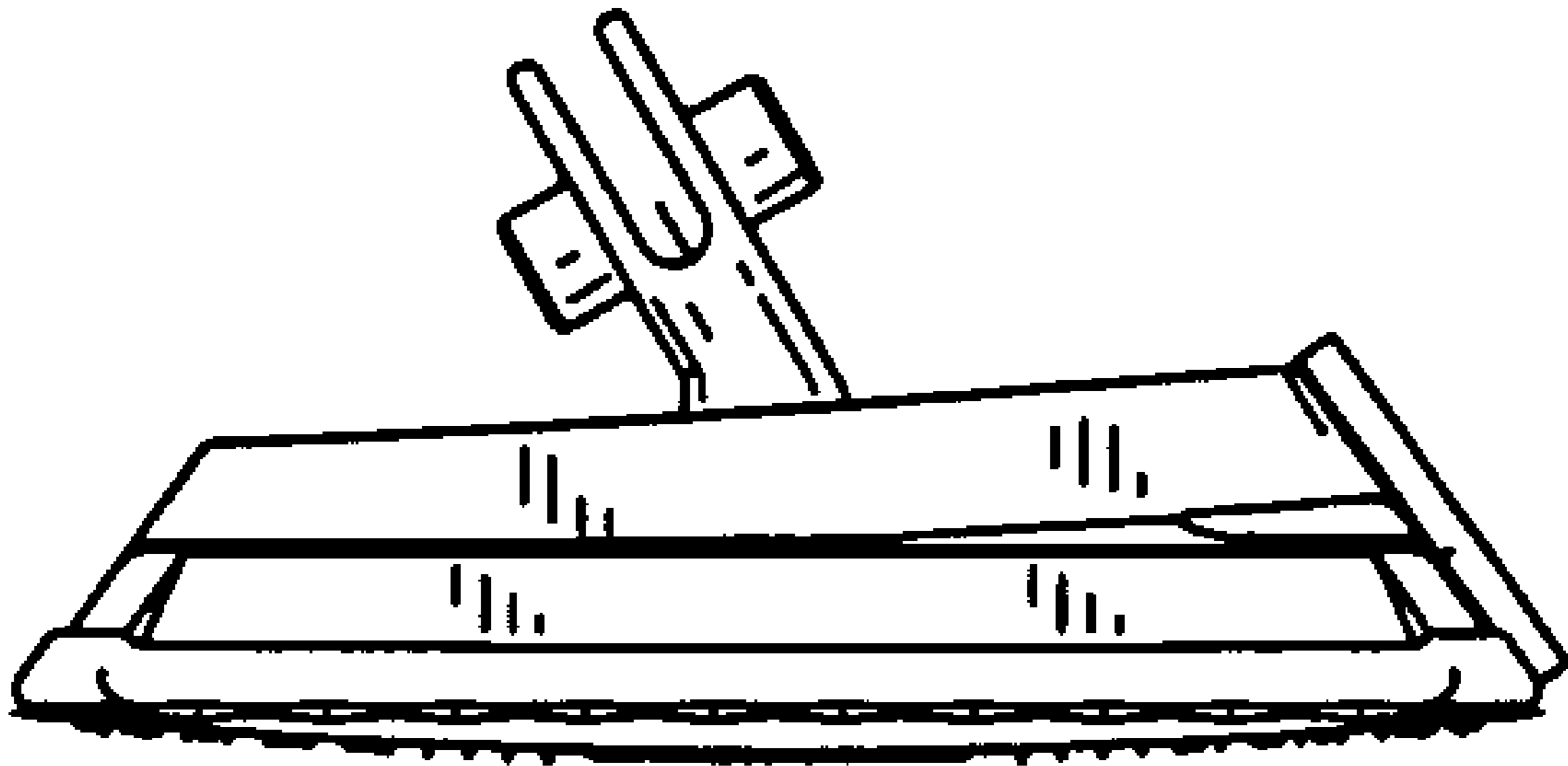


FIG. 2

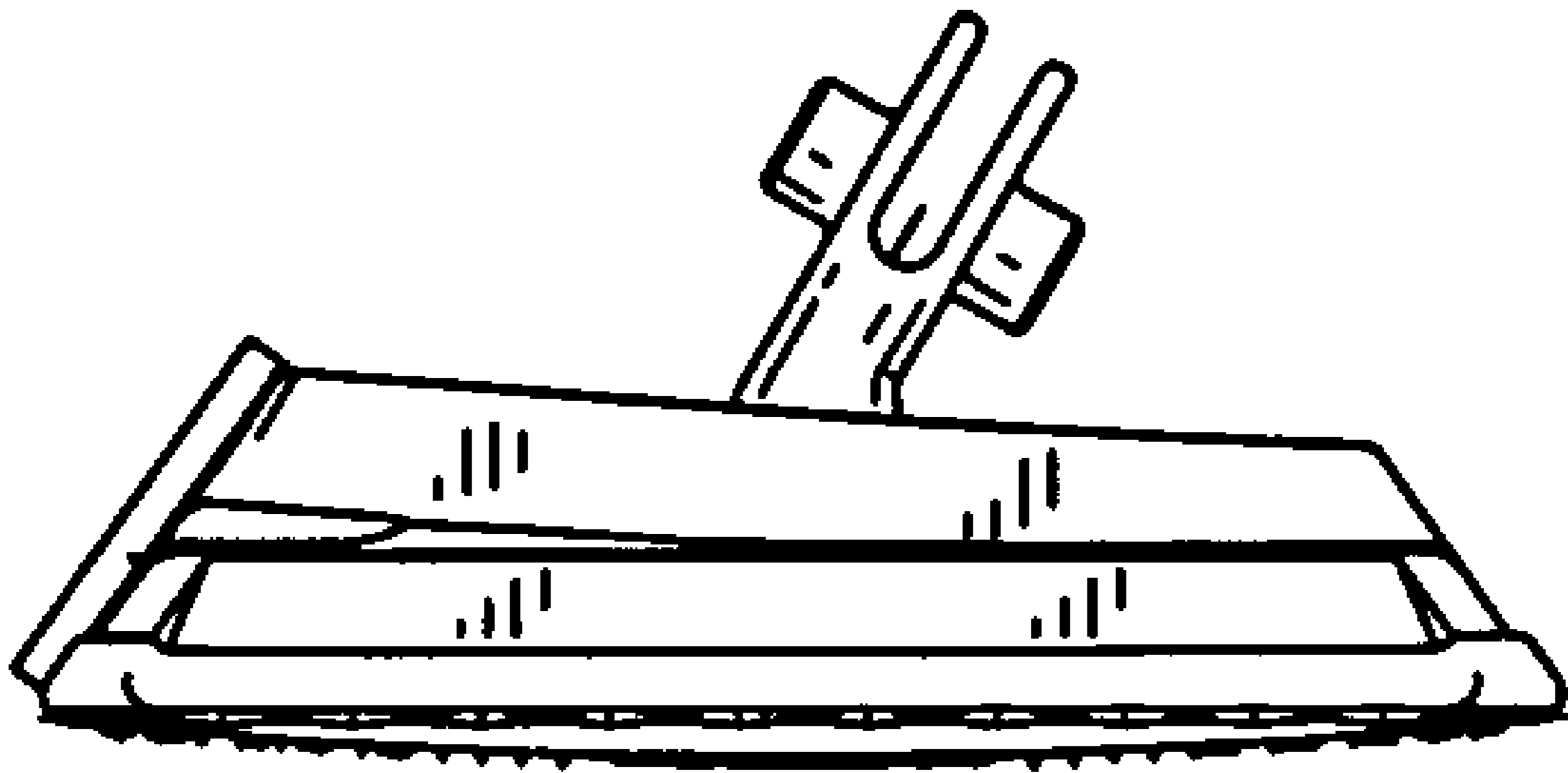


FIG. 3

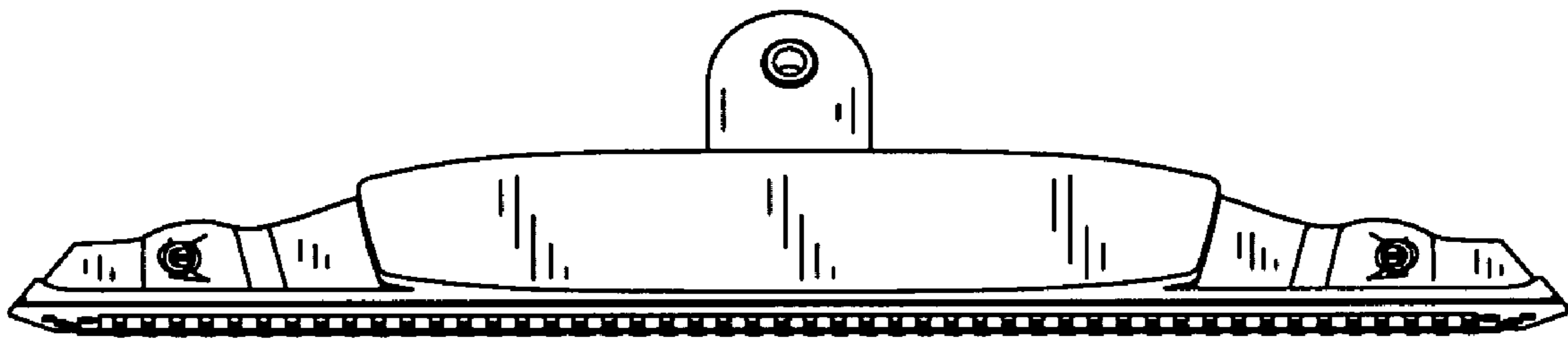


FIG. 4

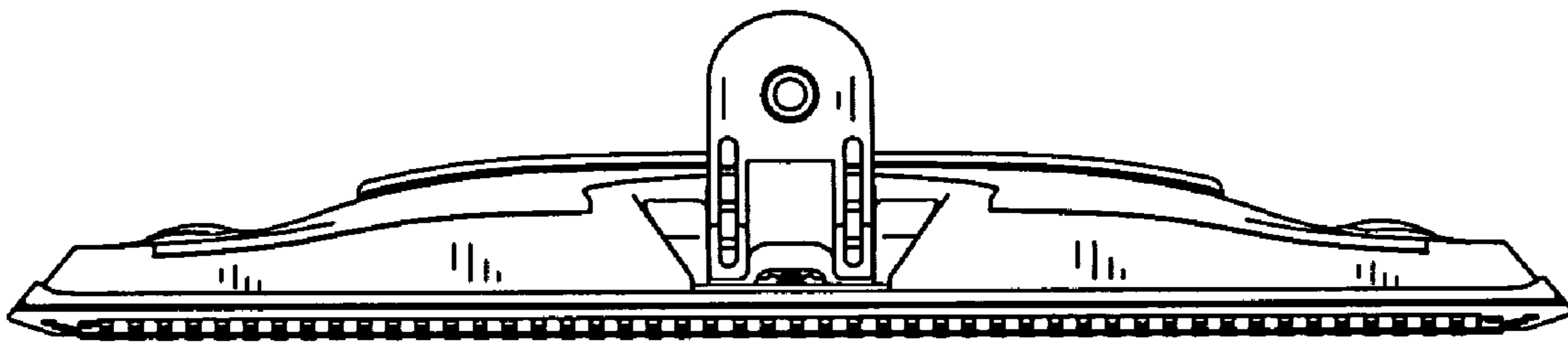


FIG. 5

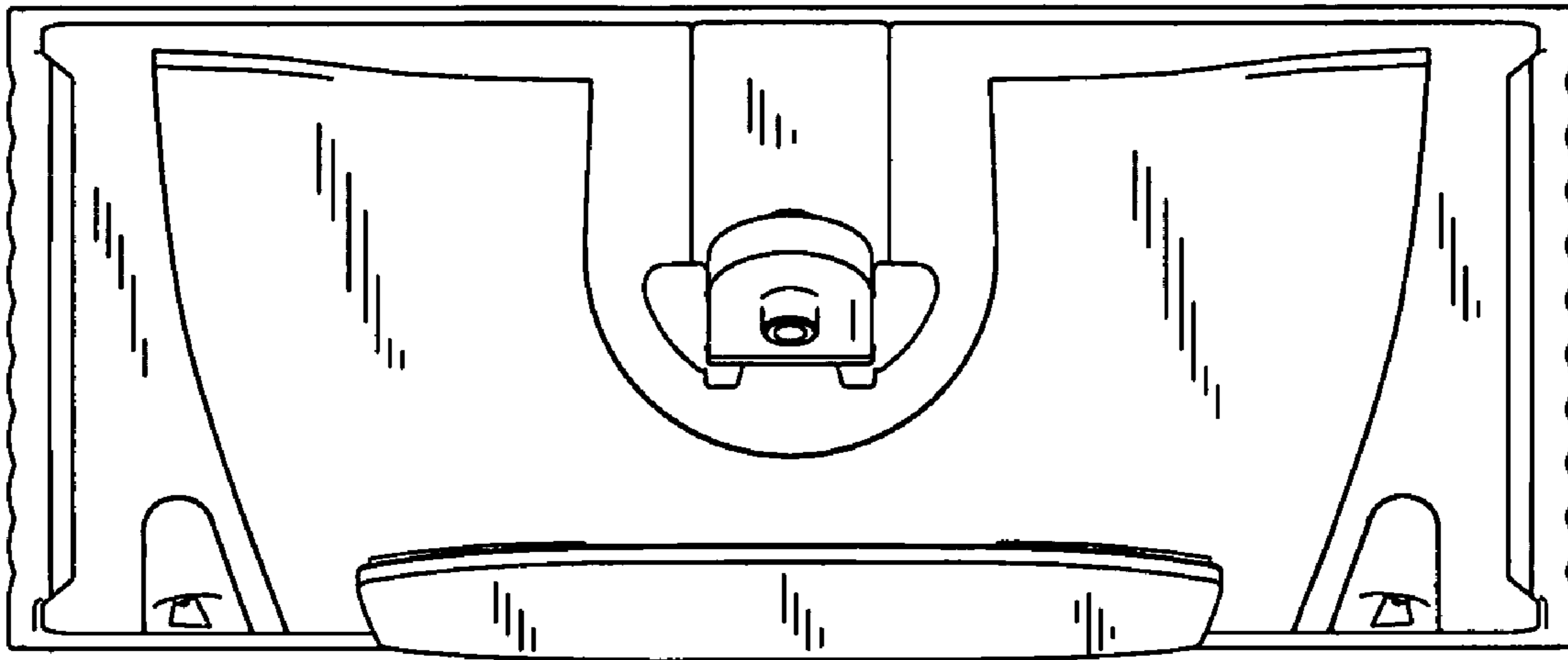


FIG. 6

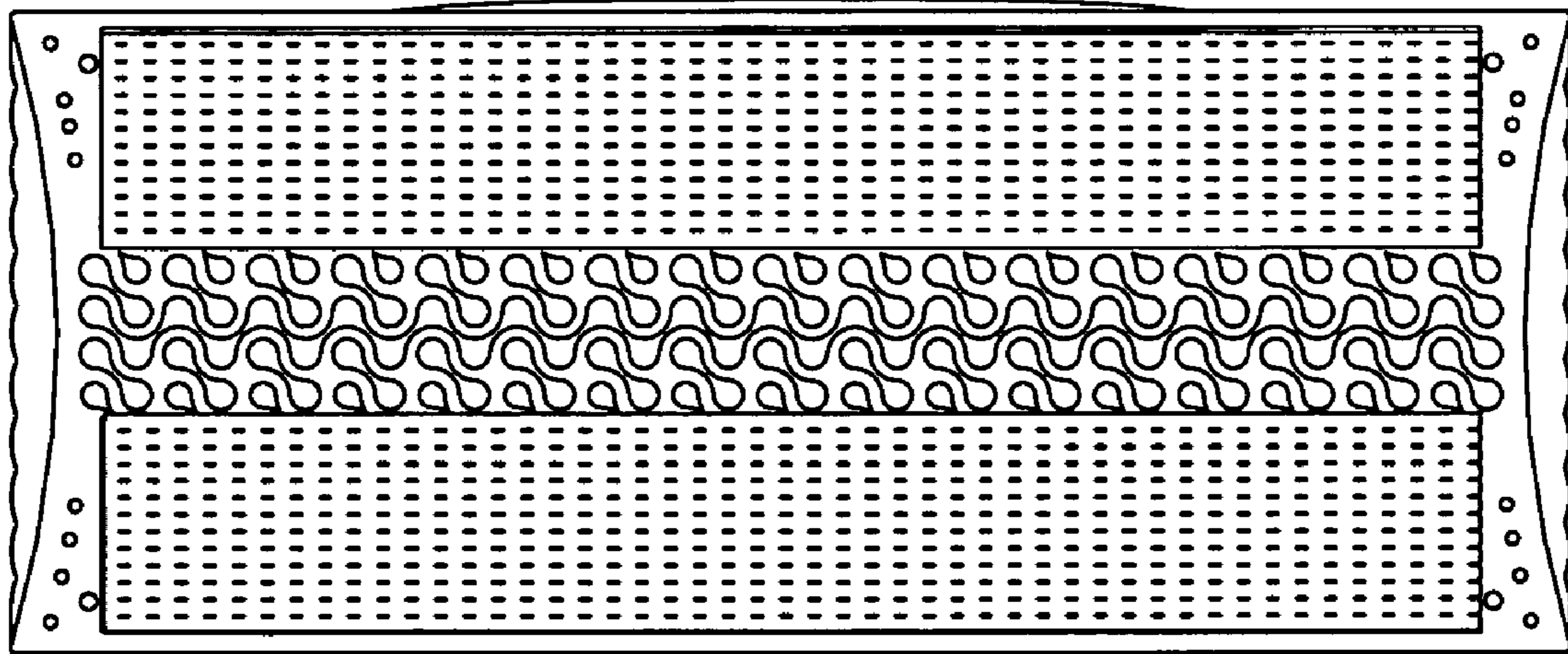


FIG. 7



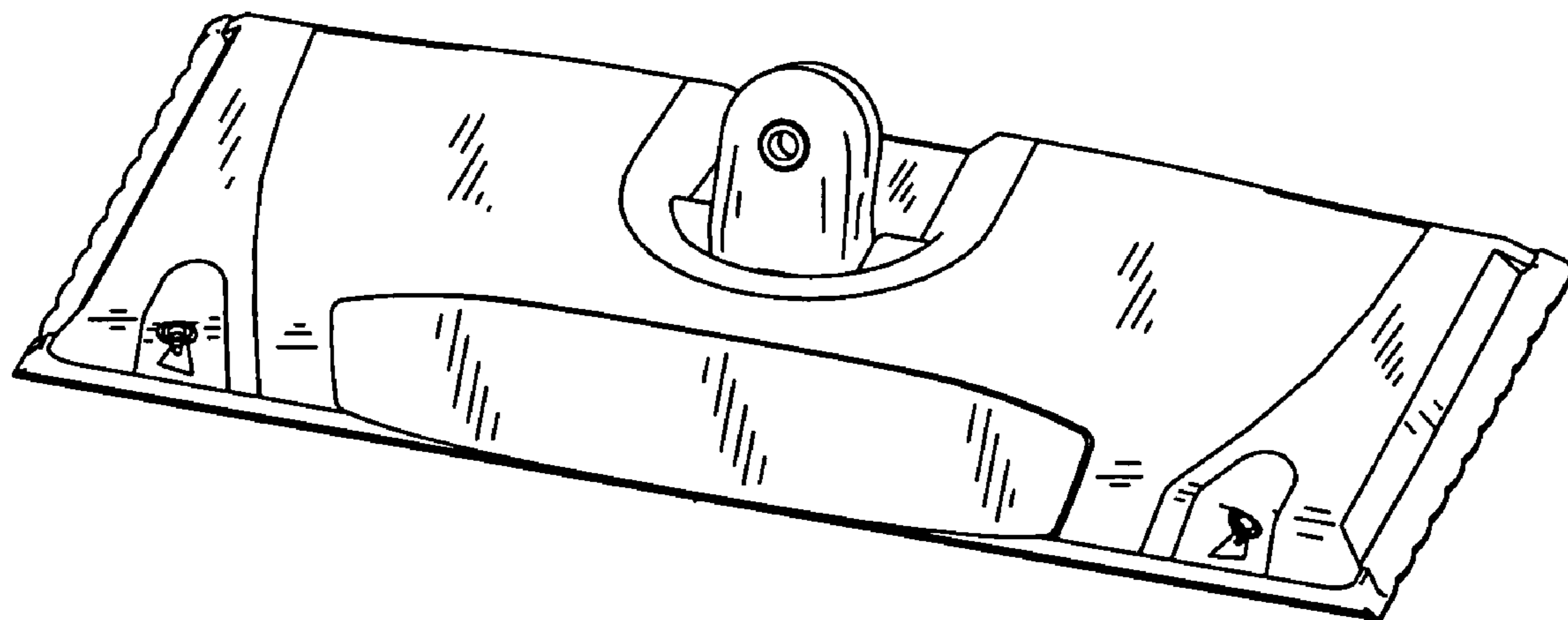


FIG. 8

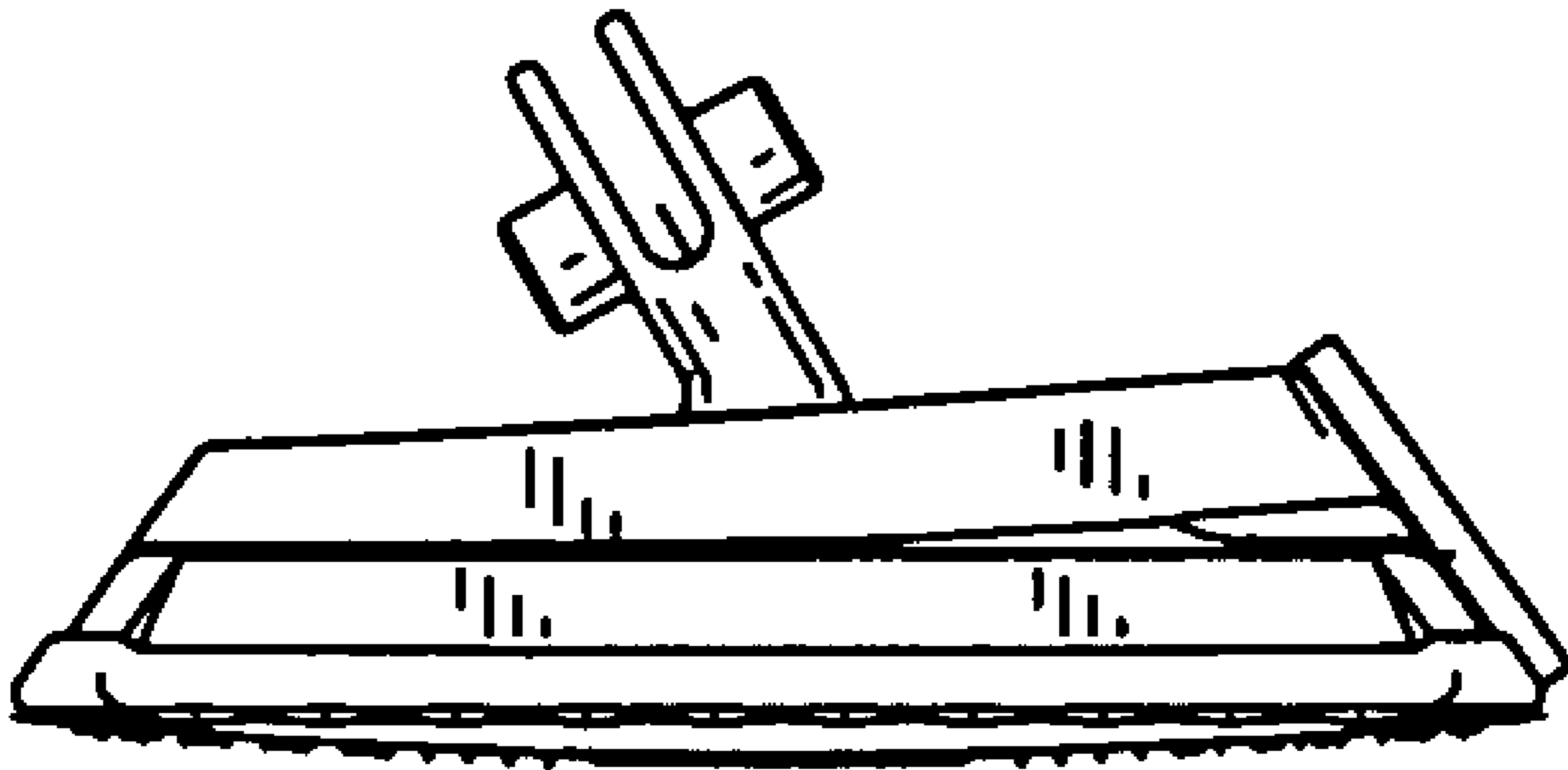


FIG. 9

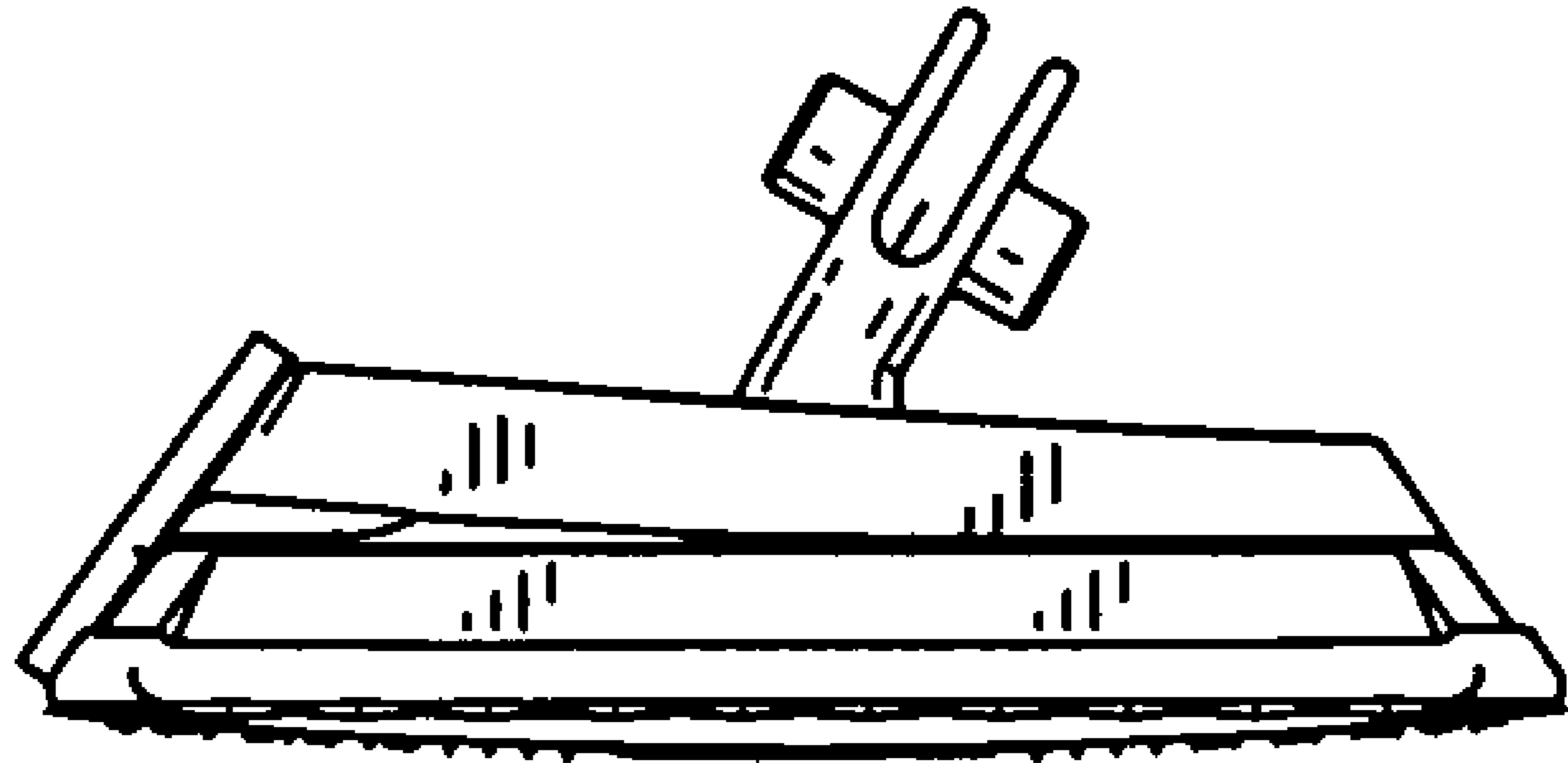


FIG. 10

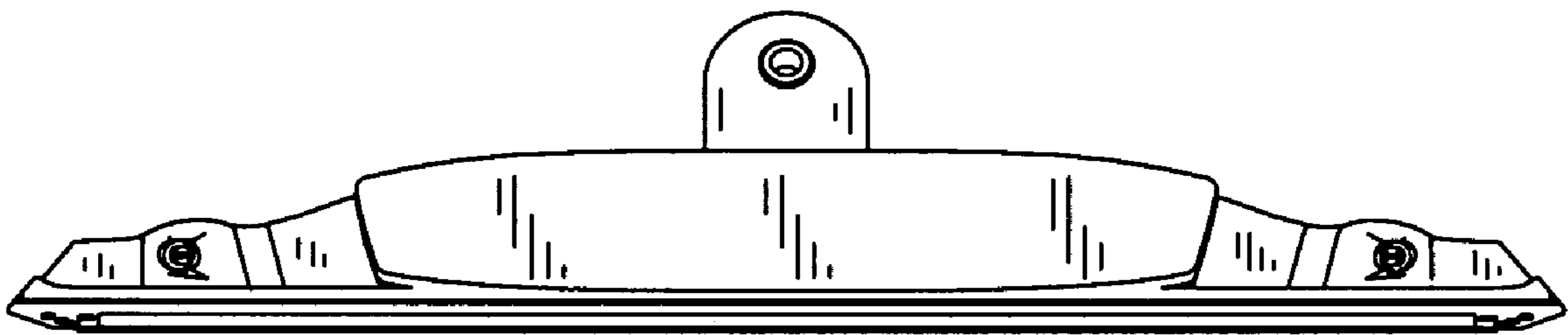


FIG. 11

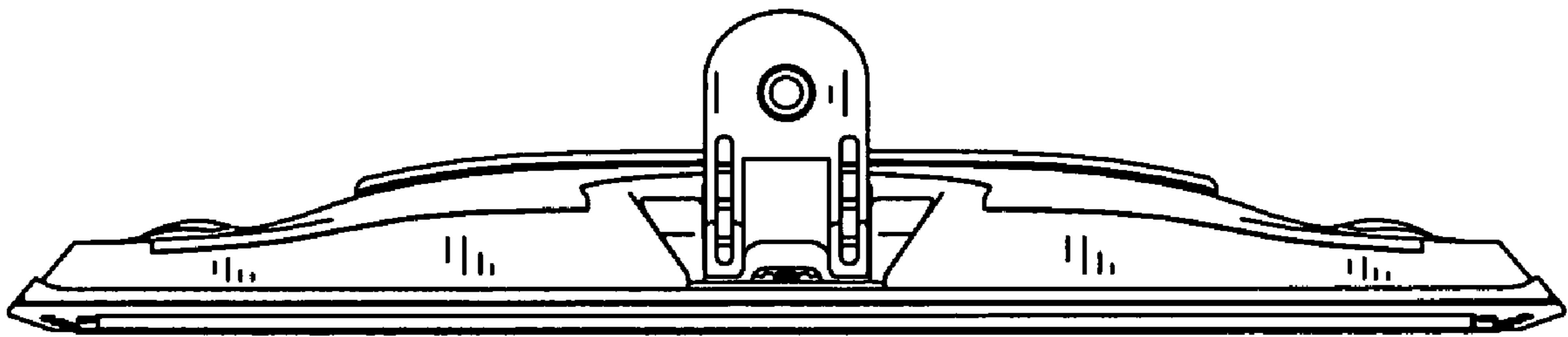


FIG. 12

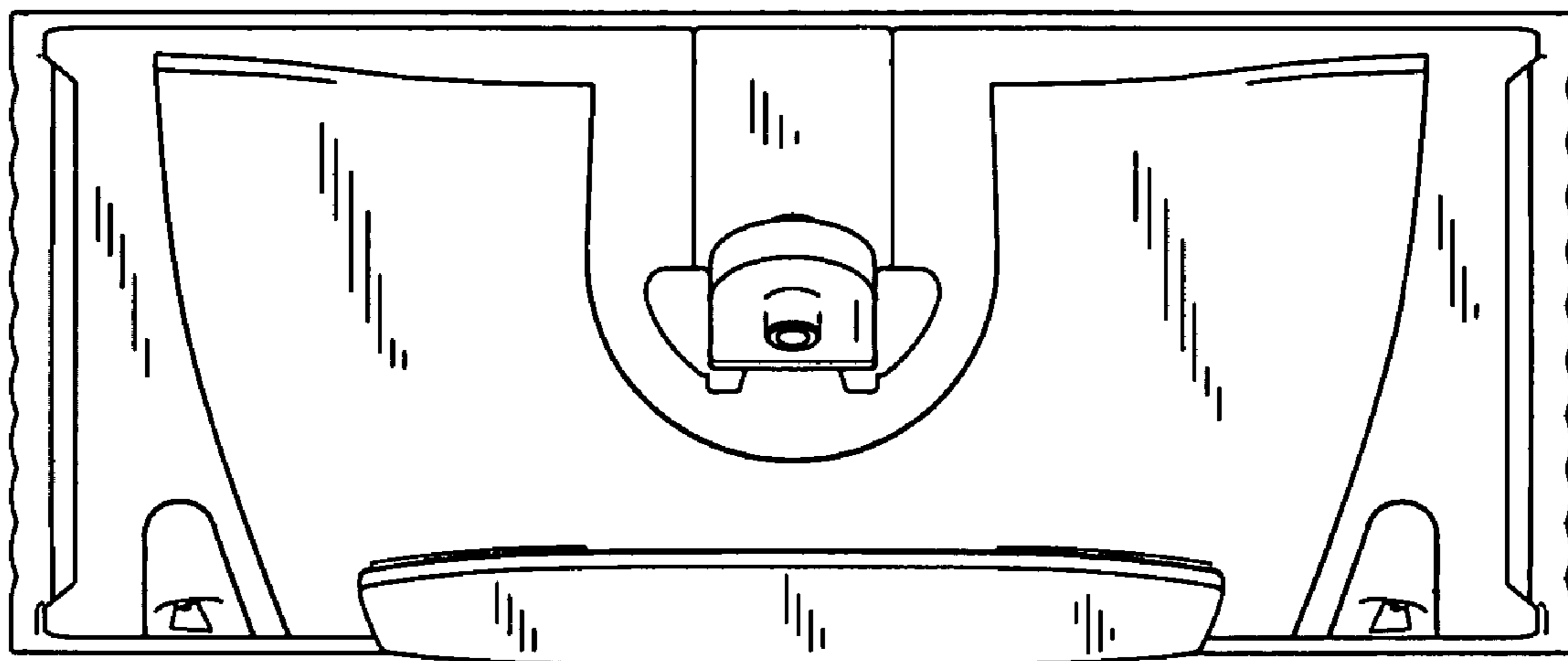


FIG. 13

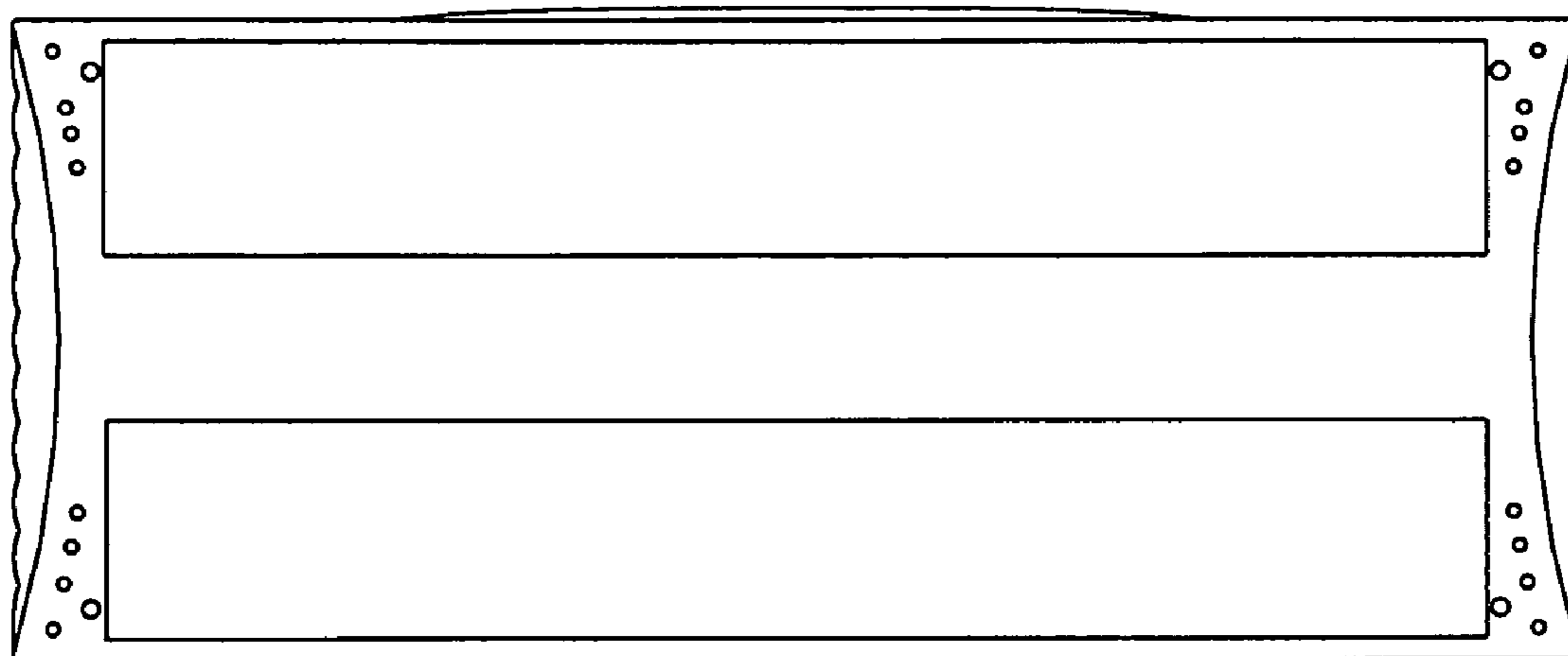


FIG. 14