



US00D617062S

(12) **United States Design Patent**
Woods et al.

(10) **Patent No.:** **US D617,062 S**
(45) **Date of Patent:** **** Jun. 1, 2010**

(54) **DOG BLOCKING TUNNEL ATTACHMENT FOR A CAT LITTER BOX**

D537,989 S * 3/2007 Reynolds D30/119
* cited by examiner

(76) Inventors: **Dianna K. Woods**, 5788 Summersweet Dr., Clayton, OH (US) 45315; **Garrett J. Woods**, 5788 Summersweet Dr., Clayton, OH (US) 45315

Primary Examiner—Mitchell I Siegel
(74) *Attorney, Agent, or Firm*—Jacox, Meckstroth & Jenkins

(57) **CLAIM**

(**) Term: **14 Years**

The ornamental design of a dog blocking tunnel attachment for a cat litter box, as shown and described.

(21) Appl. No.: **29/314,067**

(22) Filed: **Mar. 3, 2009**

DESCRIPTION

(51) **LOC (9) Cl.** **30-99**

(52) **U.S. Cl.** **D30/199**

(58) **Field of Classification Search** D30/106–109, D30/119, 161, 199; 119/416, 469, 161–170
See application file for complete search history.

FIG. 1 is a perspective view of dog blocking tunnel attachment for a cat litter box and showing our new design;

FIG. 2 is a larger perspective view thereof;

FIG. 3 is a front view thereof;

FIG. 4 is a rear view thereof;

FIG. 5 is a side view thereof, the opposite side view being a mirror image;

FIG. 6 is a top view thereof; and,

FIG. 7 is a bottom view thereof.

The cat litter box shown in phantom in FIG. 1 is for illustrative purpose only and forms no part of the claimed design.

(56) **References Cited**

U.S. PATENT DOCUMENTS

- 4,846,110 A * 7/1989 Reynolds 119/428
- 5,228,410 A * 7/1993 Parker 119/428
- 7,093,563 B1 * 8/2006 Reynolds 119/428

1 Claim, 2 Drawing Sheets

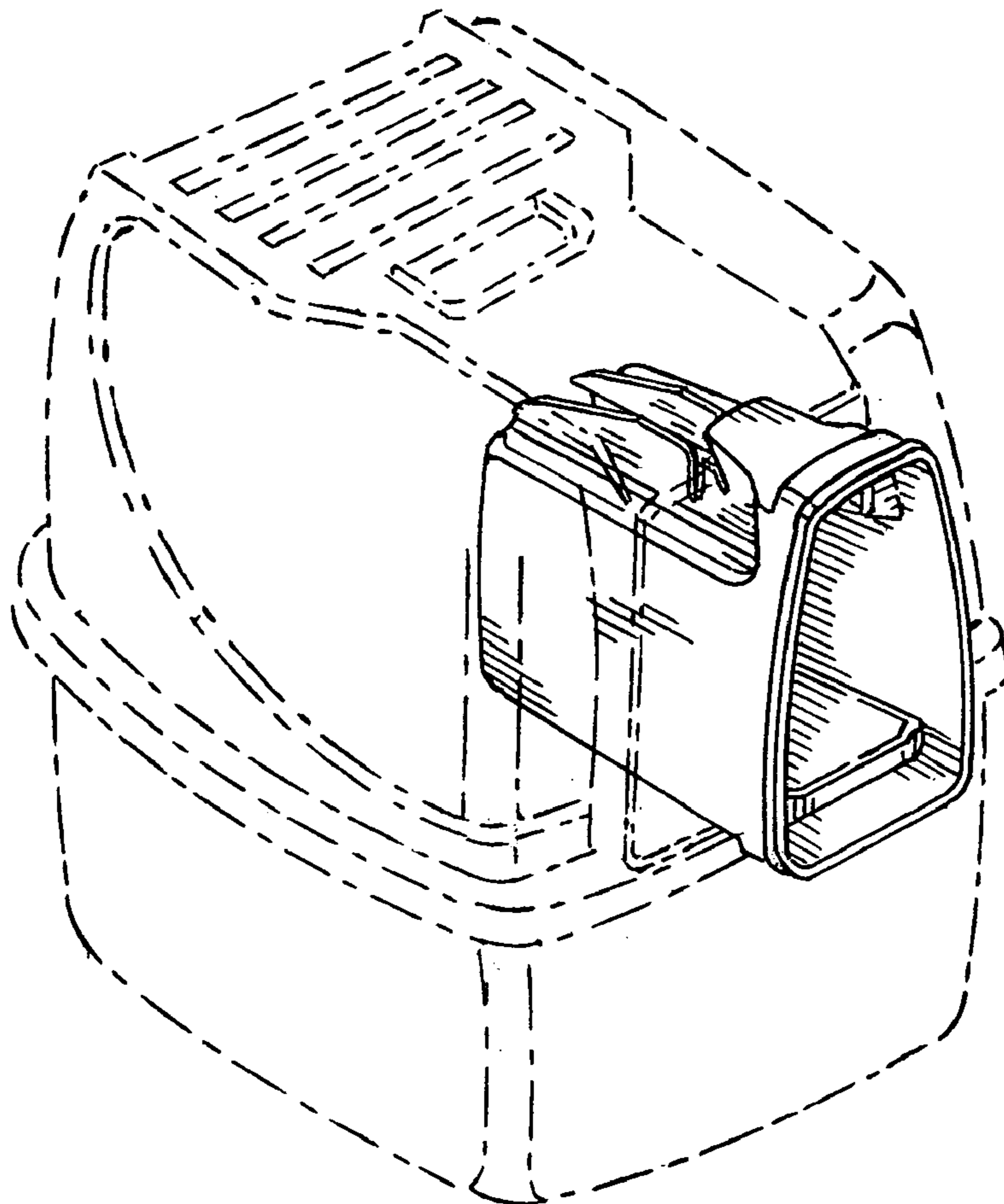


FIG-1

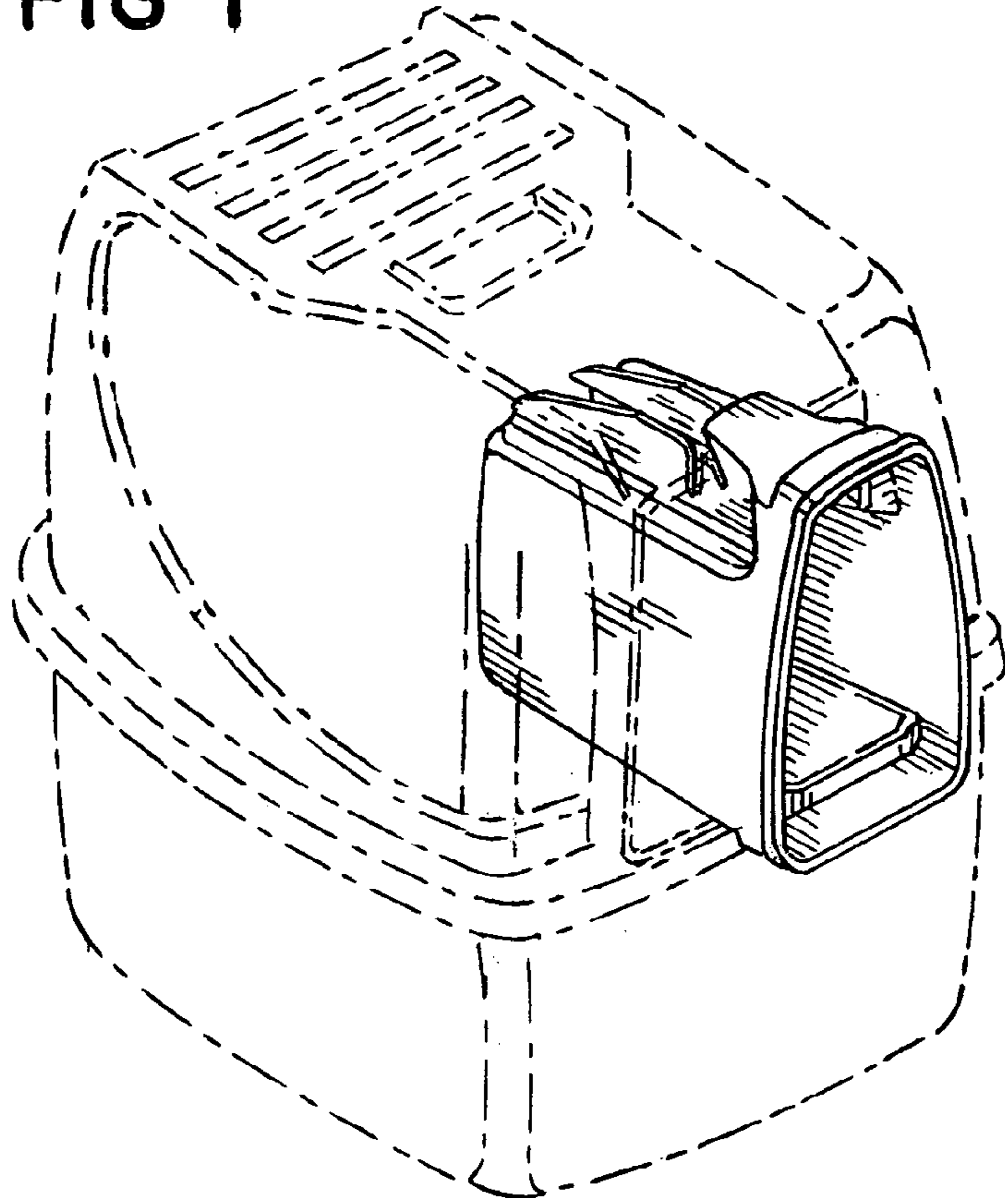


FIG-2

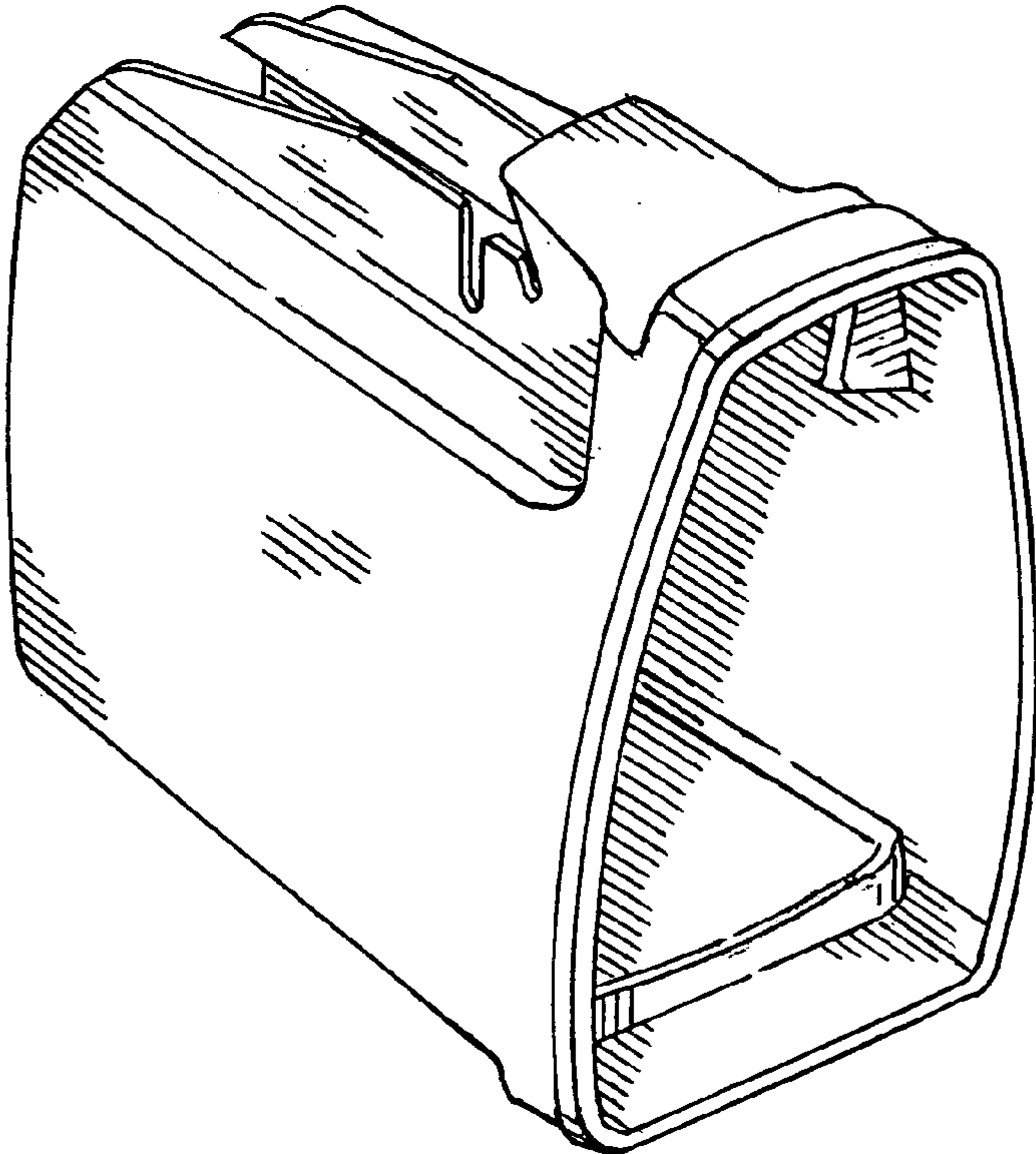


FIG-3

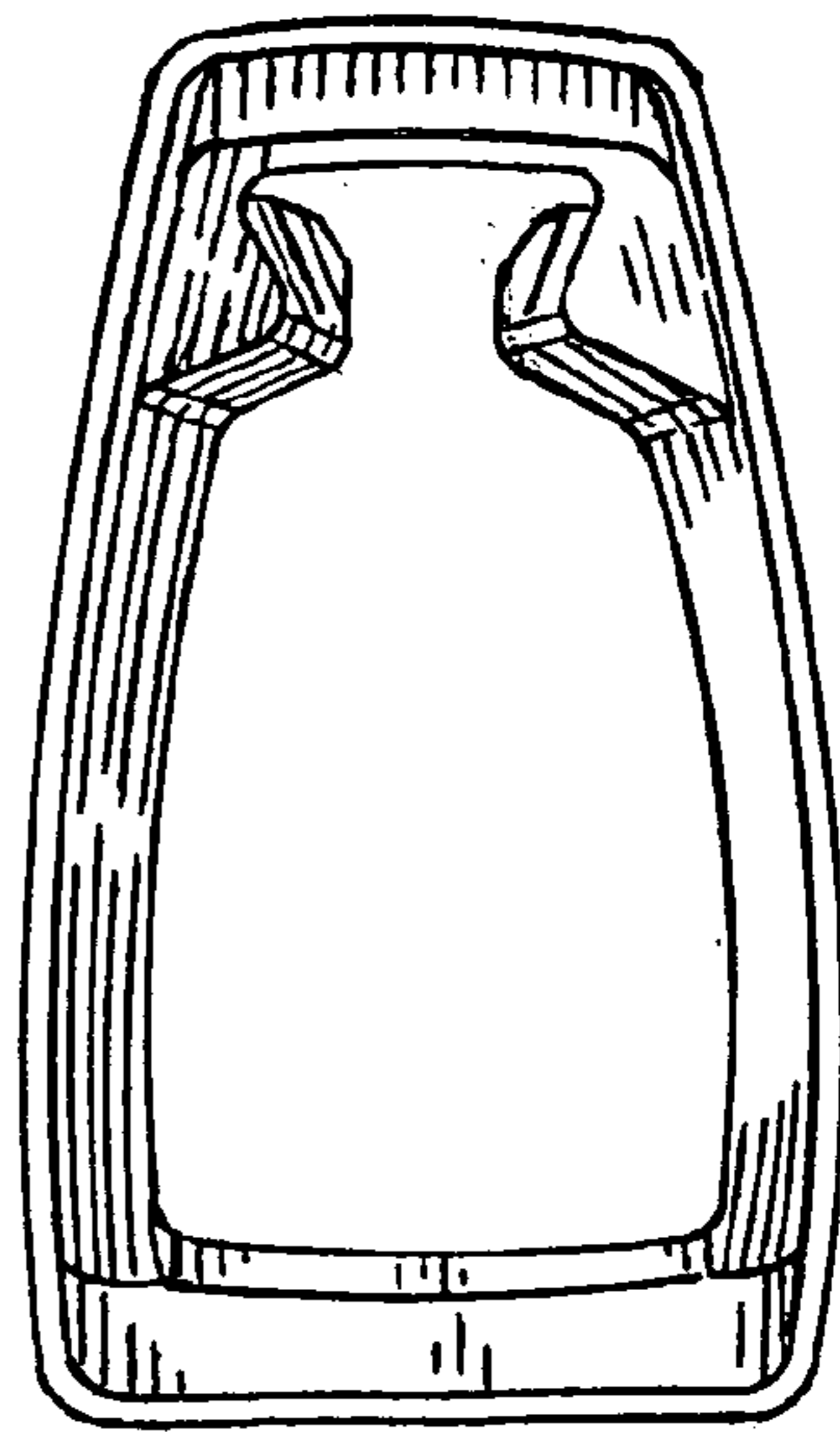


FIG-4

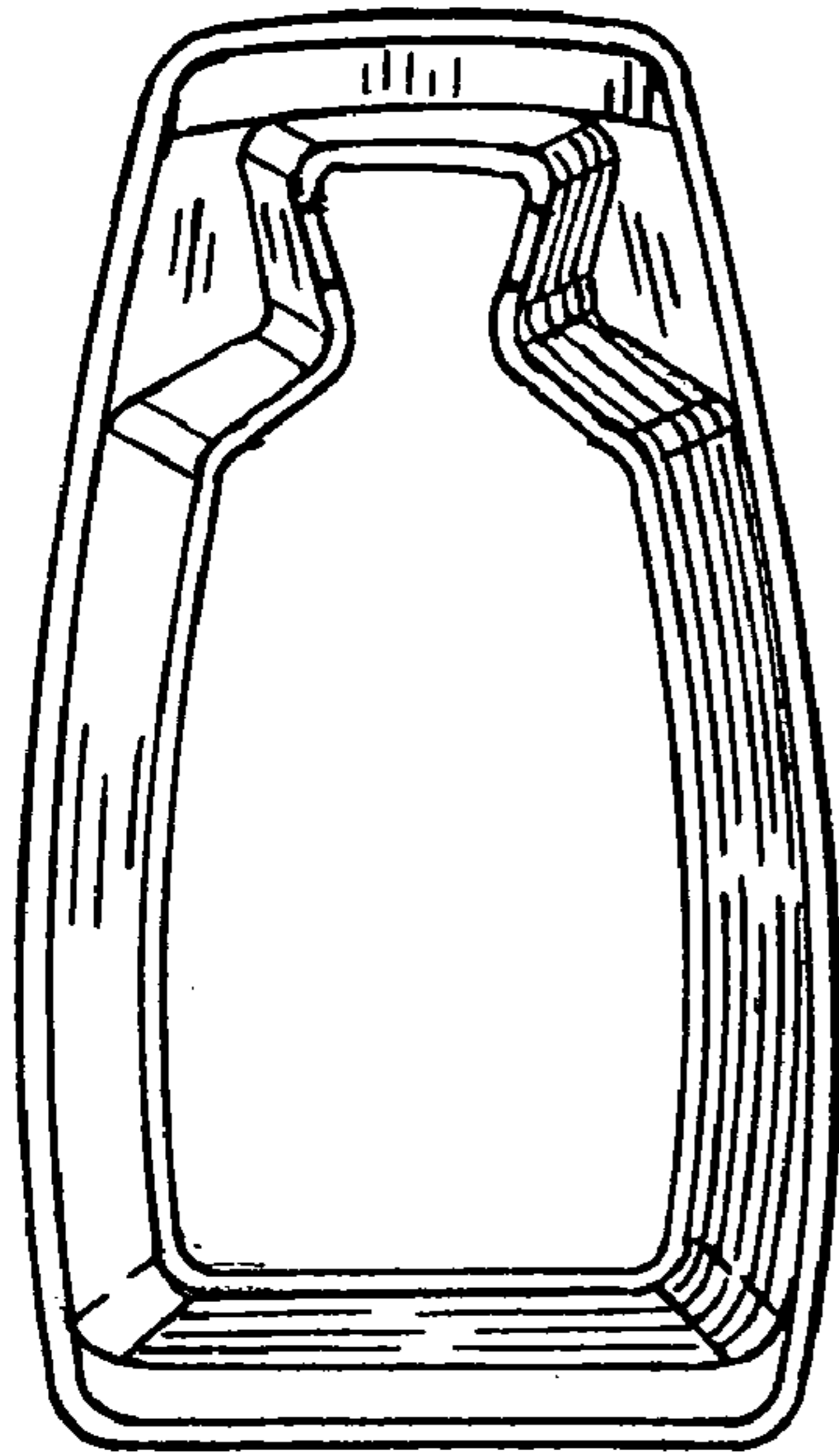


FIG-5

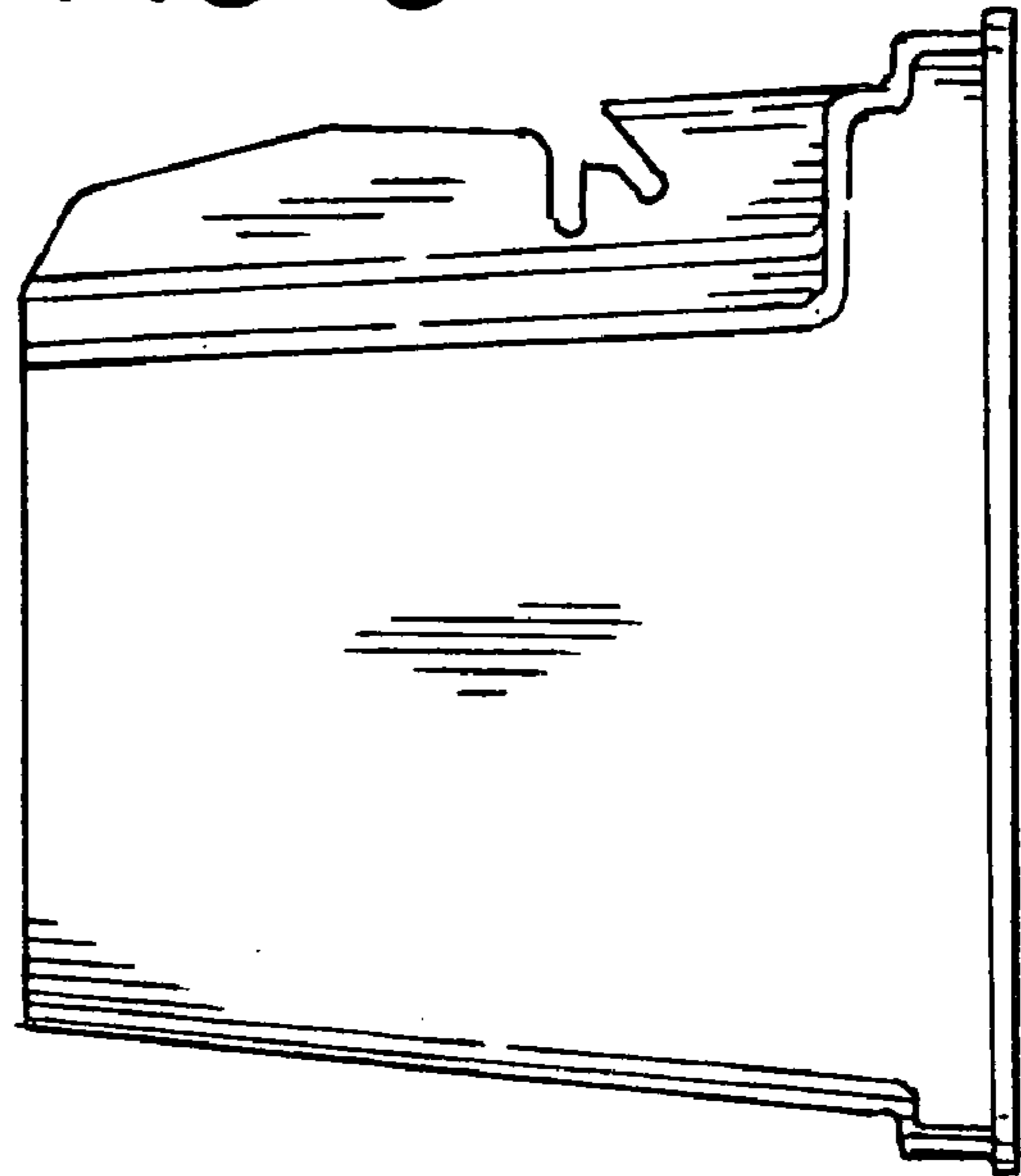


FIG-6

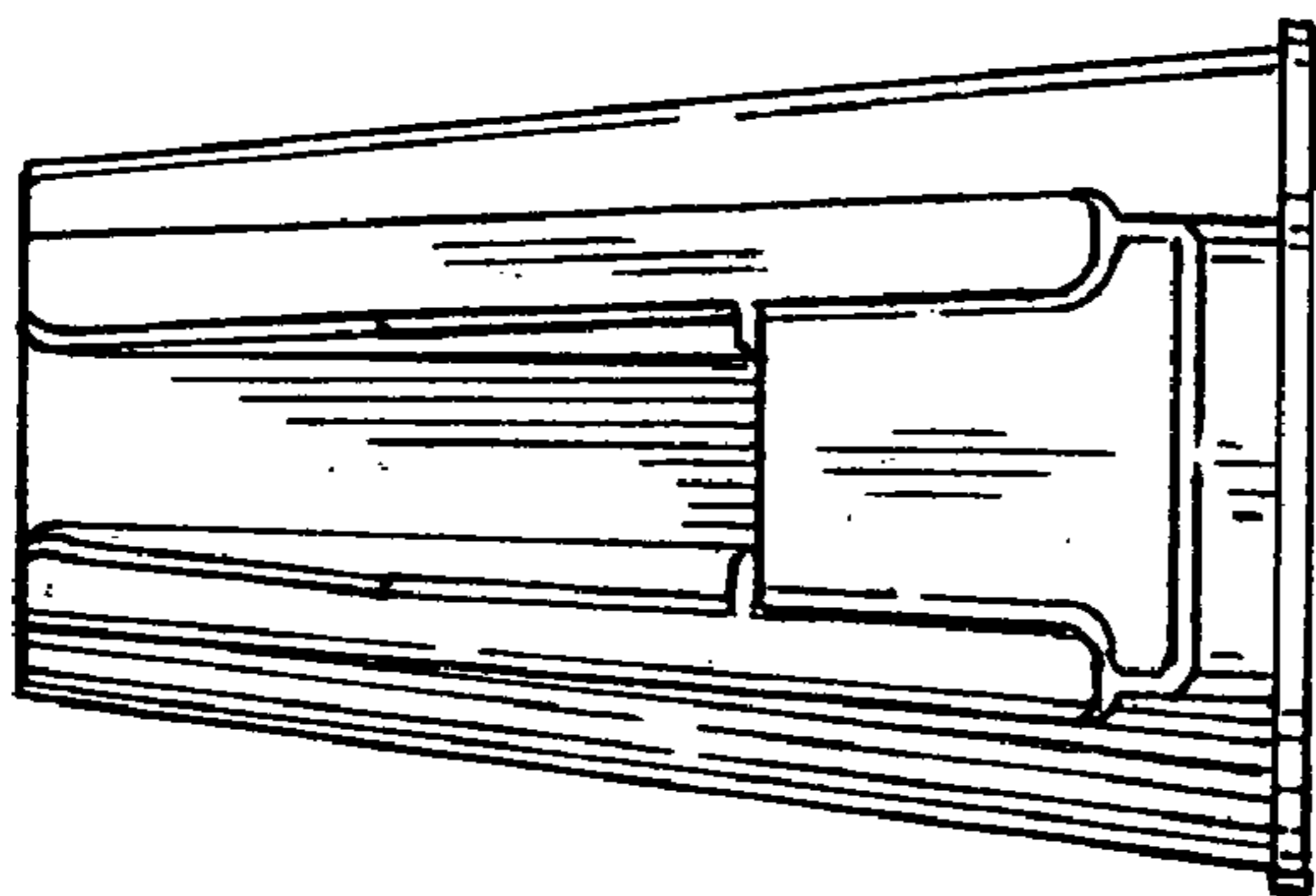


FIG-7

