



US00D617054S

(12) **United States Design Patent**
Roman

(10) **Patent No.:** **US D617,054 S**
(45) **Date of Patent:** **** Jun. 1, 2010**

(54) **RUGBY JUMPER SUPPORT GRIP**

(76) Inventor: **Kendyl A. Roman**, 730 Bantry Ct.,
Sunnyvale, CA (US) 94087

(**) Term: **14 Years**

(21) Appl. No.: **29/293,806**

(22) Filed: **Dec. 11, 2007**

(51) **LOC (9) Cl.** **29-02**

(52) **U.S. Cl.** **D29/122**

(58) **Field of Classification Search** D2/610,
D2/612, 614–623, 265; D29/113, 116.2,
D29/117.1–119, 120.1, 122, 123; 2/16, 159,
2/161.1–161.8, 162, 198, 170, 455, 908,
2/917; D24/190; D28/63; D32/40, 42, 43,
D32/41; D21/807, 682–684, 800, 804, 727,
D21/712, 724; D3/215, 224, 226, 218; 224/219,
224/222, 267, 237; 40/586, 633; 15/104.94,
15/107, 227; D4/134; D20/33; 482/105–108
See application file for complete search history.

(56) **References Cited**

U.S. PATENT DOCUMENTS

D131,437	S	*	2/1942	Love	D22/107
D311,977	S	*	11/1990	Eghamn	D29/120.1
D364,008	S	*	11/1995	Florio	D29/120.1
D398,720	S	*	9/1998	Leshner, Jr.	D29/120.1
6,098,208	A	*	8/2000	Cordon	2/455
D445,220	S	*	7/2001	Hairston, III	D29/120.1
6,775,844	B1	*	8/2004	Castillo	2/16

D604,460 S * 11/2009 Singleton et al. D29/120.1
2005/0015840 A1 * 1/2005 Biggerstaff 2/16
2006/0085884 A1 * 4/2006 Giacheri 2/24

* cited by examiner

Primary Examiner—Raphael Barkai
Assistant Examiner—Randall H Gholson

(57) **CLAIM**

The ornamental design for a rugby jumper support grip, as shown and described.

DESCRIPTION

U.S. utility patent application Ser. No. 11/499,023.

U.S. utility patent application Ser. No. 11/800,356.

U.S. utility patent application Ser. No. 11/899,529.

FIG. 1 is a perspective view of a rugby jumper support grip, showing my new design;

FIG. 2 is a back view thereof;

FIG. 3 is a front view thereof;

FIG. 4 is a top view thereof;

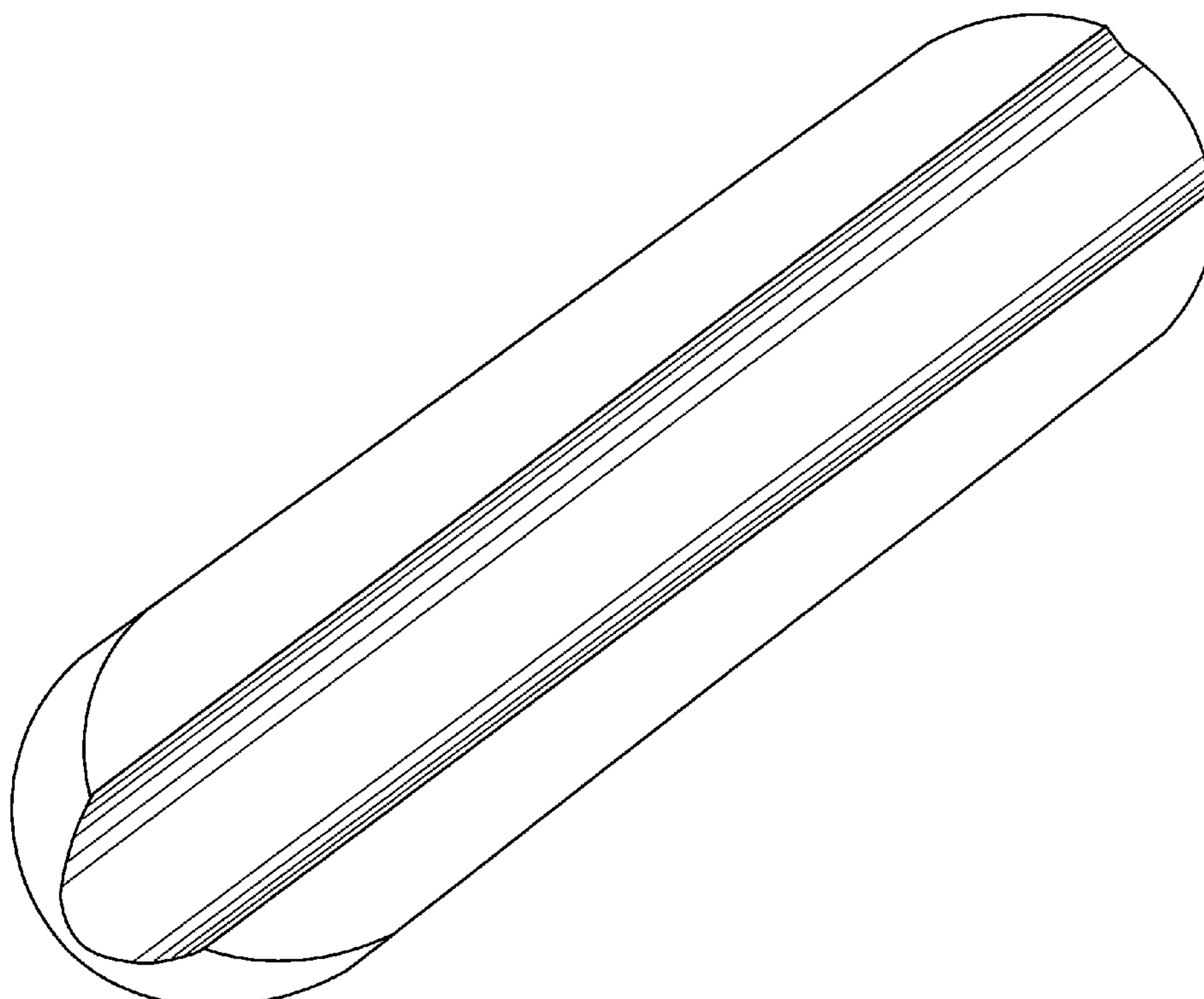
FIG. 5 is a bottom view thereof;

FIG. 6 is a right view thereof; and,

FIG. 7 is a left view thereof.

My rugby jumper support grip is characterized as a cylindrical section, where the front is rounded, the back has a circular groove, and the ends are rounded and tapered.

1 Claim, 3 Drawing Sheets



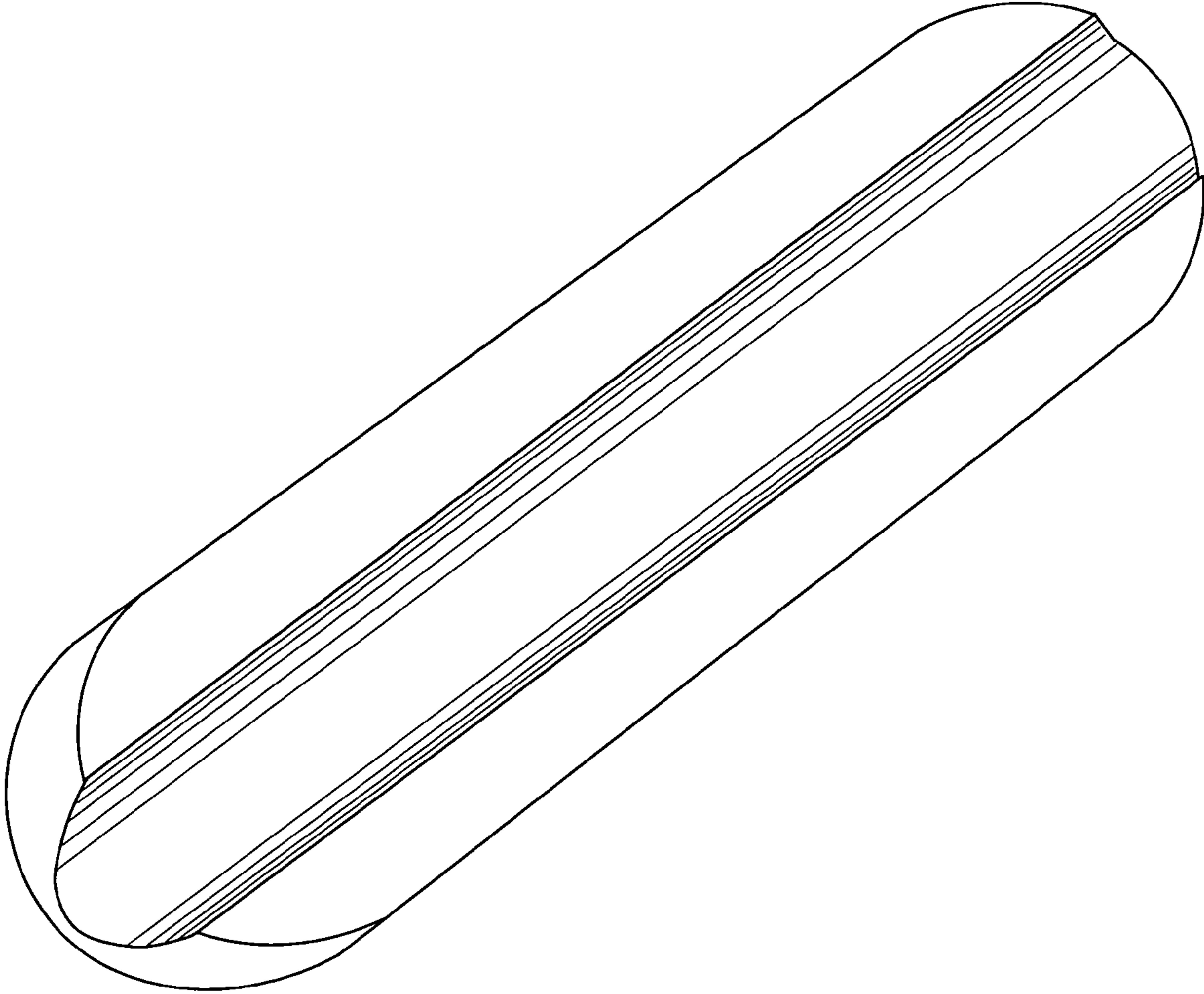


Fig. 1

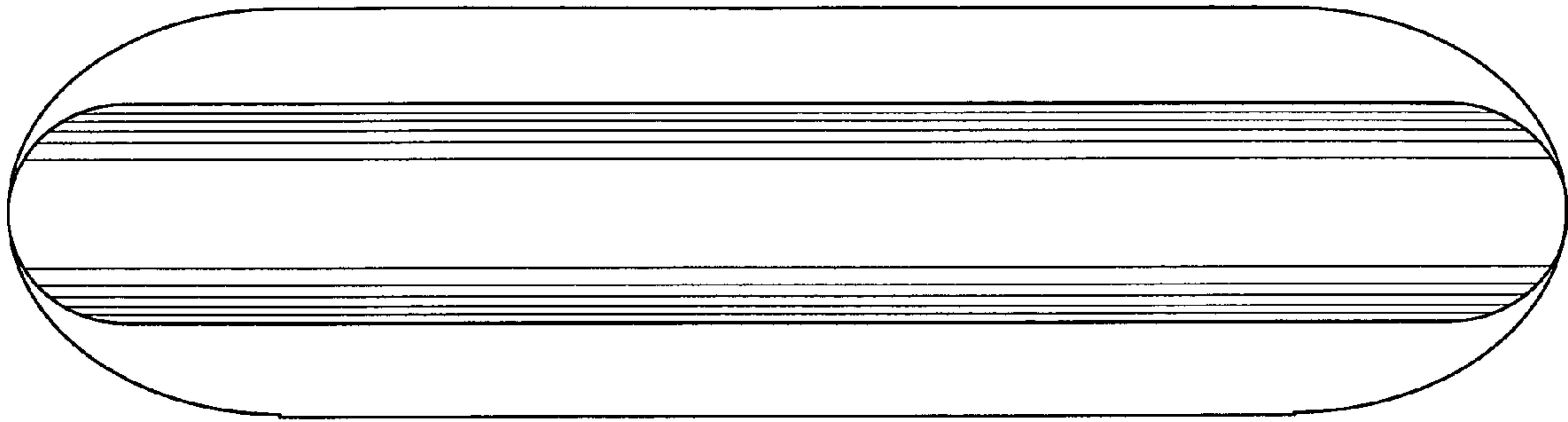


Fig. 2

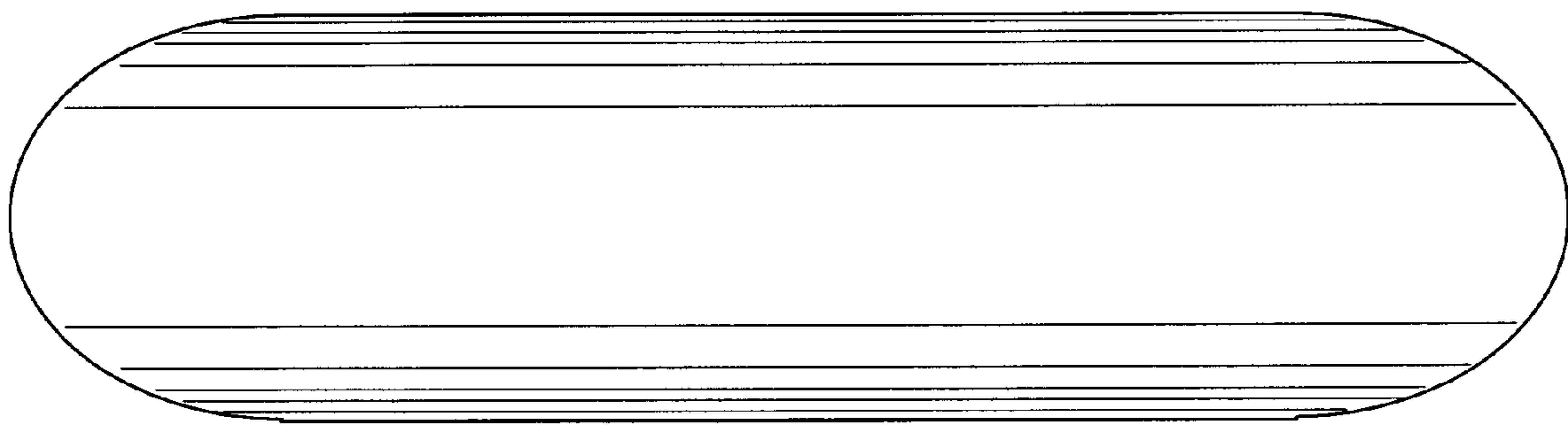


Fig. 3

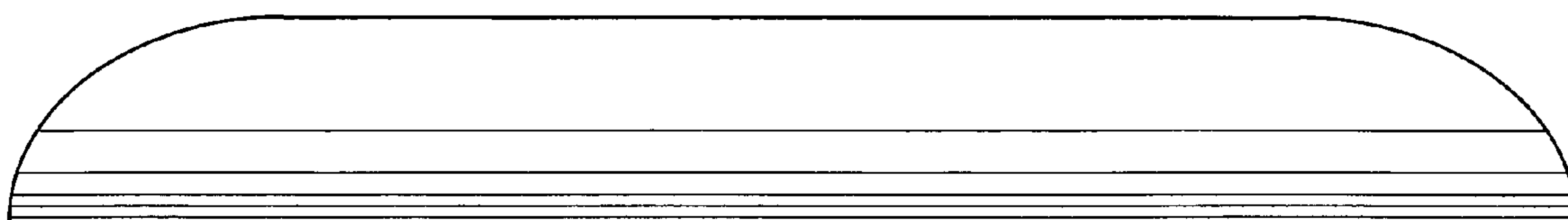


Fig. 4

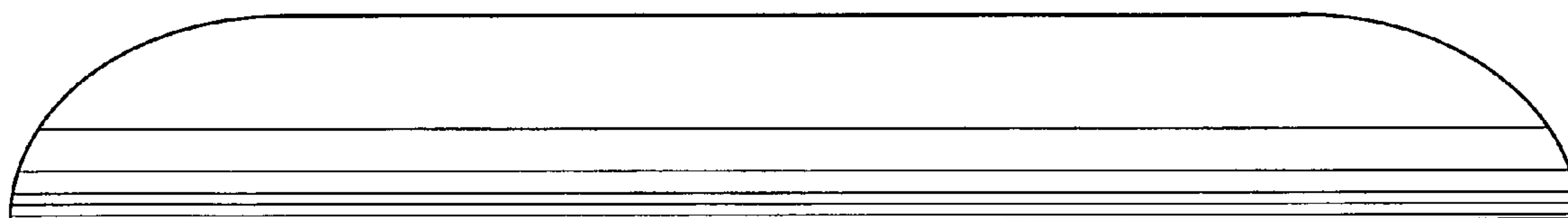


Fig. 5

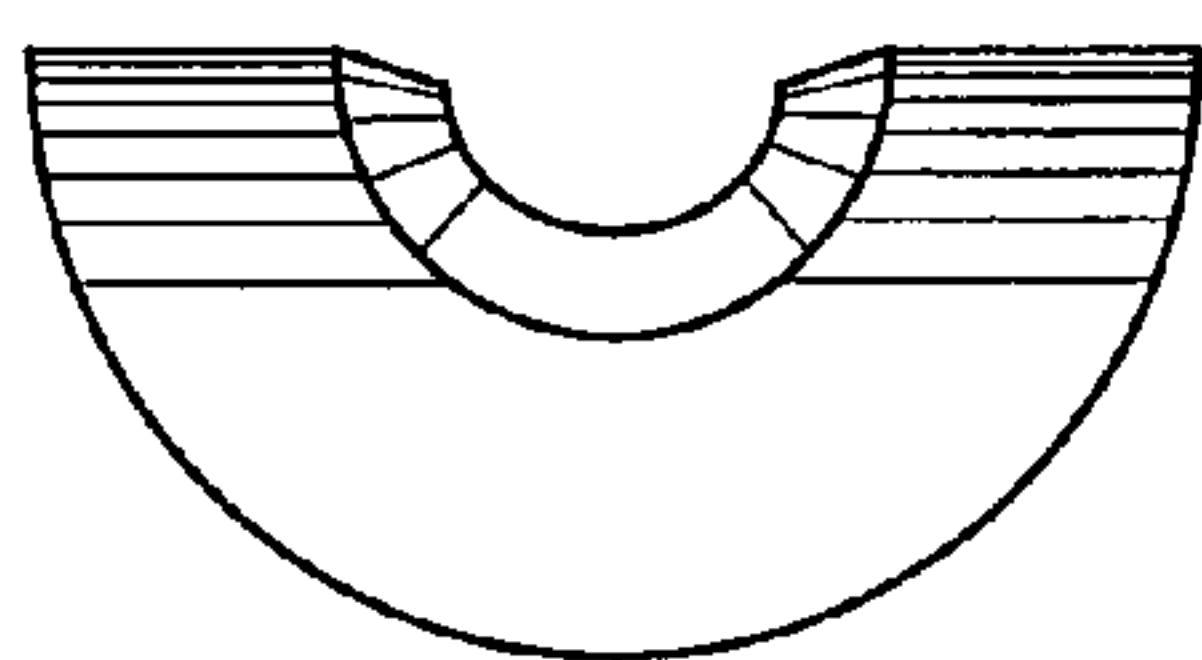


Fig. 6

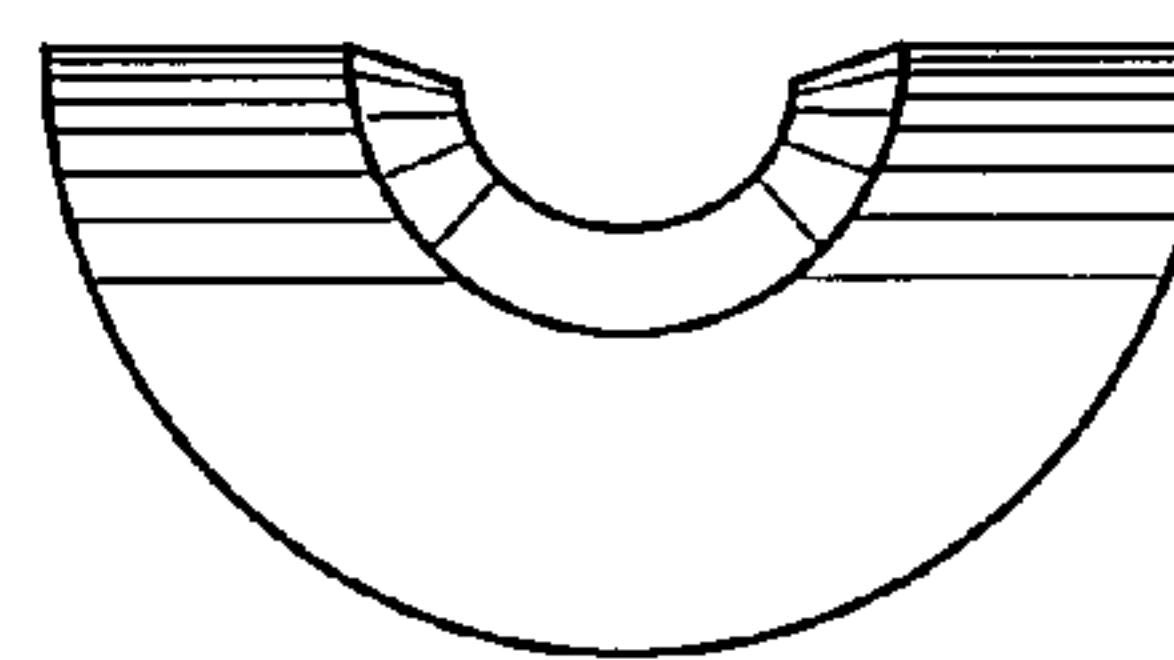


Fig. 7