



US00D617052S

(12) **United States Design Patent**
Pires et al.

(10) **Patent No.:** **US D617,052 S**
(45) **Date of Patent:** **** Jun. 1, 2010**

(54) **COSMETIC CONTAINER**

(75) Inventors: **Leo Clifford Pires**, Basking Ridge, NJ (US); **Roger Hwang**, Maple (CA); **Rahul Bose**, New Delhi (IN); **Iti Seth**, New Delhi (IN)

(73) Assignee: **Zen Design Solutions Limited**, Hong Kong (HK)

(**) Term: **14 Years**

(21) Appl. No.: **29/350,654**

(22) Filed: **Nov. 20, 2009**

(51) **LOC (9) Cl.** **28-03**

(52) **U.S. Cl.** **D28/89**

(58) **Field of Classification Search** D28/85-90;
D9/503-504; 132/316-318, 320; 206/385,
206/581, 823; 401/65, 75, 88, 202, 265-266
See application file for complete search history.

(56) **References Cited**

U.S. PATENT DOCUMENTS

5,879,095	A *	3/1999	Gueret	401/172
6,607,323	B2 *	8/2003	Breidenbach et al.	401/179
D508,297	S *	8/2005	Breidenbach et al.	D28/88
6,981,811	B2 *	1/2006	Breidenbach et al.	401/172
D530,862	S *	10/2006	Py et al.	D28/89
7,210,870	B2 *	5/2007	Breidenbach et al.	401/172
7,377,707	B2 *	5/2008	Breidenbach et al.	401/172
D583,998	S *	12/2008	Tani	D28/88
2003/0226573	A1 *	12/2003	Chan	132/318
2008/0063464	A1 *	3/2008	Prague	401/262
2008/0138145	A1 *	6/2008	Kwon	401/266
2008/0166172	A1 *	7/2008	Eng et al.	401/266

* cited by examiner

Primary Examiner—Jennifer Rivard

(74) *Attorney, Agent, or Firm*—Patterson & Sheridan, LLP

(57) **CLAIM**

I claim the ornamental design for a cosmetic container, as shown and described.

DESCRIPTION

FIG. 1 illustrates an isometric view of a cosmetic container of the invention;

FIG. 2 is a front view of the cosmetic container of FIG. 1, the rear view being a mirror image thereof;

FIG. 3 is a right side view of the cosmetic container of FIG. 1, the left side view being a mirror image thereof;

FIG. 4 is a top view of the cosmetic container of FIG. 1;

FIG. 5 is a bottom view of the cosmetic container of FIG. 1;

FIG. 6 is an isometric view of the cosmetic container of FIG. 1 showing the cap removed from the body;

FIG. 7 is an isometric view of the cosmetic container of FIG. 1 with the cap removed;

FIG. 8 is a front view of the cosmetic container of FIG. 7;

FIG. 9 is a rear view of the cosmetic container of FIG. 7;

FIG. 10 is a right side view of the cosmetic container of FIG. 7;

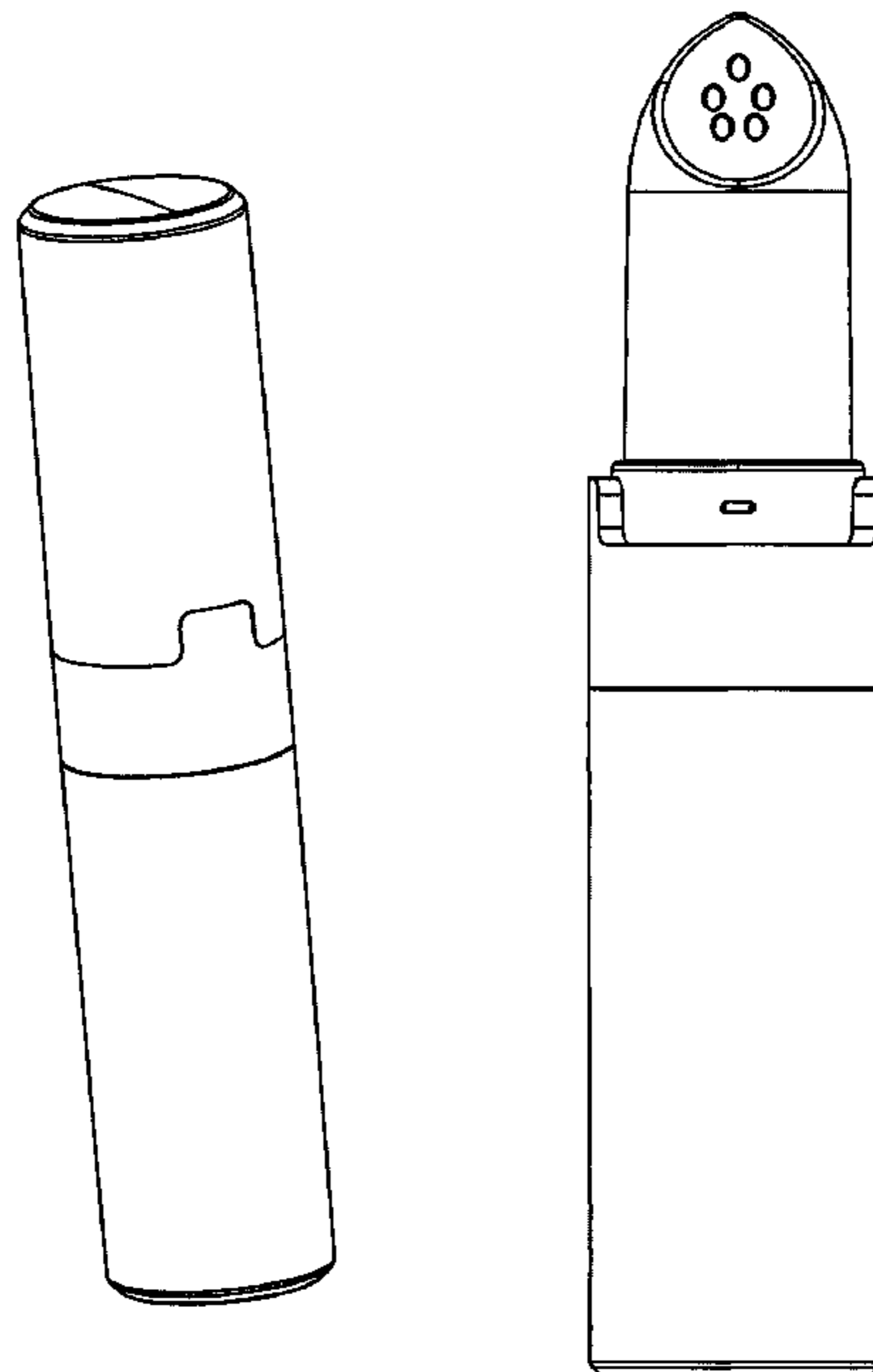
FIG. 11 is a left side view of the cosmetic container of FIG. 7;

FIG. 12 is a top view of the cosmetic container of FIG. 7; and,

FIG. 13 is a bottom view of the cosmetic container of FIG. 7.

The cap is shown removed from the body of the container for convenience of illustration.

1 Claim, 13 Drawing Sheets



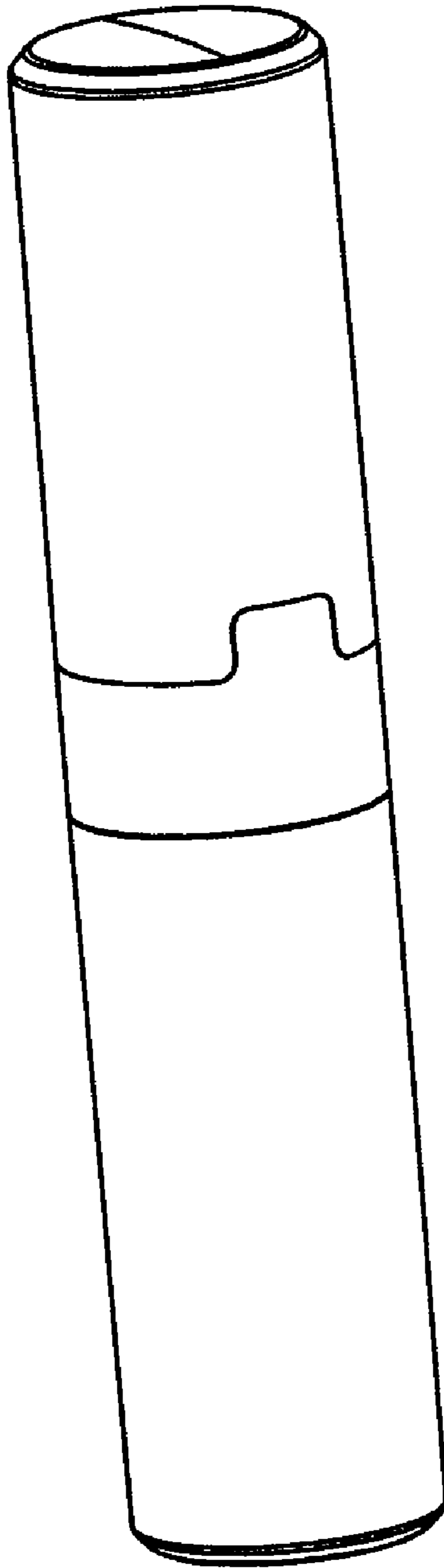


Fig. 1

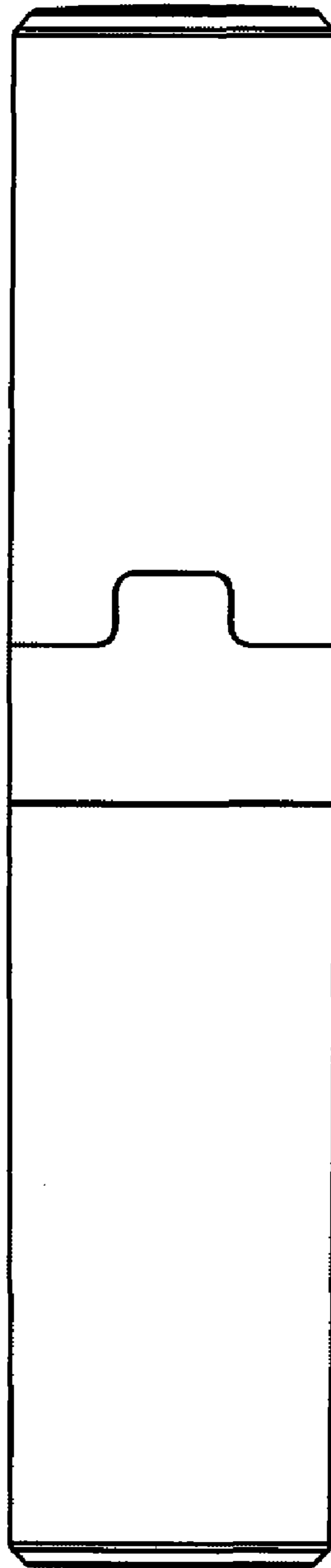


Fig. 2

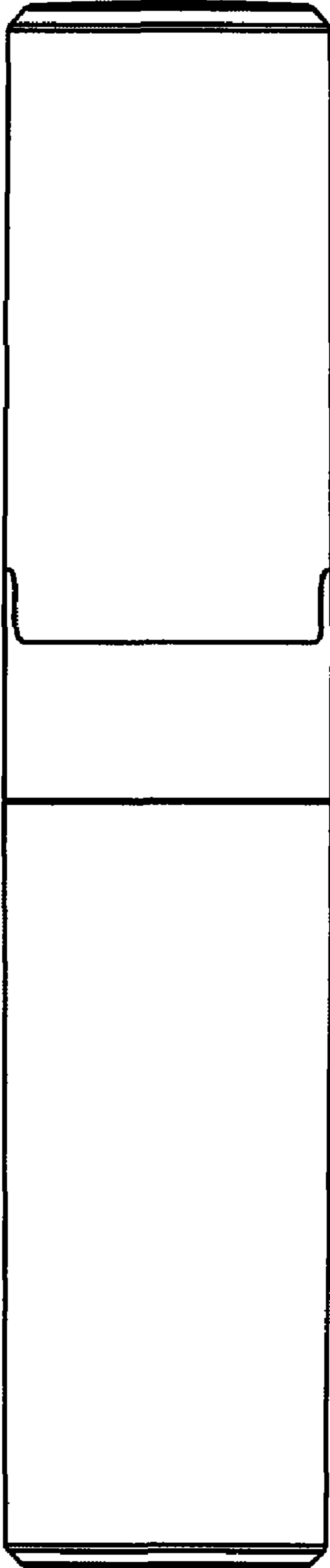


Fig. 3

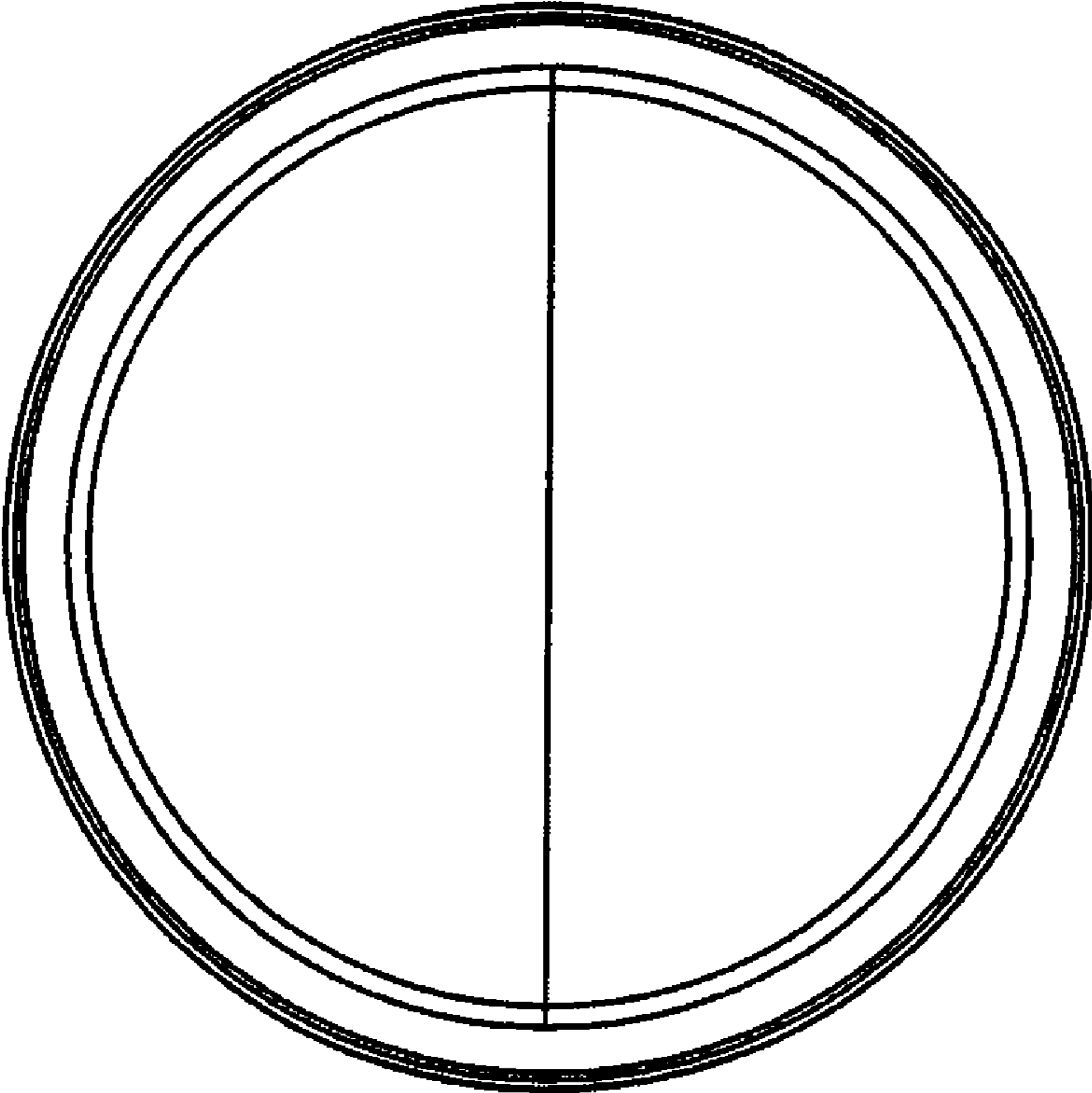


Fig. 4

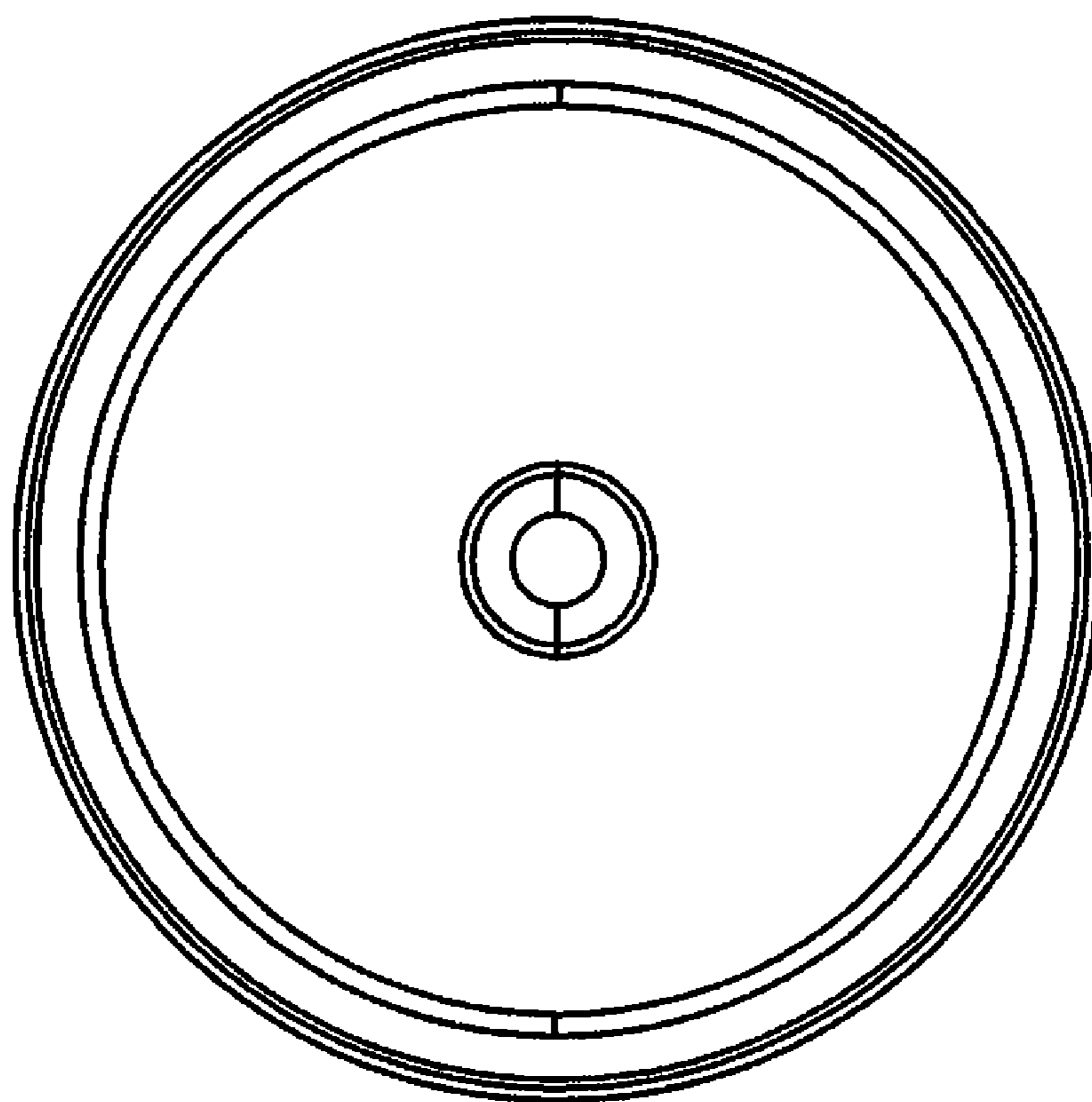


Fig. 5

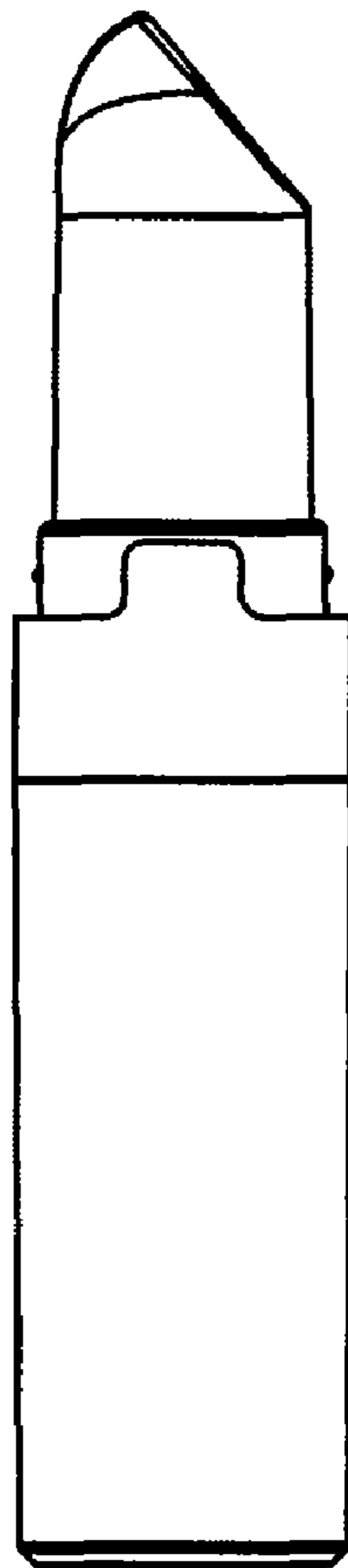
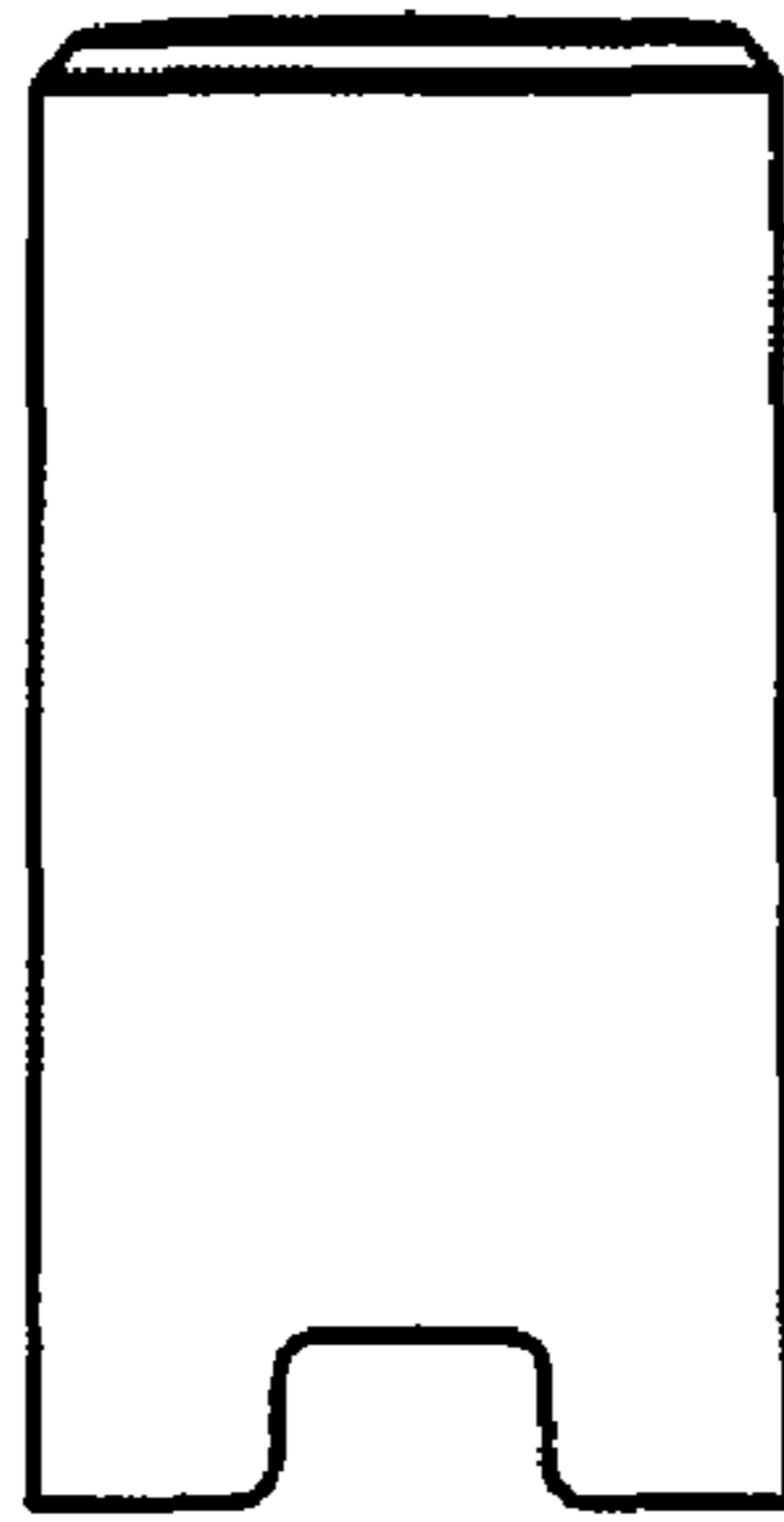


Fig. 6

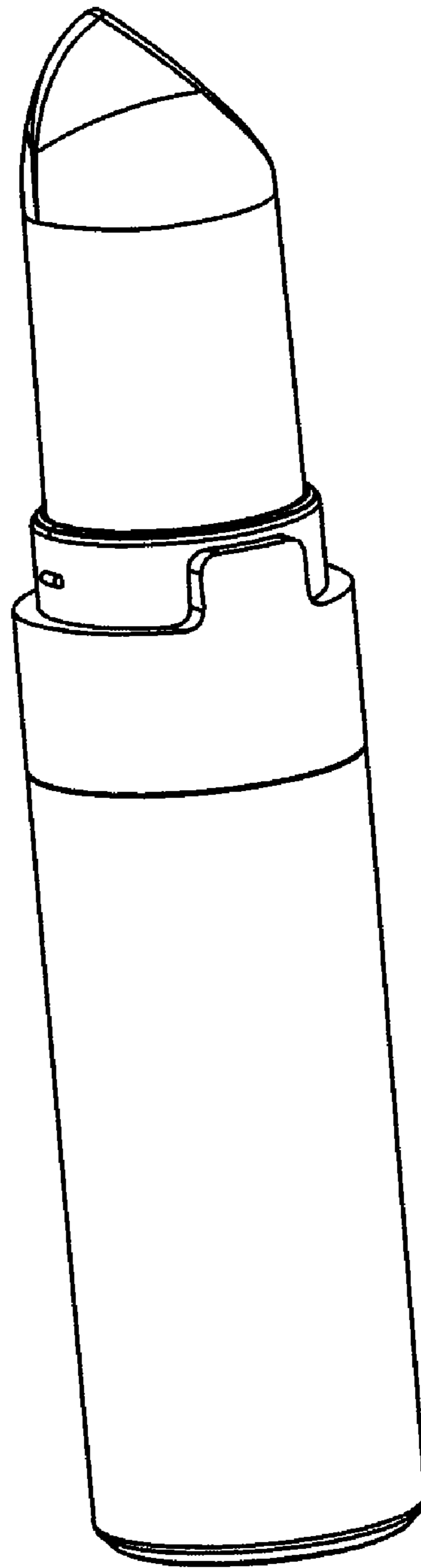


Fig. 7

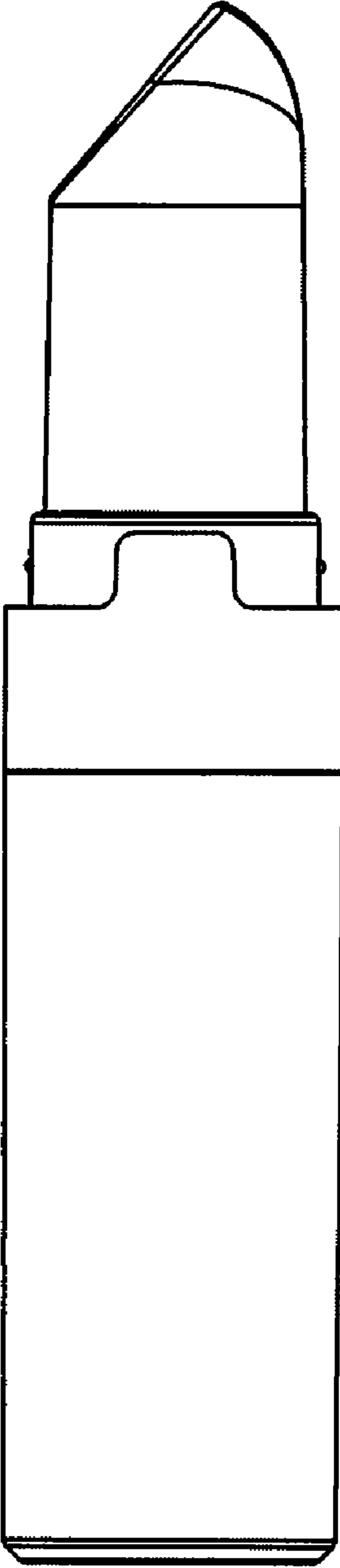


Fig. 8

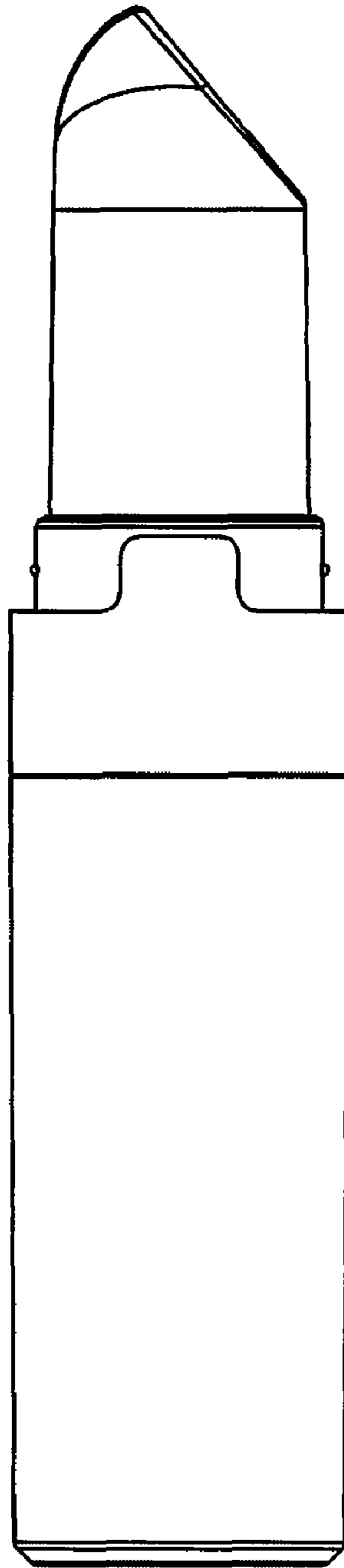


Fig. 9

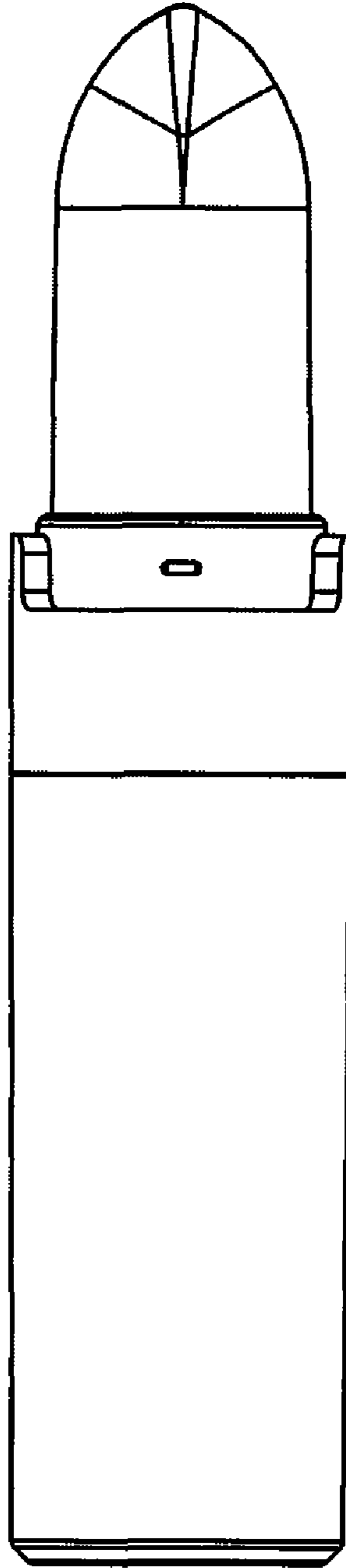


Fig. 10

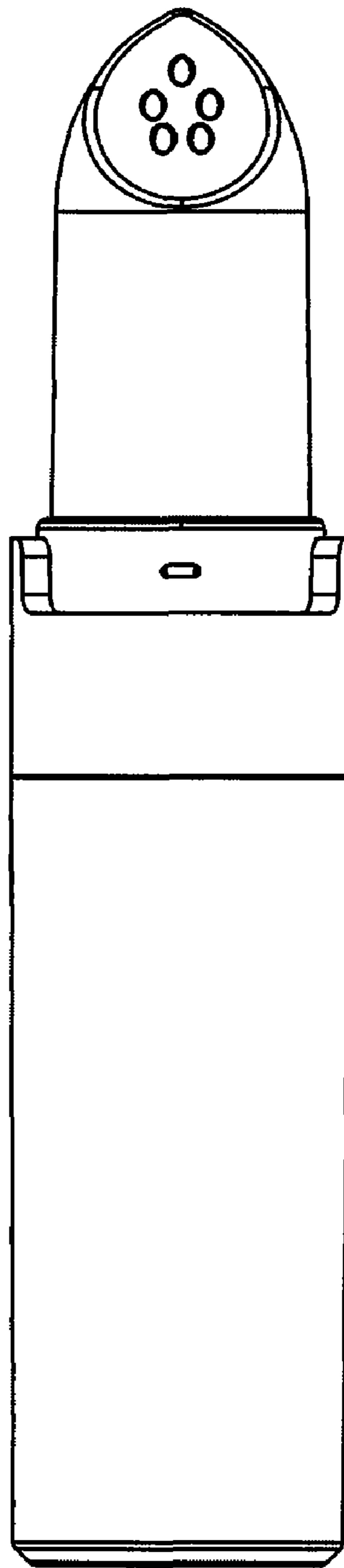


Fig. 11

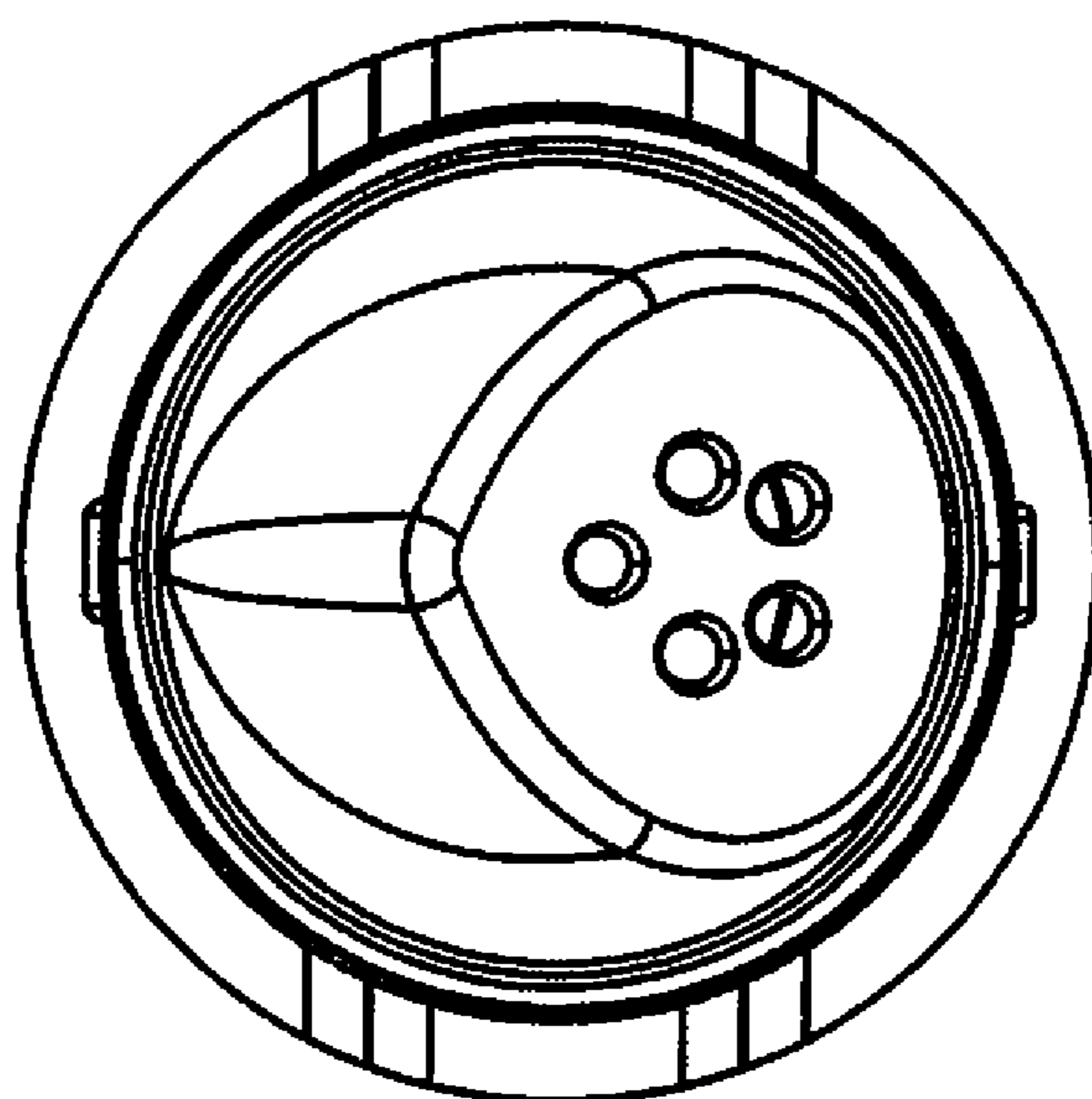


Fig. 12

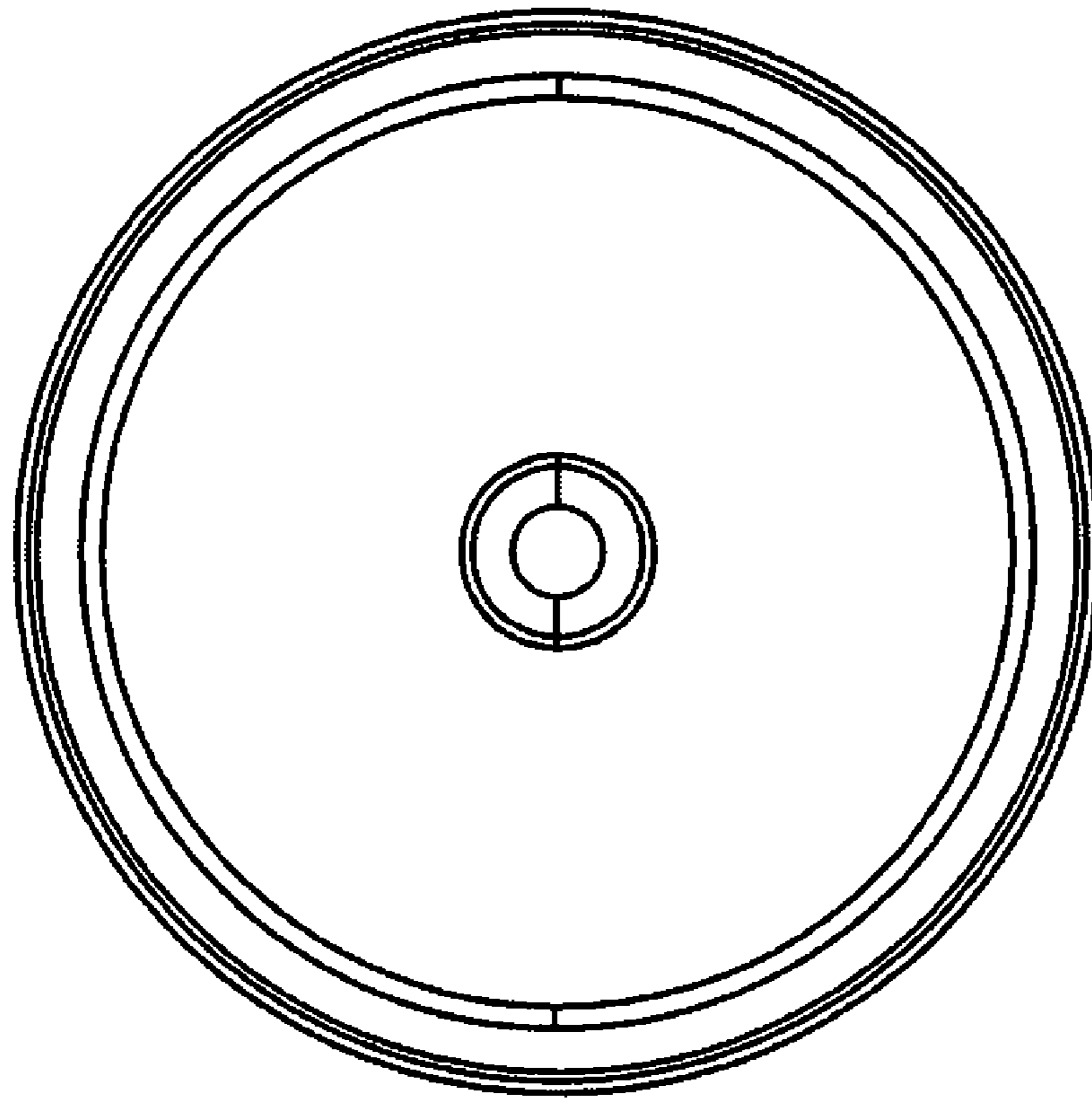


Fig. 13