



US00D617049S

(12) **United States Design Patent**
Plackis et al.

(10) **Patent No.:** **US D617,049 S**

(45) **Date of Patent:** **** Jun. 1, 2010**

(54) **BLENDING COMB**

(76) Inventors: **Craig Plackis**, 4970 Highway 290,
st460, Austin, TX (US) 78749; **Mendy**
Dietert Price, 5604 SW. Parkway #2434,
Austin, TX (US) 78735

(**) Term: **14 Years**

(21) Appl. No.: **29/348,279**

(22) Filed: **Dec. 17, 2009**

(51) **LOC (9) Cl.** **28-03**

(52) **U.S. Cl.** **D28/30**

(58) **Field of Classification Search** D28/7,
D28/20-22, 30-31; 132/53, 112, 126, 150,
132/208, 219, 216

See application file for complete search history.

(56) **References Cited**

U.S. PATENT DOCUMENTS

D189,866 S *	3/1961	Di Bonaventura	D28/30
D253,969 S *	1/1980	Whiteman	D28/25
4,421,129 A *	12/1983	Wingard	132/163
D369,435 S *	4/1996	Bozak	D28/30
D372,337 S *	7/1996	Esposito	D28/24

D428,529 S *	7/2000	Lucero	D28/25
D428,669 S *	7/2000	Lucero	D28/25
D451,245 S *	11/2001	Harrell	D28/25
D459,546 S *	6/2002	Meyer et al.	D28/30
D471,670 S *	3/2003	Kim et al.	D28/30

* cited by examiner

Primary Examiner—Janice E Seeger

Assistant Examiner—Zenia I Bennett

(74) *Attorney, Agent, or Firm*—Eugene R. Quinn, Jr.

(57) **CLAIM**

The ornamental design for a blending comb, as shown in the drawings.

DESCRIPTION

FIG. 1 is a front perspective of a blending comb;

FIG. 2 is a bottom view of a blending comb;

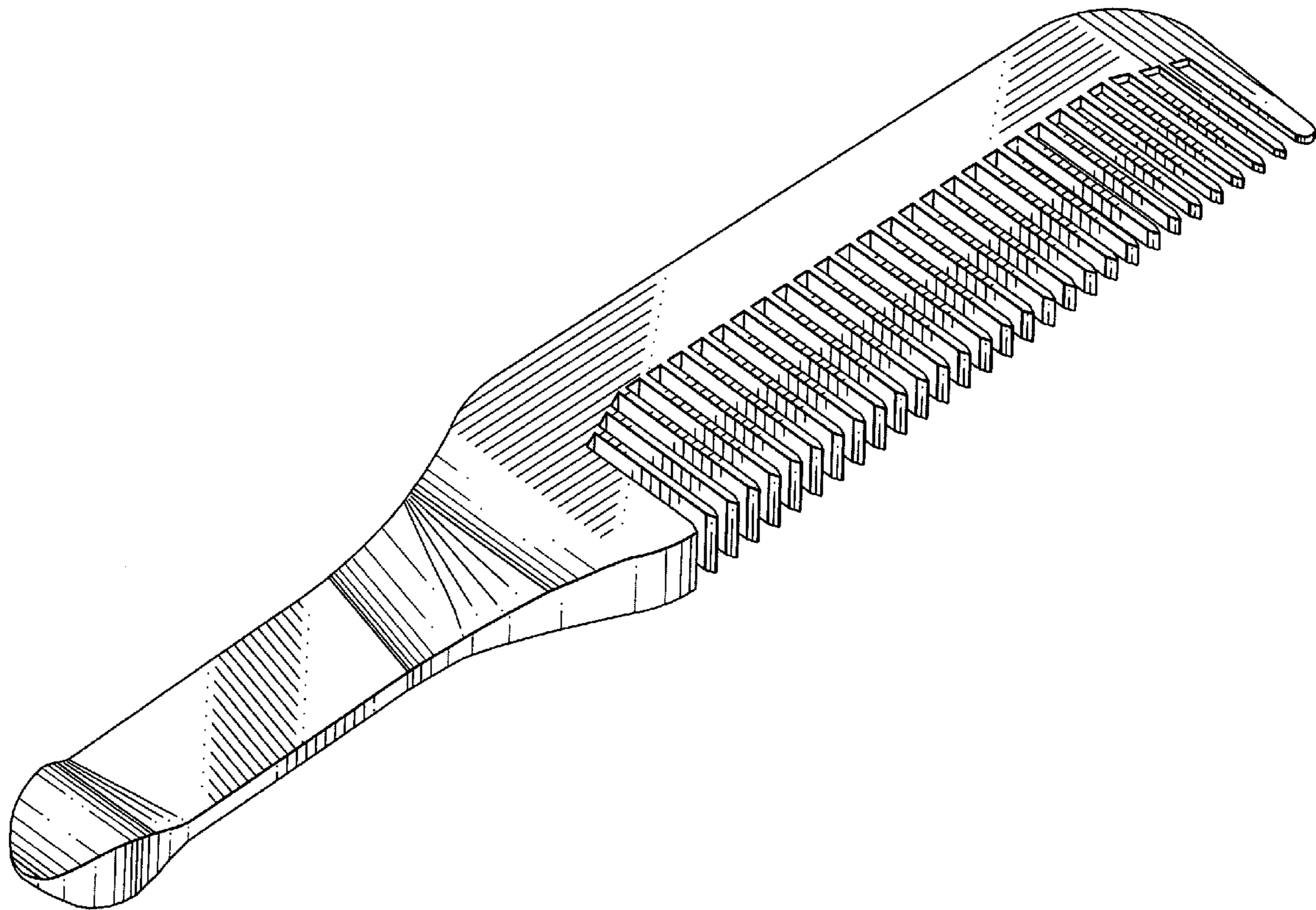
FIG. 3 is a top view of a blending comb;

FIG. 4 is a back view of a blending comb;

FIG. 5 is a front view of a blending comb; and,

FIG. 6 is a side view of a blending comb.

1 Claim, 4 Drawing Sheets



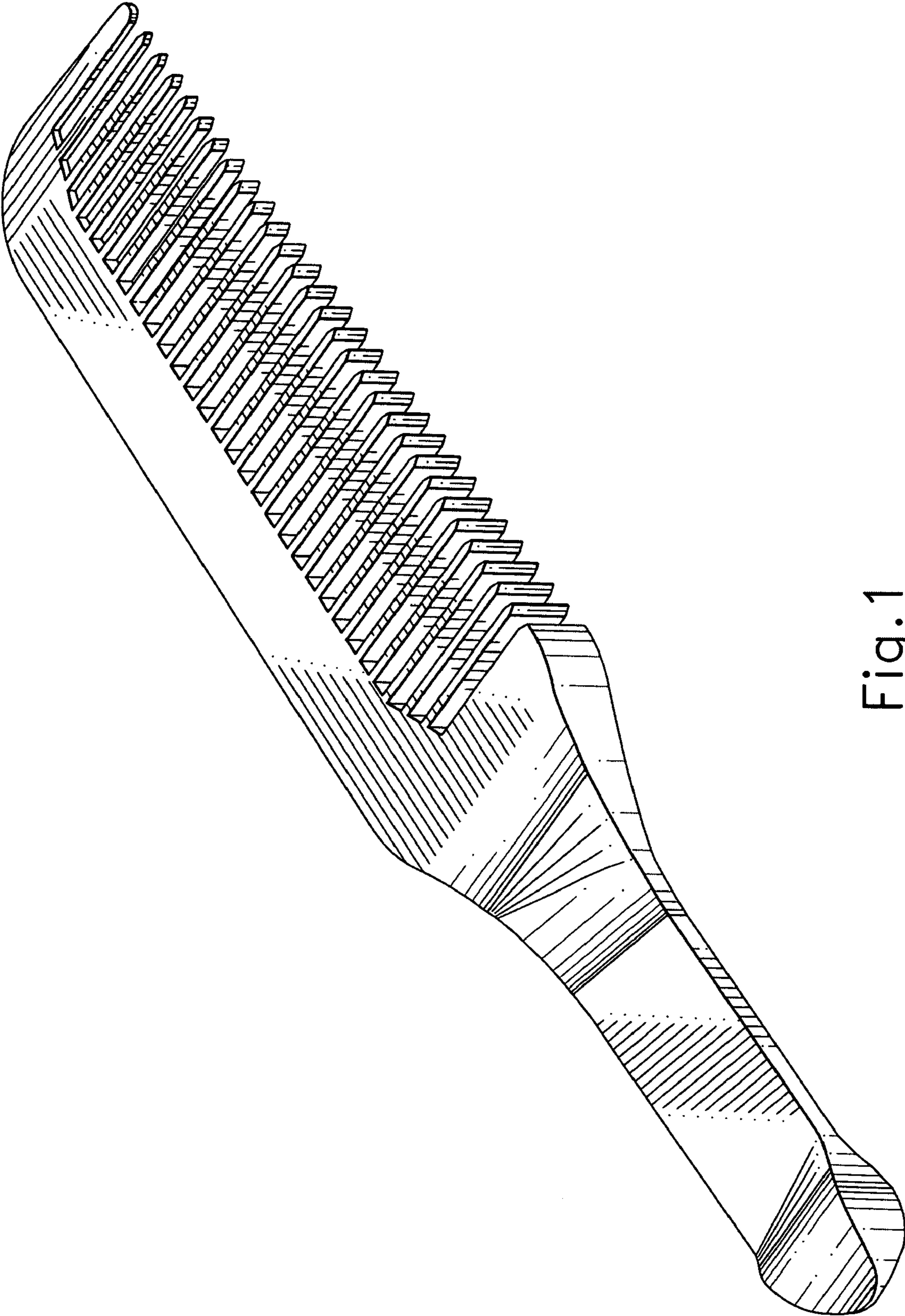


Fig. 1

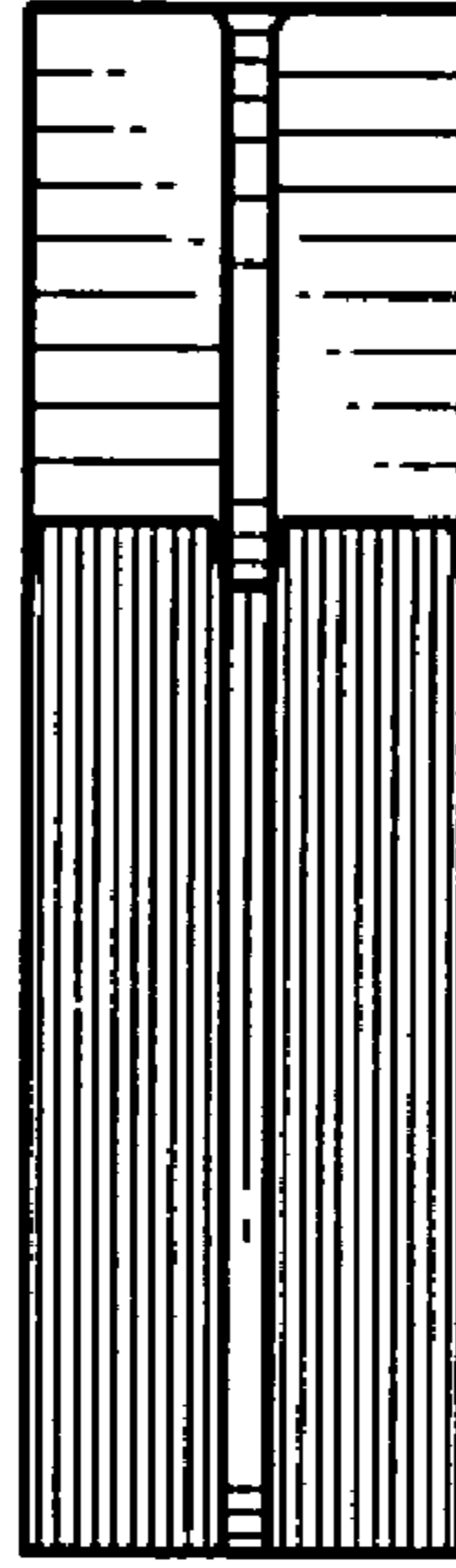


Fig. 3

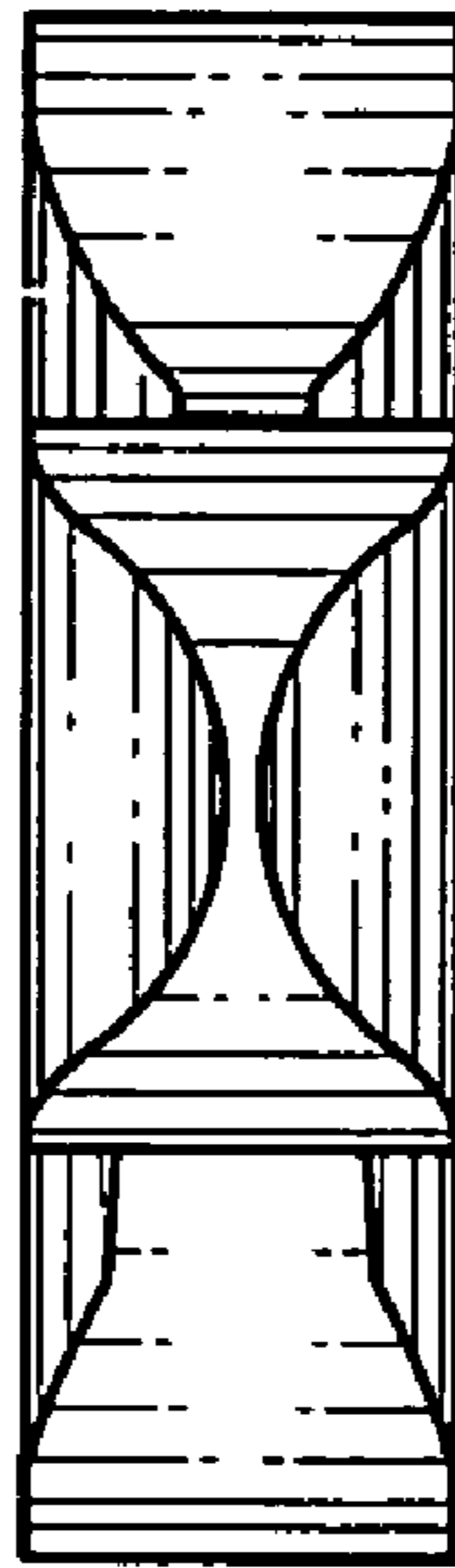


Fig. 2

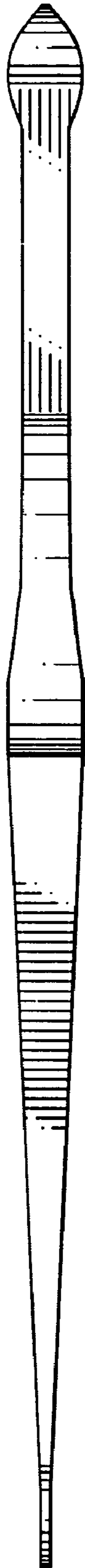


Fig. 4

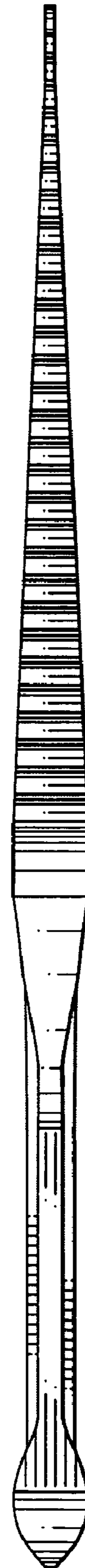


Fig. 5

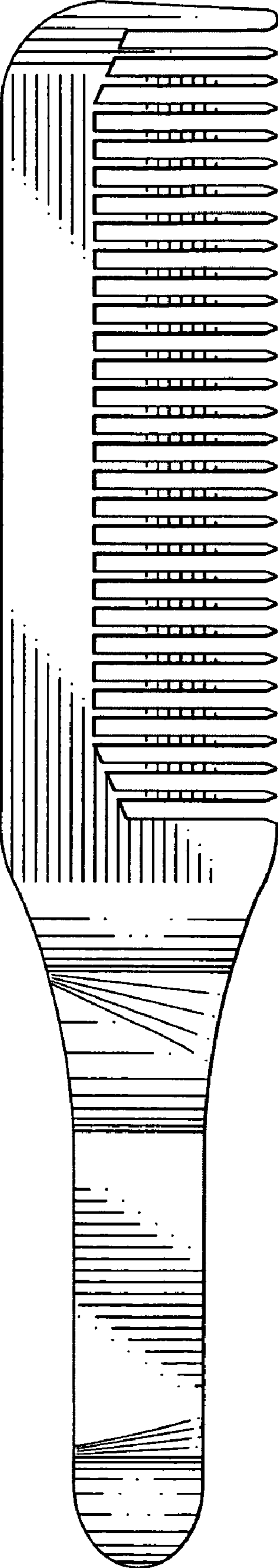


Fig.6