



US00D617047S

(12) **United States Design Patent**
Kim

(10) **Patent No.:** **US D617,047 S**
(45) **Date of Patent:** **** Jun. 1, 2010**

(54) **HAIR DRYER**

D605,354 S * 12/2009 Keong D28/13

(75) Inventor: **Hae Jin Kim**, Seoul (KR)

* cited by examiner

(73) Assignee: **GHD Korea, Inc.** (KR)

Primary Examiner—Janice E Seeger

Assistant Examiner—Zenia I Bennett

(**) Term: **14 Years**

(74) *Attorney, Agent, or Firm*—Park & Associates IP Law LLC

(21) Appl. No.: **29/343,650**

(57) **CLAIM**

(22) Filed: **Sep. 16, 2009**

The ornamental design for a hair dryer, as shown and described.

(51) **LOC (9) Cl.** **28-03**

(52) **U.S. Cl.** **D28/13**

(58) **Field of Classification Search** D28/12–19;
34/96–101; 392/380–385; 219/222

See application file for complete search history.

DESCRIPTION

FIG. 1 is a perspective view of a hair dryer in accordance with the new design;

FIG. 2 is a front elevational view thereof;

FIG. 3 is a rear elevational view thereof;

FIG. 4 is a left side elevational view thereof;

FIG. 5 is a right side elevational view thereof;

FIG. 6 is a top plan view thereof; and,

FIG. 7 is a bottom plan view thereof.

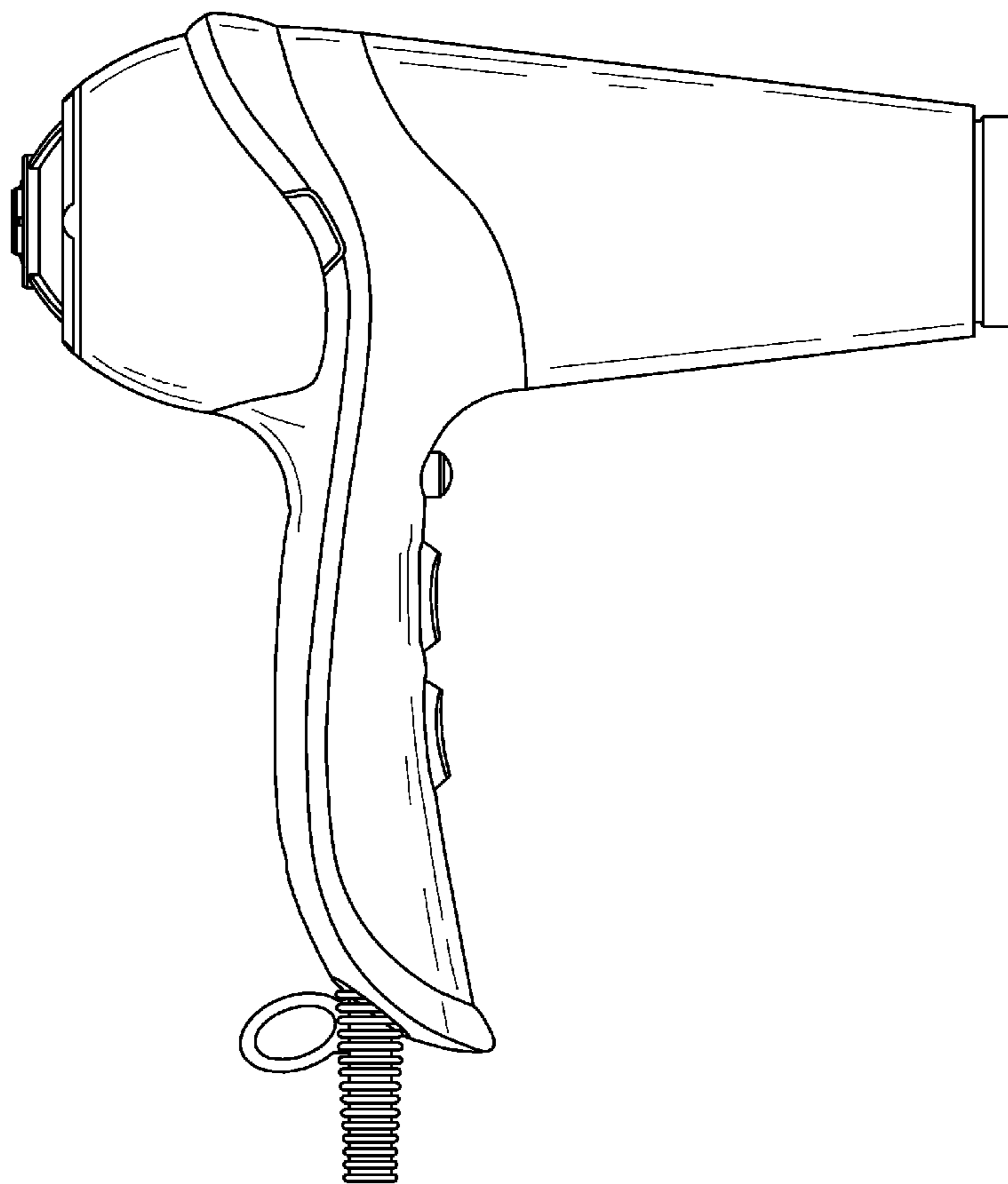
The broken lines in the drawing are for illustrative purposes only and form no part of the claimed design.

(56) **References Cited**

U.S. PATENT DOCUMENTS

D254,833 S *	4/1980	Cooper	D32/18
D436,227 S *	1/2001	Smal et al.	D28/13
D472,345 S *	3/2003	Altamore et al.	D28/13
D543,313 S *	5/2007	Petrucelli, Jr.	D28/13
D559,443 S *	1/2008	Smith et al.	D28/13
D561,392 S *	2/2008	Ceva	D28/13
D600,403 S *	9/2009	Leung	D28/13
D600,404 S *	9/2009	Leung	D28/13
D604,900 S *	11/2009	Yang	D28/13

1 Claim, 6 Drawing Sheets



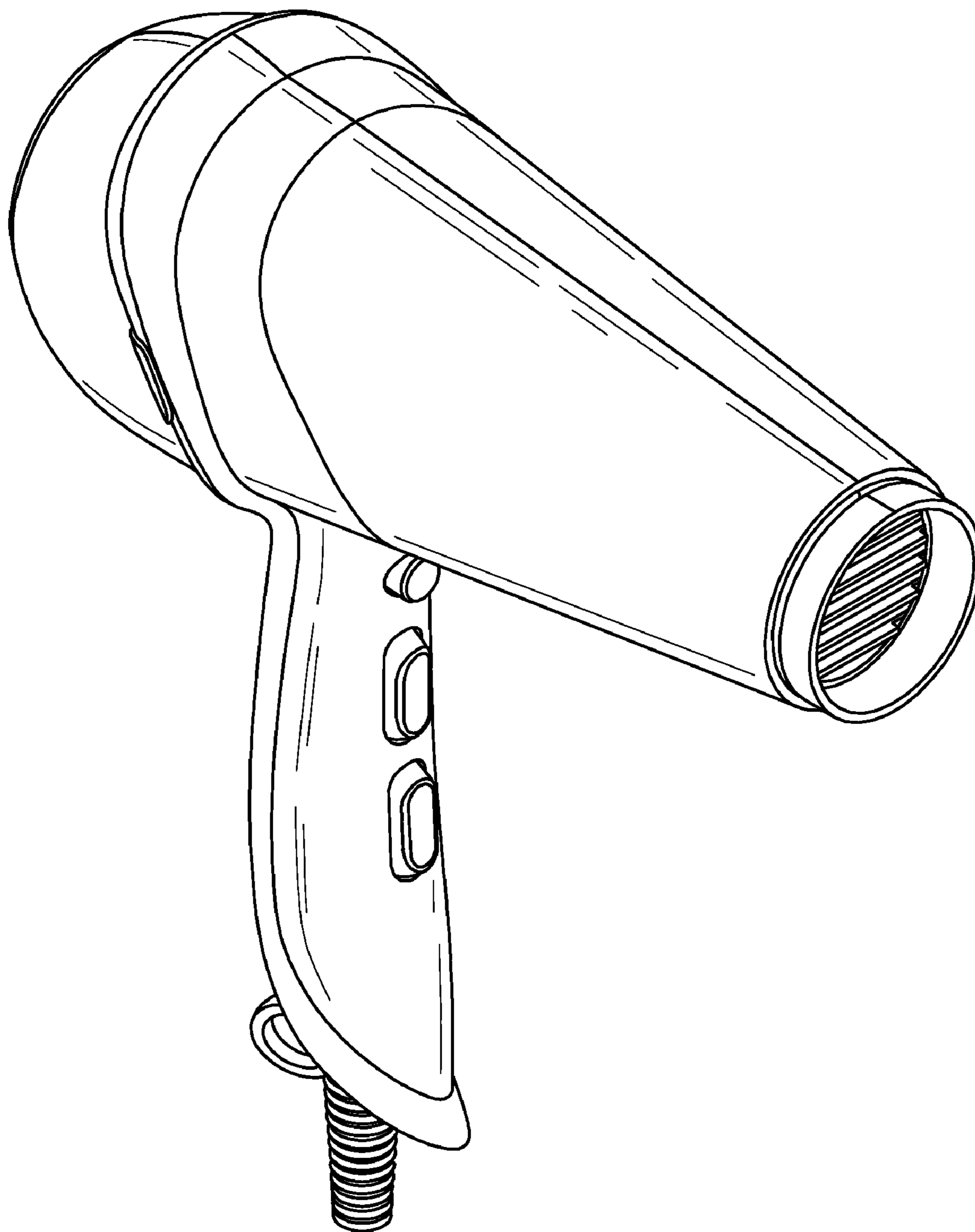


FIG. 1

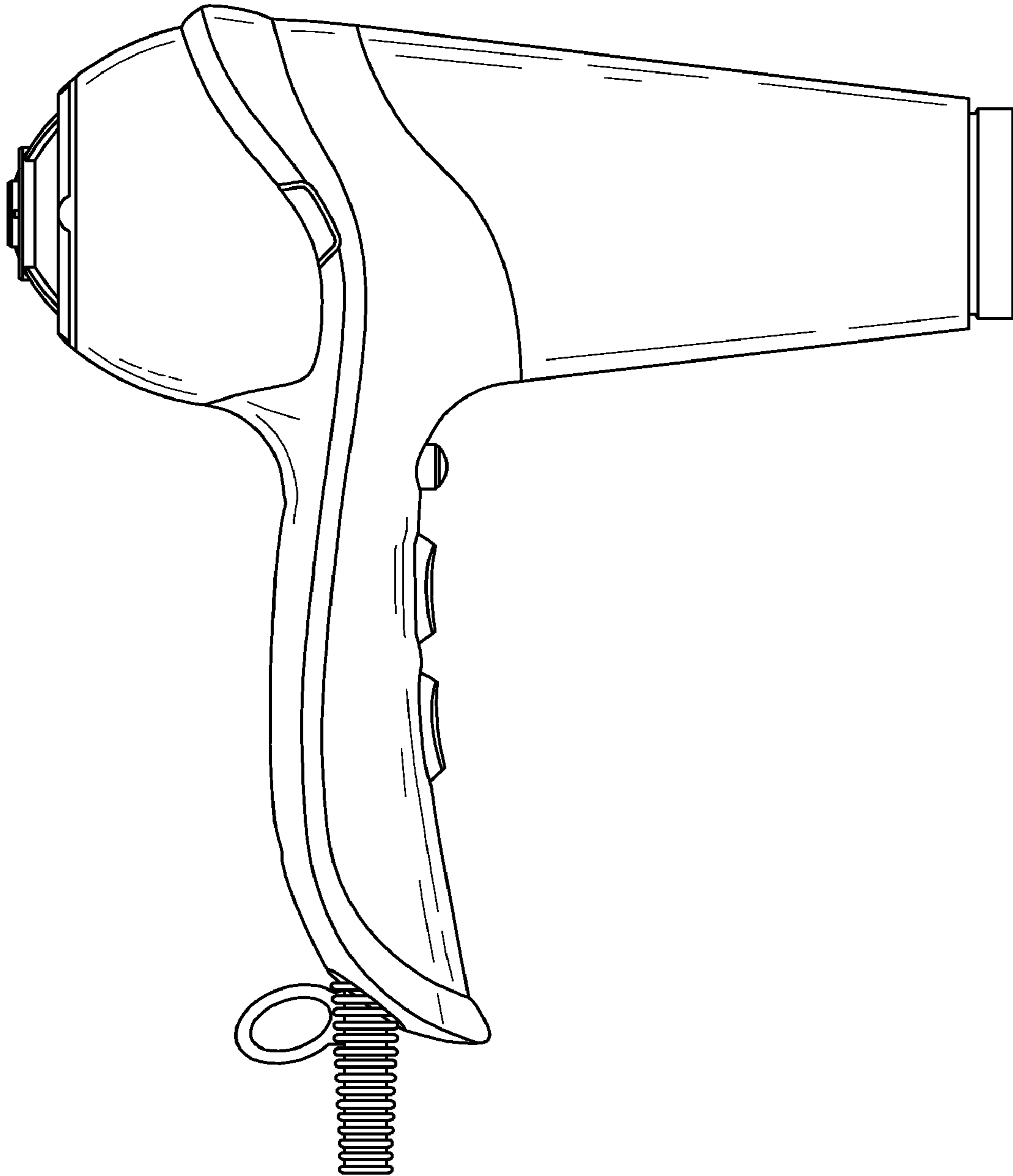


FIG.2

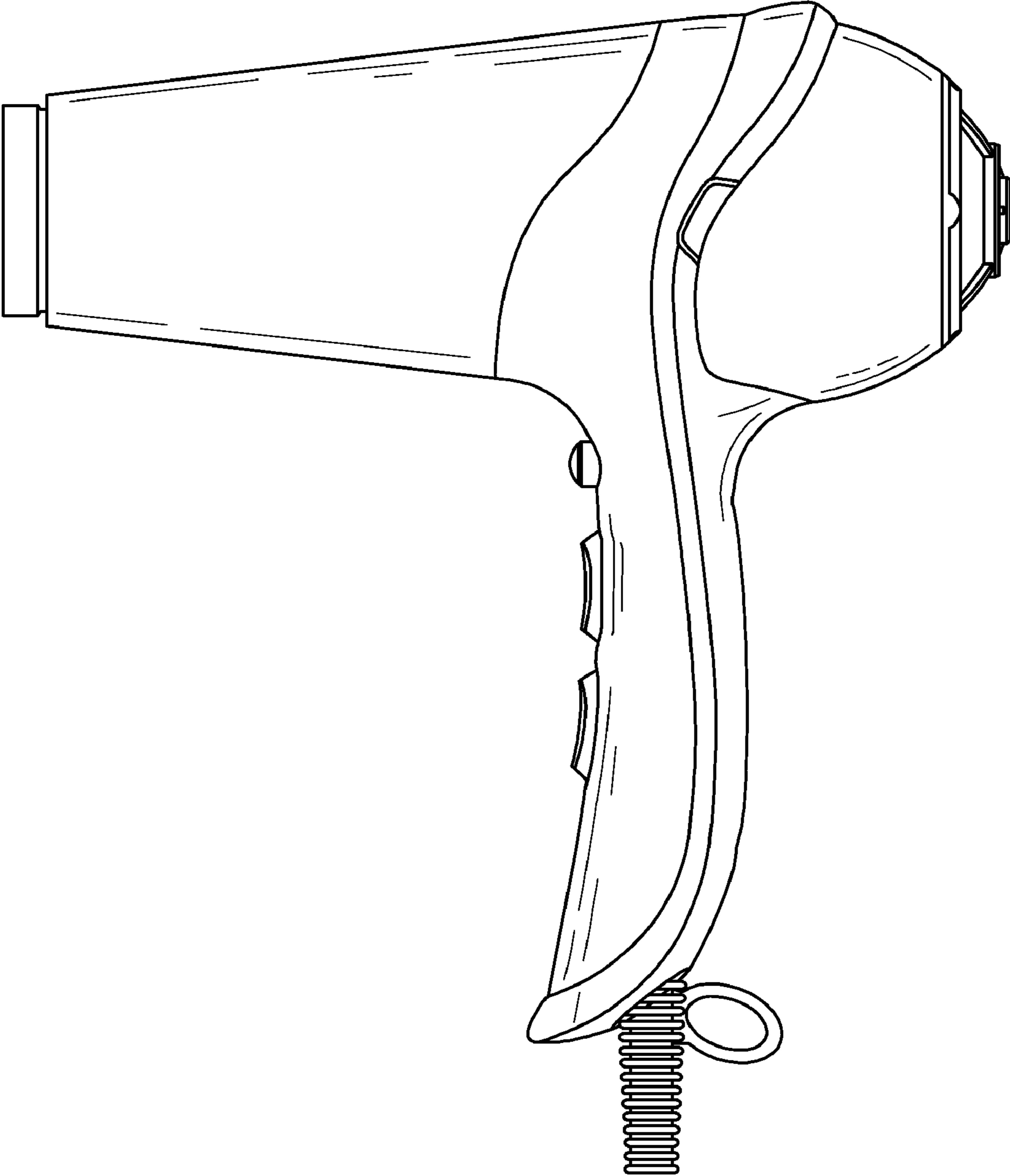


FIG.3

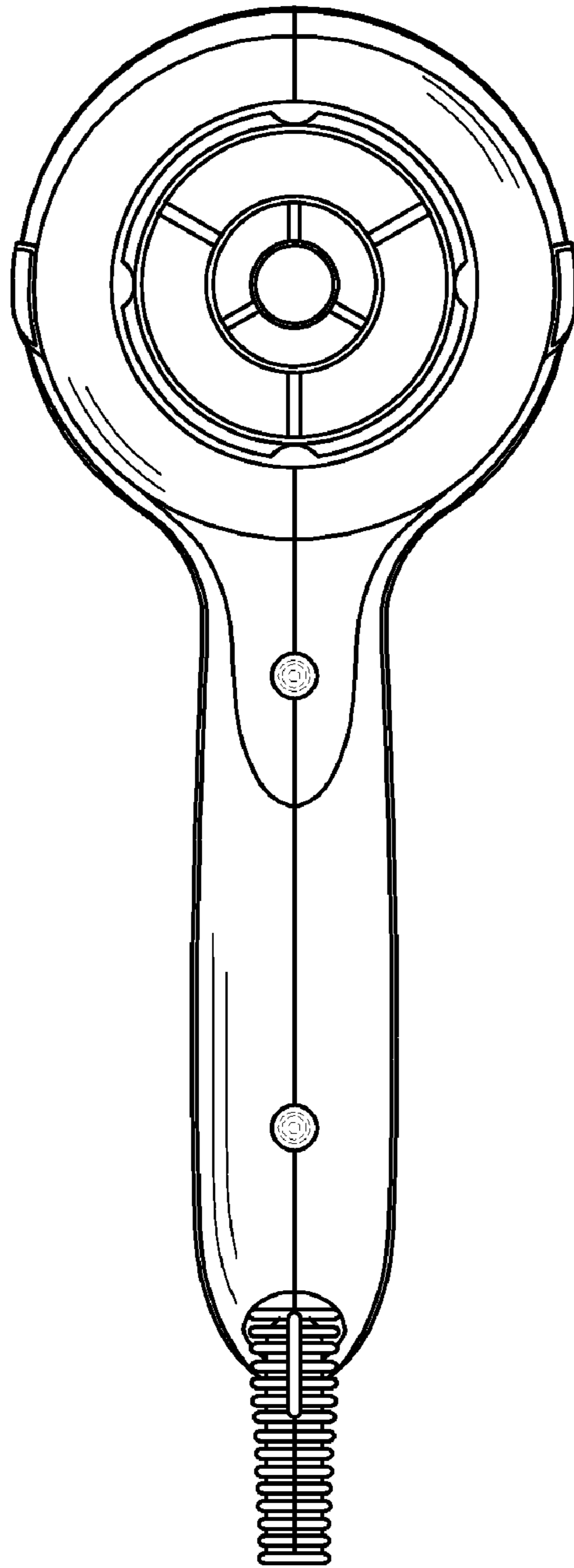


FIG.4

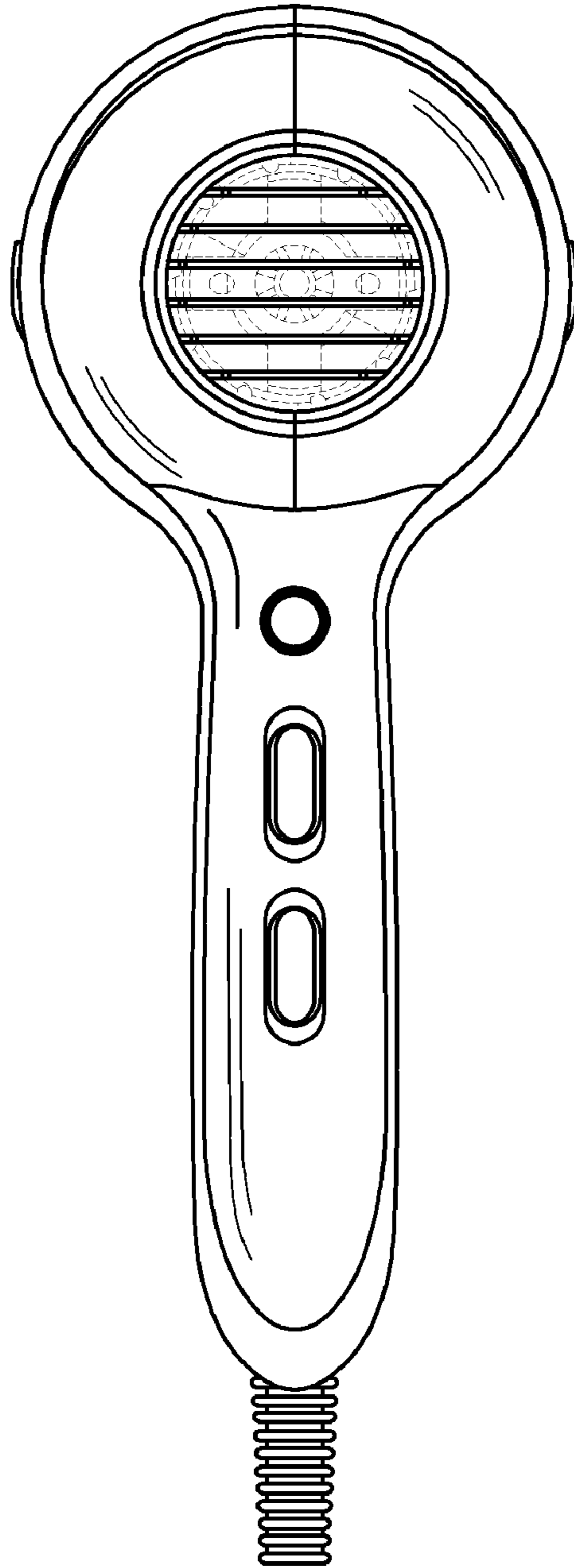


FIG.5

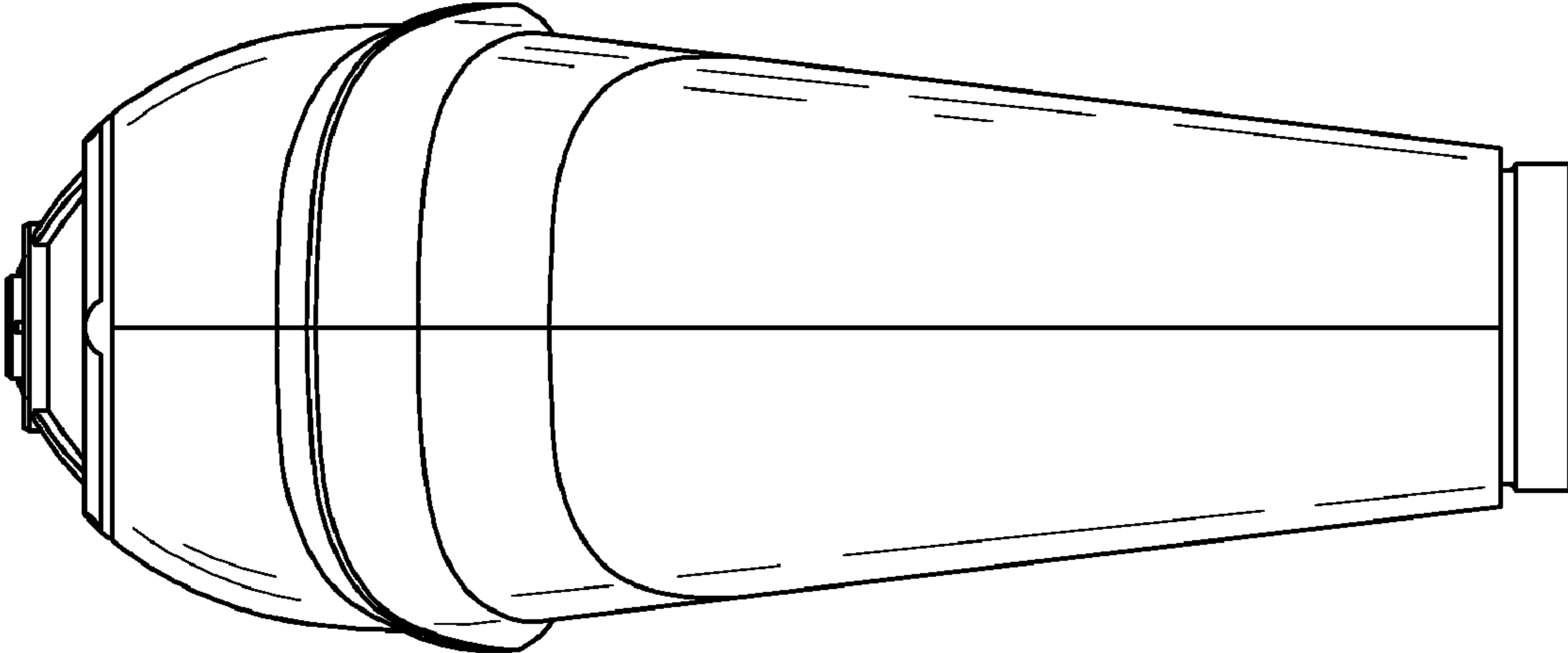


FIG. 6

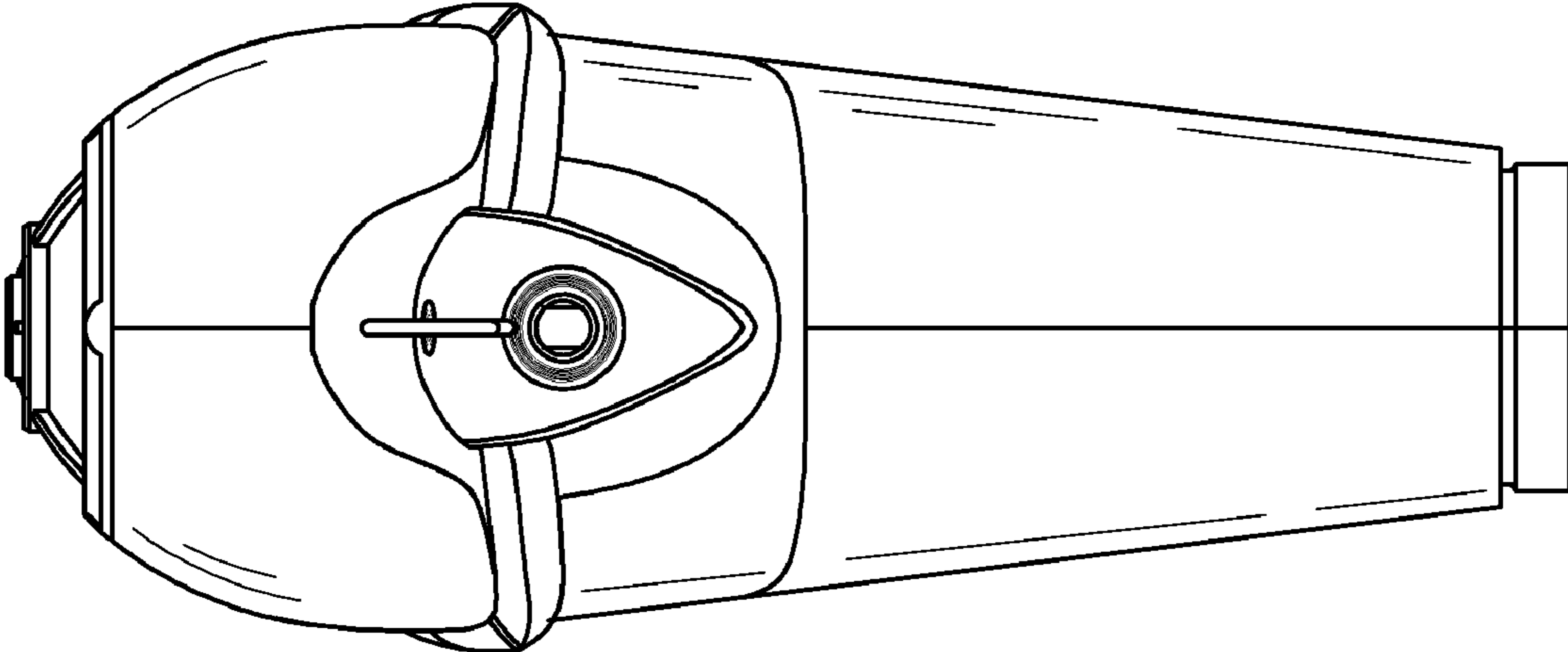


FIG. 7