



US00D617046S

(12) **United States Design Patent**
Bowles

(10) **Patent No.:** **US D617,046 S**
(45) **Date of Patent:** **** Jun. 1, 2010**

(54) **SOAP BAR WITH A CAVITY DESIGN**

(76) Inventor: **John Allen Bowles**, 21271 Saratoga Hills Rd., Saratoga, CA (US) 95070

(**) Term: **14 Years**

(21) Appl. No.: **29/316,105**

(22) Filed: **Sep. 21, 2009**

(51) **LOC (9) Cl.** **28-03**

(52) **U.S. Cl.** **D28/8.1**

(58) **Field of Classification Search** 510/141-145,
510/139, 440-442, 298, 447-450; D28/4,
D28/8.1-8.2

See application file for complete search history.

(56) **References Cited**

U.S. PATENT DOCUMENTS

852,305 A * 4/1907 Wach 248/684
4,308,157 A * 12/1981 Di Giovanna 510/143

5,221,506 A * 6/1993 Dulin 510/143

* cited by examiner

Primary Examiner—Jennifer Rivard

(57) **CLAIM**

The ornamental design for the soap bar with a cavity design, as shown and described.

DESCRIPTION

FIG. 1 is a perspective view of the soap bar with a cavity design.

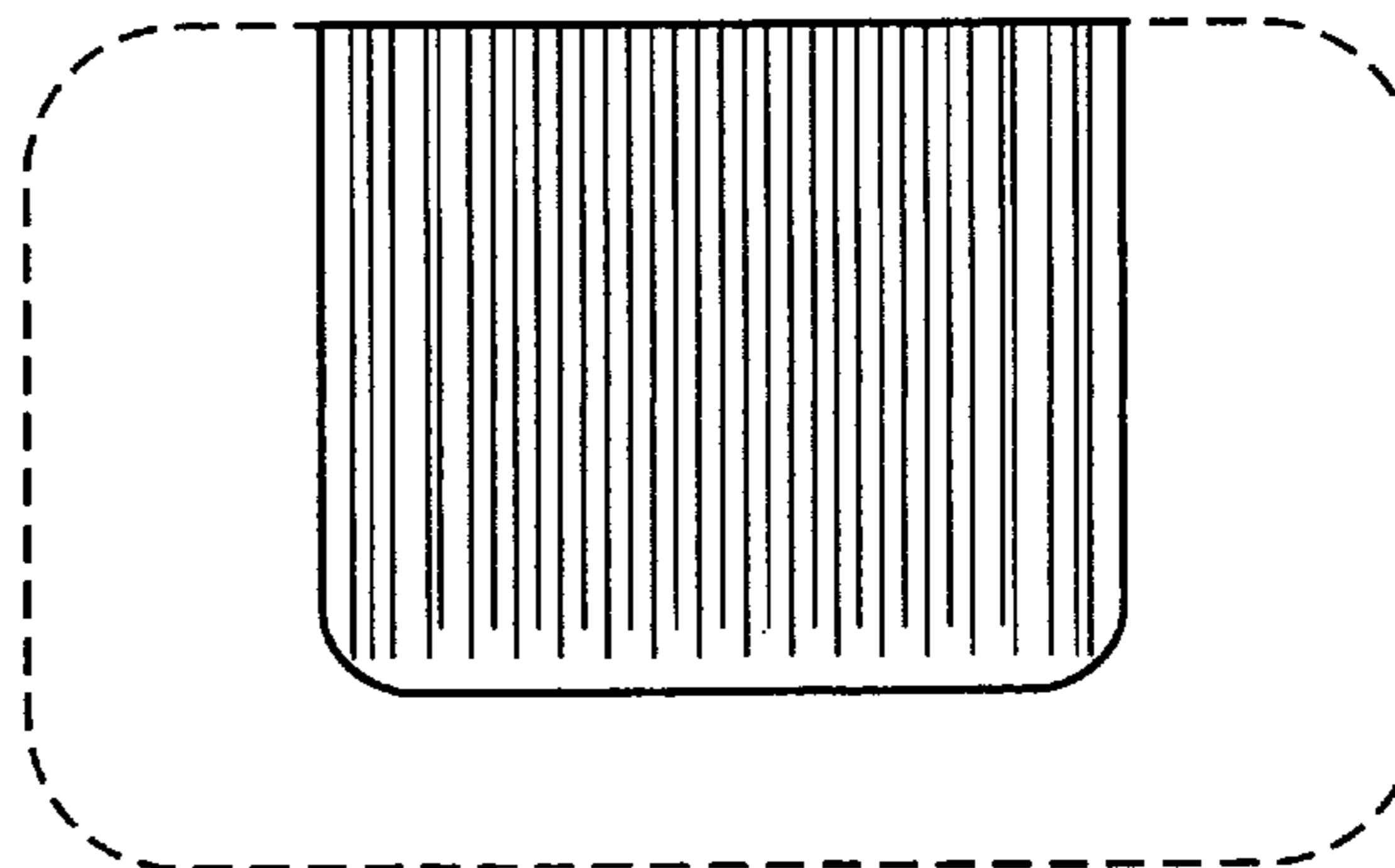
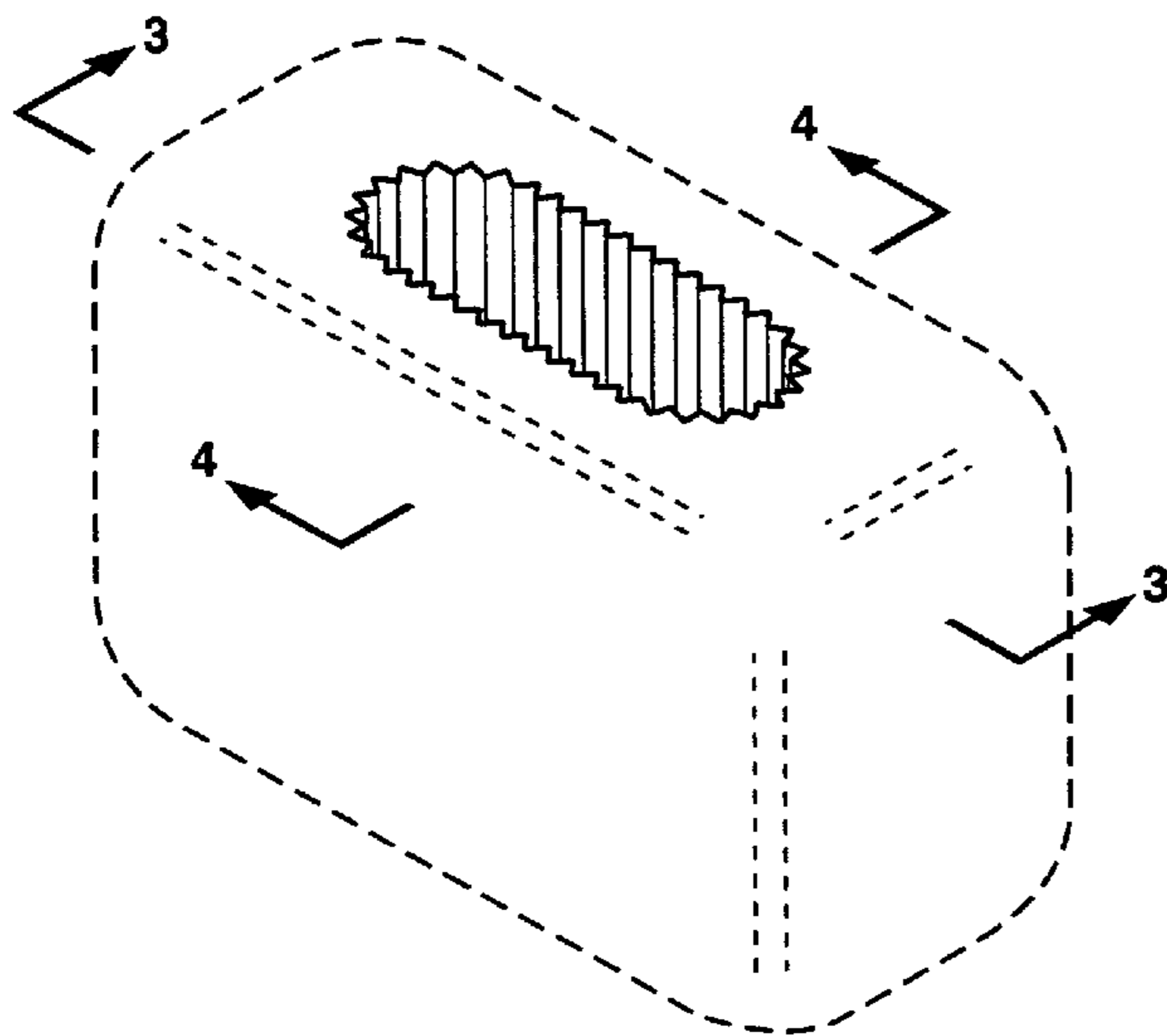
FIG. 2 is top view.

FIG. 3 is a cross sectional view taken along line 3-3 in FIG. 1; and,

FIG. 4 is a cross sectional view taken along line 4-4 in FIG. 1.

The broken lines illustrating the soap bar are shown for environment and form no part of the claimed design.

1 Claim, 1 Drawing Sheet



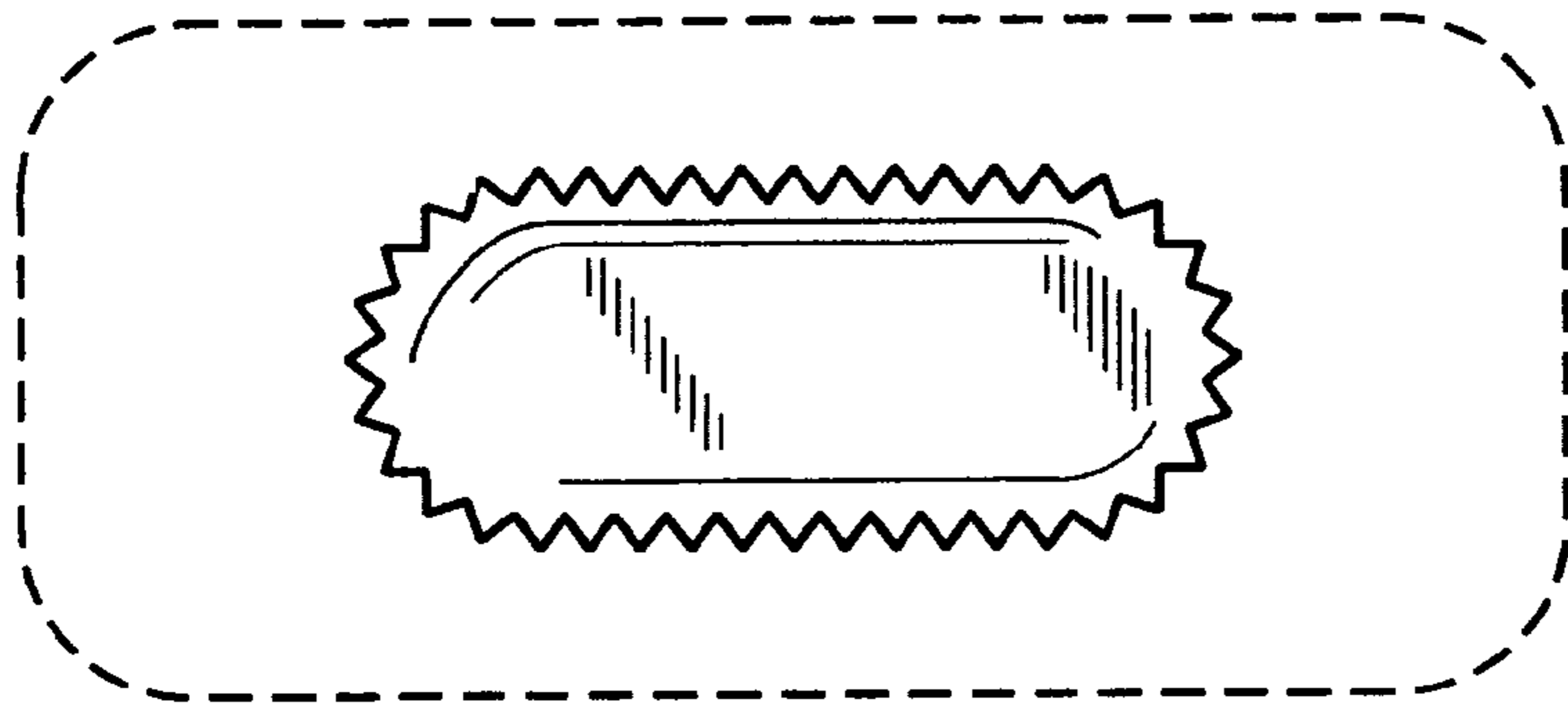
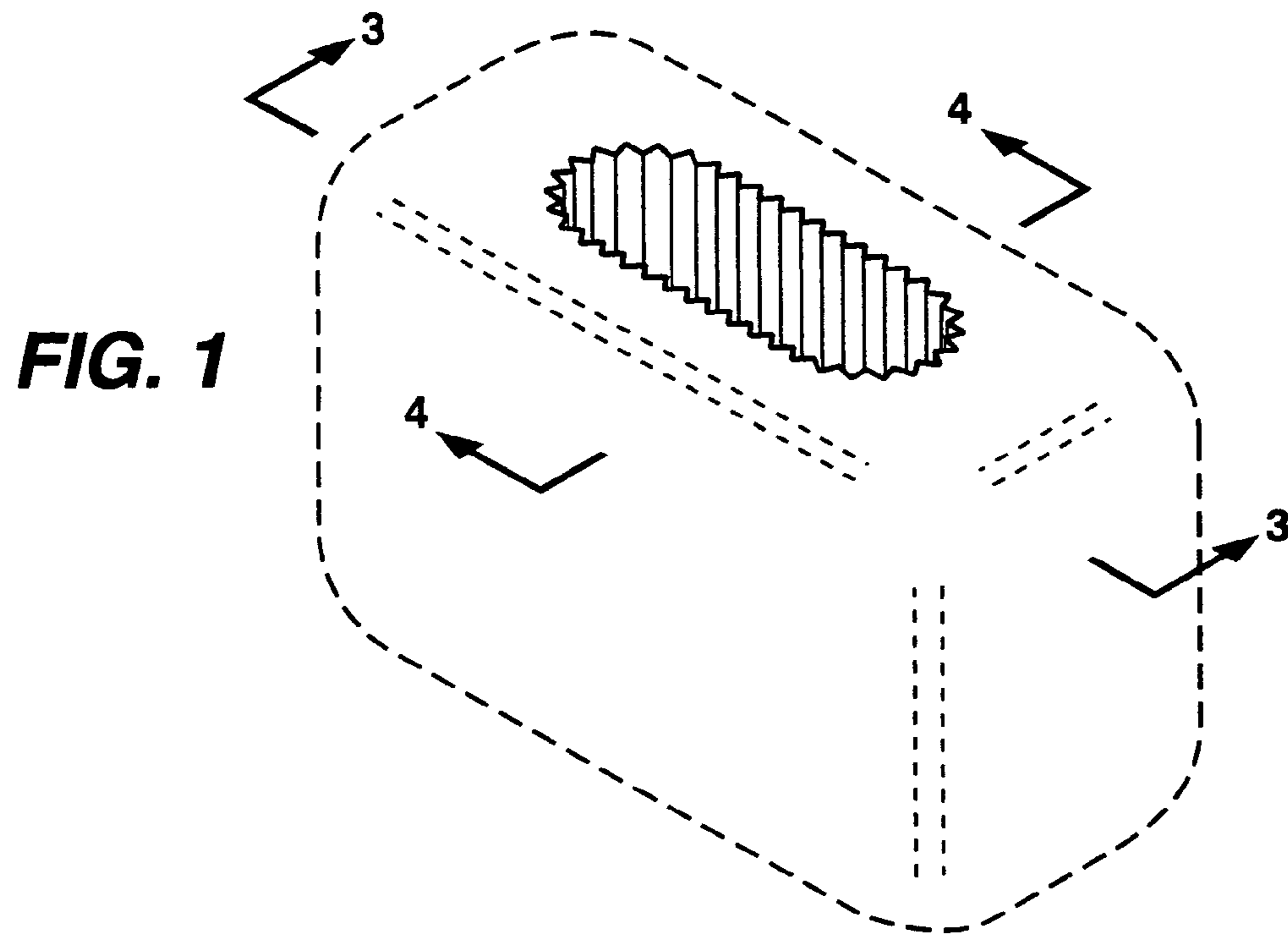


FIG. 2

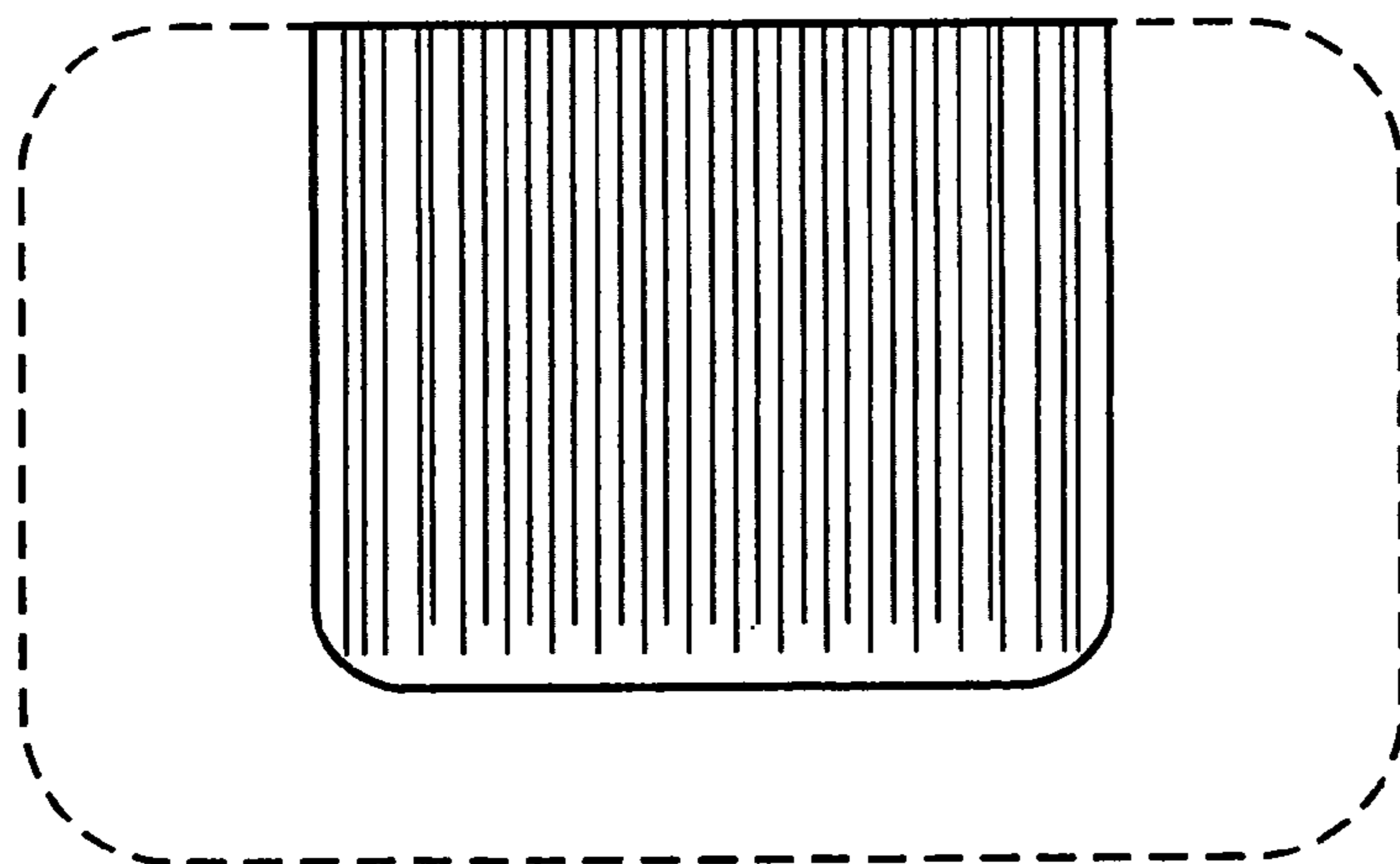


FIG. 3

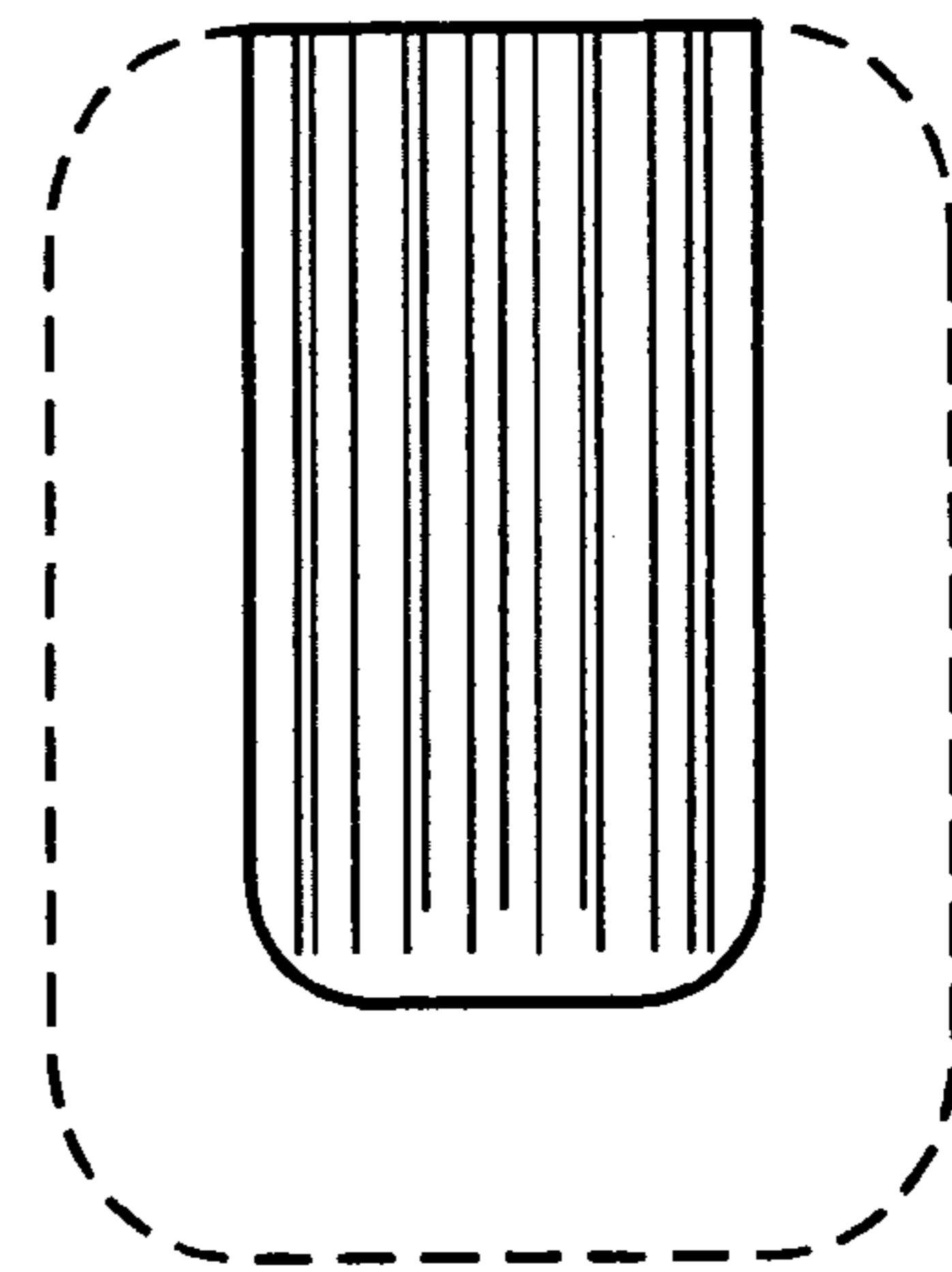


FIG. 4