



US00D617041S

(12) **United States Design Patent**  
**Shi**

(10) **Patent No.:** **US D617,041 S**  
(45) **Date of Patent:** **\*\* Jun. 1, 2010**

(54) **CONNECTION COVER FOR CONNECTING AN ADVERTISEMENT BOX ONTO A LAMPPOST**

(76) Inventor: **Yucheng Shi**, Rm. 401, Unit 6, Building 10, Jingshuyuan, Haidian District, Beijing 100083 (CN)

(\*\*) Term: **14 Years**

(21) Appl. No.: **29/303,872**

(22) Filed: **Feb. 19, 2008**

(51) **LOC (9) Cl.** ..... **26-99**

(52) **U.S. Cl.** ..... **D26/142**

(58) **Field of Classification Search** ..... D26/145, D26/154, 155, 142, 118, 138, 120, 92, 87, D26/71, 67, 60, 62, 63, 68, 70, 72, 80, 81, D26/85, 86, 88, 113, 140, 141, 143, 144, D26/153; D25/126, 127; 52/28, 295; 362/432, 362/443, 800, 431, 153, 153.1, 395, 401, 362/405, 410; D20/17, 19, 10, 41; D6/491, D6/495

See application file for complete search history.

(56) **References Cited**

**U.S. PATENT DOCUMENTS**

1,667,828	A *	5/1928	Speer	.....	362/431
D85,587	S *	11/1931	Lewis	.....	D20/41
D86,608	S *	3/1932	Kratz	.....	D6/495
D93,714	S *	10/1934	Griffin	.....	D20/41
D195,853	S *	8/1963	Ogden	.....	D6/495
3,119,588	A *	1/1964	Keats	.....	248/158
3,415,475	A *	12/1968	Goodman	.....	248/158
4,083,426	A *	4/1978	Peugh	.....	181/156

(Continued)

*Primary Examiner*—Cathron C Brooks  
*Assistant Examiner*—Kevin K Rudzinski  
(74) *Attorney, Agent, or Firm*—J.C. Patents

(57) **CLAIM**

The ornamental design for a connection cover for connecting an advertisement box onto a lamppost, as shown and described.

**DESCRIPTION**

FIG. 1 is a front elevational view of the first embodiment, the rear view is symmetrical to the front elevational view thereof.

FIG. 2 is a left side elevational view thereof, the right side elevational view is symmetrical to the left side elevational view thereof.

FIG. 3 is a top plan view thereof.

FIG. 4 is a perspective view thereof.

FIG. 5 is a reduced scale perspective view showing the design in use for clarity of illustration.

FIG. 6 is another reduced scale perspective view showing the design in use for clarity of illustration.

The bottom view is omitted because it could not be seen when using.

FIG. 7 is a front elevational view of the second embodiment, the rear view is symmetrical to the front elevational view thereof.

FIG. 8 is a top plan view thereof.

FIG. 9 is a left side elevational view thereof, the right side elevational view is symmetrical to the left side elevational view thereof.

FIG. 10 is a perspective view thereof.

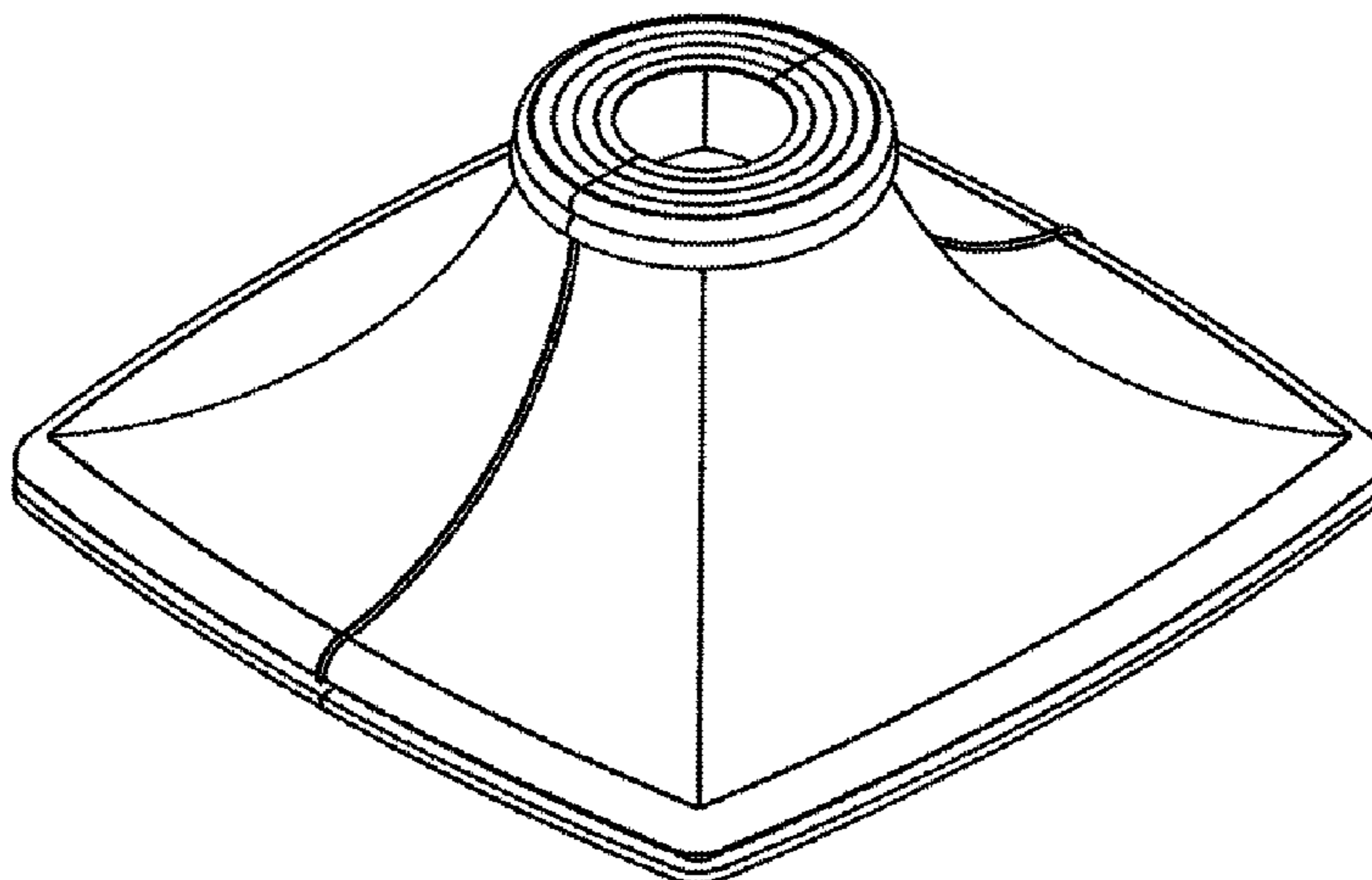
FIG. 11 is a reduced scale perspective view showing the design in use for clarity of illustration; and,

FIG. 12 is another reduced scale perspective view showing the design in use for clarity of illustration.

The bottom view is omitted because it could not be seen when using.

The broken lines are directed to environment and form no part of the claimed design.

**1 Claim, 8 Drawing Sheets**



# US D617,041 S

Page 2

---

## U.S. PATENT DOCUMENTS

D305,702 S *	1/1990	Taliani et al. ....	D3/10	D427,367 S *	6/2000	Miranda .....	D26/142
D328,210 S *	7/1992	Callon .....	D6/511	6,256,961 B1 *	7/2001	Byrnes .....	52/835
D350,041 S *	8/1994	Schwarzli .....	D6/495	D458,485 S *	6/2002	Tramontina .....	D6/515
5,704,580 A *	1/1998	Peery, Jr. ....	248/345	D463,183 S *	9/2002	Tramontina .....	D6/515
5,832,675 A *	11/1998	Zuares .....	52/60	D497,684 S *	10/2004	Hon et al. ....	D26/67
D403,823 S *	1/1999	Thomsen .....	D34/6	D553,285 S *	10/2007	Curtin .....	D26/67
D416,644 S *	11/1999	Swope .....	D26/142	D566,109 S *	4/2008	Varma et al. ....	D14/227

\* cited by examiner

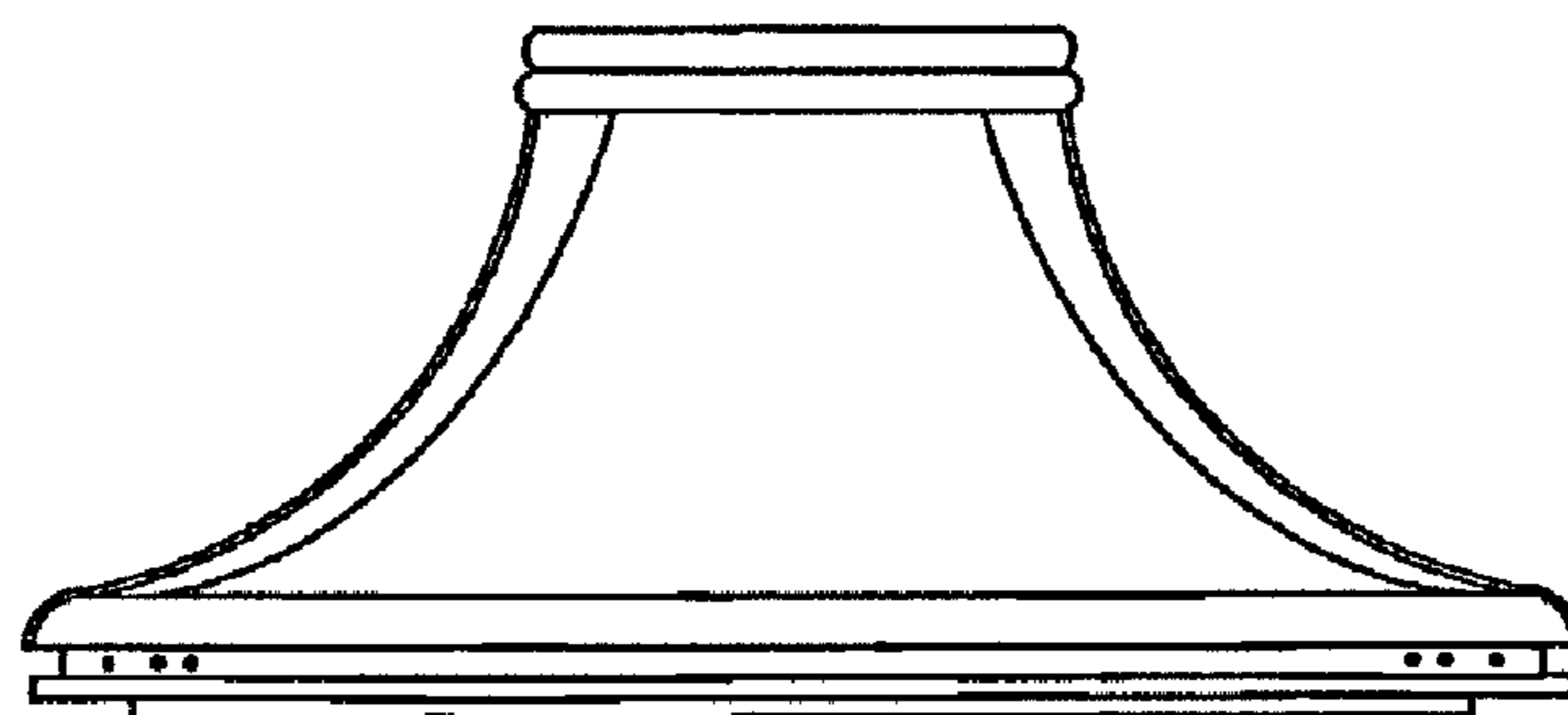


FIG. 1

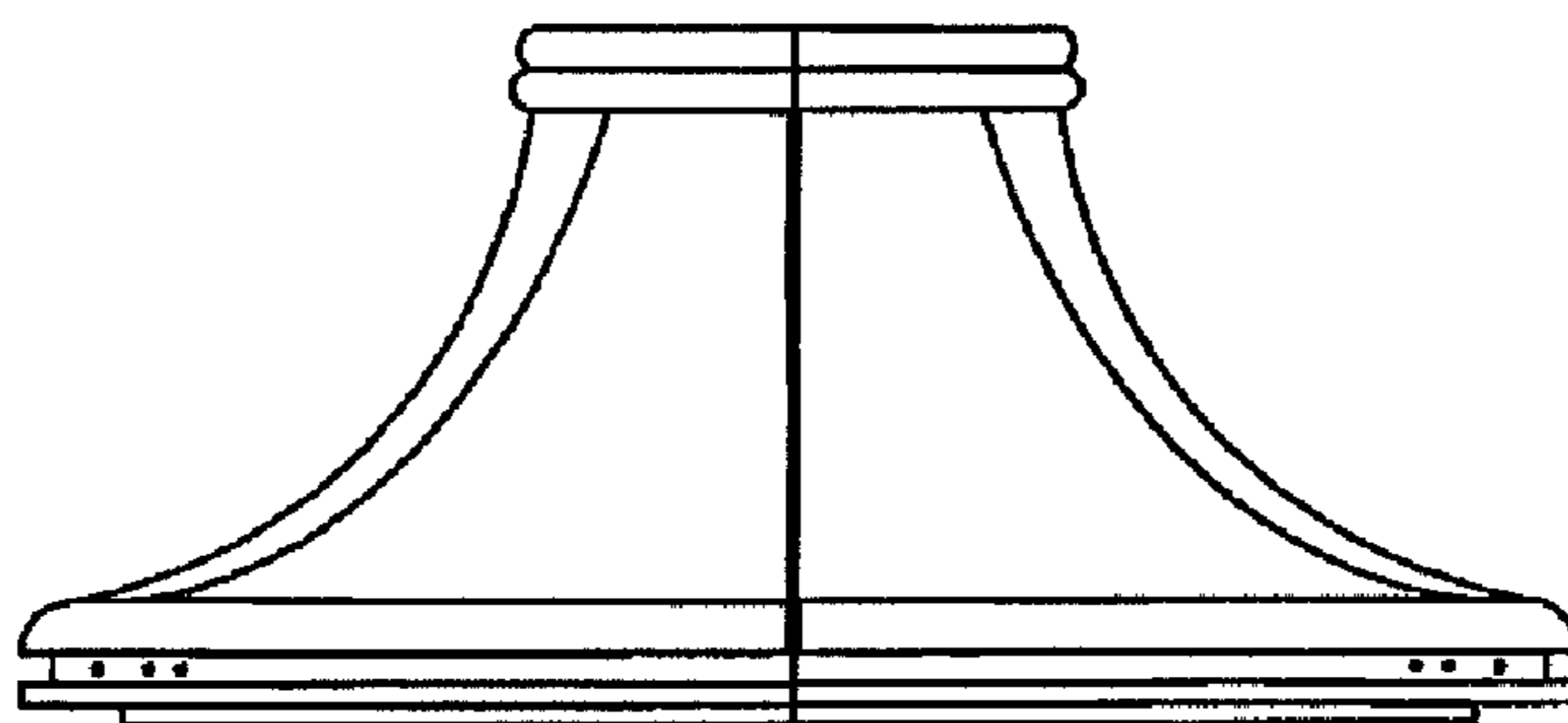


FIG. 2

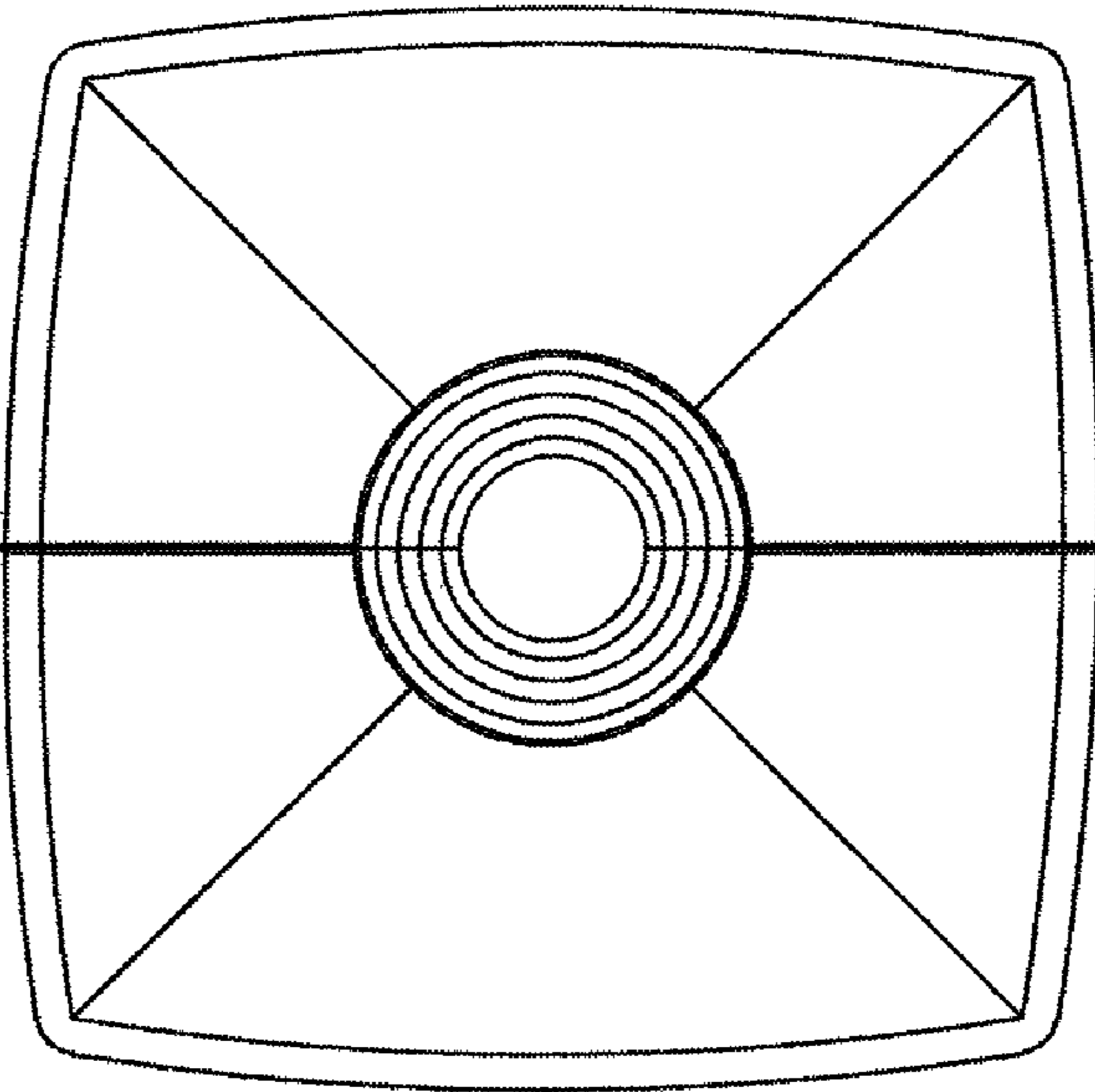


FIG. 3

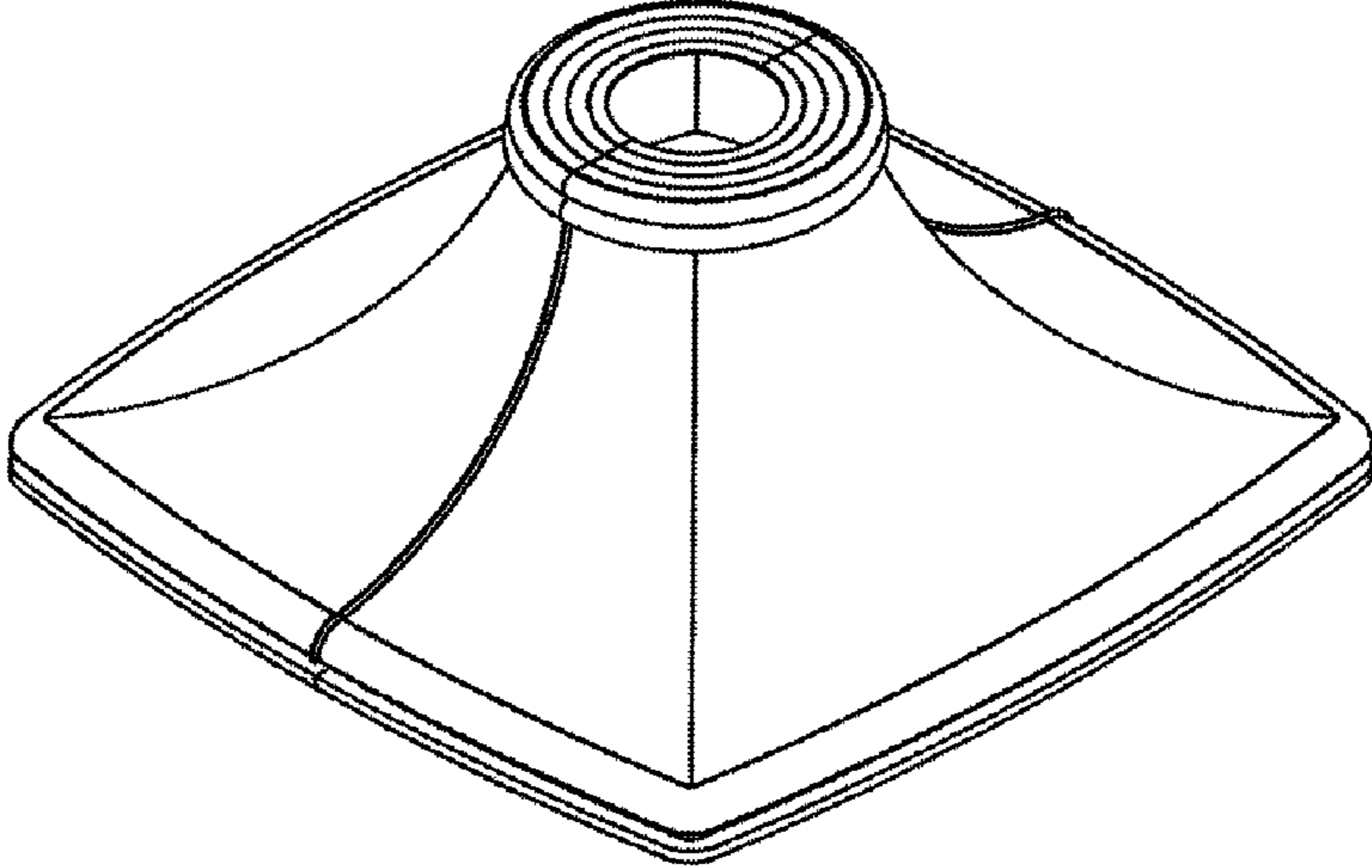


FIG. 4

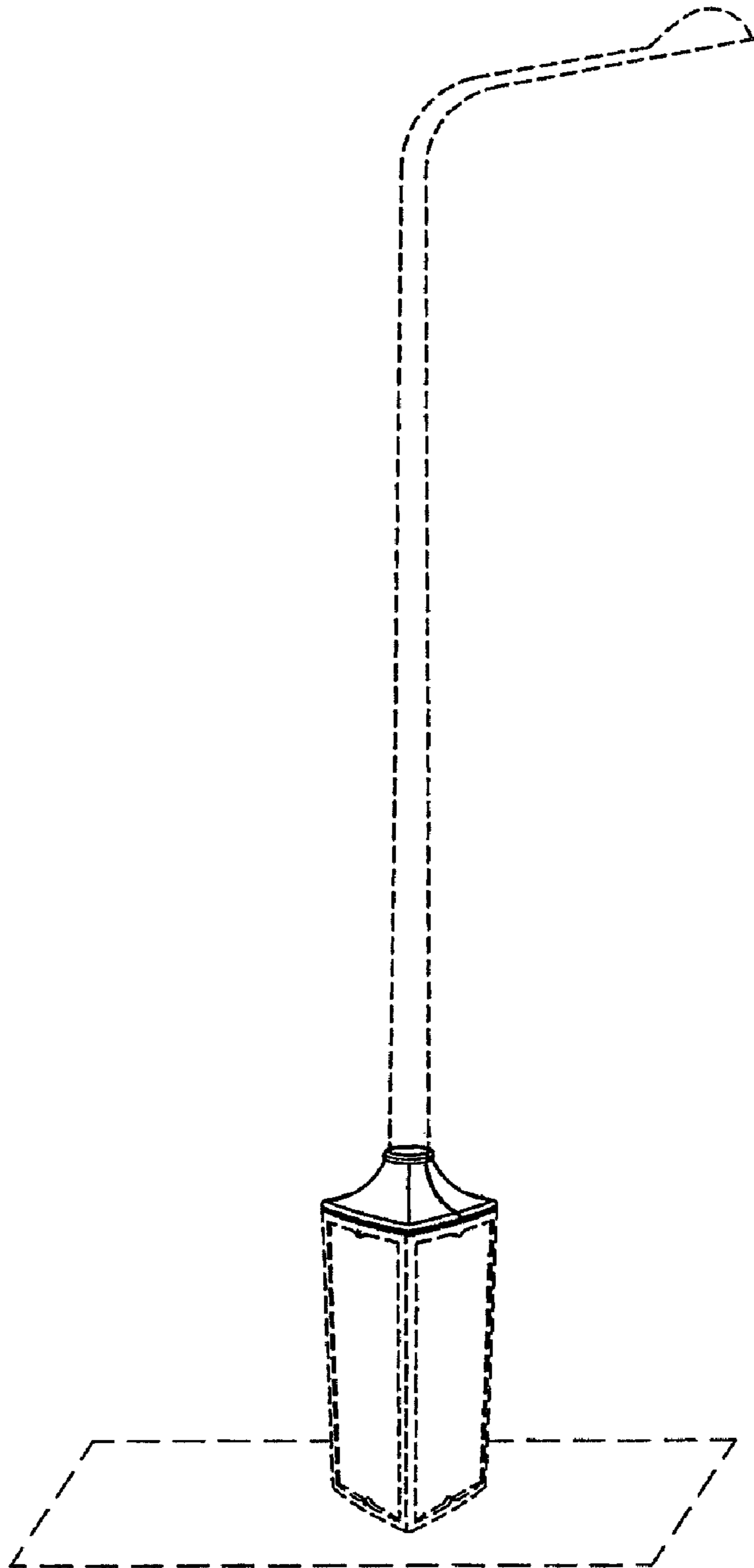


FIG. 5

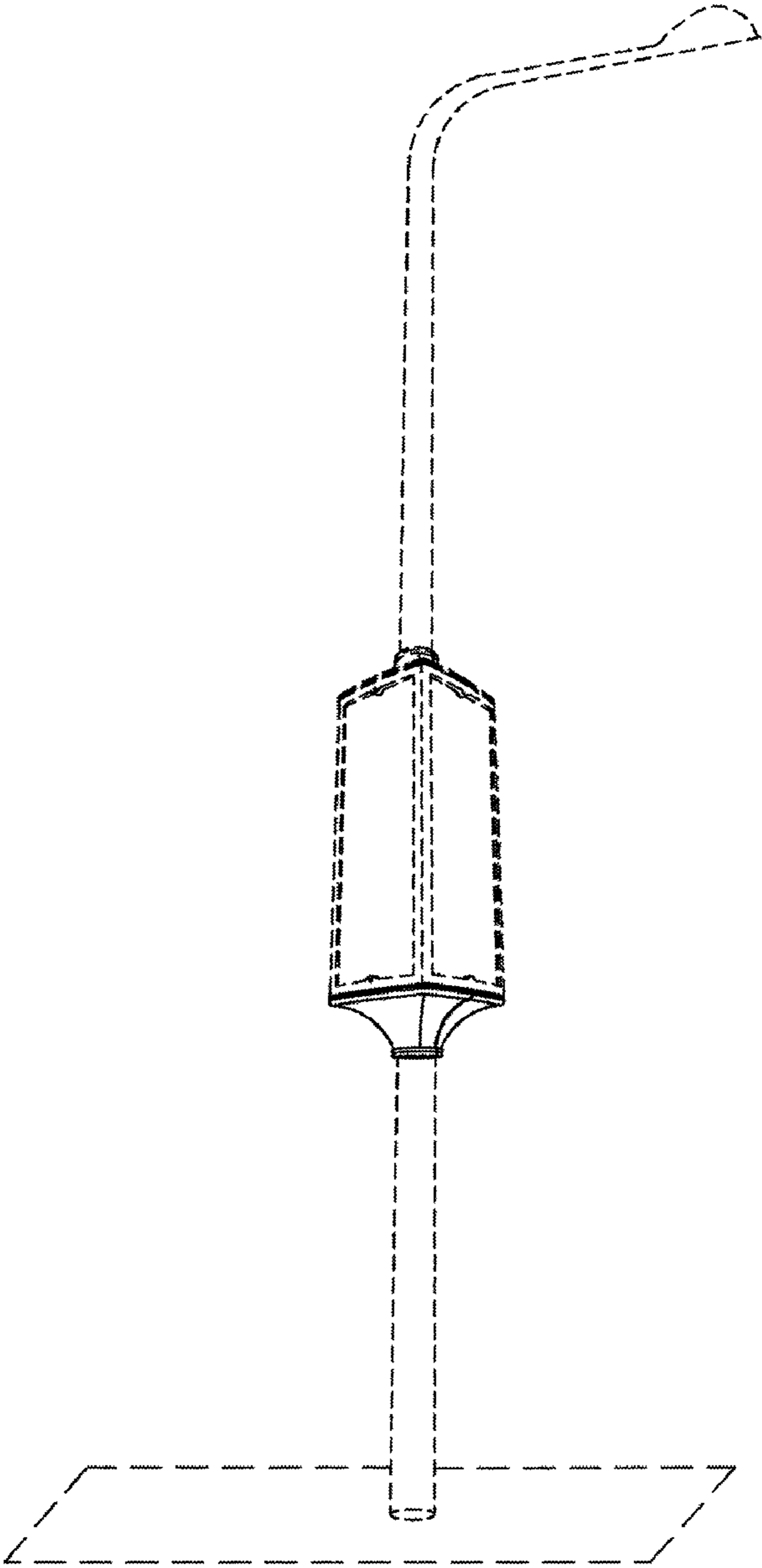


FIG. 6

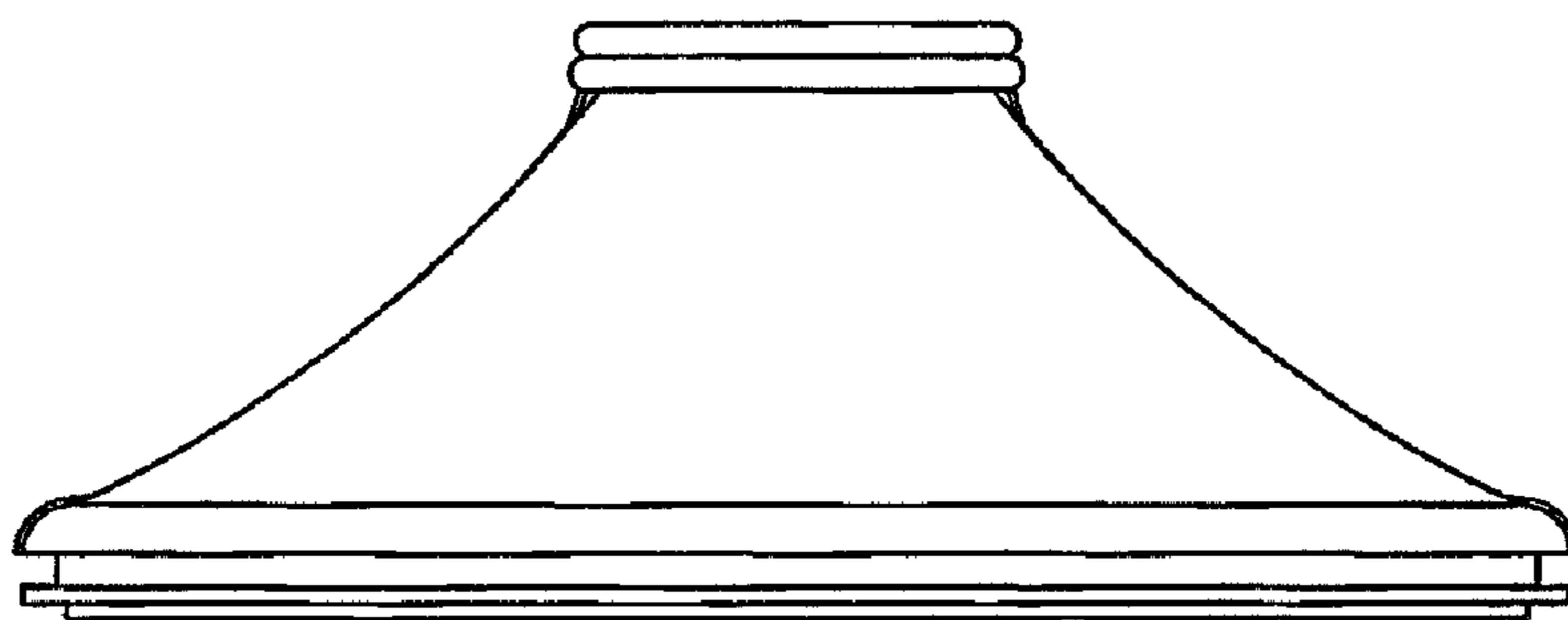


FIG. 7

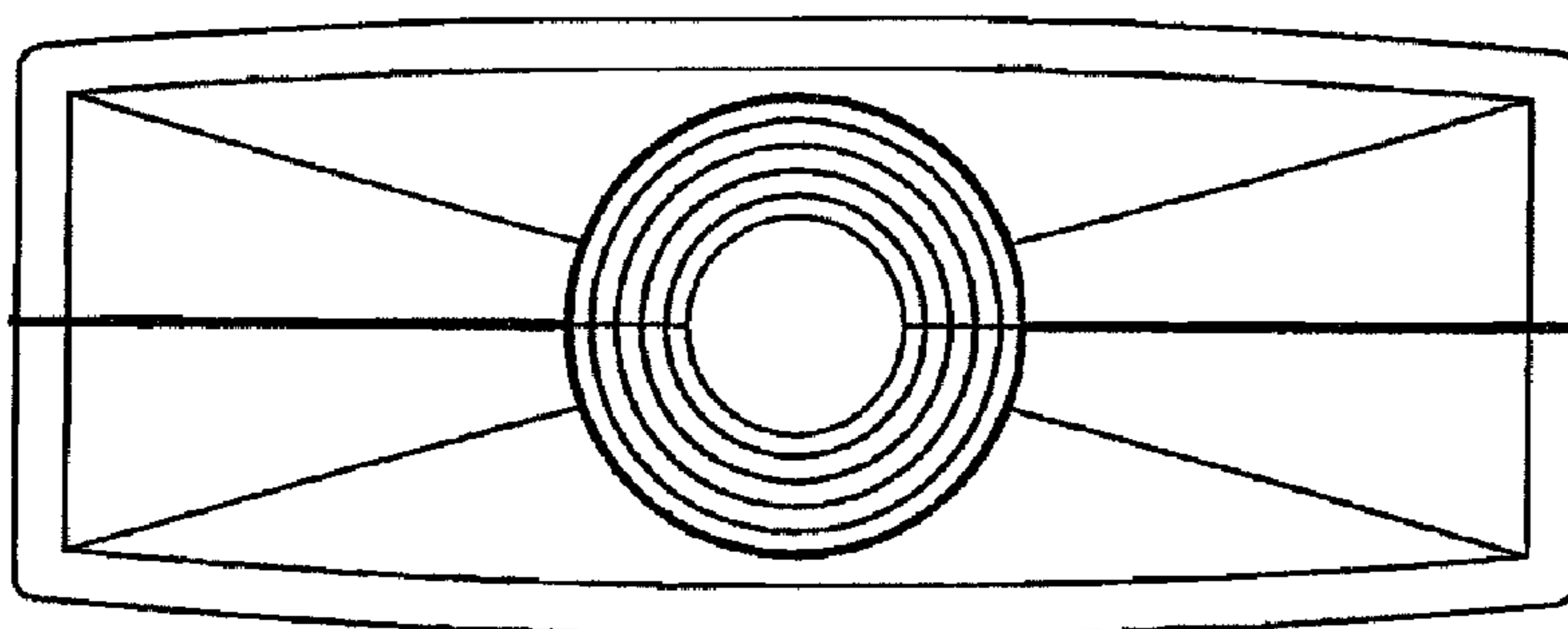


FIG. 8

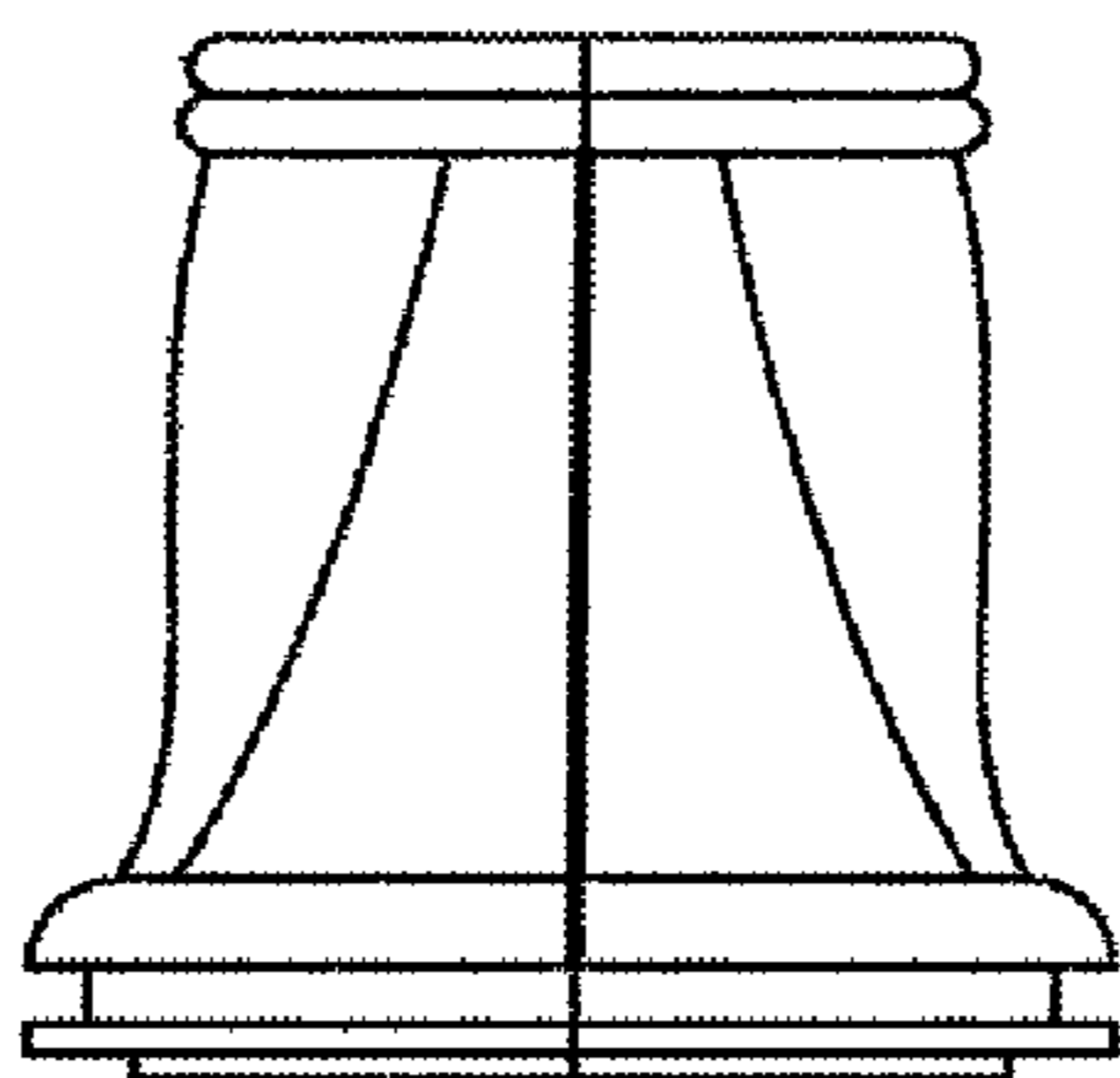


FIG. 9

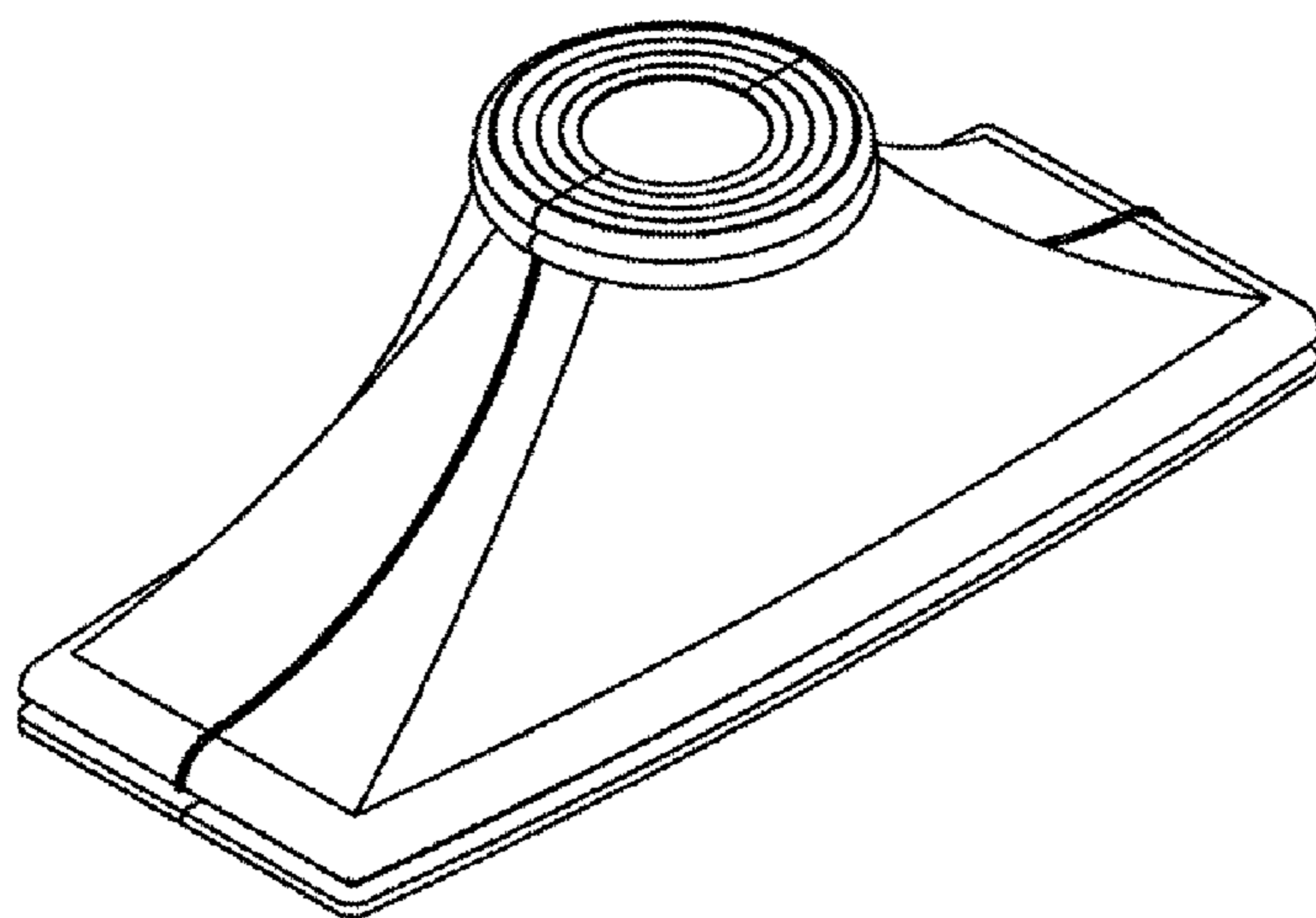


FIG. 10



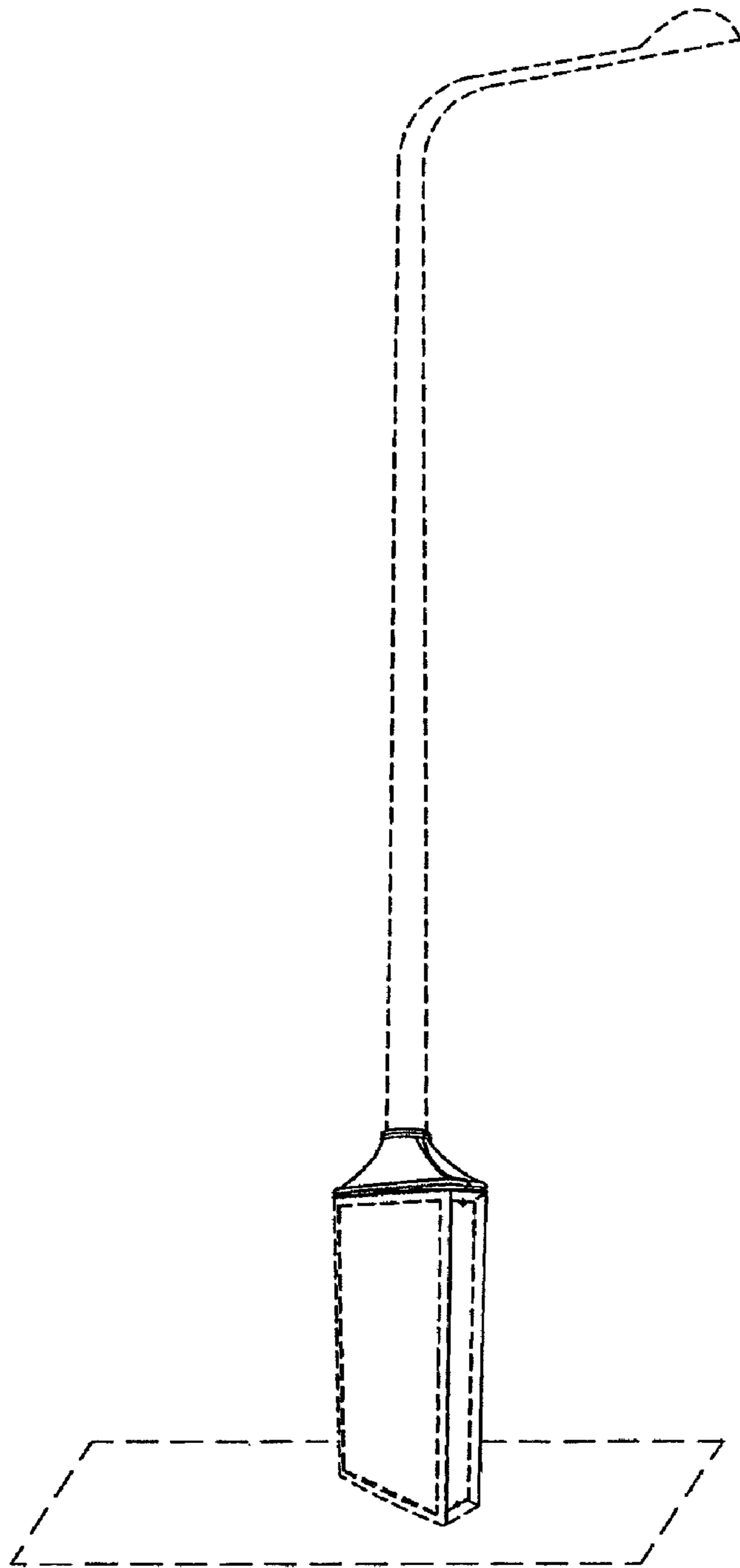


FIG. 11

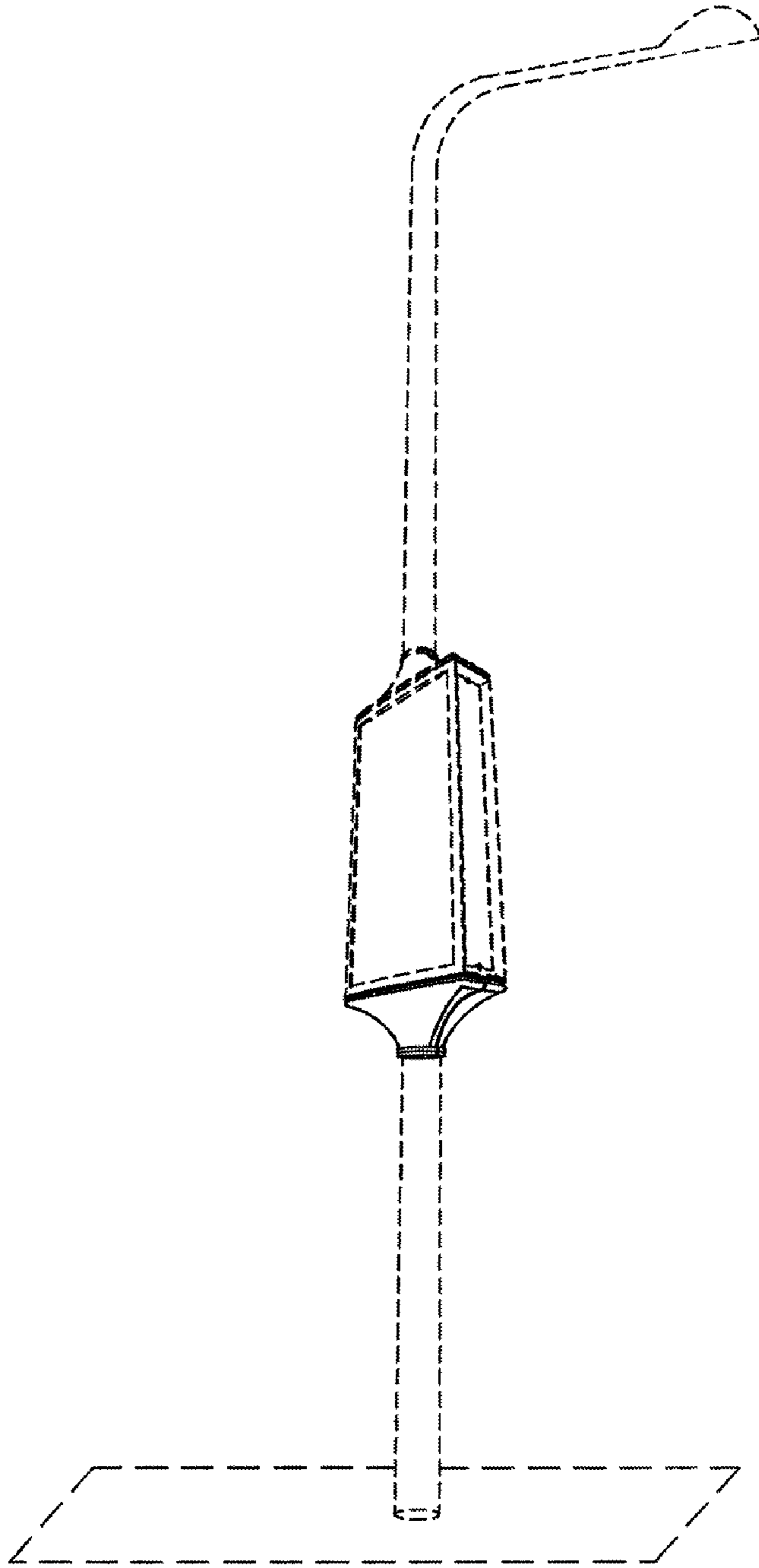


FIG. 12