



US00D617040S

(12) **United States Design Patent**
Hsieh

(10) **Patent No.:** **US D617,040 S**
(45) **Date of Patent:** **** Jun. 1, 2010**

(54) **LAMPSHADE**

(75) Inventor: **Duan-Cheng Hsieh**, Taipei (TW)

(73) Assignee: **Habitex Corporation** (TW)

(**) Term: **14 Years**

(21) Appl. No.: **29/350,952**

(22) Filed: **Nov. 25, 2009**

(30) **Foreign Application Priority Data**

Sep. 14, 2009 (CN) 2009 3 0210587

(51) **LOC (9) Cl.** **26-99**

(52) **U.S. Cl.** **D26/118**

(58) **Field of Classification Search** D26/2,
D26/142, 134, 129, 124, 118, 128, 113, 121,
D26/125, 131, 130, 60, 61, 138, 93, 102,
D26/103, 106, 107, 110, 147, 153, 149, 141,
D26/145, 155, 24, 63, 120, 122, 123, 65,
D26/88; D8/396; 362/294, 98, 641, 257,
362/269, 270, 277, 279, 285, 341, 347, 350,
362/351, 363, 395, 410

See application file for complete search history.

(56) **References Cited**

U.S. PATENT DOCUMENTS

D201,700 S * 7/1965 Stockwell D26/71

D266,958 S * 11/1982 Gernhardt D26/92
D330,776 S * 11/1992 Cvek D26/65
D470,965 S * 2/2003 Landefeld D26/71
7,160,010 B1 * 1/2007 Chinniah et al. 362/511
D569,031 S * 5/2008 Friedman et al. D26/85
D580,085 S * 11/2008 Svensson D26/71

* cited by examiner

Primary Examiner—Cathron C Brooks
Assistant Examiner—Kevin K Rudzinski
(74) *Attorney, Agent, or Firm*—Shook, Hardy & Bacon L.L.P.

(57) **CLAIM**

The ornamental design for lampshade, as shown and described.

DESCRIPTION

FIG. 1 is a perspective view of lampshade showing my new design;

FIG. 2 is a front elevational view thereof;

FIG. 3 is a rear elevational view thereof;

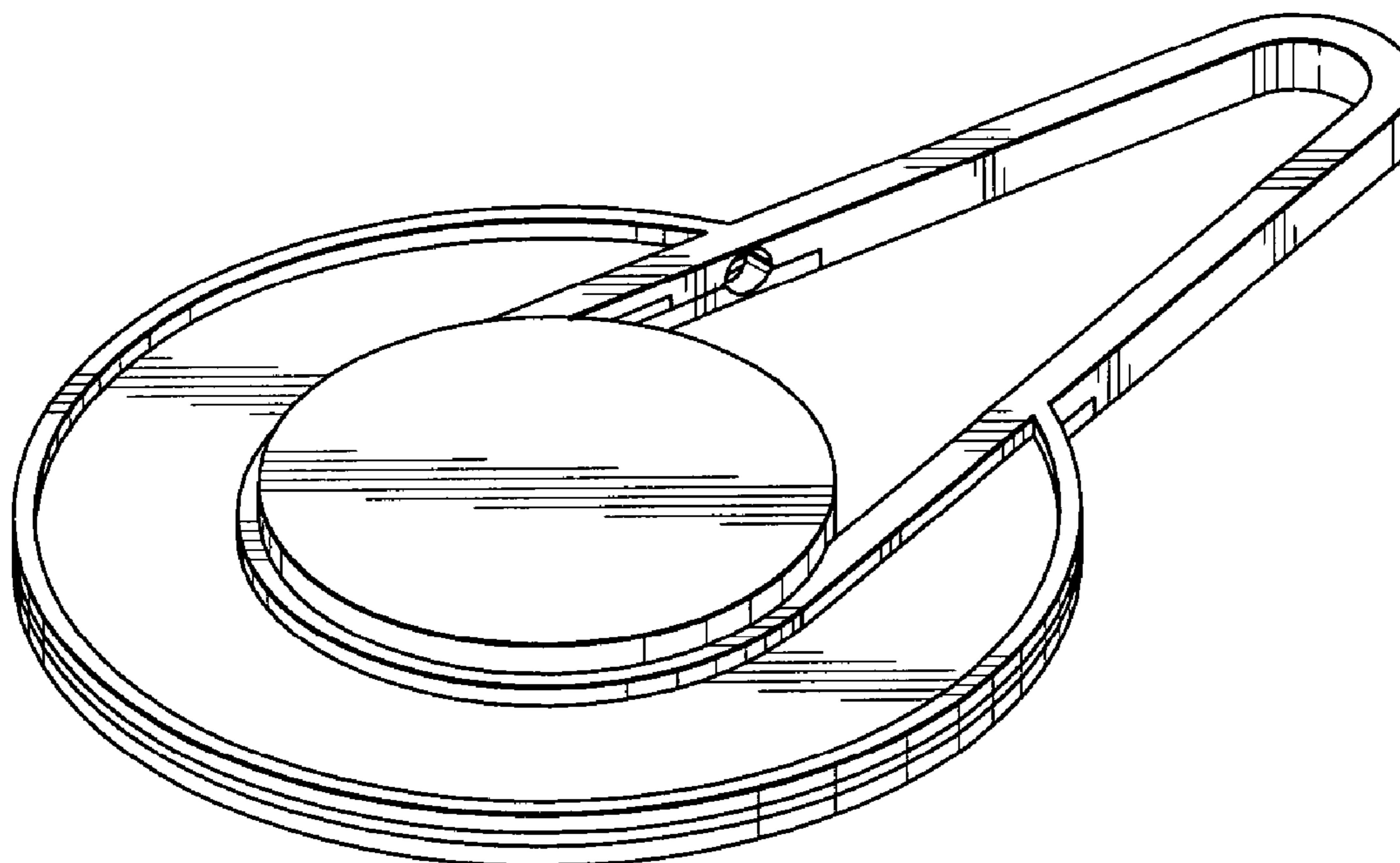
FIG. 4 is a left side elevational view thereof;

FIG. 5 is a right side elevational view thereof;

FIG. 6 is a top plan view thereof; and,

FIG. 7 is a bottom plan view thereof.

1 Claim, 4 Drawing Sheets



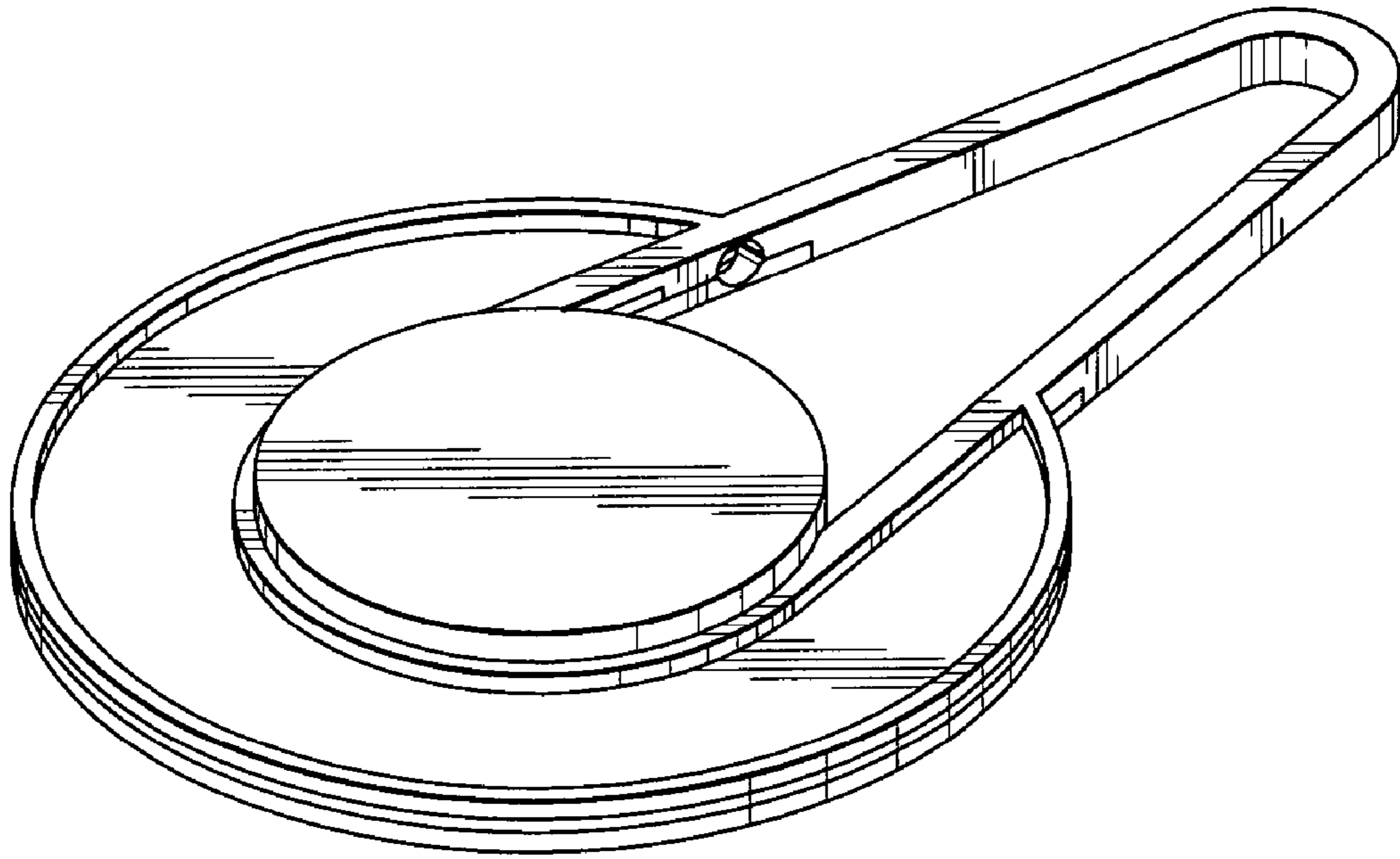


FIG. 1



FIG. 2

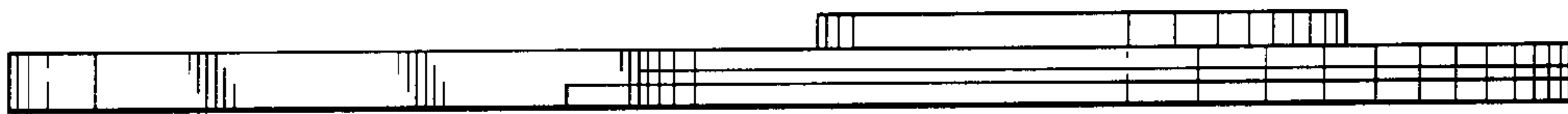


FIG. 3

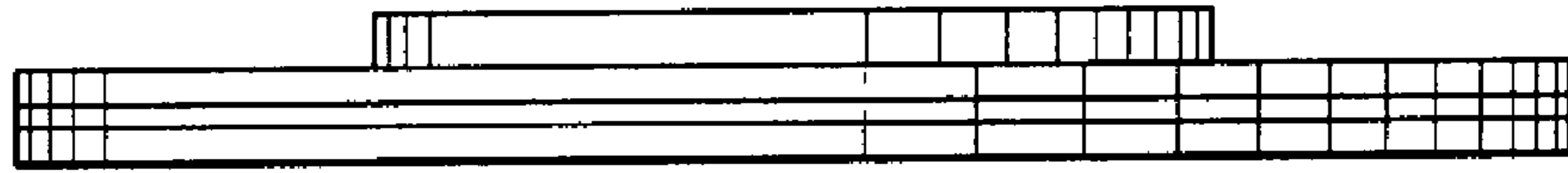


FIG. 4



FIG. 5

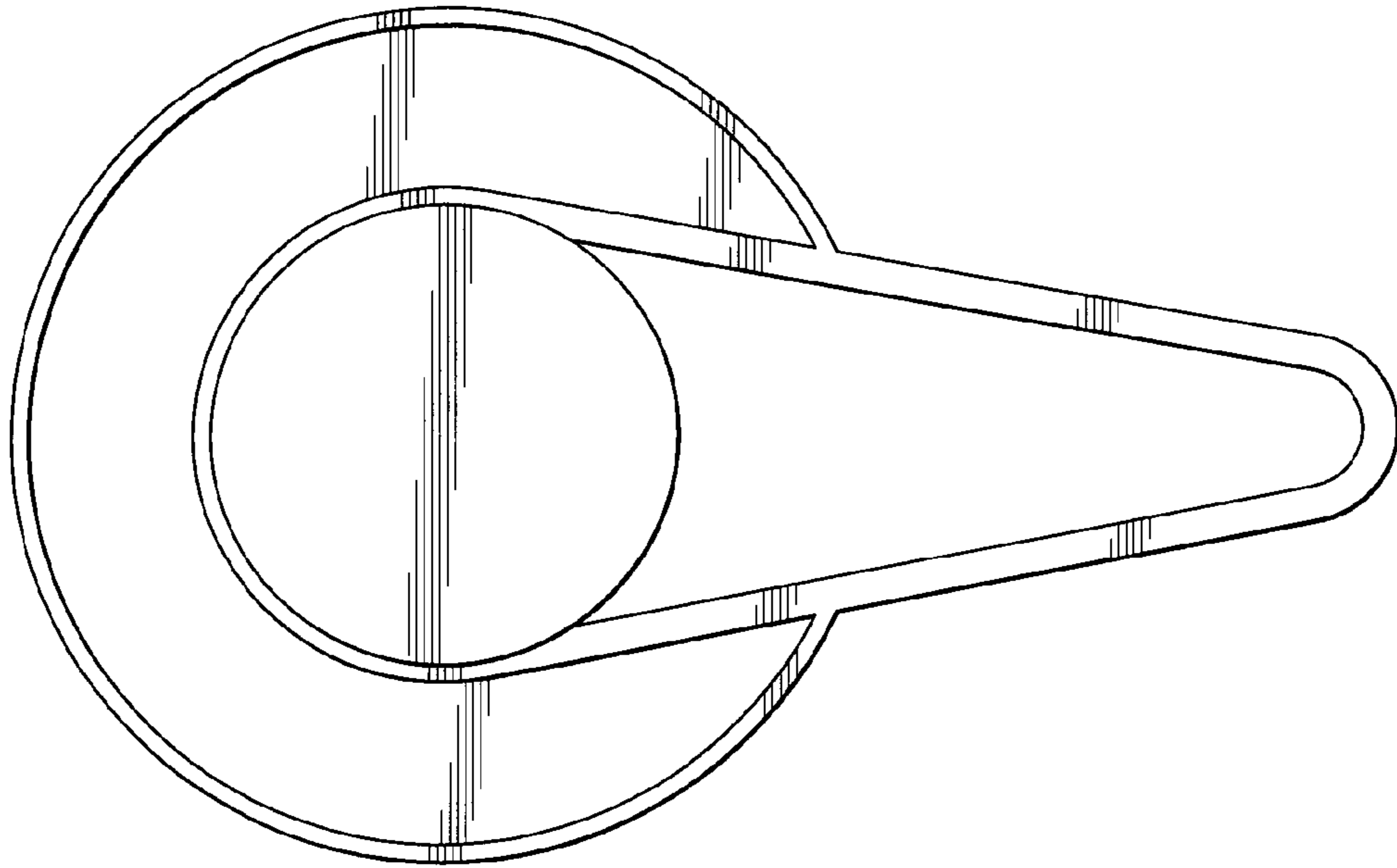


FIG. 6

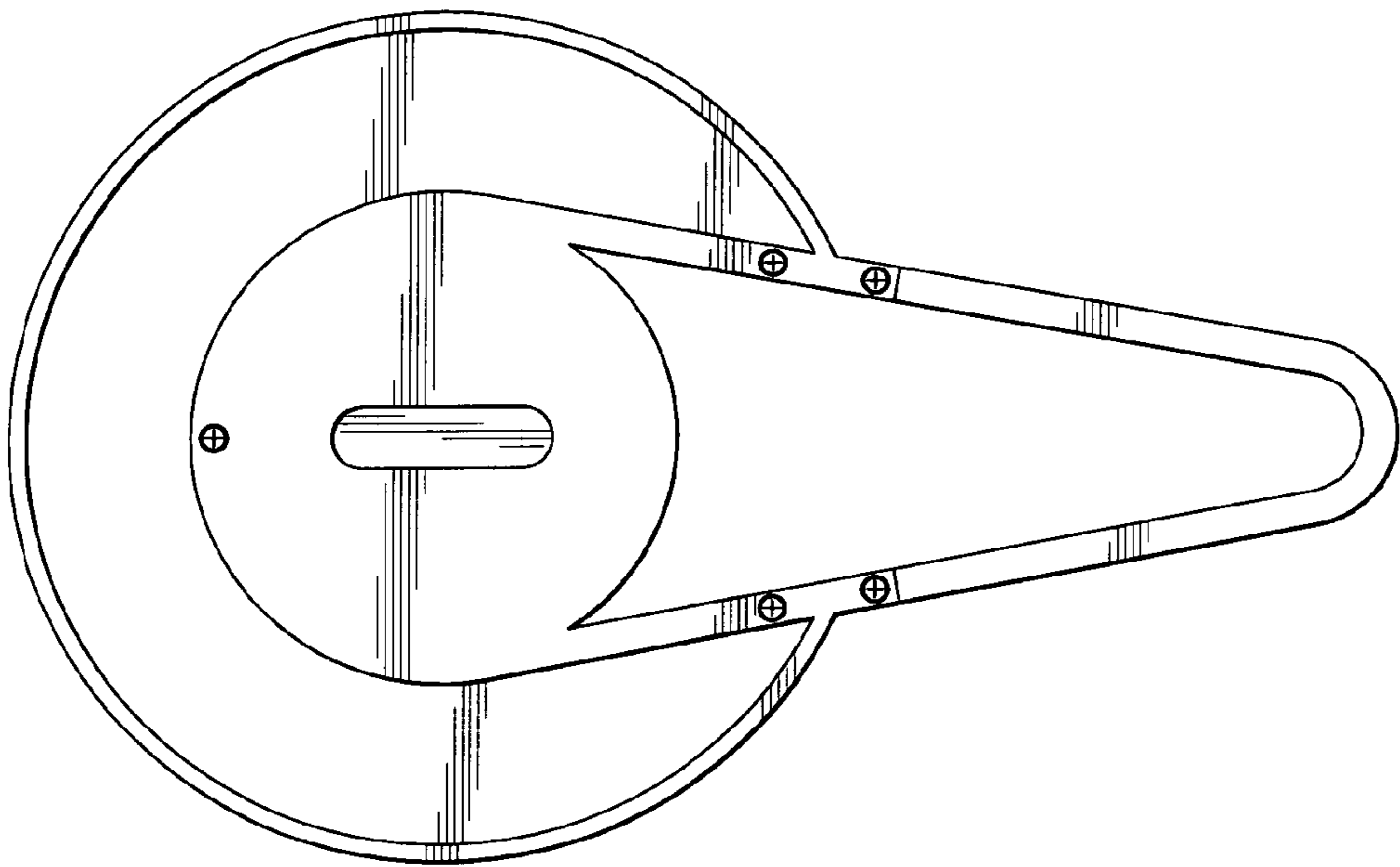


FIG. 7