



US00D617039S

(12) **United States Design Patent**  
**Sabernig**

(10) **Patent No.:** **US D617,039 S**  
(45) **Date of Patent:** **\*\* Jun. 1, 2010**

(54) **TABLE LAMP**

D583,981 S 12/2008 Meyer et al.  
D583,983 S 12/2008 Meyer et al.

(75) Inventor: **Robert Sabernig**, Munster (AT)

(73) Assignee: **EGLO Leuchten GmbH**, Innsbruck (AT)

(\*\*) Term: **14 Years**

(21) Appl. No.: **29/345,180**

(22) Filed: **Oct. 12, 2009**

**Related U.S. Application Data**

(63) Continuation-in-part of application No. 29/324,057, filed on Sep. 5, 2008.

(51) **LOC (9) Cl.** ..... **26-03**

(52) **U.S. Cl.** ..... **D26/104**

(58) **Field of Classification Search** ..... D26/80-91,  
D26/93, 104, 106, 108, 128-131; 362/147,  
362/317, 351, 404-408, 410

See application file for complete search history.

(56) **References Cited**

**U.S. PATENT DOCUMENTS**

- 839,869 A \* 1/1907 Muschenheim ..... 362/296.05
- D52,553 S \* 10/1918 Bean ..... D26/112
- D97,997 S 12/1935 Glatthar et al.
- D134,482 S 12/1942 Ganger
- D150,355 S \* 7/1948 Golden ..... D26/112
- D176,082 S \* 11/1955 Puzey et al. .... D26/51
- D178,212 S 7/1956 Schreckengost et al.
- D234,155 S \* 1/1975 Gellert ..... D26/108
- D238,790 S \* 2/1976 Orosz ..... D11/184
- D238,960 S \* 2/1976 Leung ..... D26/112
- D261,058 S \* 9/1981 Wotowiec et al. .... D26/93
- D324,924 S 3/1992 Bengochea
- D326,734 S \* 6/1992 Rizzi et al. .... D26/112
- D332,840 S \* 1/1993 Cohon ..... D26/93
- D355,725 S \* 2/1995 Roberts, III ..... D26/109
- D468,854 S \* 1/2003 Chen ..... D26/93
- D473,333 S \* 4/2003 Willmorth ..... D26/67
- D549,385 S 8/2007 Lissoni
- D567,987 S 4/2008 Khubani

**OTHER PUBLICATIONS**

“Flynn” table lamp from Candice Olson #6745-TL shown on p. 12 of the AF Lighting 2007 Catalog #AFLMC0107.(2 pages).\*

“Vision” light fixtures, model #'s E22014-09; E22016-09; and E22012-09 shown on p. 154 of the ET2 Lighting 2007 Catalog.\*

“Circus” table lamp #E20011-11 shown on p. 164 of the ET2 Lighting 2007 Catalog. (ET2 2007 Catalog 2nd Edition front cover included). 2 pages.\*

(Continued)

*Primary Examiner*—Clare E Heflin

(74) *Attorney, Agent, or Firm*—Baker & McKenzie LLP

(57) **CLAIM**

The ornamental design for a table lamp, as shown and described.

**DESCRIPTION**

FIG. 1 is a top perspective view of a table lamp in accordance with my design;

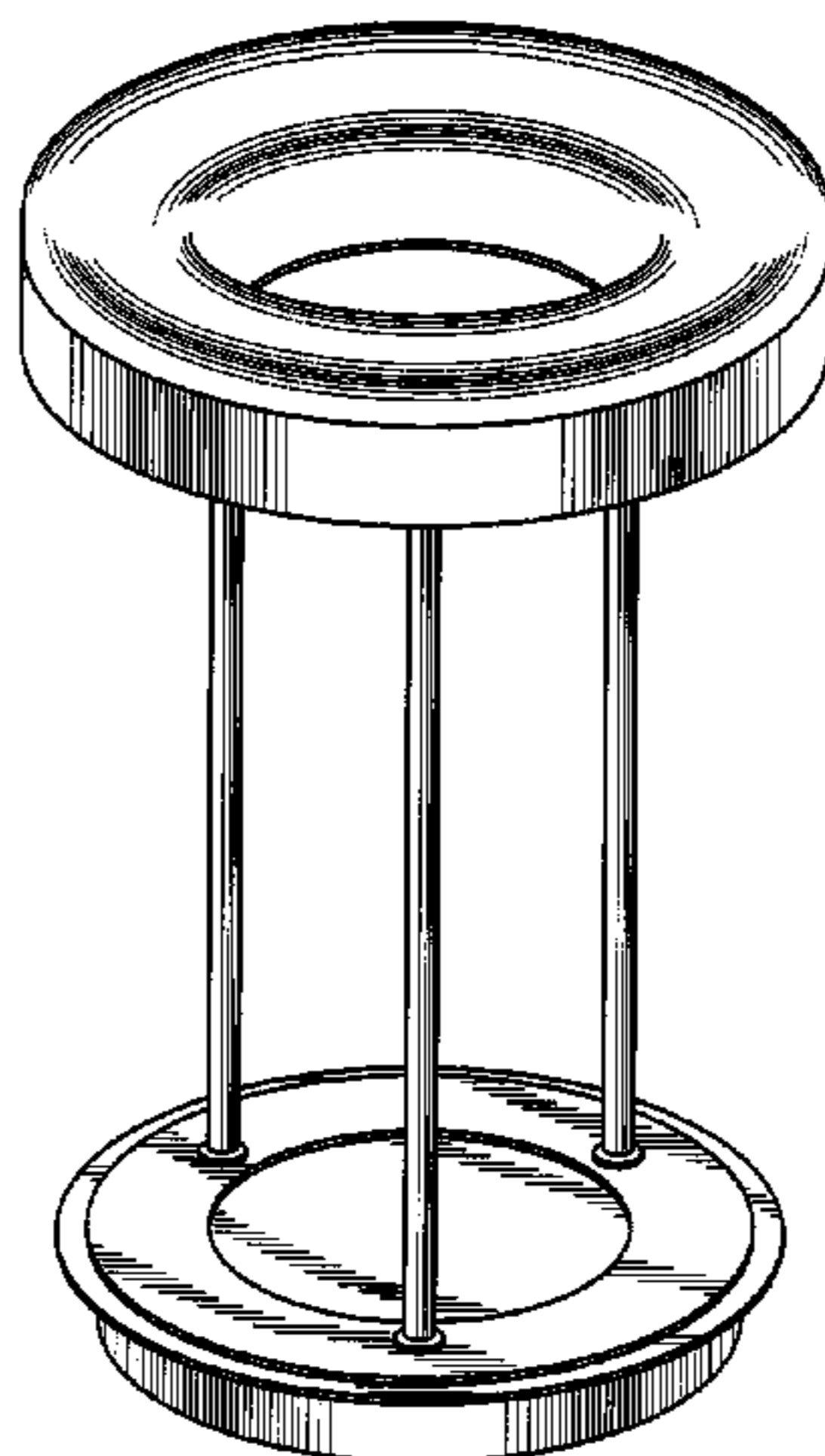
FIG. 2 is a top plan view of the table lamp in accordance with my design;

FIG. 3 is a front elevation view of the table lamp in accordance with my design, the opposite side being a mirror image of that shown;

FIG. 4 is a side elevation view of the table lamp in accordance with my design, the opposite side being a mirror image of that shown; and,

FIG. 5 is a bottom plan view of the table lamp in accordance with my design.

**1 Claim, 2 Drawing Sheets**



OTHER PUBLICATIONS

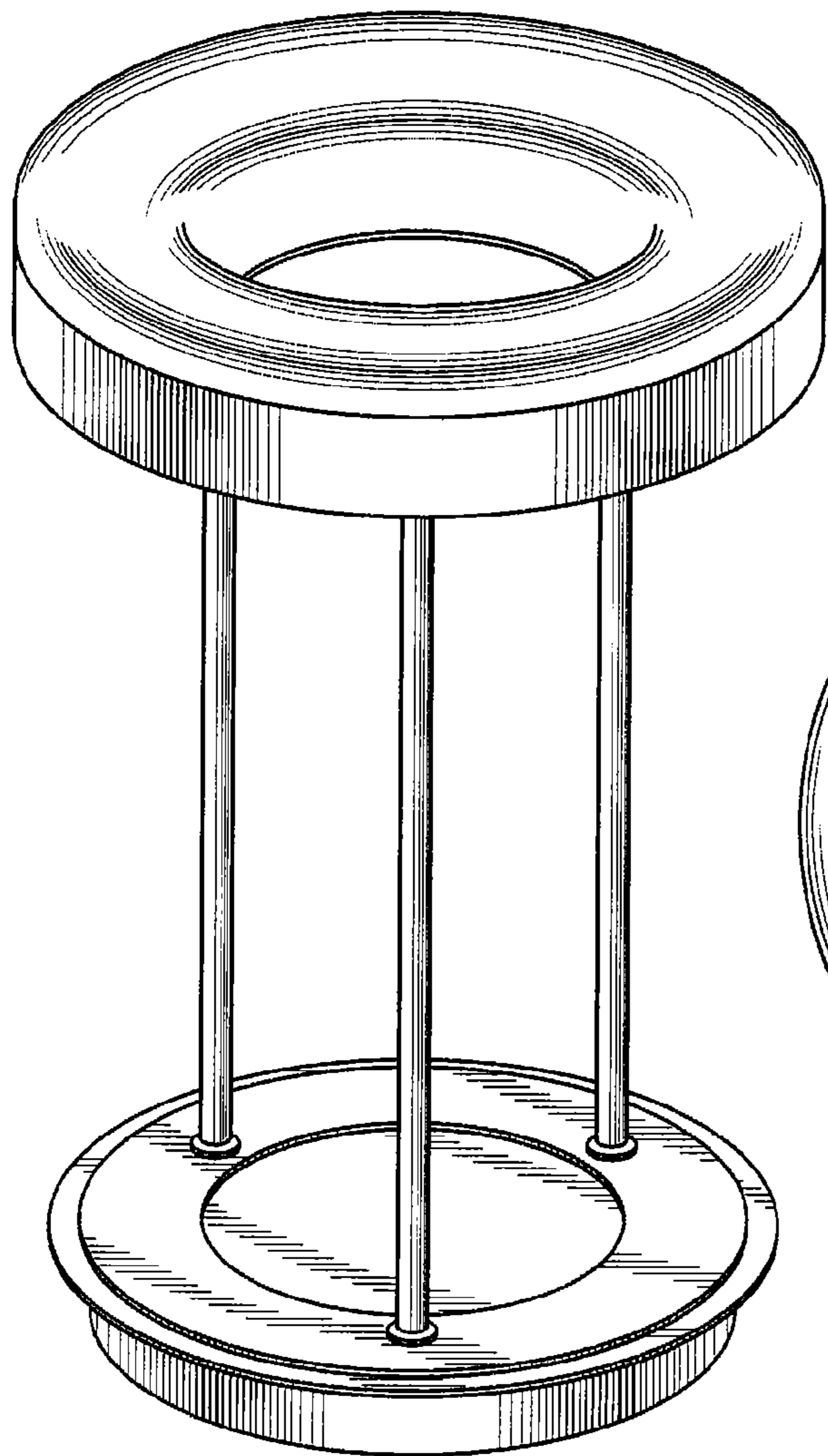
“Louver” Fixtures E53024-09 and E53023-09 shown on p. 30 of the ET2 Lighting—Jun. 2007 Supplement Catalog. (2 pages).\*

Access Lighting; Aero Series Pendant; Product No. 50944; printed from Modern Lighting Universe Catalog on Dec. 22, 2008.

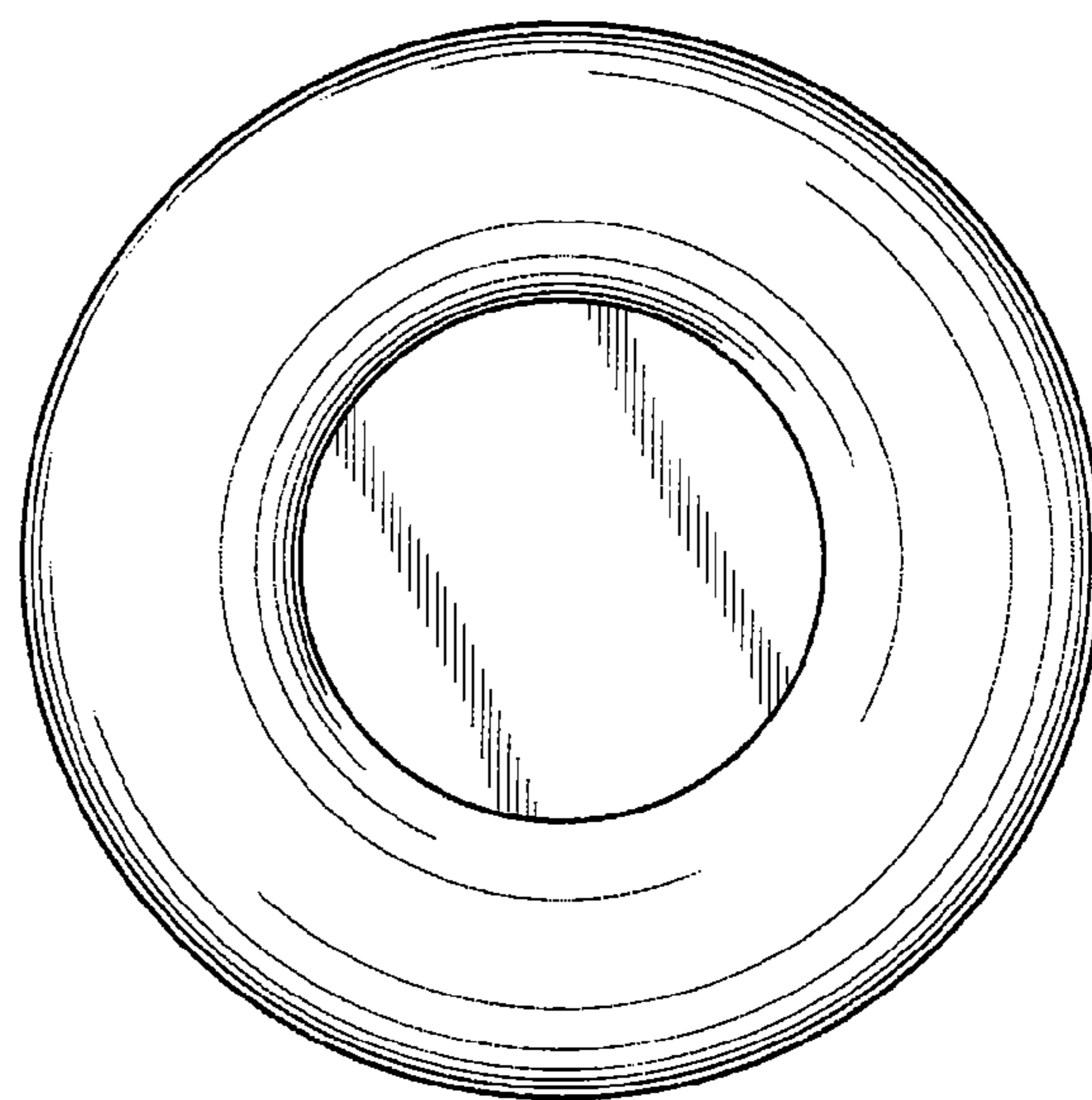
Access Lighting; Oracle Cable Pendant; Product No. 50466; printed from Modern Lighting Universe Catalog on Dec. 22, 2008.

Zaneen Lighting; Rondo Pendant; Product No. D9-1008; printed from Modern Lighting Universe Catalog on Dec. 22, 2008.

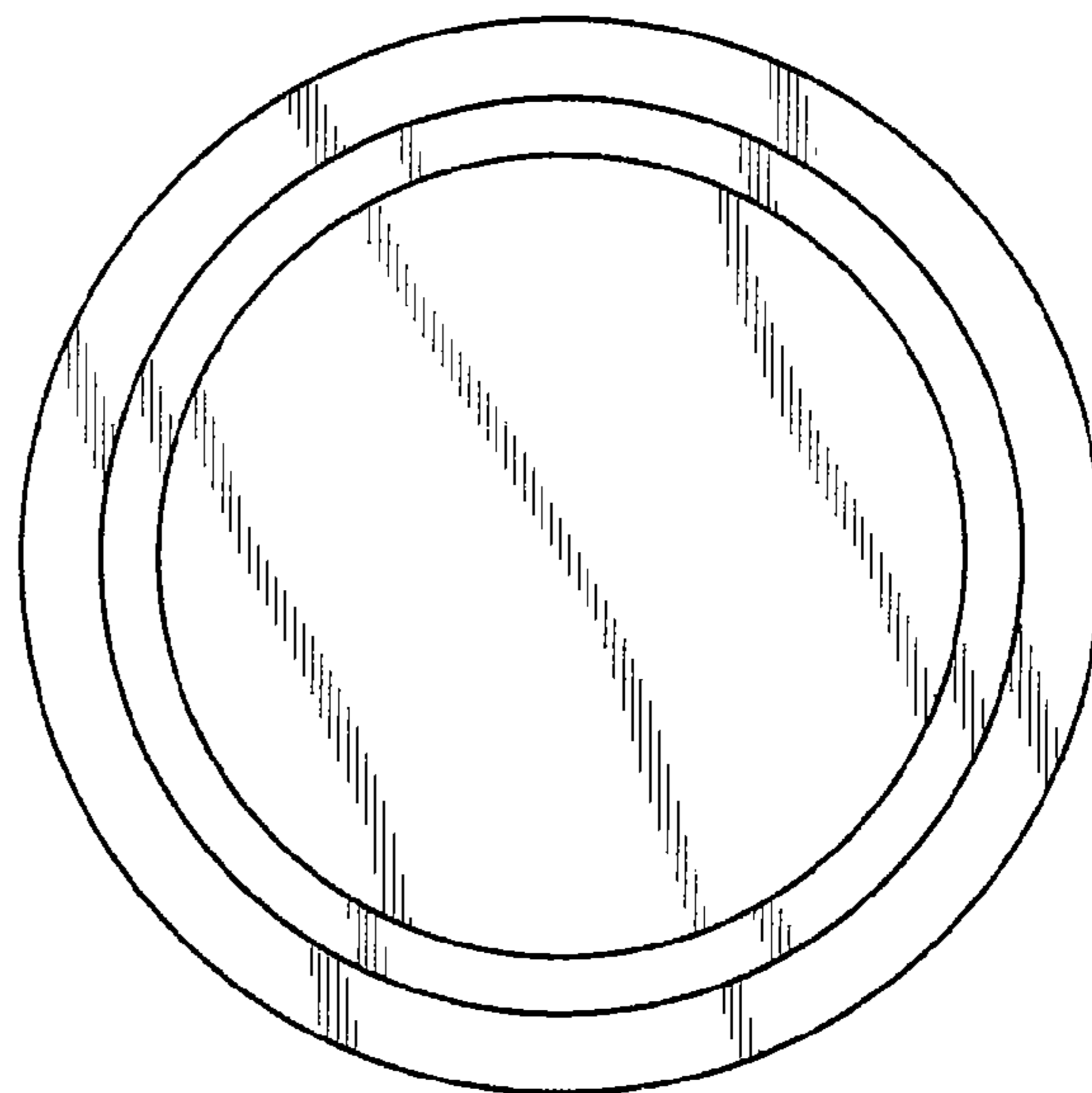
\* cited by examiner



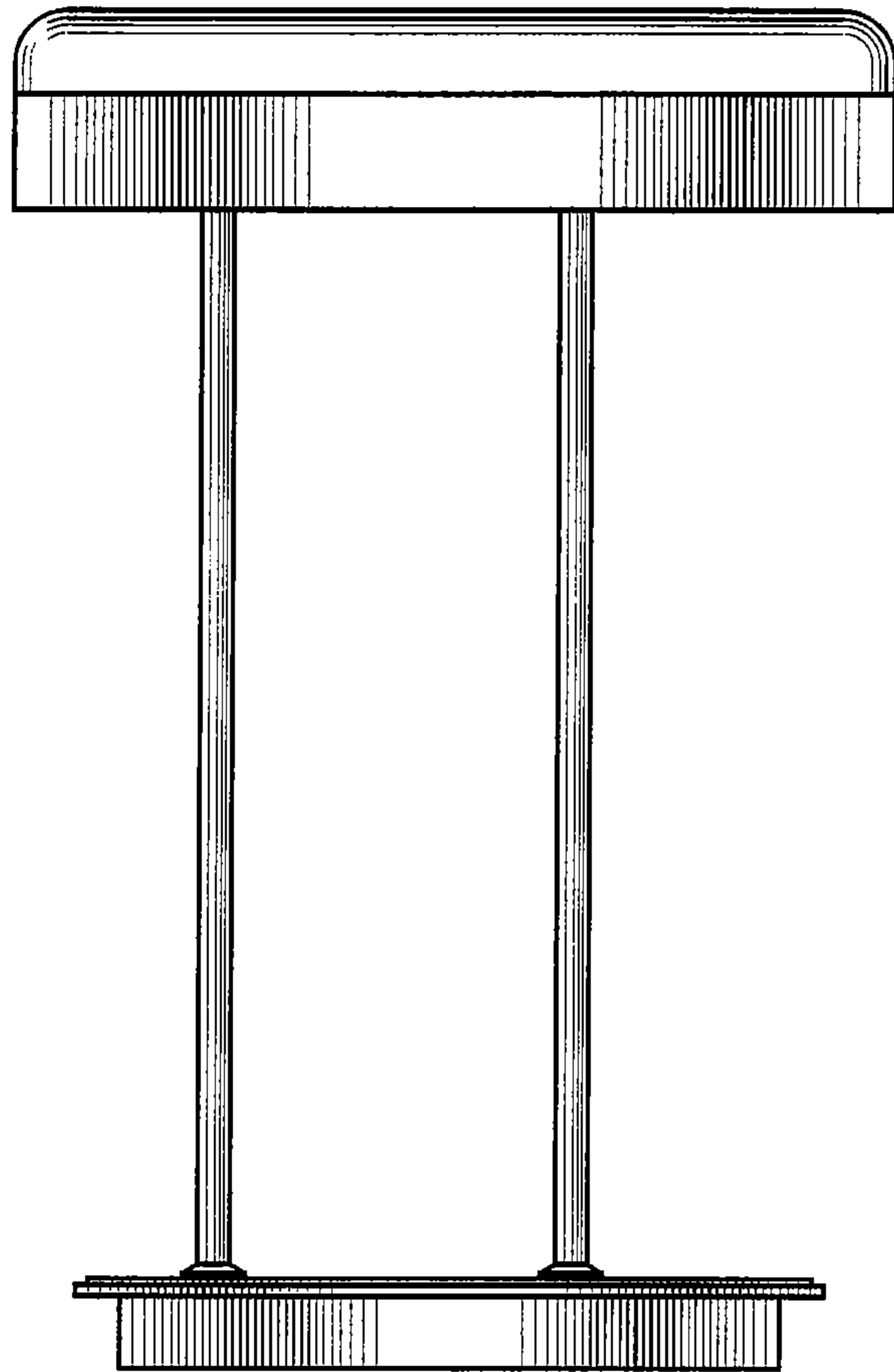
*Fig.1*



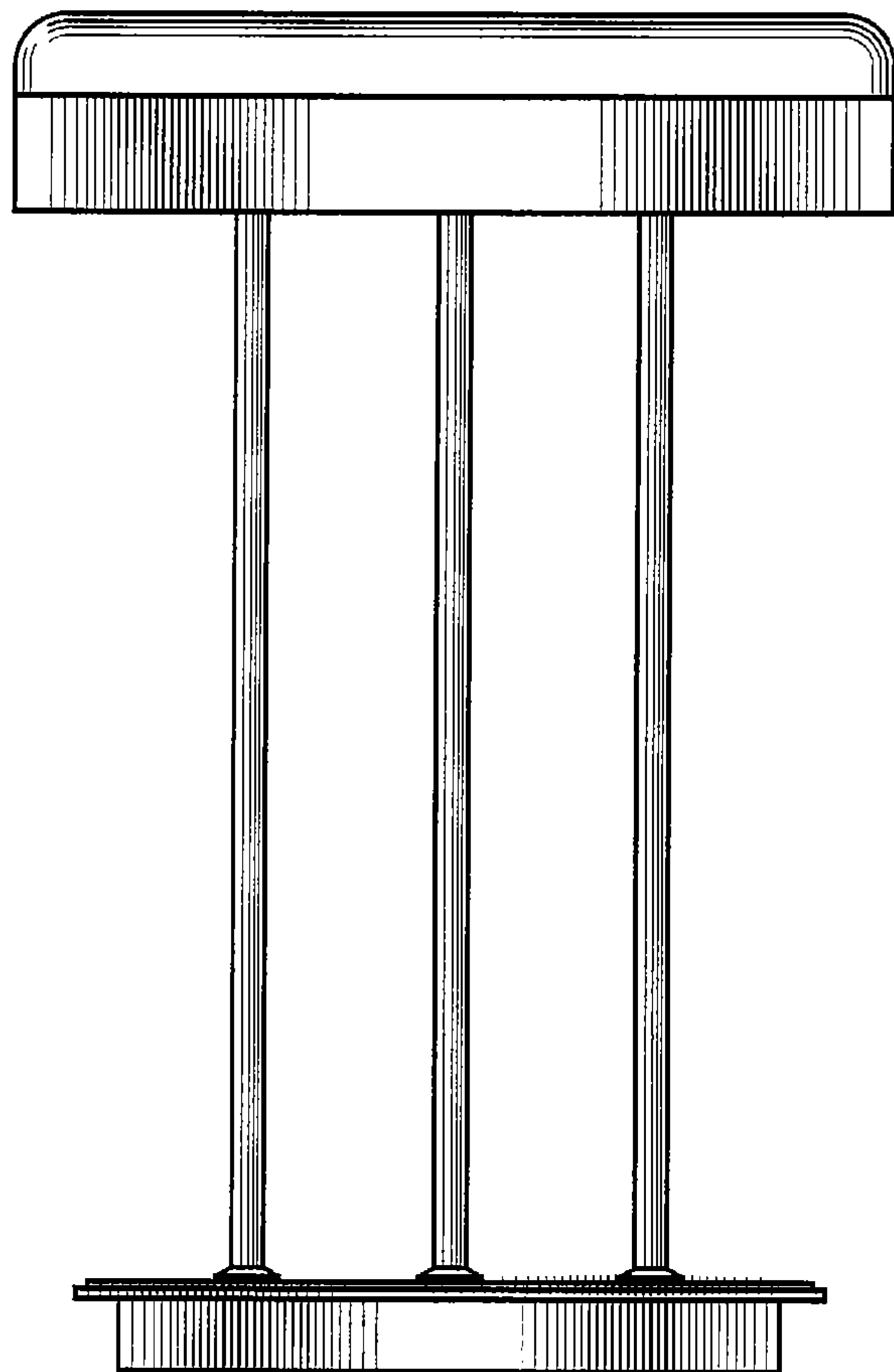
*Fig.2*



*Fig.5*



*Fig.3*



*Fig.4*