



US00D617035S

(12) **United States Design Patent**  
**Sabernig**

(10) **Patent No.:** **US D617,035 S**  
(45) **Date of Patent:** **\*\* Jun. 1, 2010**

(54) **LIGHT FIXTURE**

(75) Inventor: **Robert Sabernig**, Munster (AT)

(73) Assignee: **EGLO Leuchten GmbH**, Innsbruck (AT)

(\*\*) Term: **14 Years**

(21) Appl. No.: **29/345,179**

(22) Filed: **Oct. 12, 2009**

**Related U.S. Application Data**

(63) Continuation-in-part of application No. 29/324,056, filed on Sep. 5, 2008.

(51) **LOC (9) Cl.** ..... **26-03**

(52) **U.S. Cl.** ..... **D26/89; D26/79**

(58) **Field of Classification Search** ..... D26/79,  
D26/80-91, 128-131; 362/147, 317, 351,  
362/404-408, 453-456

See application file for complete search history.

(56) **References Cited**

**U.S. PATENT DOCUMENTS**

1,801,858	A *	4/1931	Gerard	.....	362/453
D97,997	S	12/1935	Glatthar et al.		
D134,482	S	12/1942	Ganger		
2,472,597	A *	6/1949	Levy	.....	362/216
D178,212	S	7/1956	Schreckengost et al.		
D213,464	S *	3/1969	Meyer	.....	D26/89
D324,924	S	3/1992	Bengochea		
5,653,532	A *	8/1997	Chan	.....	362/453
D487,528	S *	3/2004	Christensen et al.	.....	D26/79
6,705,747	B2 *	3/2004	Caferro et al.	.....	362/147
D490,183	S *	5/2004	Benensohn	.....	D26/89
D549,385	S	8/2007	Lissoni		
D567,987	S	4/2008	Khubani		
D583,981	S	12/2008	Meyer et al.		

D583,983 S 12/2008 Meyer et al.  
D601,744 S \* 10/2009 Sakuma ..... D26/89

**FOREIGN PATENT DOCUMENTS**

DE 3139425 A1 \* 4/1983

**OTHER PUBLICATIONS**

“Vision” light fixtures, model #E22011-09 shown on p. 158 of the ET2 Lighting 2007 Catalog.(2 pages).  
Access Lighting; Aero Series Pendant; Product No. 50944; printed from Modern Lighting Universe Catalog on Dec. 22, 2008.  
Access Lighting; Oracle Cable Pendant; Product No. 50466; printed from Modern Lighting Universe Catalog on Dec. 22, 2008.  
Zaneen Lighting; Rondo Pendant; Product No. D9-1008; printed from Modern Lighting Universe Catalog on Dec. 22, 2008.

\* cited by examiner

*Primary Examiner*—Clare E Heflin

(74) *Attorney, Agent, or Firm*—Baker & McKenzie LLP

(57) **CLAIM**

The ornamental design for a light fixture, as shown and described.

**DESCRIPTION**

FIG. 1 is a bottom perspective view of a light fixture in accordance with my design;

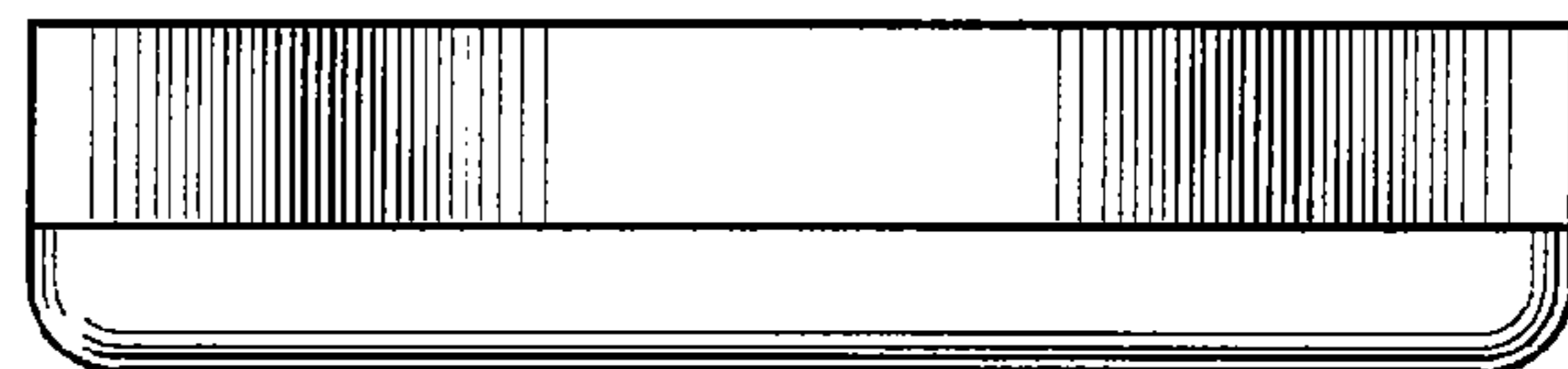
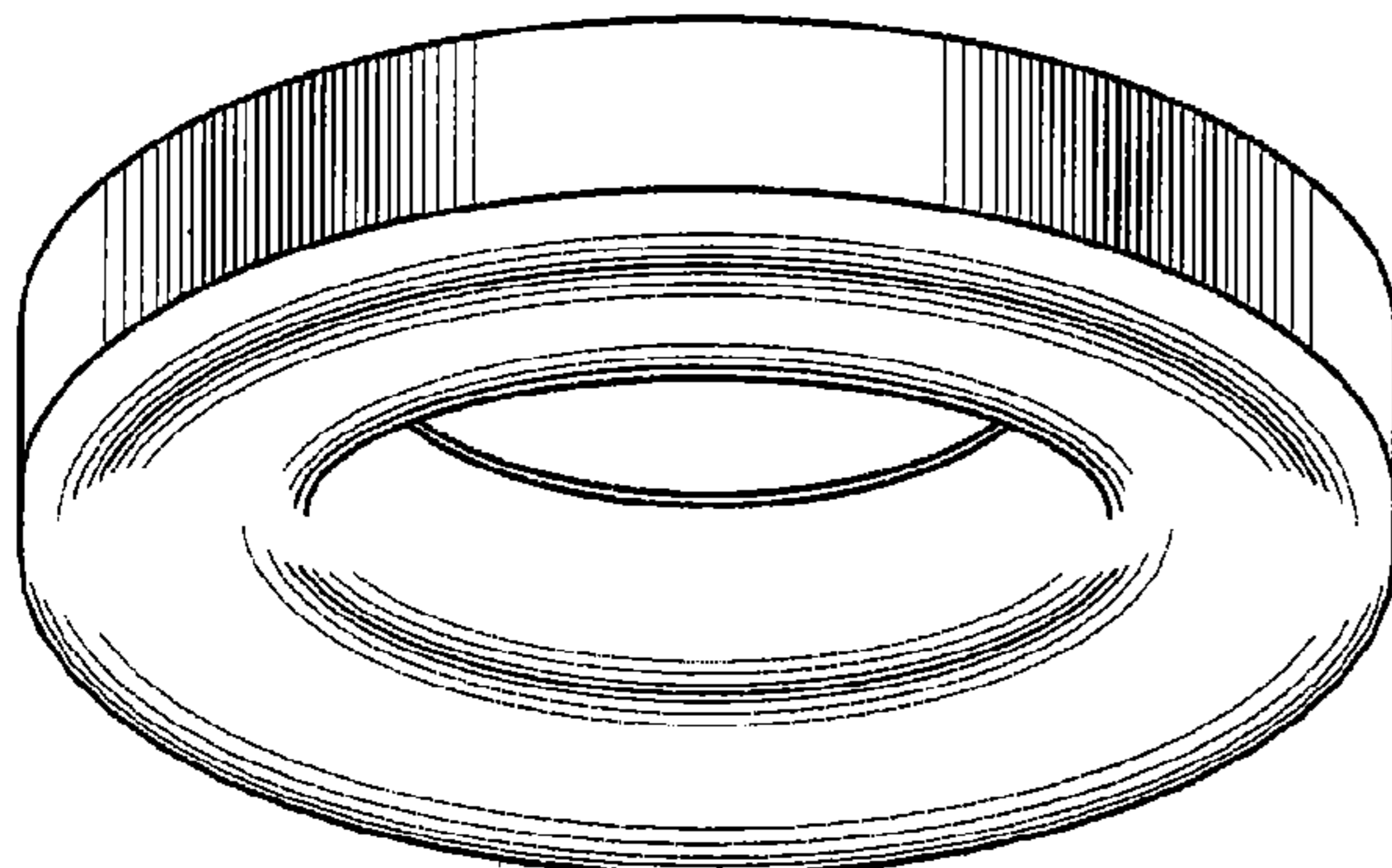
FIG. 2 is a top plan view of the light fixture in accordance with my design;

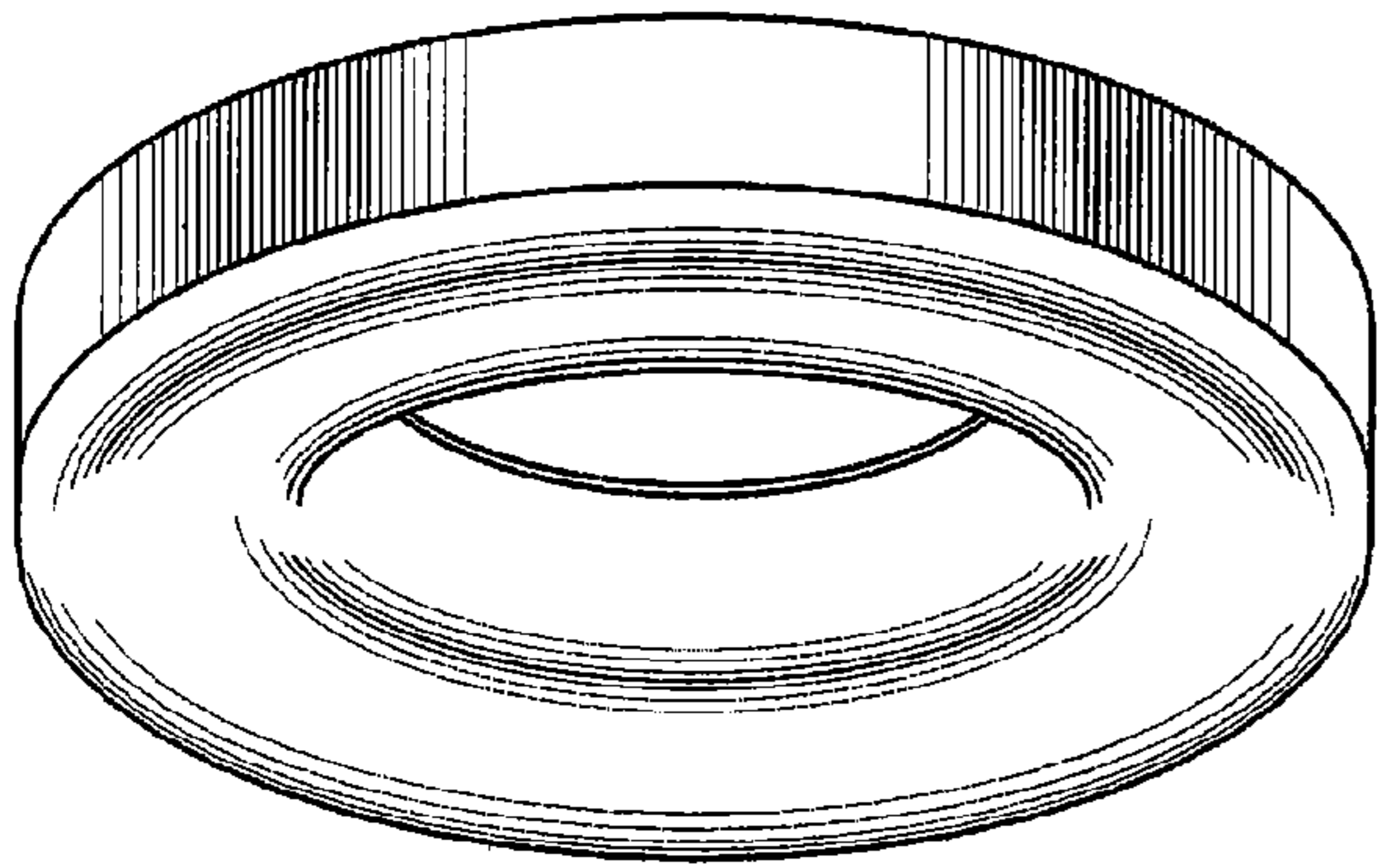
FIG. 3 is a front elevation view of the light fixture in accordance with my design, the opposite side being a mirror image of that shown;

FIG. 4 is a side elevation view of the light fixture in accordance with my design, the opposite side being a mirror image of that shown; and,

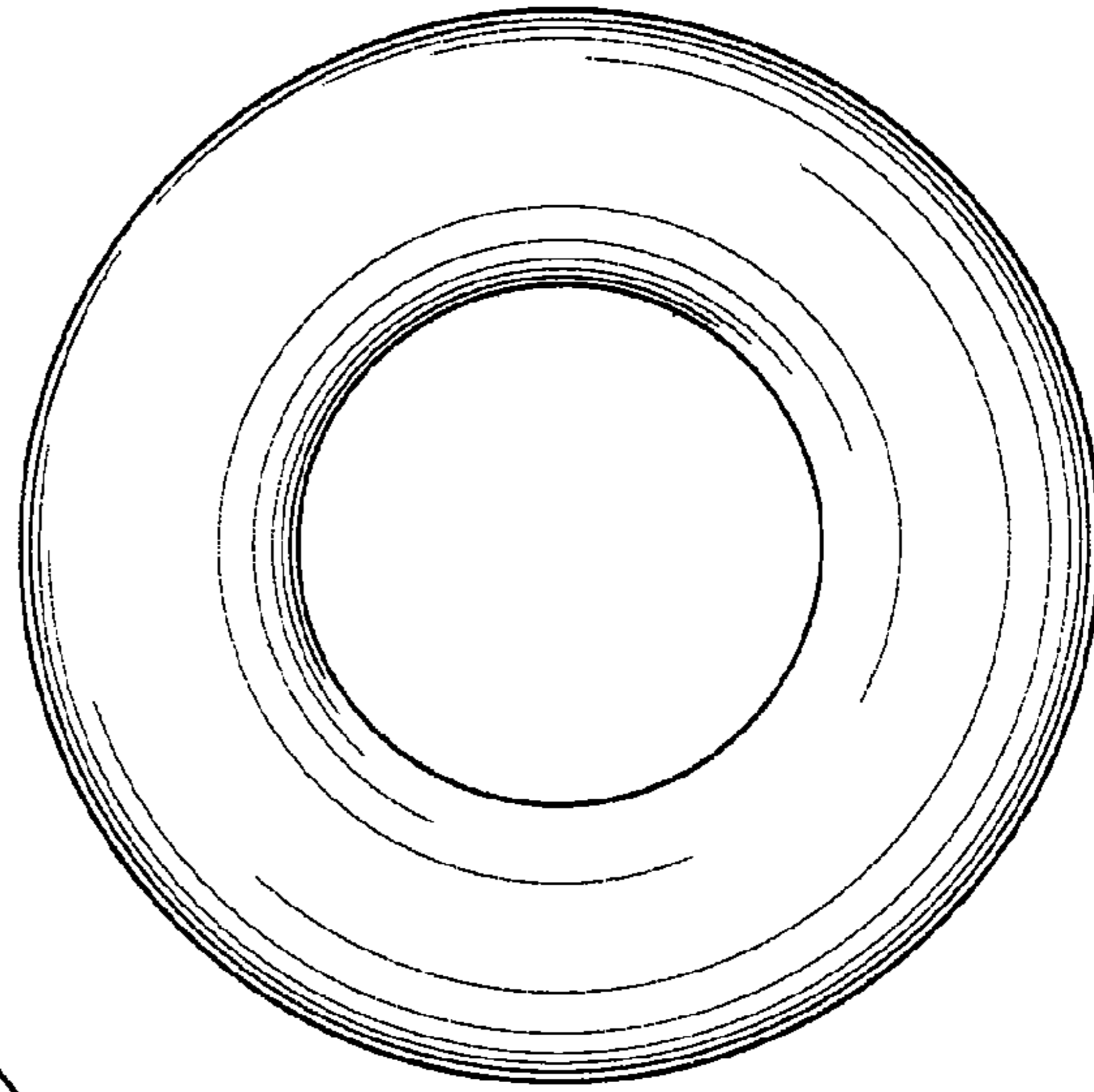
FIG. 5 is a bottom plan view of the light fixture in accordance with my design.

**1 Claim, 1 Drawing Sheet**

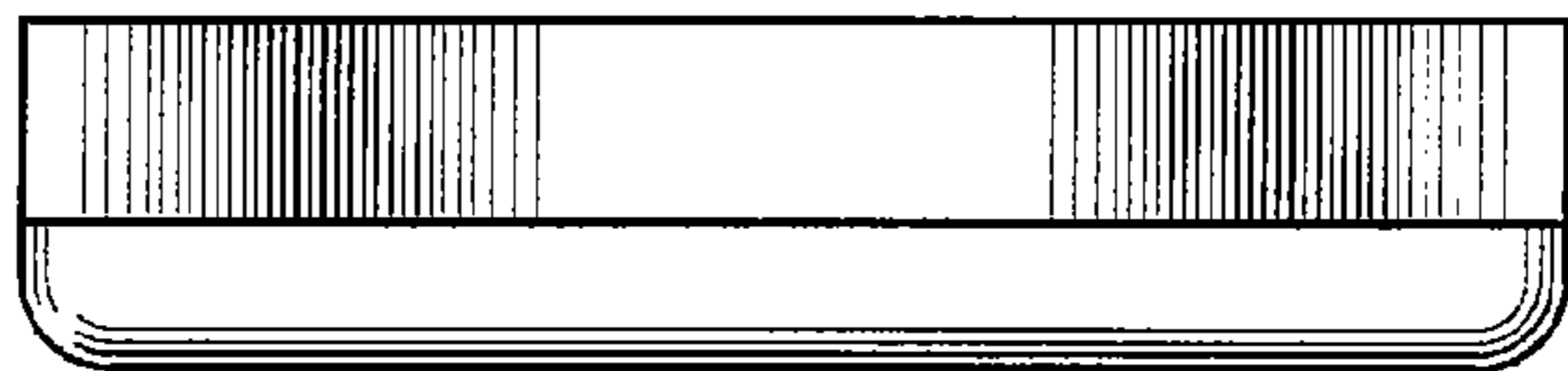




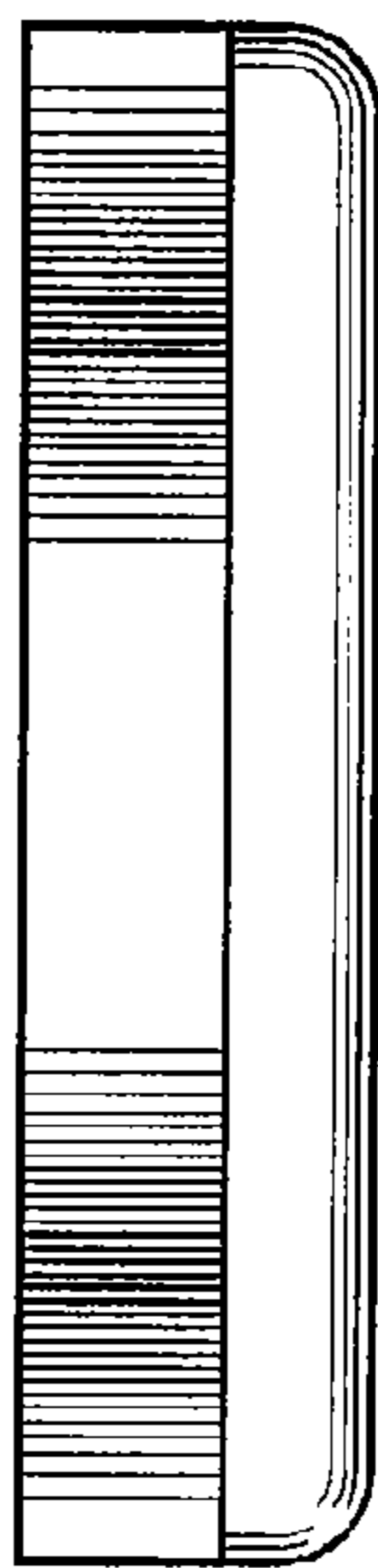
*Fig.1*



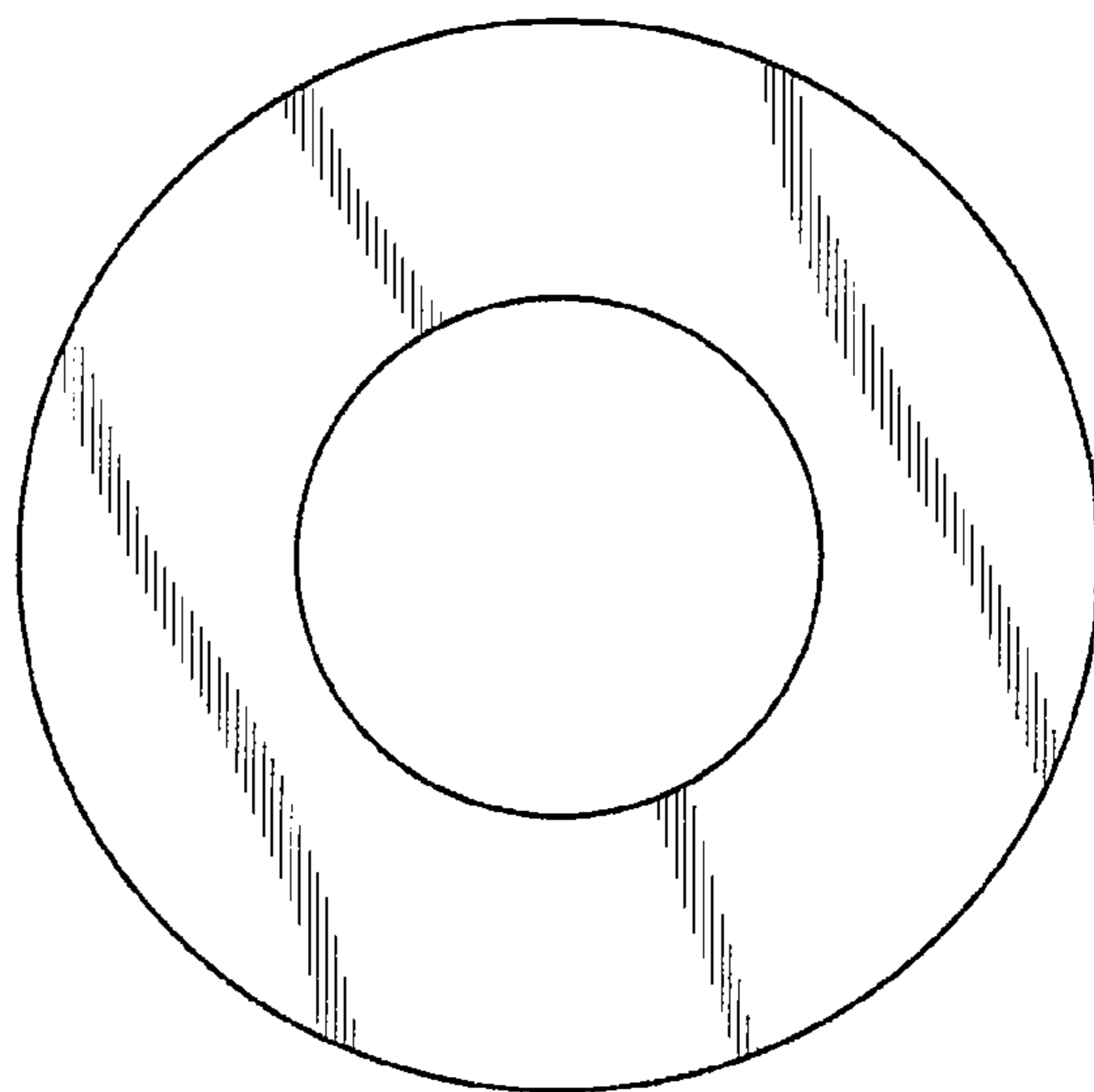
*Fig.2*



*Fig.3*



*Fig.4*



*Fig.5*