



US00D617034S

(12) **United States Design Patent**
Compton

(10) **Patent No.:** **US D617,034 S**
(45) **Date of Patent:** **** Jun. 1, 2010**

(54) **LIGHTING FIXTURE**

(75) Inventor: **Wayne W. Compton**, Chino Hills, CA
(US)

(73) Assignee: **U.S. Pole Company, Inc.**, Palmdale, CA
(US)

(**) Term: **14 Years**

(21) Appl. No.: **29/341,798**

(22) Filed: **Aug. 12, 2009**

(51) **LOC (9) Cl.** **26-03**

(52) **U.S. Cl.** **D26/85**

(58) **Field of Classification Search** D26/80,
D26/85-88, 92, 118, 128; 362/147, 432
See application file for complete search history.

(56) **References Cited**

U.S. PATENT DOCUMENTS

D82,518 S	*	11/1930	Ohm	D26/85
D113,501 S	*	2/1939	Alm et al.	D26/86
D160,809 S	*	11/1950	Schear et al.	D26/85
D162,345 S	*	3/1951	Roney	D26/85
D324,742 S	*	3/1992	von Kluck	D26/85
D448,106 S	*	9/2001	Lin	D26/87
D550,390 S	*	9/2007	Chandler	D26/87
D552,783 S	*	10/2007	Brunner	D26/85
D568,526 S	*	5/2008	Chandler	D26/85
D606,701 S	*	12/2009	Chandler	D26/87

OTHER PUBLICATIONS

“Curve” wall sconce #WS9040-10-16M shown on p. 19 of the ALICO Industries Inc. Catalog. © 2008 (2 pages).*

* cited by examiner

Primary Examiner—Clare E Heflin

(74) *Attorney, Agent, or Firm*—Christie, Parker & Hale, LLP

(57) **CLAIM**

The ornamental design for lighting fixture, as shown and described.

DESCRIPTION

FIG. 1 is a perspective view of a first embodiment of the design;

FIG. 2 is a left side view of the embodiment of FIG. 1;

FIG. 3 is a front view of the embodiment of FIG. 1;

FIG. 4 is a top view of the embodiment of FIG. 1;

FIG. 5 is a bottom view of the embodiment of FIG. 1;

FIG. 6 is a rear view of the embodiment of FIG. 1;

FIG. 7 is a perspective view of a second embodiment of the design;

FIG. 8 is a left side view of the embodiment of FIG. 7;

FIG. 9 is a front view of the embodiment of FIG. 7;

FIG. 10 is a top view of the embodiment of FIG. 7;

FIG. 11 is a bottom view of the embodiment of FIG. 7; and,

FIG. 12 is a rear view of the embodiment of FIG. 7.

The broken lines shown on the drawings represent environment only and form no part of the claimed design.

1 Claim, 12 Drawing Sheets

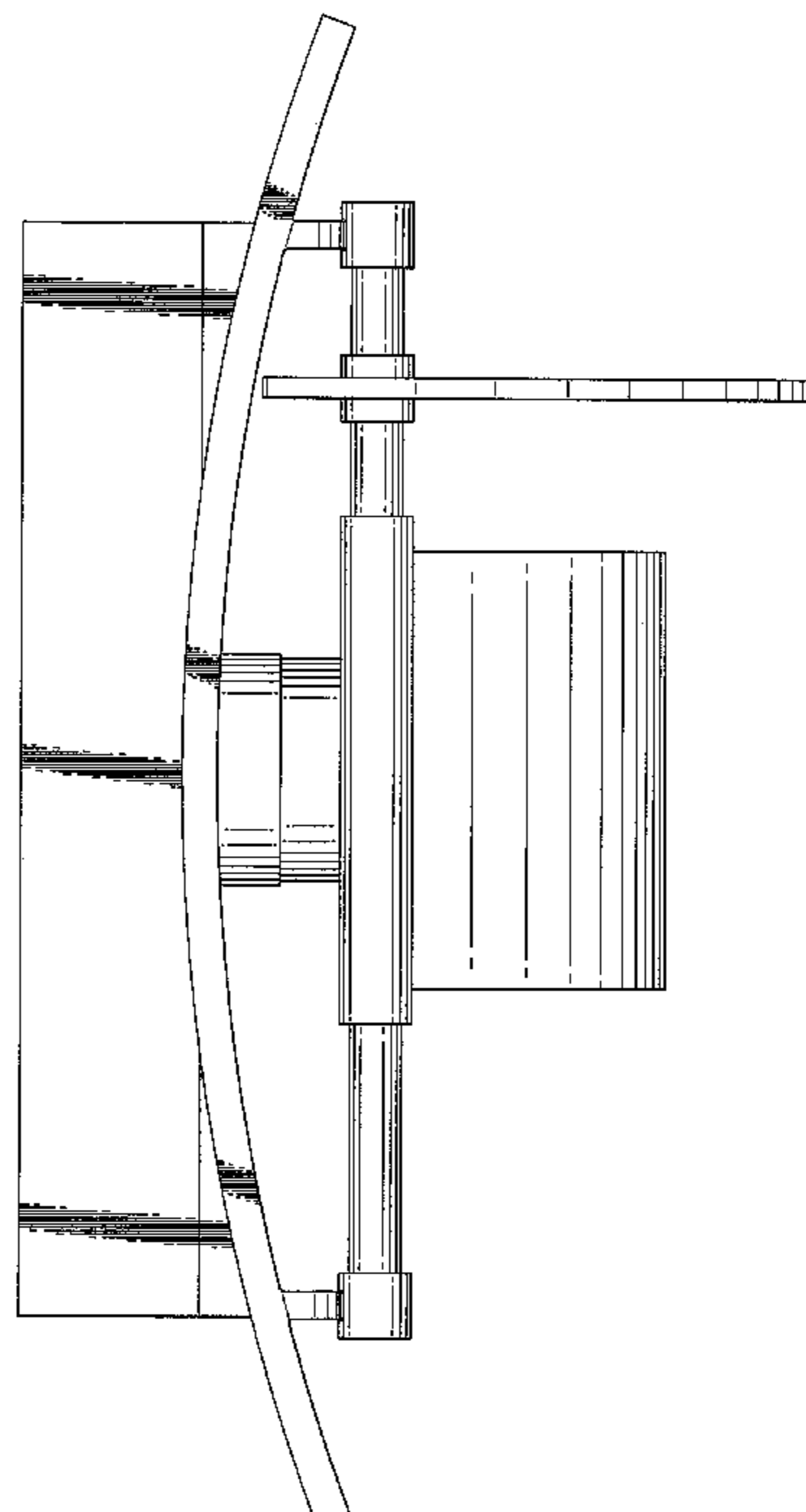
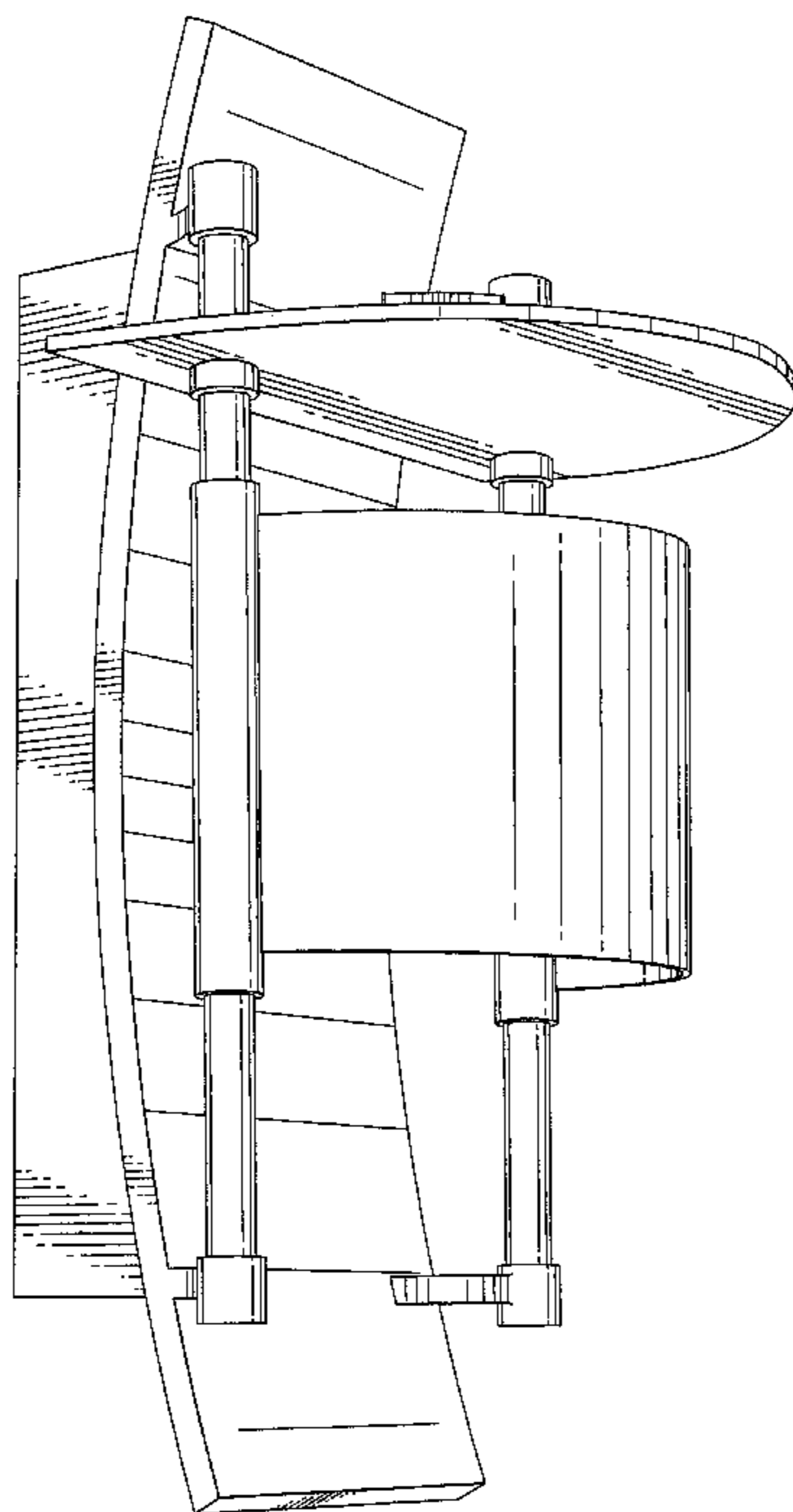


FIG. 1

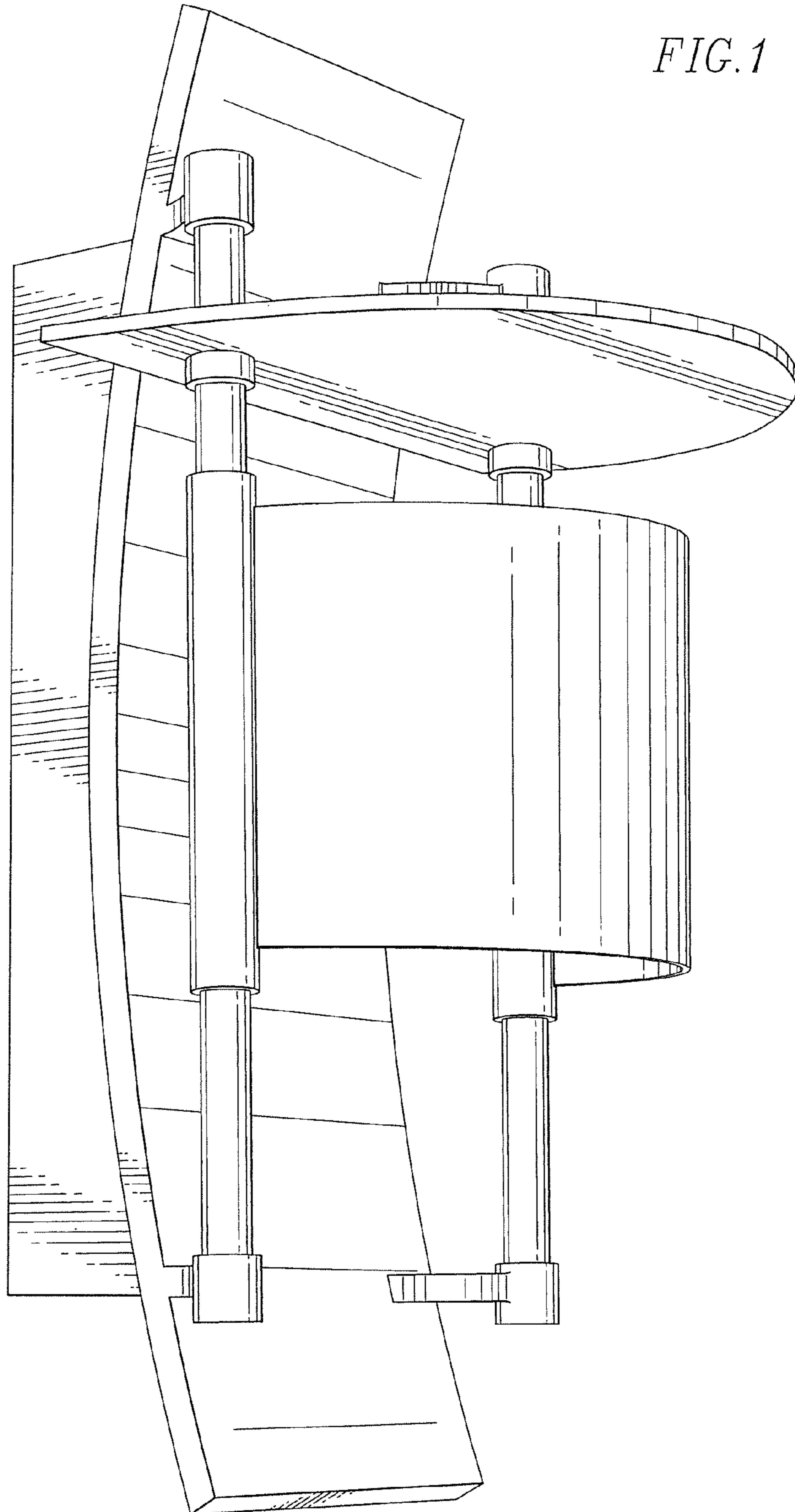


FIG. 2

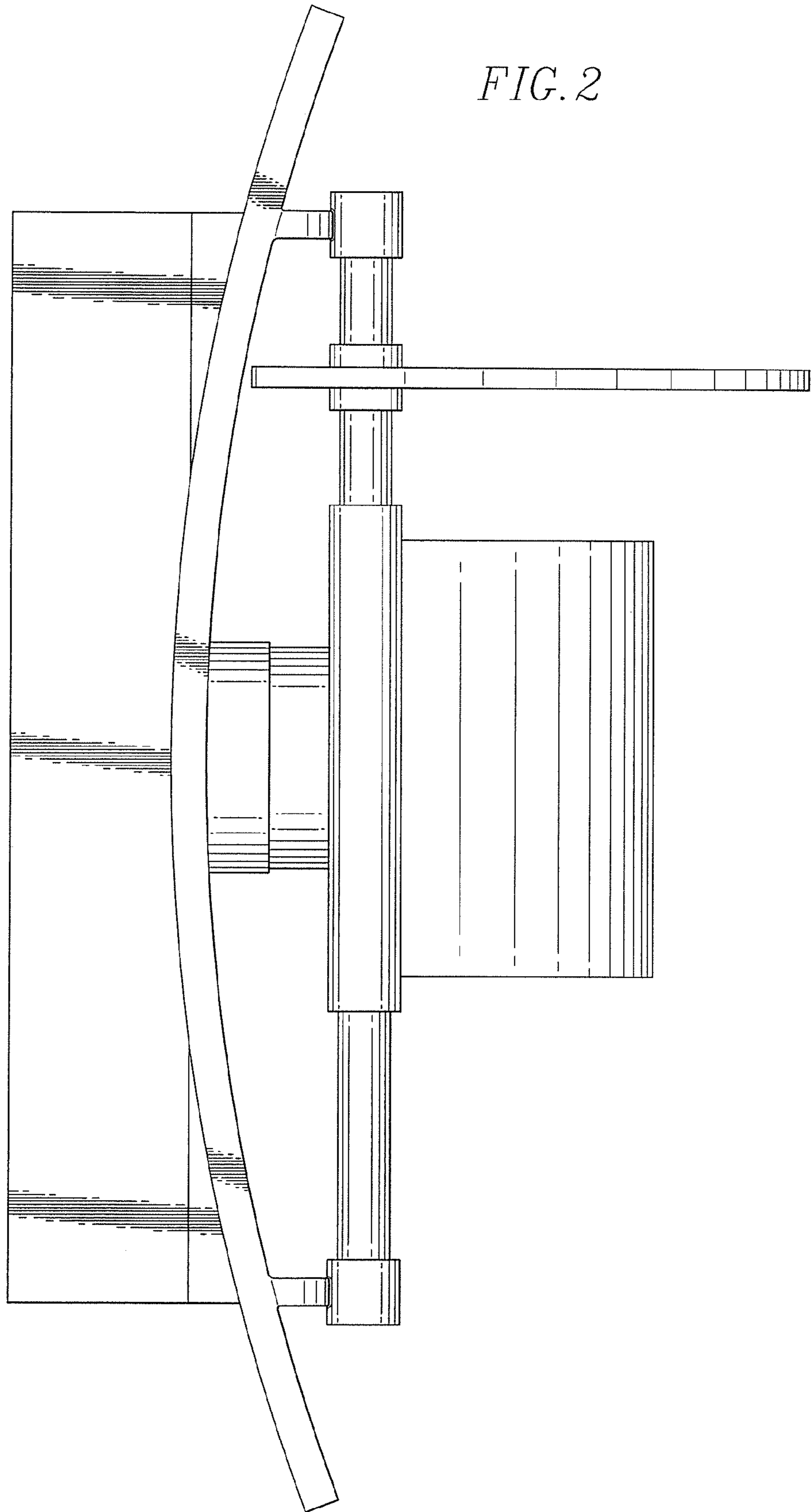


FIG. 3

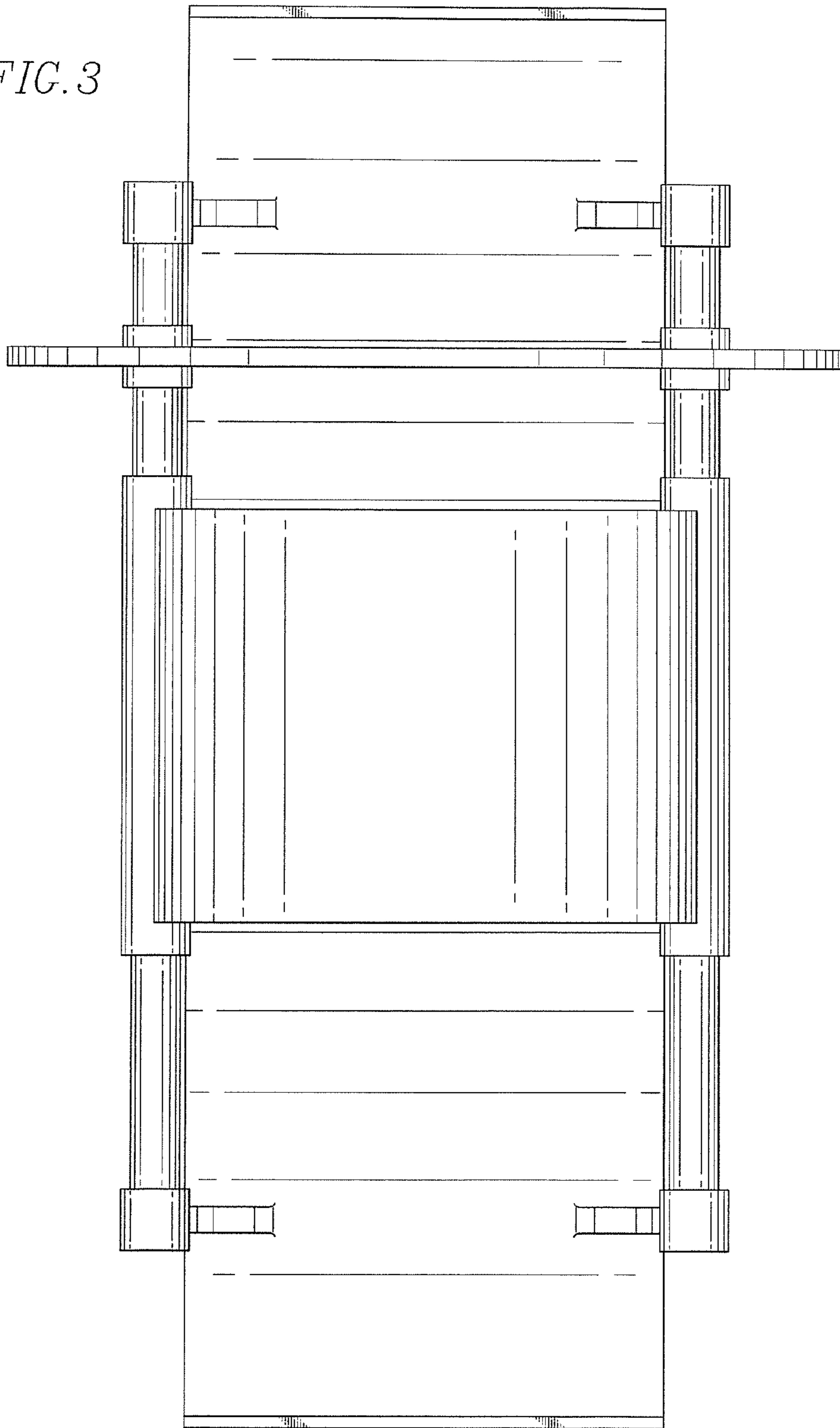


FIG. 4

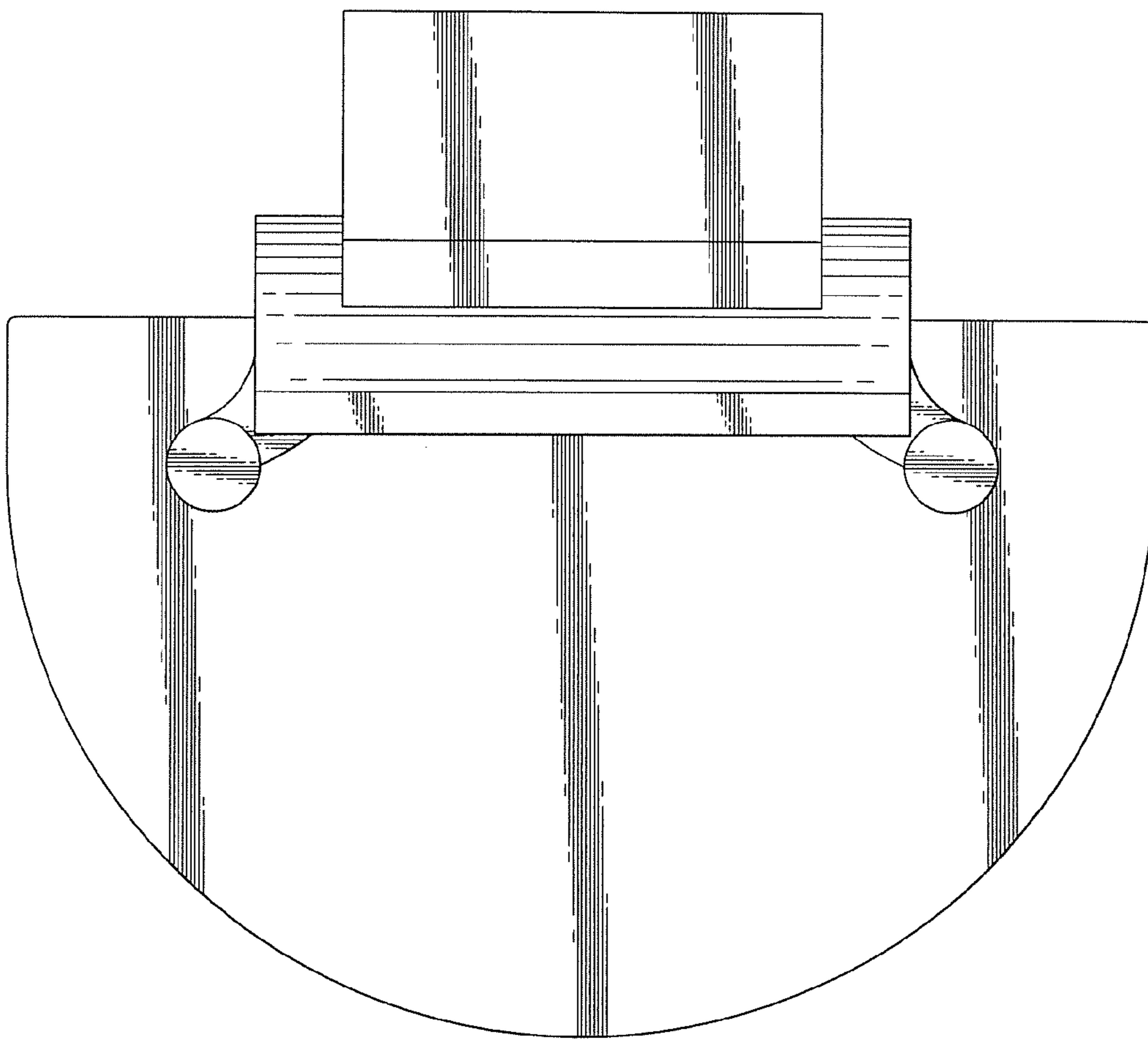


FIG. 5

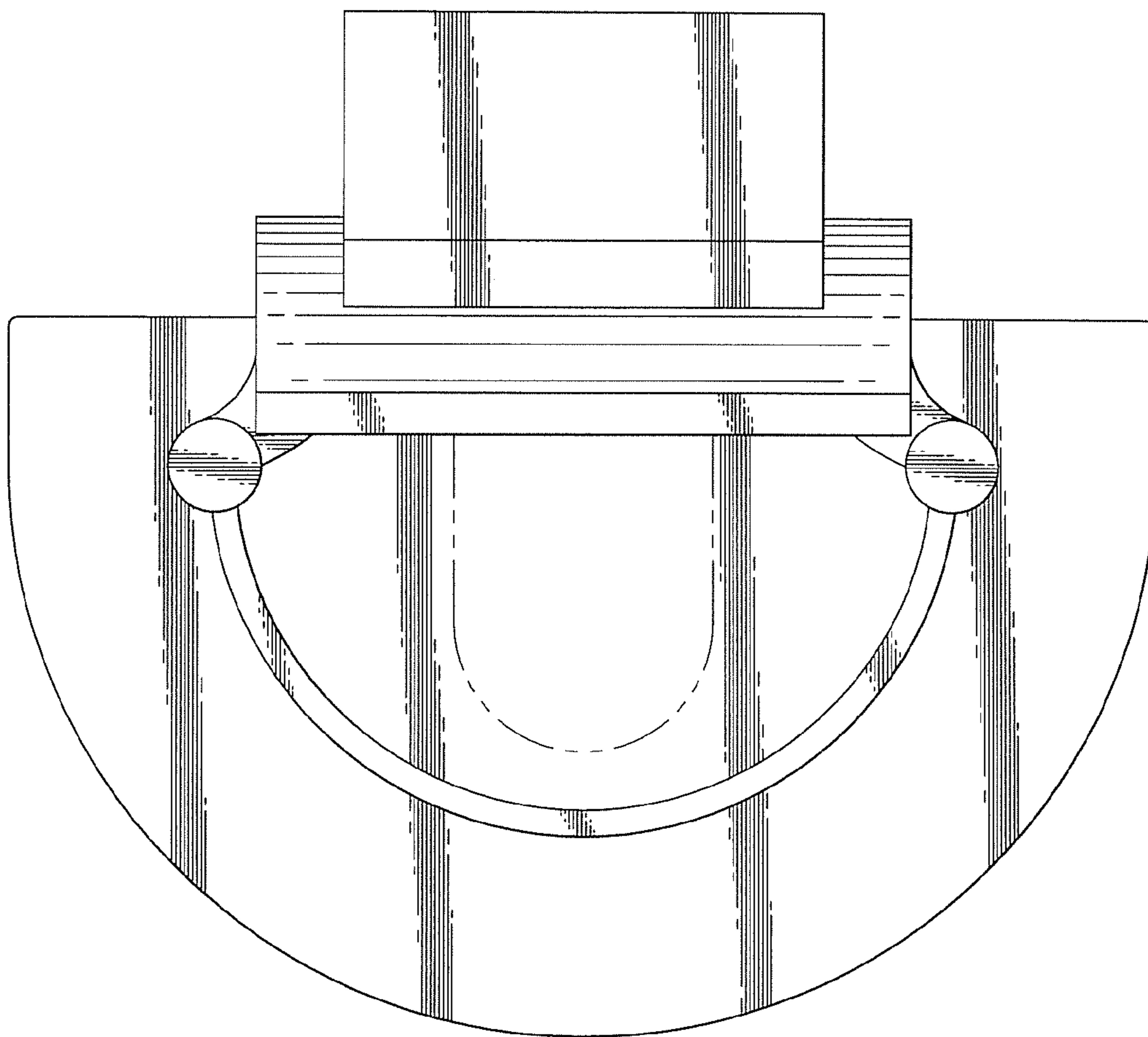


FIG. 6

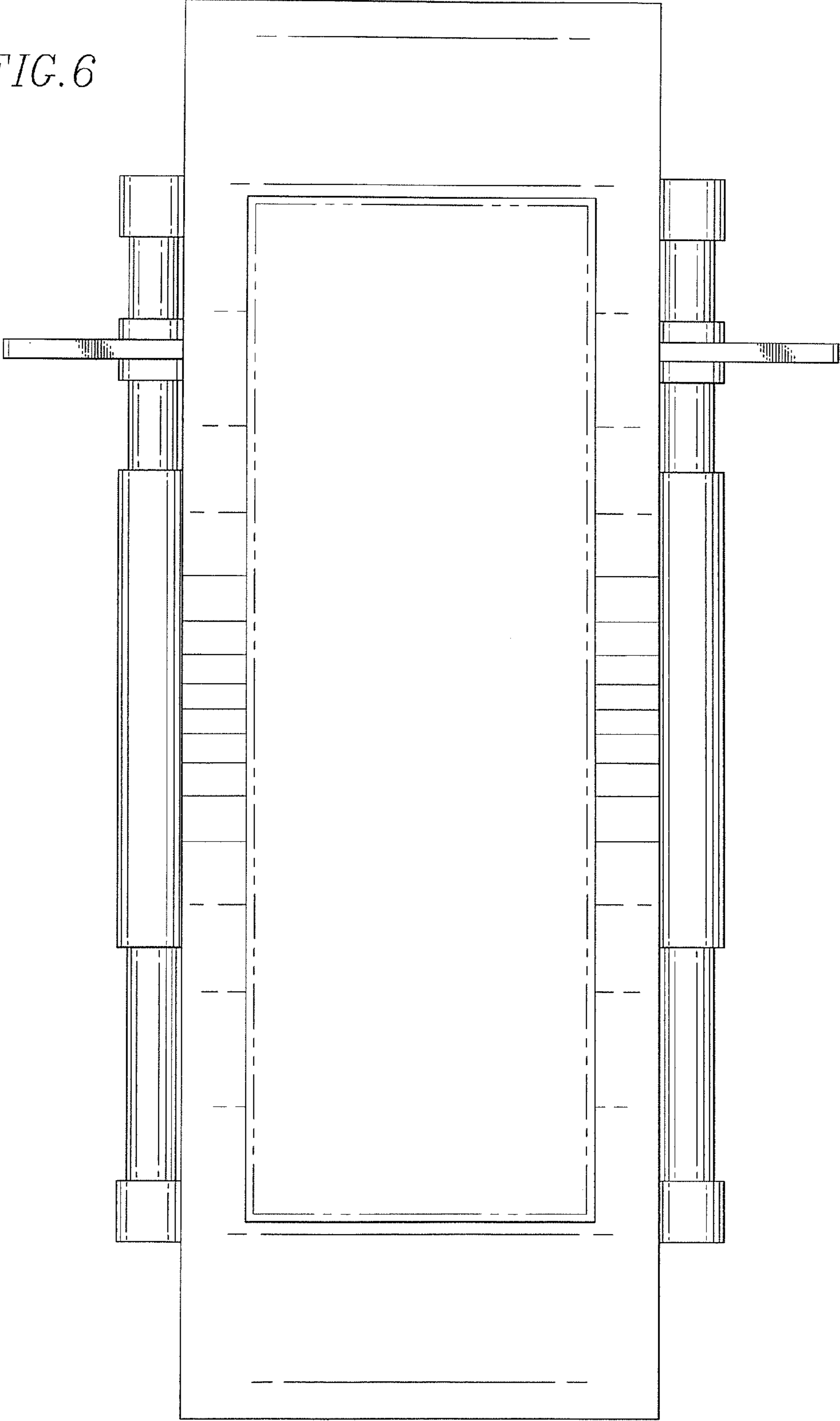


FIG. 7

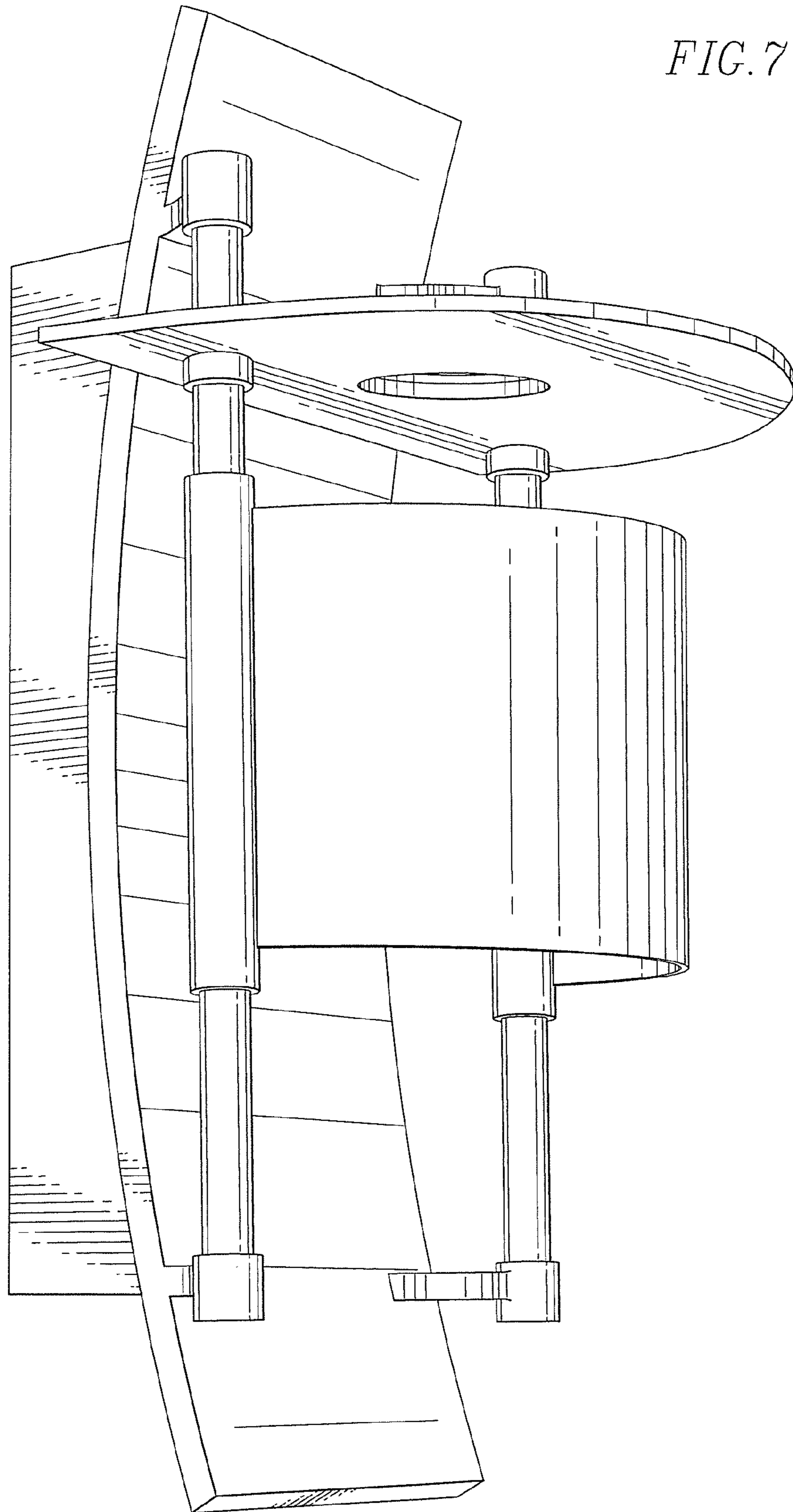


FIG. 8

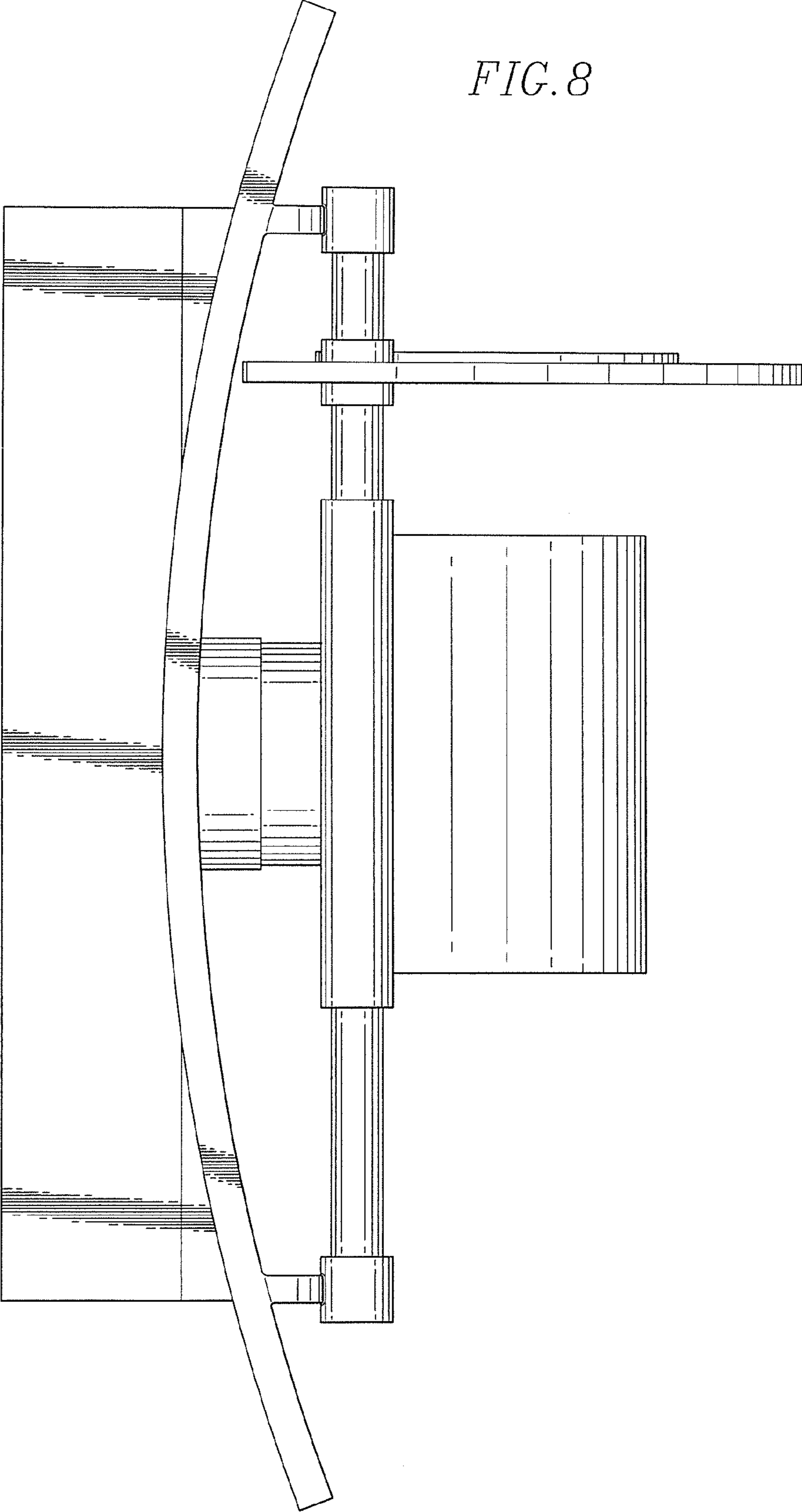


FIG. 9

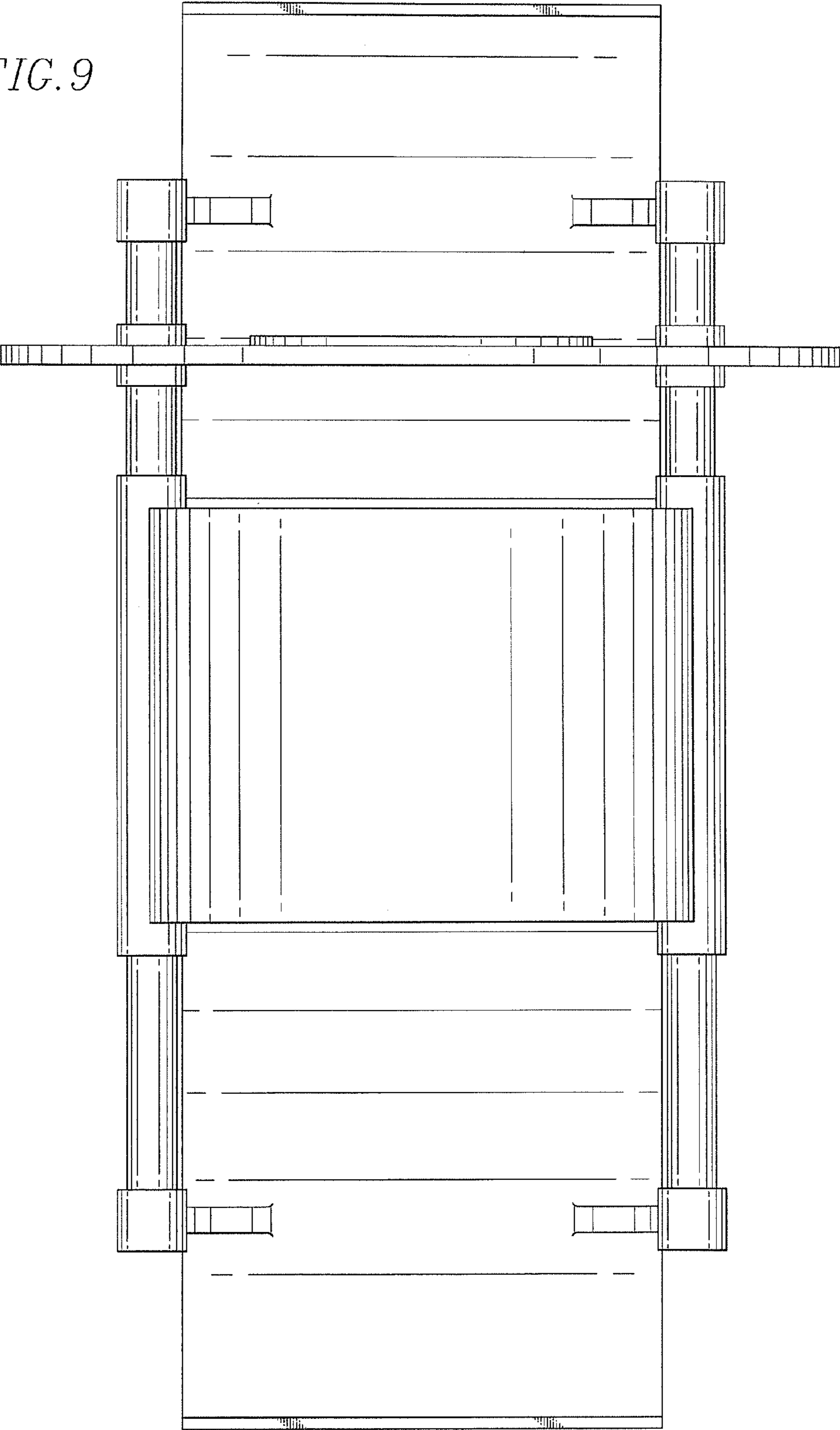


FIG. 10

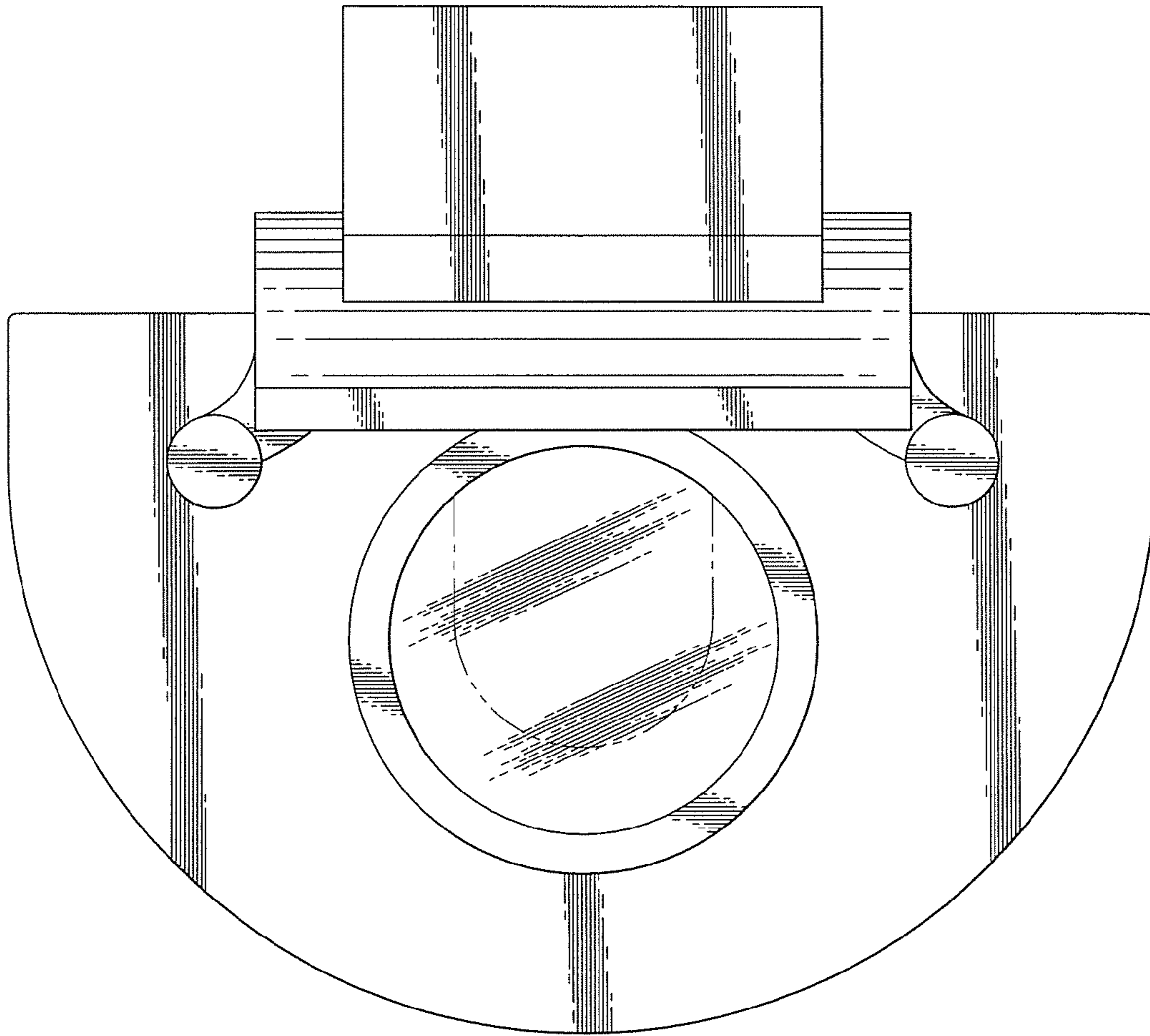


FIG. 11

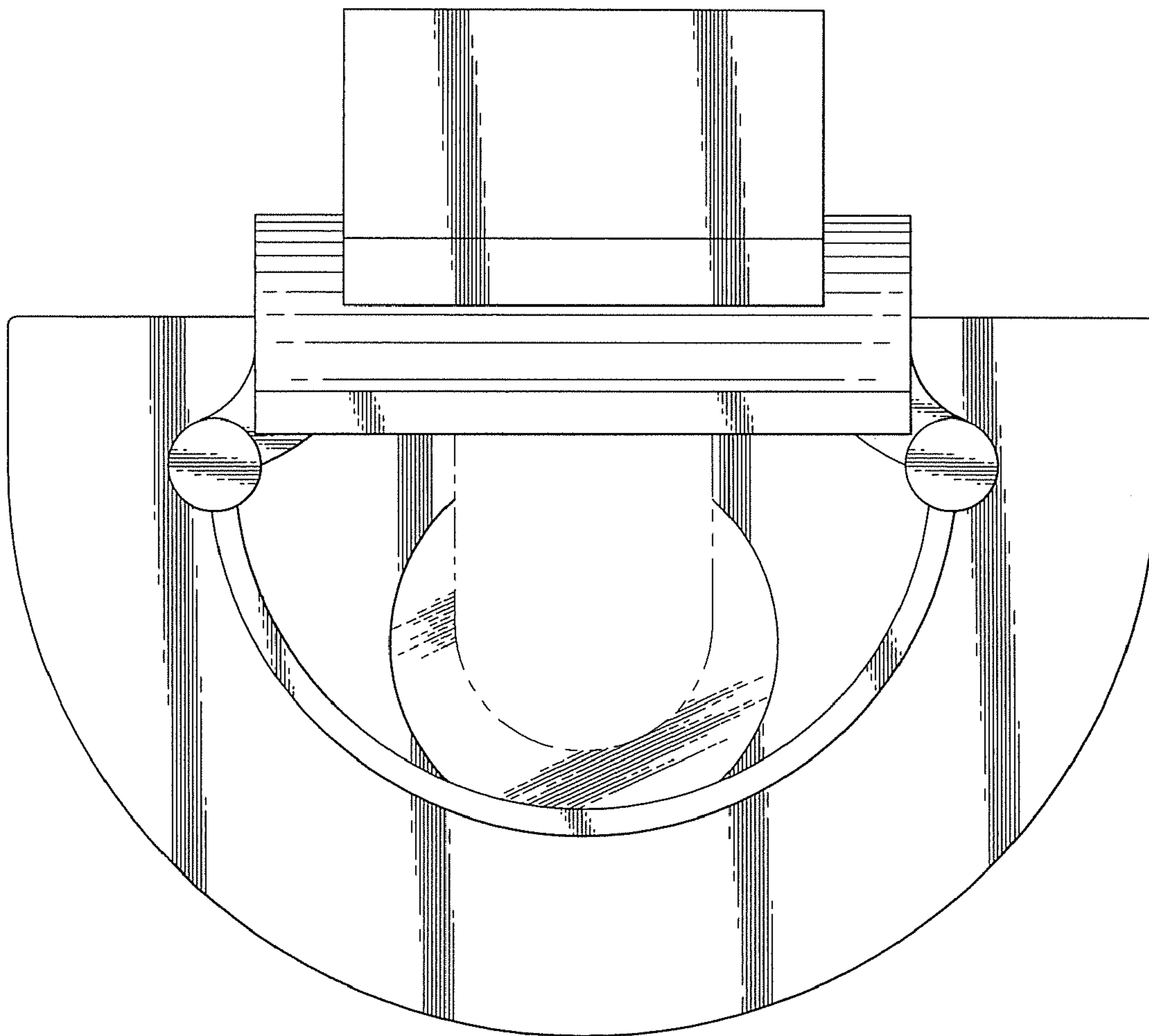
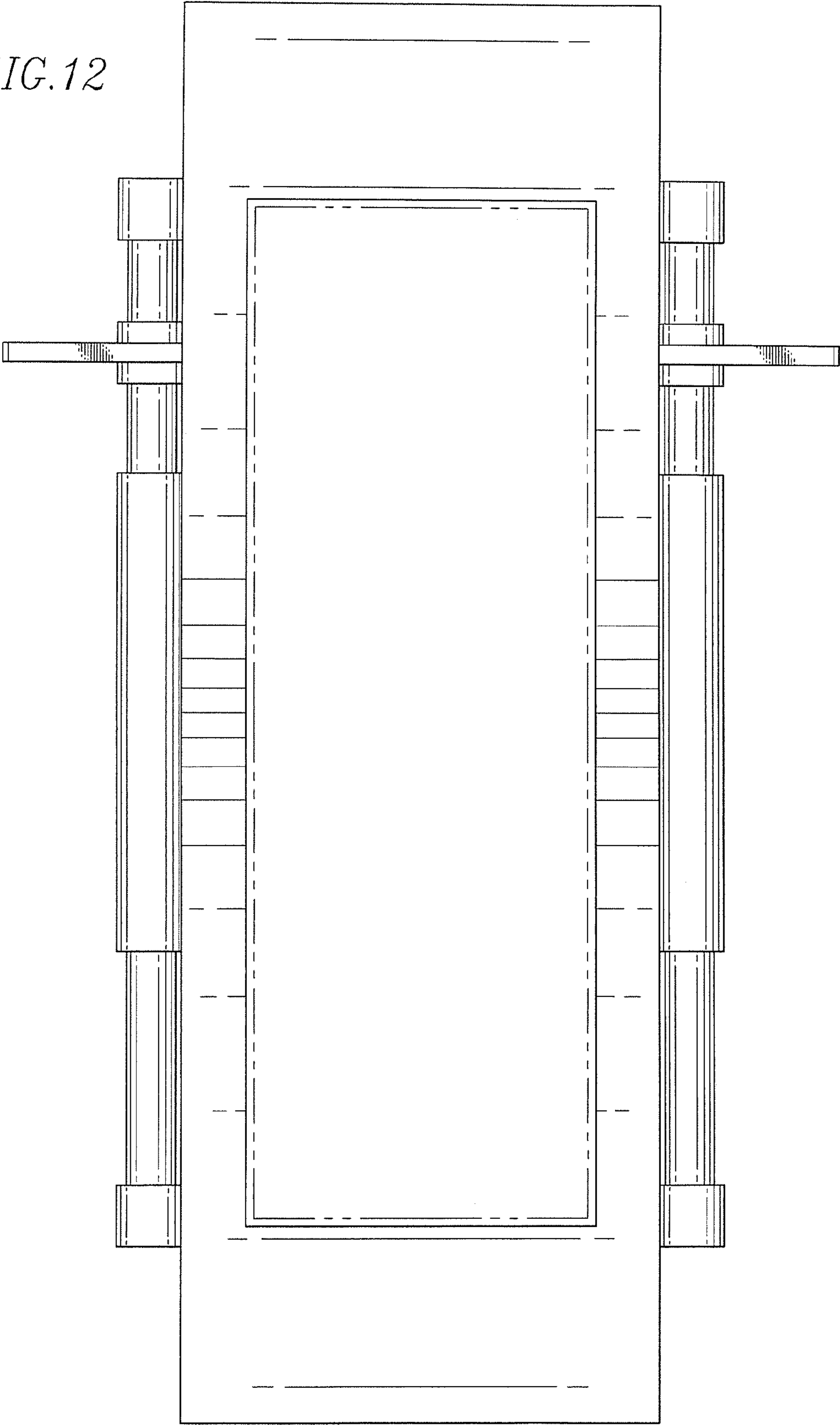


FIG. 12



UNITED STATES PATENT AND TRADEMARK OFFICE
CERTIFICATE OF CORRECTION

PATENT NO. : D617,034 S
APPLICATION NO. : 29/341798
DATED : June 1, 2010
INVENTOR(S) : Wayne W. Compton

Page 1 of 1

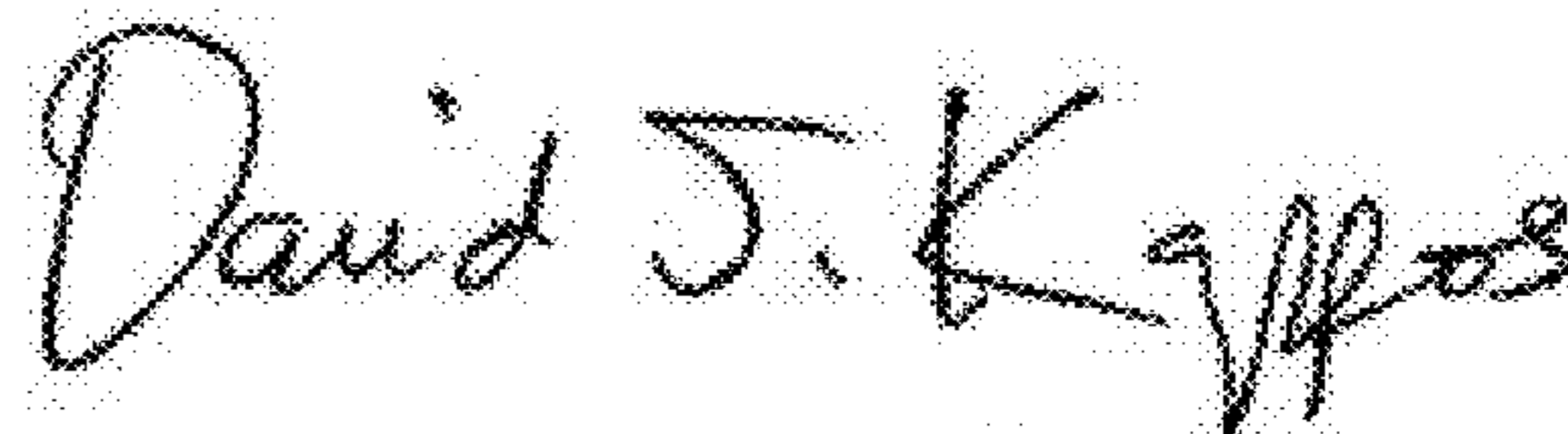
It is certified that error appears in the above-identified patent and that said Letters Patent is hereby corrected as shown below:

On the Title Page

(57) Claim, line 1

After "for" Insert -- a --

Signed and Sealed this
Nineteenth Day of April, 2011



David J. Kappos
Director of the United States Patent and Trademark Office