



US00D617031S

(12) **United States Design Patent**
Redfern et al.

(10) **Patent No.:** **US D617,031 S**
(45) **Date of Patent:** **** *Jun. 1, 2010**

- (54) **LIGHTING FIXTURE**
- (75) Inventors: **Chris Redfern**, Milan (IT); **Jean-Michel Wilmotte**, Paris (FR)
- (73) Assignee: **Zumtobel Staff GmbH & Co., KG**, Lemgo (DE)
- (**) Term: **14 Years**
- (21) Appl. No.: **29/305,326**
- (22) Filed: **Mar. 18, 2008**

D232,256 S	7/1974	Koshigaya	D26/102
4,316,237 A	2/1982	Yamada et al.	362/33
4,319,311 A	3/1982	Mitchell	362/250

(Continued)

OTHER PUBLICATIONS

Office Action, U.S. Patent and Trademark Office, U.S. Appl. No. 29/339,376, mailed on Sep. 29, 2009. 10 sheets.

(Continued)

Primary Examiner—Clare E Heflin
(74) *Attorney, Agent, or Firm*—Fitzpatrick, Cella, Harper & Scinto

Related U.S. Application Data

- (62) Division of application No. 29/211,634, filed on Aug. 19, 2004, now Pat. No. Des. 568,517.

Foreign Application Priority Data

- (30) Feb. 19, 2004 (EM) 000144035-0001/0016

- (51) **LOC (9) Cl.** **26-03**
- (52) **U.S. Cl.** **D26/85**
- (58) **Field of Classification Search** D26/61–66,
D26/85, 118; 362/147, 404–408, 362
See application file for complete search history.

References Cited

U.S. PATENT DOCUMENTS

D47,863 S	9/1915	Seamon	D26/63
D74,734 S	3/1928	Garey et al.	D26/63
1,870,241 A	8/1932	Dorey	362/243
D128,967 S	8/1941	Peterson	D26/63
D166,411 S	4/1952	Rahn	D26/80
D168,738 S	2/1953	Friedman	D23/334
D175,528 S	9/1955	Atkin	D48/20
D211,388 S	6/1968	Harrison	D48/20
D222,556 S	11/1971	Mattson et al.	D48/20
3,643,079 A	2/1972	Glickman	362/251
D228,361 S	9/1973	Burns et al.	D26/71

(57) **CLAIM**

The ornamental design for a lighting fixture, as shown and described.

DESCRIPTION

FIG. 1 is a perspective view of the light fixture showing a side and bottom of the new design;

FIG. 2 is another perspective view thereof showing the design at a greater tilt to reveal the internal reflector and lamp configuration;

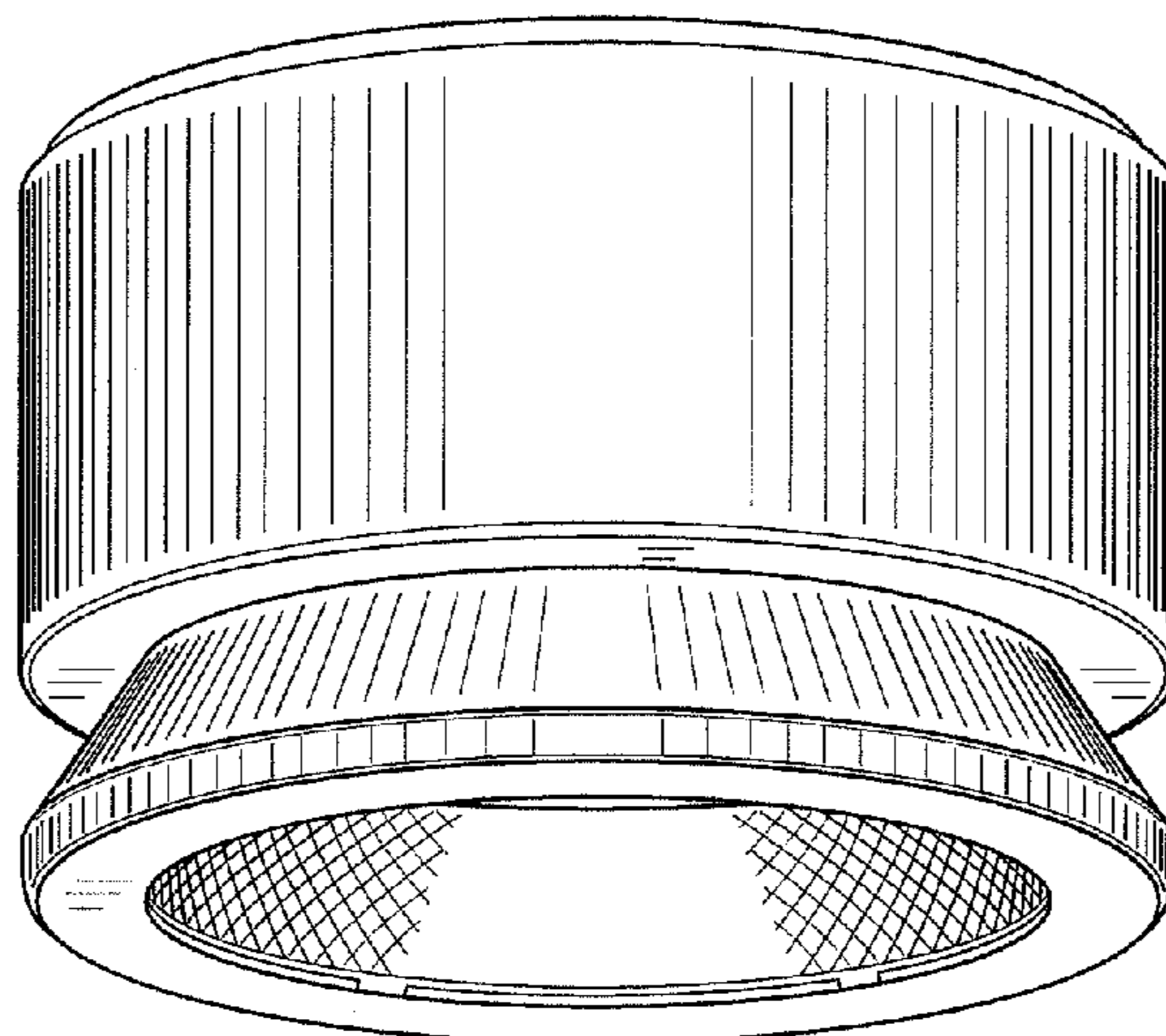
FIG. 3 is another perspective view thereof showing the design at a greater tilt to reveal the internal reflector and lamp configuration; and,

FIG. 4 is a perspective view thereof showing the side and top of the new design.

The broken line showing of lamps in FIGS. 1, 2, and 3 is for the purpose of illustrating environmental structure and forms no part of the claimed design.

The cross-hatching pattern on the interior is understood to cover the entire lower surface as indicated in FIG. 3. Portions have been left un-hatched in FIGS. 1 and 2 for ease of illustration only.

1 Claim, 2 Drawing Sheets



US D617,031 S

Page 2

U.S. PATENT DOCUMENTS

D264,206 S	5/1982	Heritage	D13/133	D459,514 S	6/2002	Mier-Langner et al.	D26/63
D290,524 S	6/1987	Kusmer	D13/110	6,457,848 B1	10/2002	Wolf et al.	362/364
D315,419 S *	3/1991	Layne	D26/63	6,755,558 B2	6/2004	Krietenstein et al.	362/365
D325,645 S *	4/1992	Grange	D26/63	D493,138 S	7/2004	Jiang	D13/110
D333,529 S *	2/1993	Denison et al.	D26/68	6,779,910 B1	8/2004	Pelton	362/364
D355,722 S *	2/1995	Roos et al.	D26/63	D520,177 S	5/2006	Roos et al.	D26/143
D360,959 S *	8/1995	Donato et al.	D26/63	D526,735 S *	8/2006	Targetti	D26/63
D361,146 S *	8/1995	Jandrisits et al.	D26/63	D538,959 S *	3/2007	Kosche	D26/63
D370,076 S *	5/1996	Lecluze	D26/63	D545,988 S	7/2007	Goetz-Schaefer	D26/74
D384,430 S *	9/1997	Lecluze	D26/24	D564,121 S	3/2008	Lin	D26/64
D384,431 S	9/1997	Bitton	D26/74	D566,873 S	4/2008	Grundl et al.	D26/63
D394,241 S	5/1998	Wachter et al.	D13/110	D569,544 S	5/2008	Aubrey	D26/138
D394,723 S	5/1998	Mier-Langner et al.	D26/63	D576,345 S	9/2008	Aubrey	D26/138
5,869,786 A	2/1999	Jaakkola et al.	174/96	D580,085 S	11/2008	Svensson	D26/71
5,921,790 A	7/1999	Nieminen et al.	439/121	2002/0137374 A1	9/2002	O'Rourke et al.	439/121
D420,759 S	2/2000	Jiang	D26/65	2003/0223234 A1	12/2003	Tang	362/226
6,056,561 A	5/2000	Lin	439/121	2007/0268701 A1	11/2007	Devlin	362/272
6,059,582 A	5/2000	Tsai	439/121				
6,113,401 A	9/2000	Nieminen et al.	439/121				
6,120,164 A	9/2000	Libin et al.	362/269				
6,132,062 A	10/2000	Borders et al.	362/251				
6,132,065 A	10/2000	Wedell et al.	362/267				
6,132,069 A	10/2000	Sato et al.	362/365				
6,174,069 B1	1/2001	Plunk et al.	362/147				
D437,439 S *	2/2001	Tang	D26/63				
D457,977 S	5/2002	Mier-Langner et al.	D26/63				

OTHER PUBLICATIONS

Office Action, U.S. Patent and Trademark Office, U.S. Appl. No. 29/339,378, mailed on Dec. 8, 2009. 10 sheets.

Office Action, U.S. Patent and Trademark Office, U.S. Appl. No. 29/339,405, mailed on Dec. 8, 2009. 11 sheets.

Office Action, U.S. Patent and Trademark Office, U.S. Appl. No. 29/339,404, mailed on Dec. 8, 2009. 9 sheets.

* cited by examiner

FIG. 1

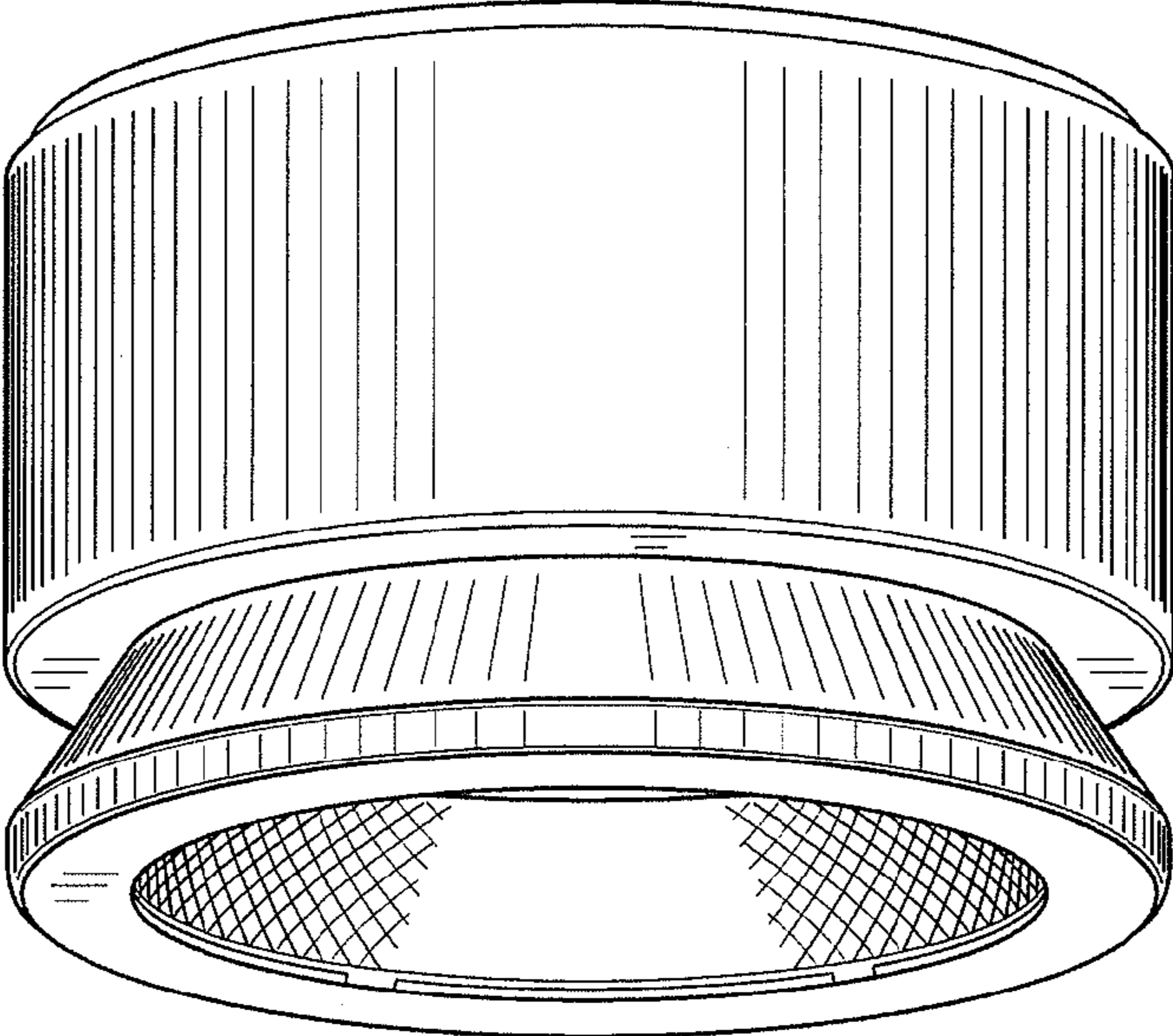


FIG. 2

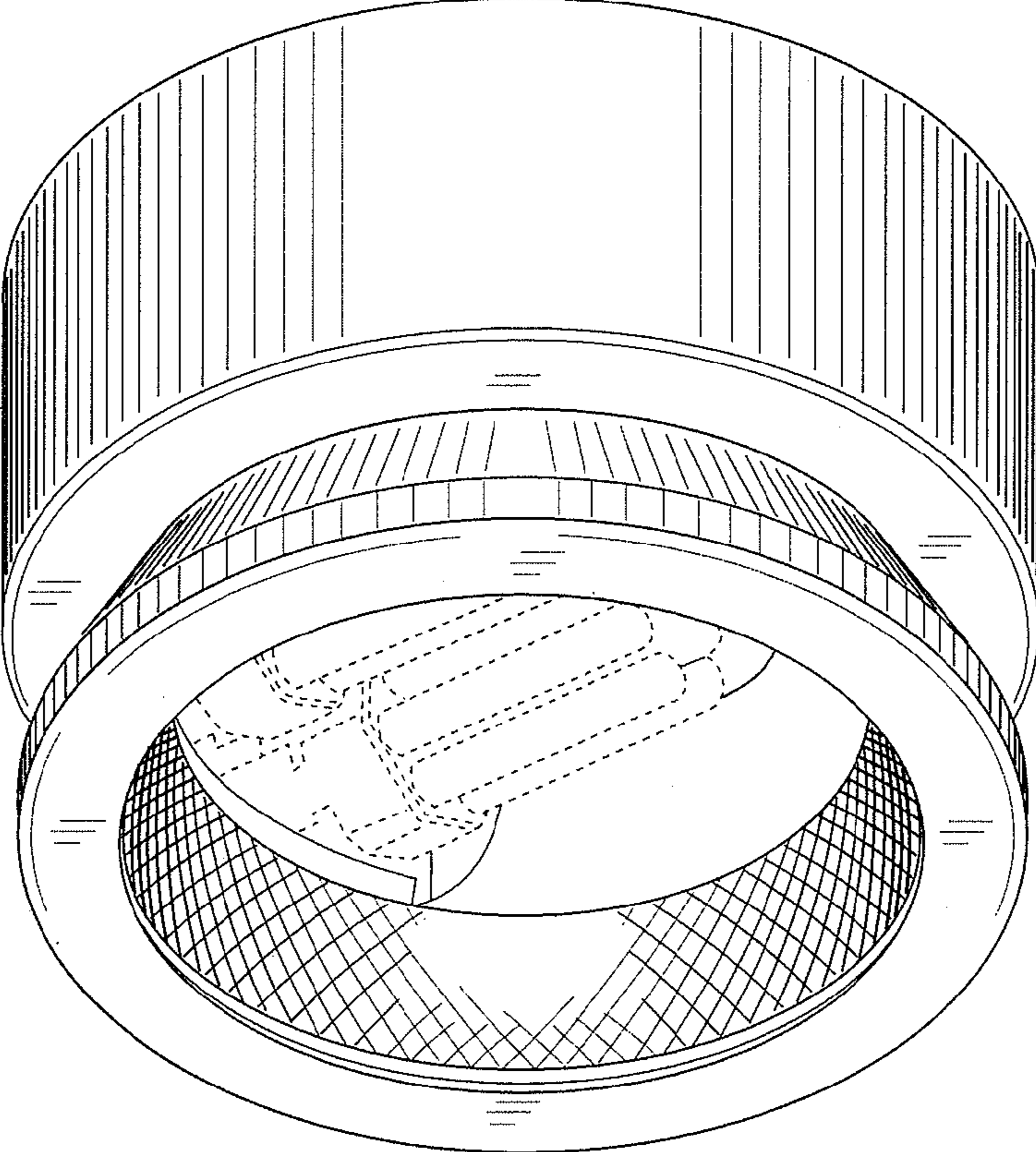


FIG. 3

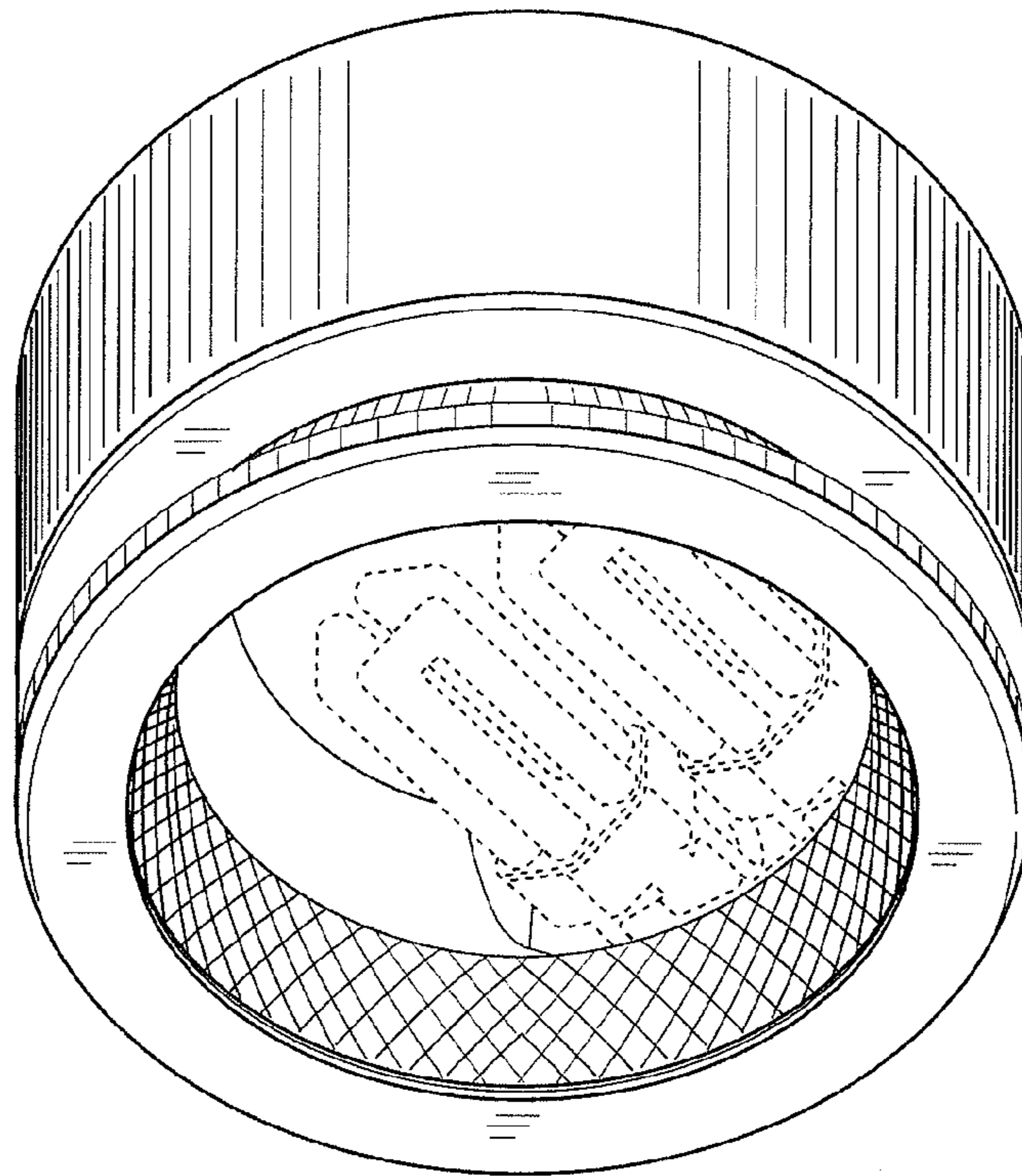


FIG. 4

