



US00D617030S

(12) **United States Design Patent**
Sabernig

(10) **Patent No.:** **US D617,030 S**
(45) **Date of Patent:** **** Jun. 1, 2010**

(54) **LIGHT FIXTURE**

(75) Inventor: **Robert Sabernig**, Munster (AT)

(73) Assignee: **EGLO Leuchten GmbH**, Innsbruck (AT)

(**) Term: **14 Years**

(21) Appl. No.: **29/325,083**

(22) Filed: **Sep. 25, 2008**

(51) **LOC (9) Cl.** **26-03**

(52) **U.S. Cl.** **D26/84; D26/86; D26/90**

(58) **Field of Classification Search** **D26/75, D26/76, 79, 81, 83, 84, 85, 88-91, 118; 362/147, 362/404-408**

See application file for complete search history.

(56) **References Cited**

U.S. PATENT DOCUMENTS

D472,008	S	*	3/2003	Gulassa et al.	D26/90
D536,468	S	*	2/2007	Crosby	D26/84
D578,701	S	*	10/2008	Schuyler et al.	D26/81
D580,088	S	*	11/2008	Orozco	D26/81

OTHER PUBLICATIONS

“Fusion” mosaic glass pendants #528 shown on p. 305 of the E.L.K. Lighting 2009 catalog.*

“Waffle” #E20019-44 shown on p. 11 of the ET2 2007 Lighting Catalog—2nd Edition.*

“Stealth” #E20744-09 shown on p. 15; and “Blocs” #E22036-18 shown on p. 189 of the ET2 2007 Lighting Catalog—2nd . Edition.*
“Hermes Aircraft Cable” pendant #AC-64016 by Access Lighting. Downloaded from arcadianlighting.com Feb. 27, 2009.*

* cited by examiner

Primary Examiner—Clare E Heflin

(74) *Attorney, Agent, or Firm*—Baker & McKenzie LLP

(57) **CLAIM**

The ornamental design for a light fixture, as shown and described.

DESCRIPTION

FIG. 1 is a bottom perspective view of a light fixture in accordance with my design;

FIG. 2 is a front elevation view of the light fixture in accordance with my design, the opposite side being a mirror image of that shown;

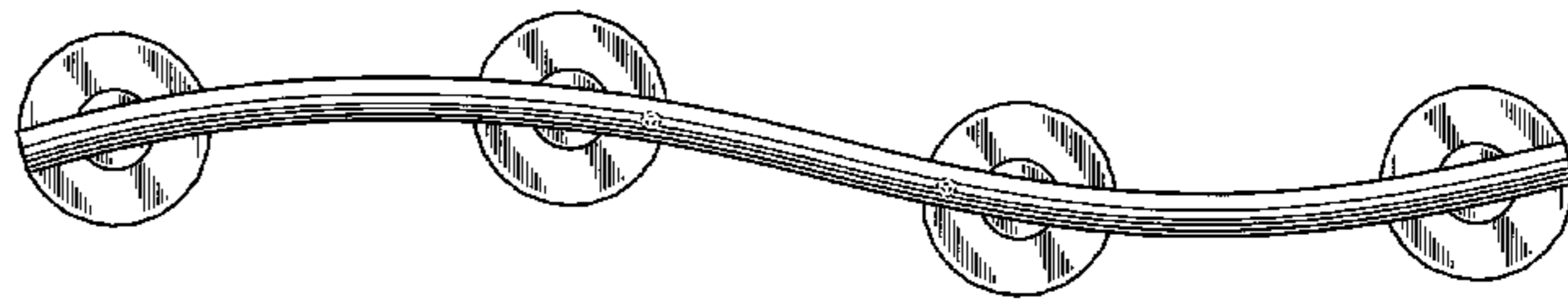
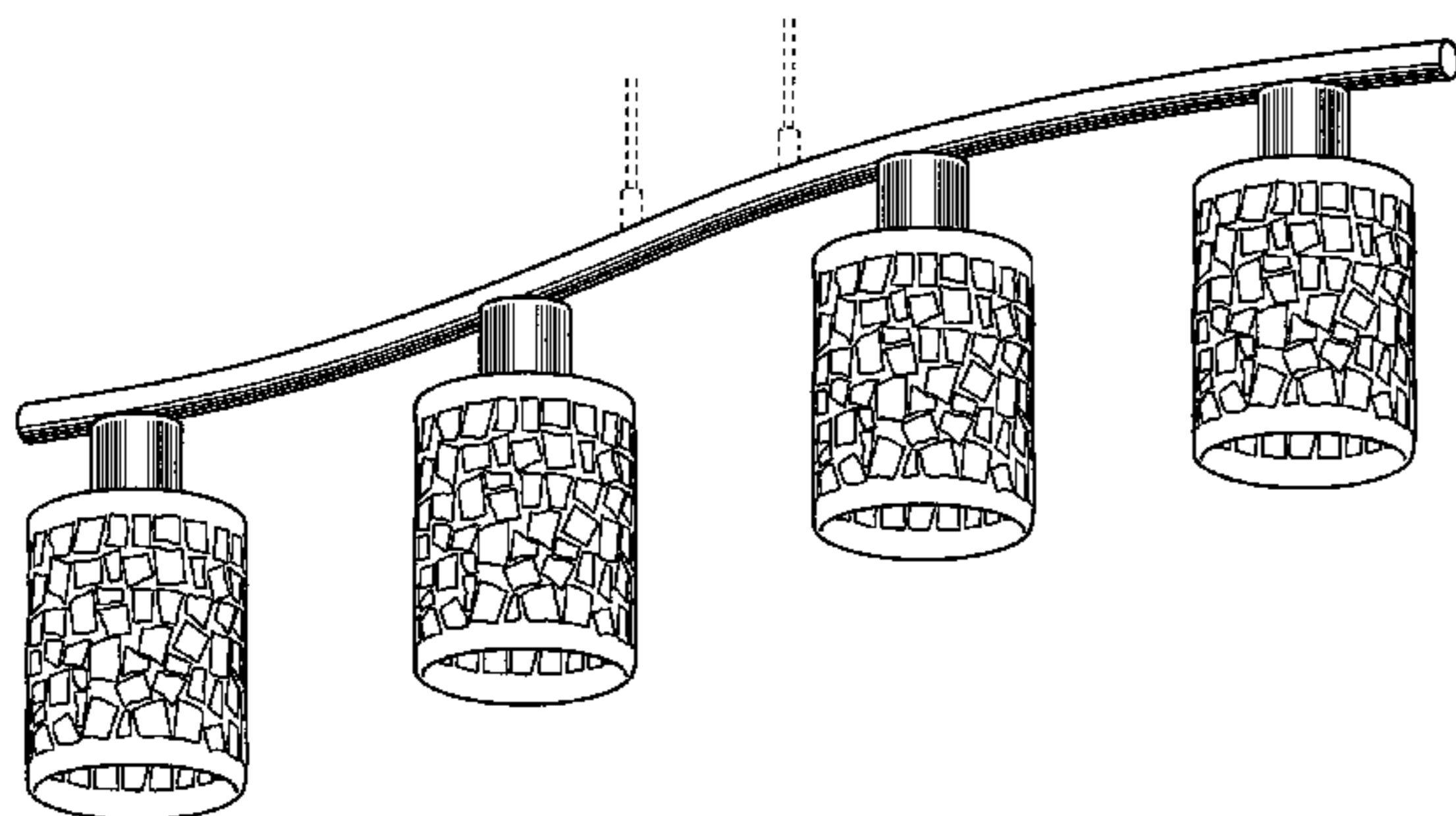
FIG. 3 is a bottom plan view of the light fixture in accordance with my design;

FIG. 4 is a top plan view of the light fixture in accordance with my design; and,

FIG. 5 is a side elevation view of the light fixture in accordance with my design, the opposite side being a mirror image of that shown.

The broken-line disclosure of elements are understood to represent portions of the article in which the design is embodied, but which form no part of the claimed design.

1 Claim, 2 Drawing Sheets



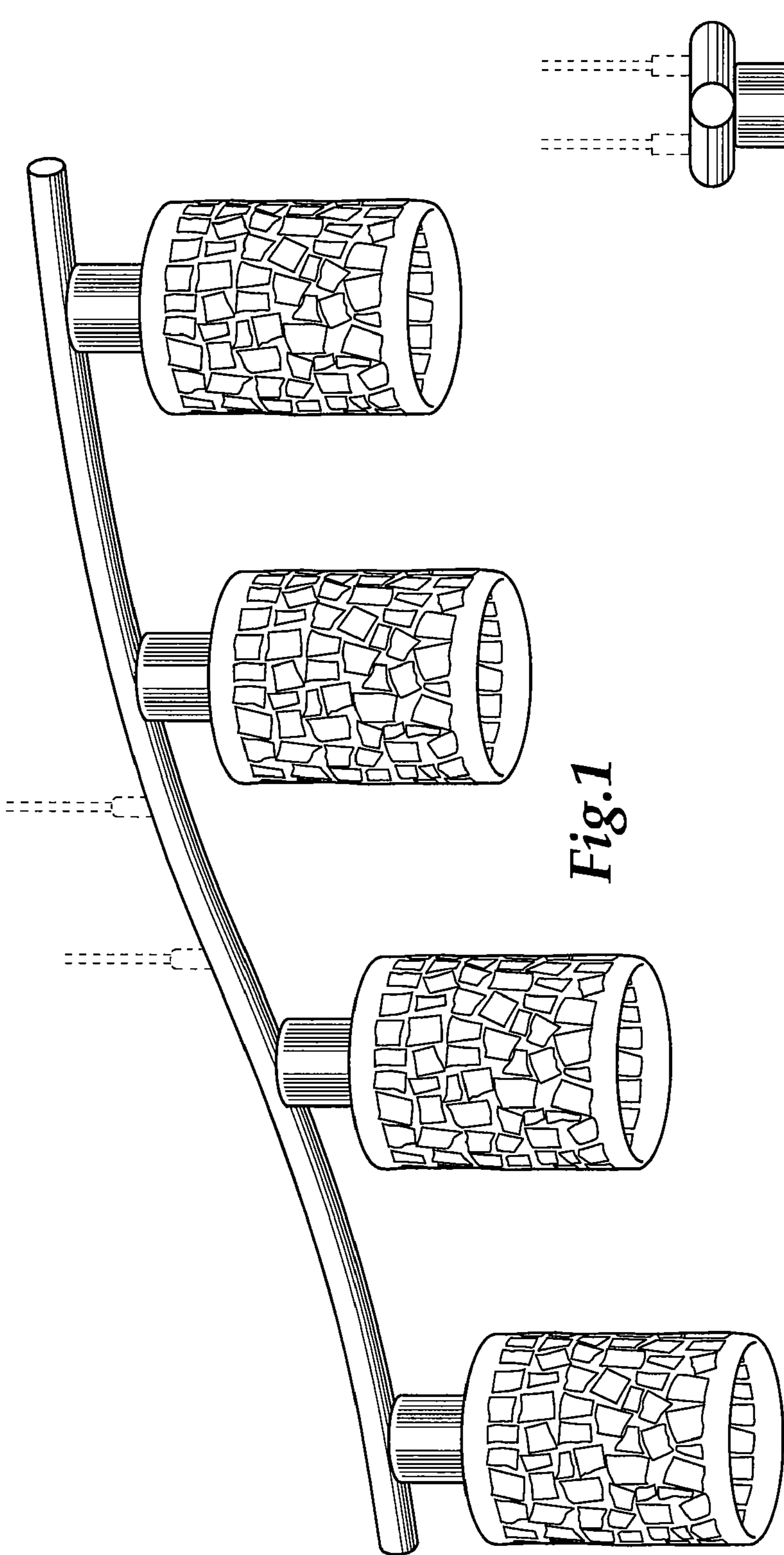


Fig. 1

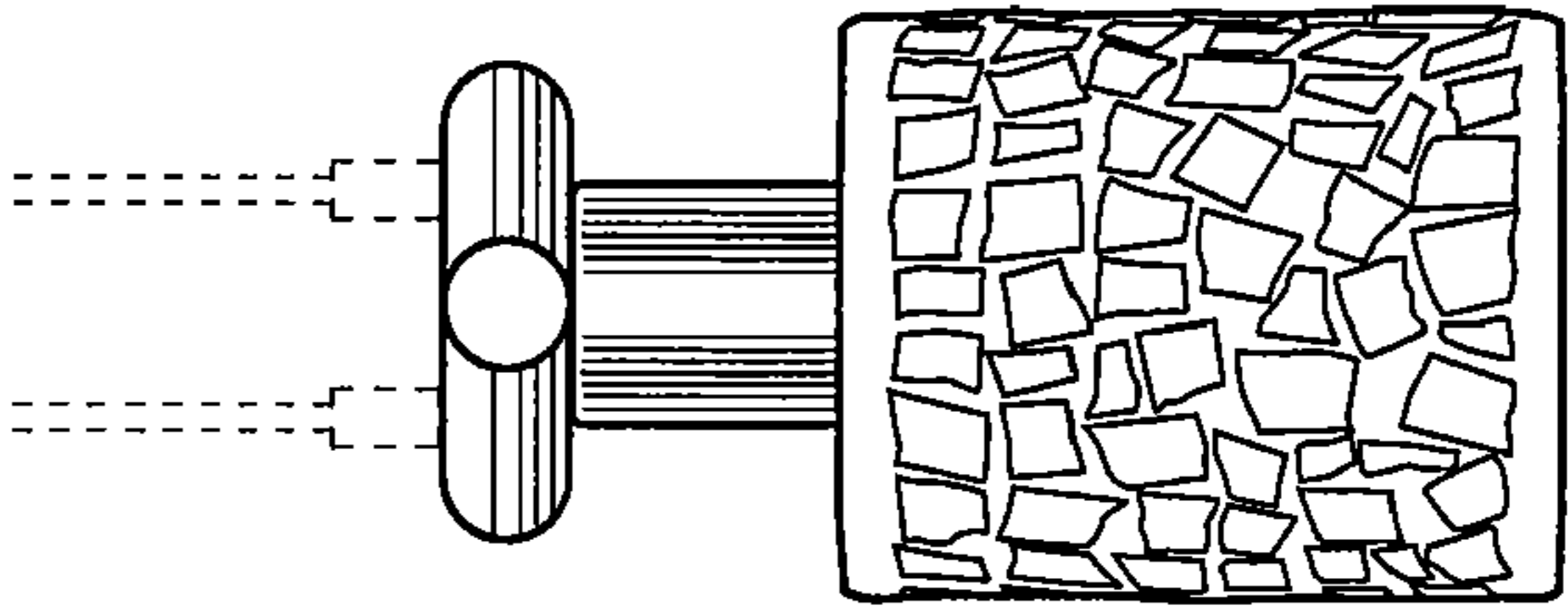


Fig. 5

Fig.4

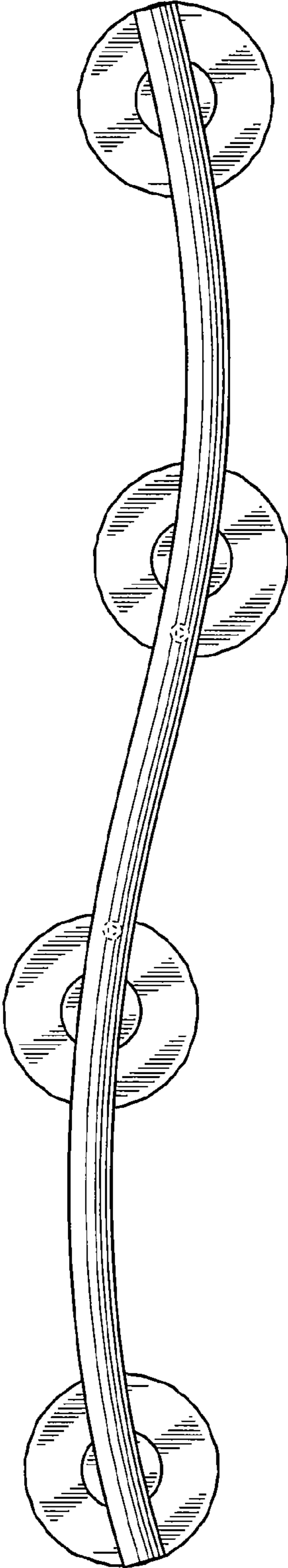


Fig.2

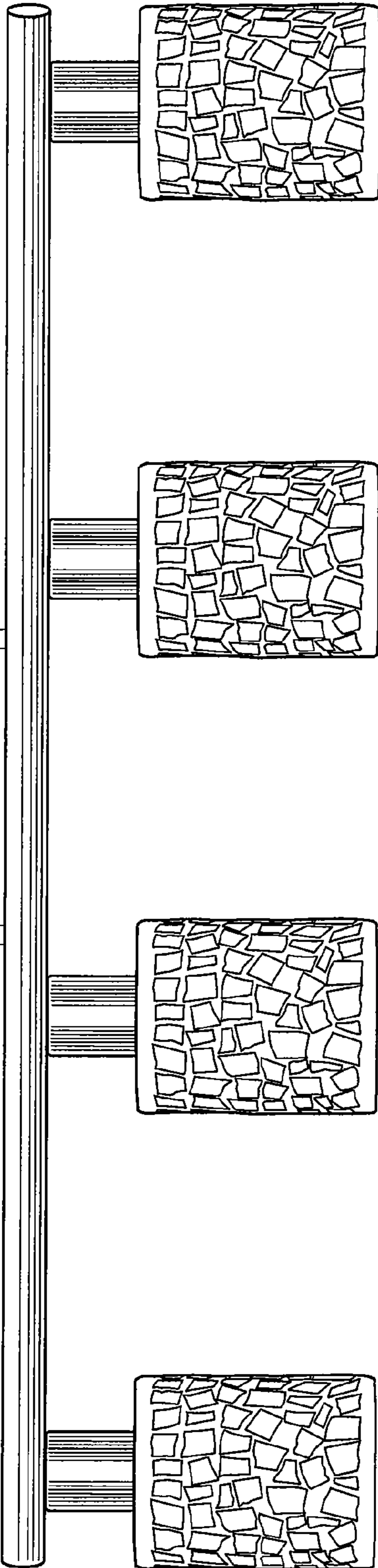


Fig.3

