



US00D617027S

(12) **United States Design Patent**
Yang

(10) **Patent No.:** **US D617,027 S**
(45) **Date of Patent:** **** Jun. 1, 2010**

(54) **LAMP**

(76) Inventor: **Roger Yang**, 83, Zuojhen Vil., Zuojhen Township, Zuojhen, Tainan County (TW)

(**) Term: **14 Years**

(21) Appl. No.: **29/340,193**

(22) Filed: **Jul. 15, 2009**

(51) **LOC (9) Cl.** **26-05**

(52) **U.S. Cl.** **D26/63; D26/65**

(58) **Field of Classification Search** D26/61-65,
D26/107; 362/269, 275, 285, 371, 410, 413,
362/414, 418, 419, 426, 427

See application file for complete search history.

(56) **References Cited**

U.S. PATENT DOCUMENTS

D75,746 S *	7/1928	Peters	D26/65
D78,560 S *	5/1929	Carmichael	D26/65
D158,617 S *	5/1950	Rosenberg	D26/63
D198,540 S *	6/1964	Lawson et al.	D26/63
D215,873 S *	11/1969	Andre	D26/64
D331,813 S *	12/1992	Matsuda	D26/65
D385,646 S *	10/1997	Chan	D26/107

D409,779 S *	5/1999	Schaak et al.	D26/62
D411,638 S *	6/1999	Schaak et al.	D26/62
D479,621 S *	9/2003	Huang	D26/61
D515,722 S *	2/2006	Opolka	D26/62
D601,288 S *	9/2009	Thomson et al.	D26/63

* cited by examiner

Primary Examiner—Clare E Heflin

(74) *Attorney, Agent, or Firm*—Alan Kamrath; Kamrath & Associates PA

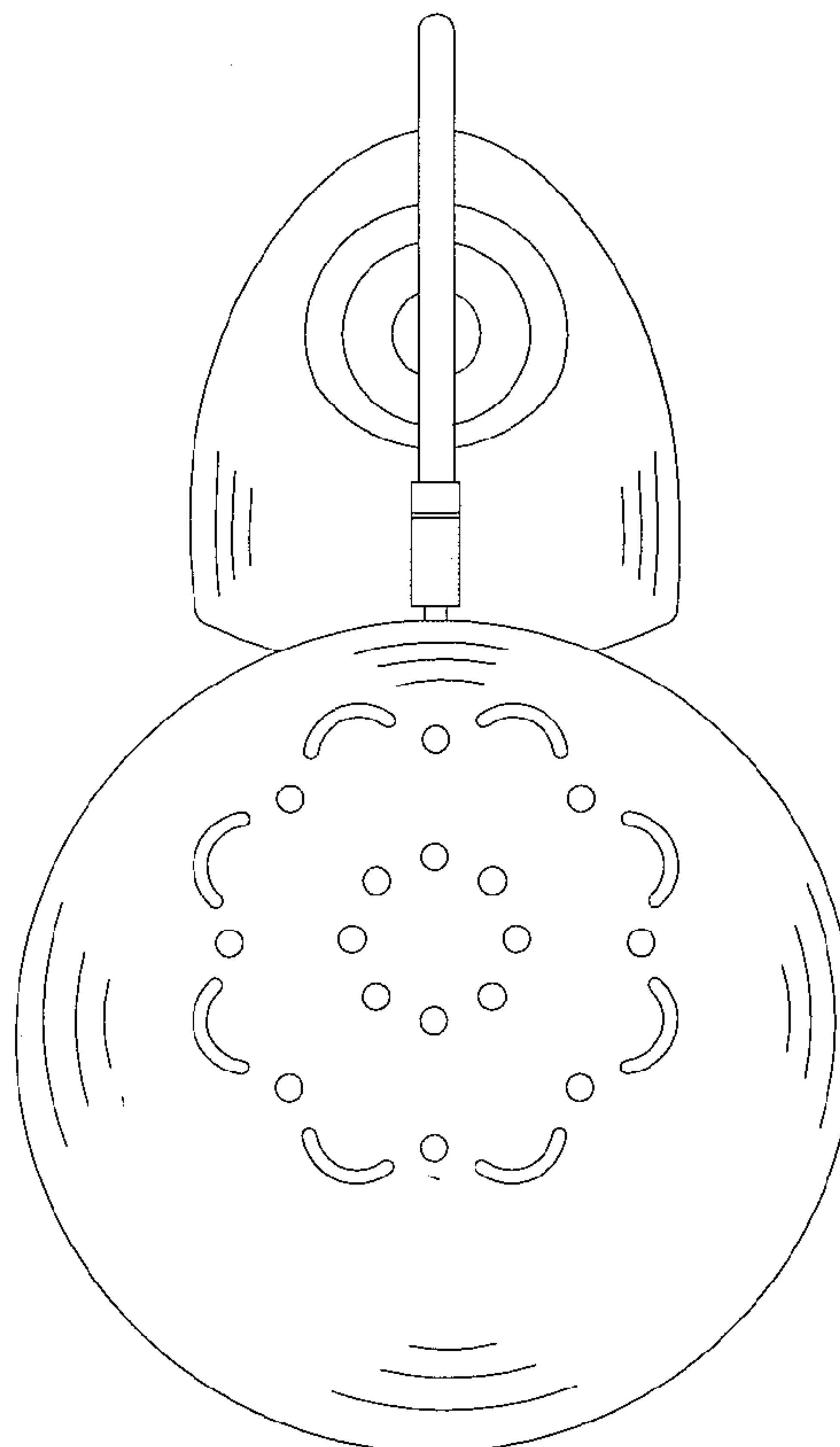
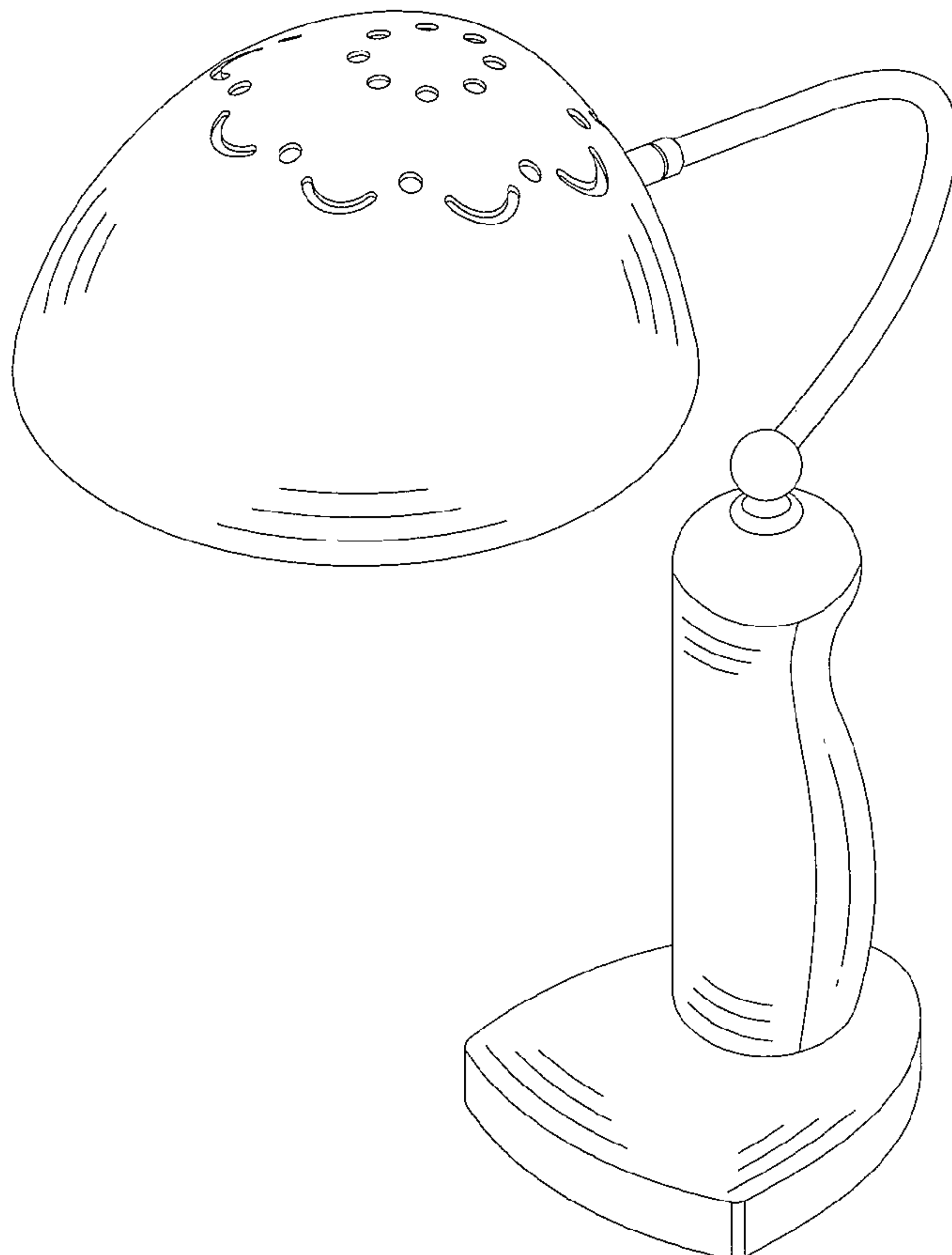
(57) **CLAIM**

The ornamental design for a lamp, as shown and described.

DESCRIPTION

FIG. 1 is a perspective view of a lamp showing my design;
FIG. 2 is a front elevational view thereof;
FIG. 3 is a rear elevational view thereof;
FIG. 4 is a left side elevational view thereof;
FIG. 5 is a right side elevational view thereof;
FIG. 6 is a top plan view thereof; and,
FIG. 7 is a bottom plan view thereof.

1 Claim, 7 Drawing Sheets



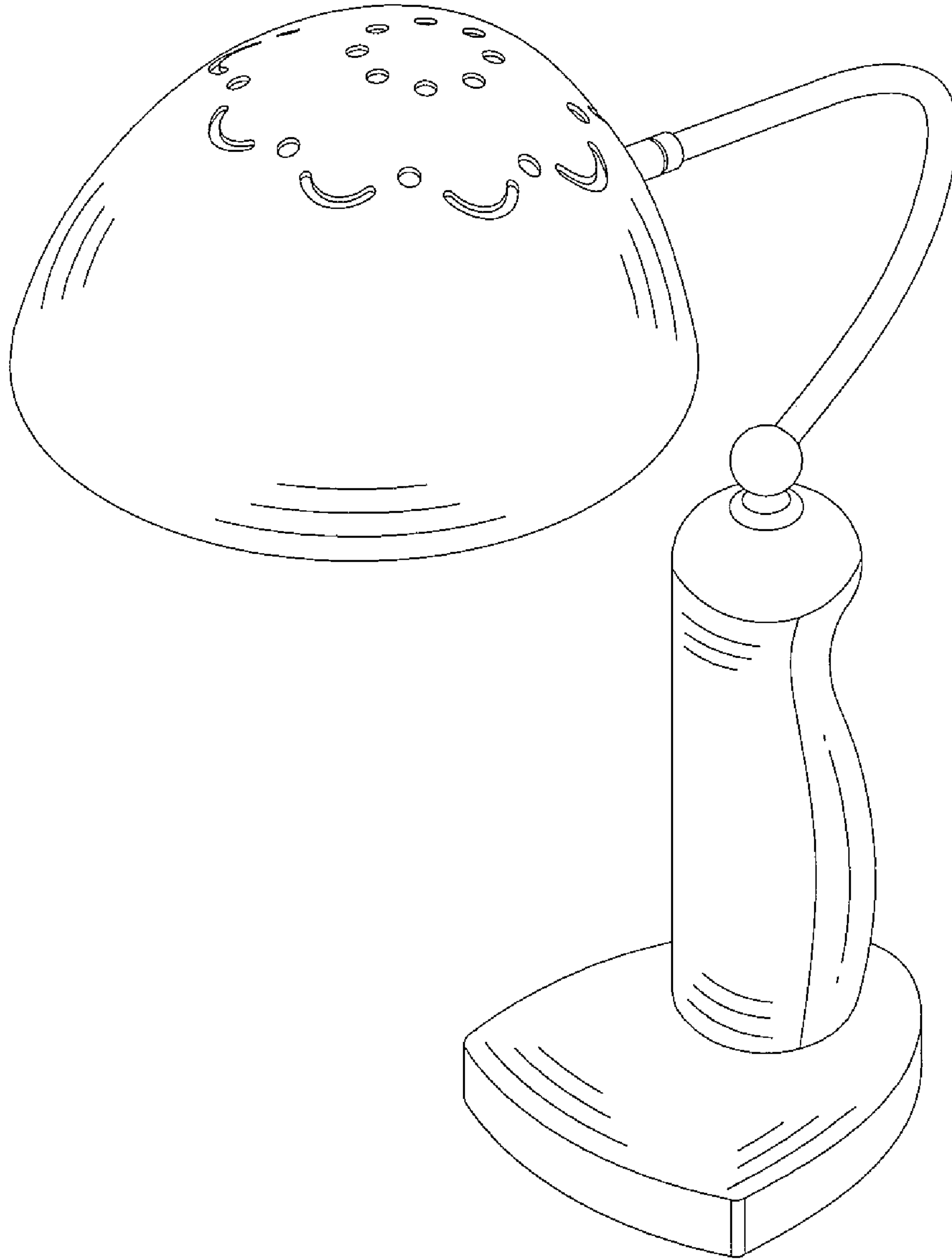


FIG. 1

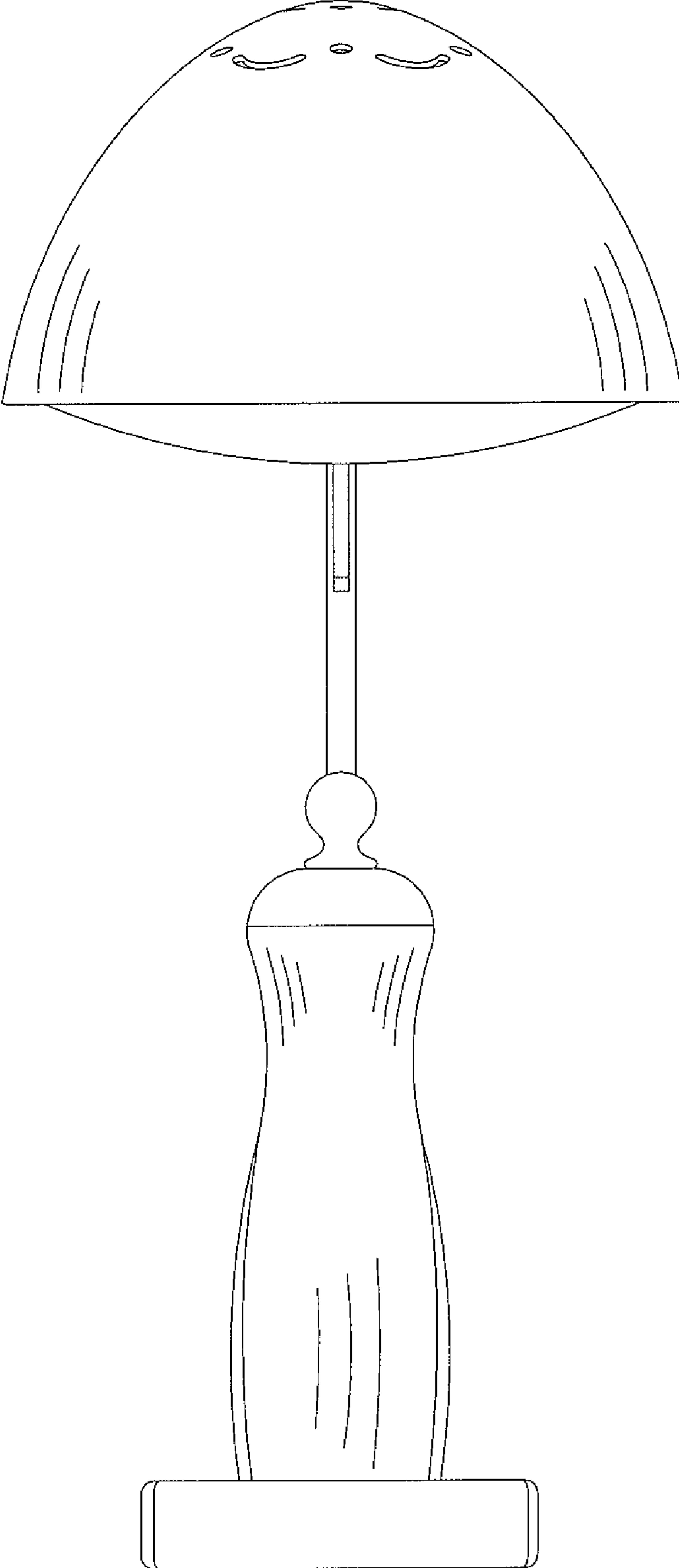


FIG. 2

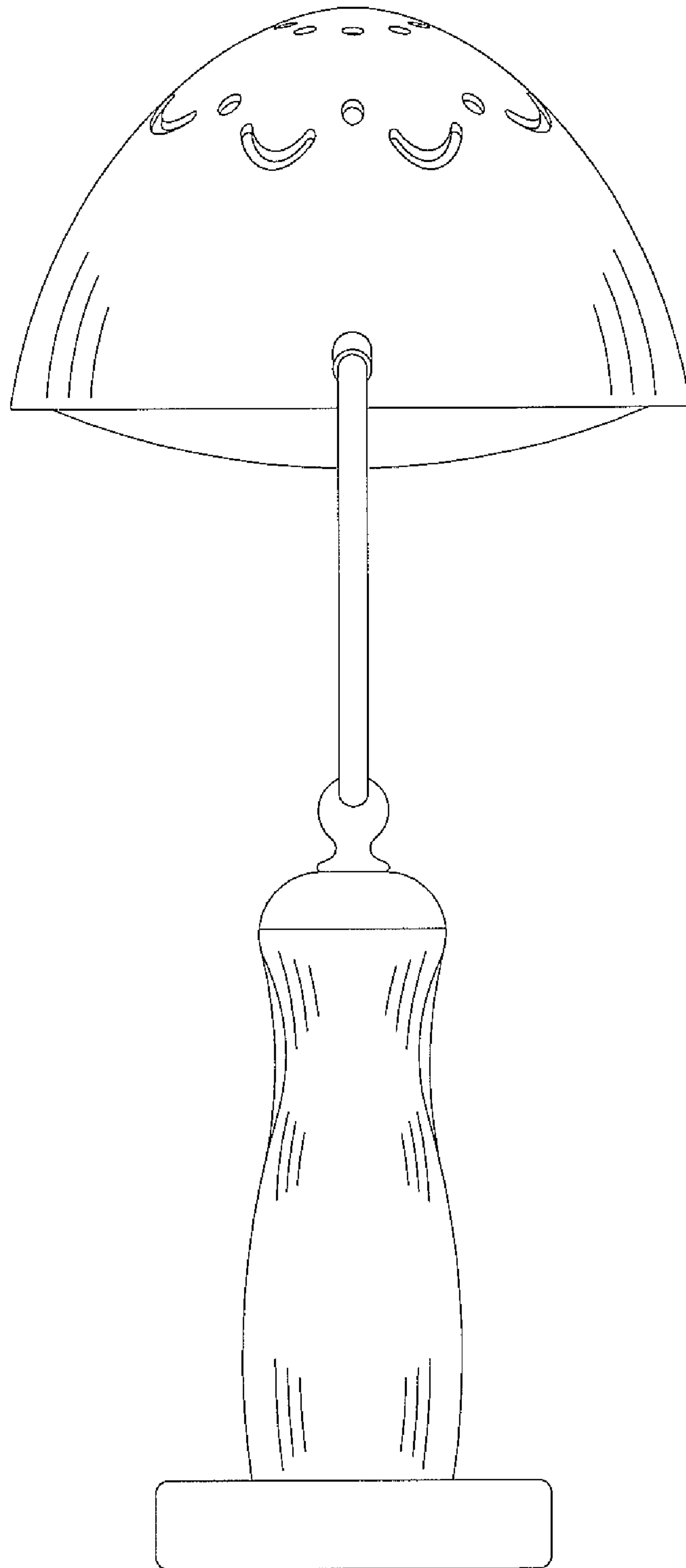


FIG. 3

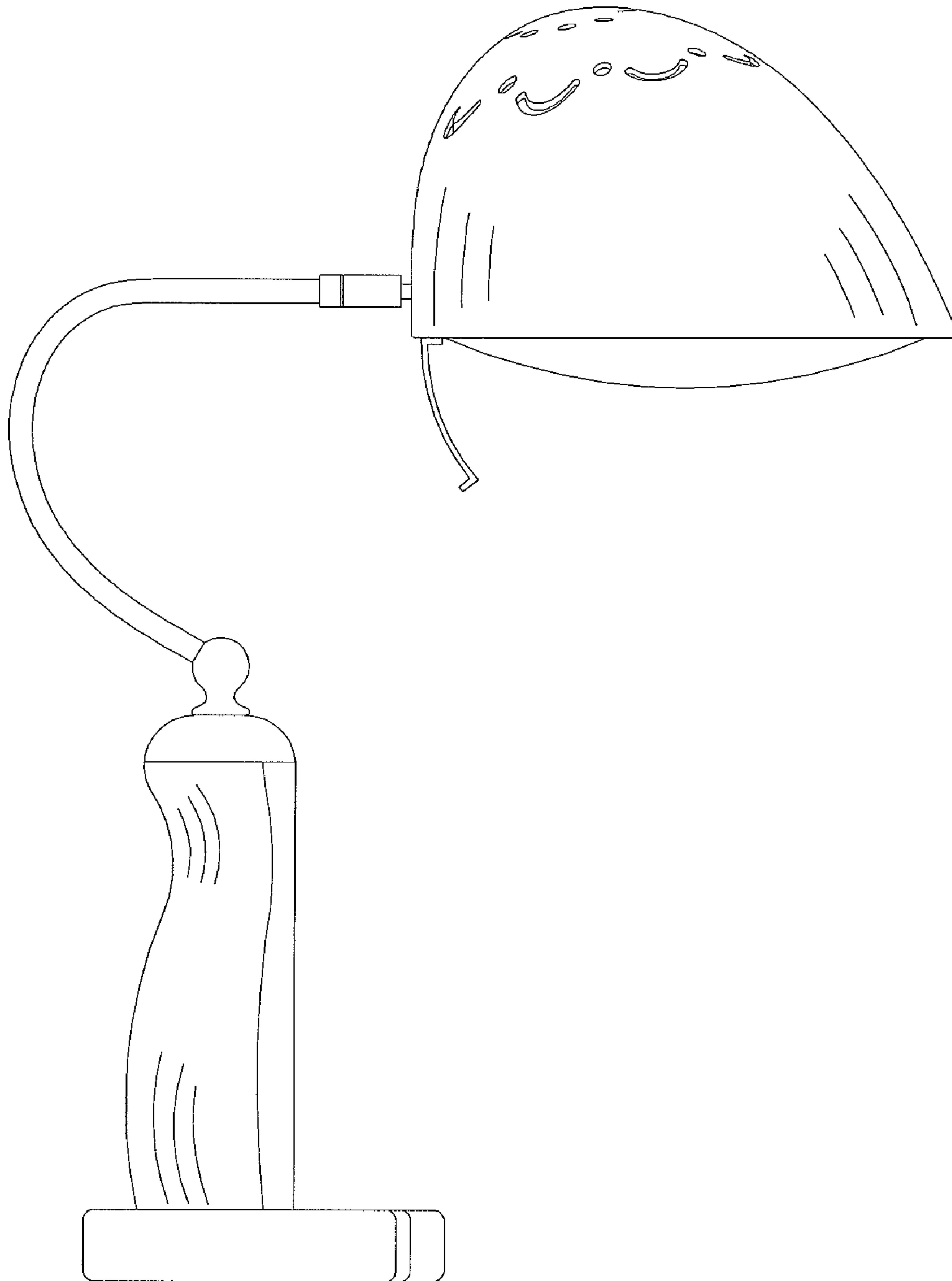


FIG. 4

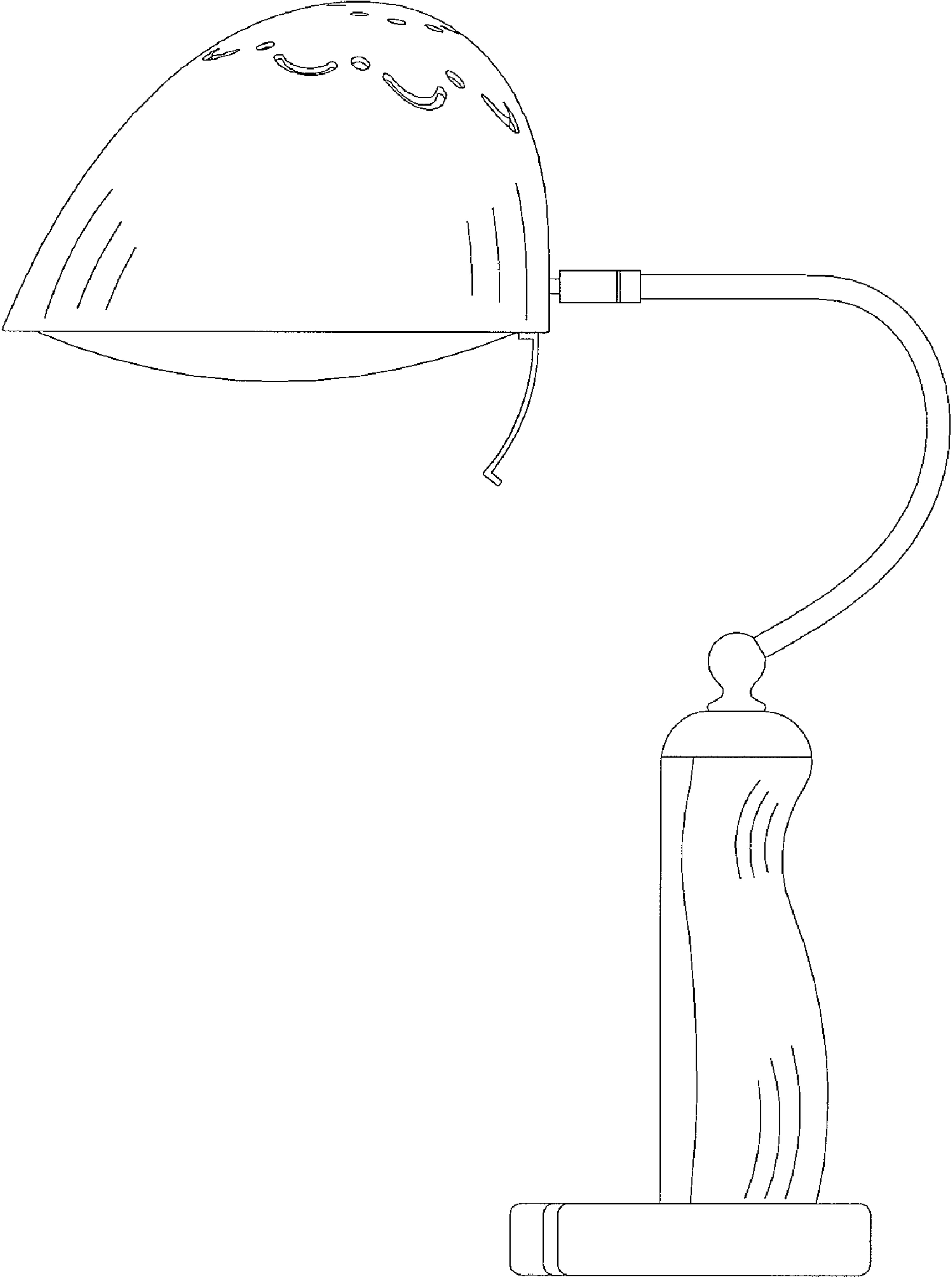


FIG. 5

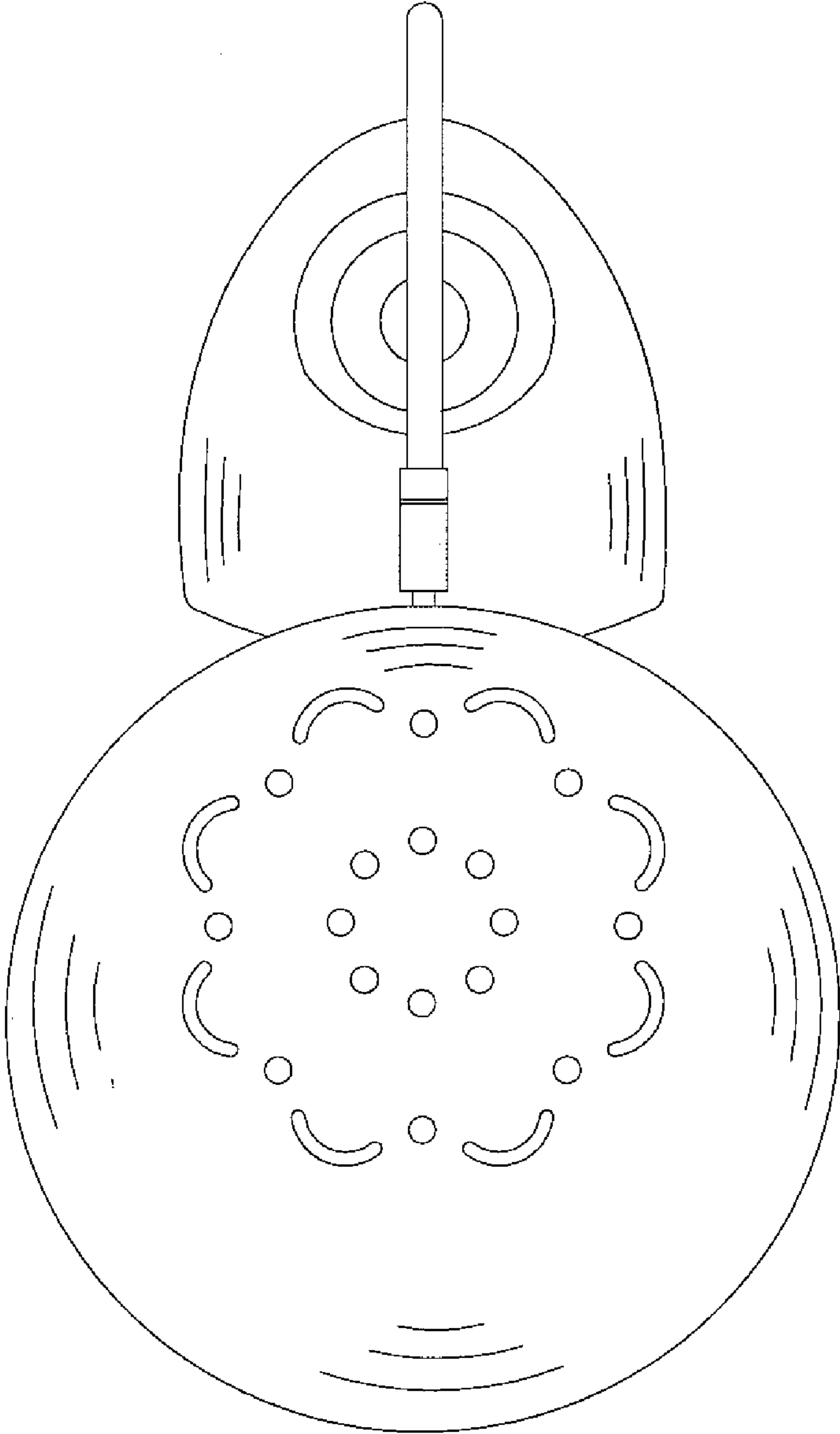


FIG. 6

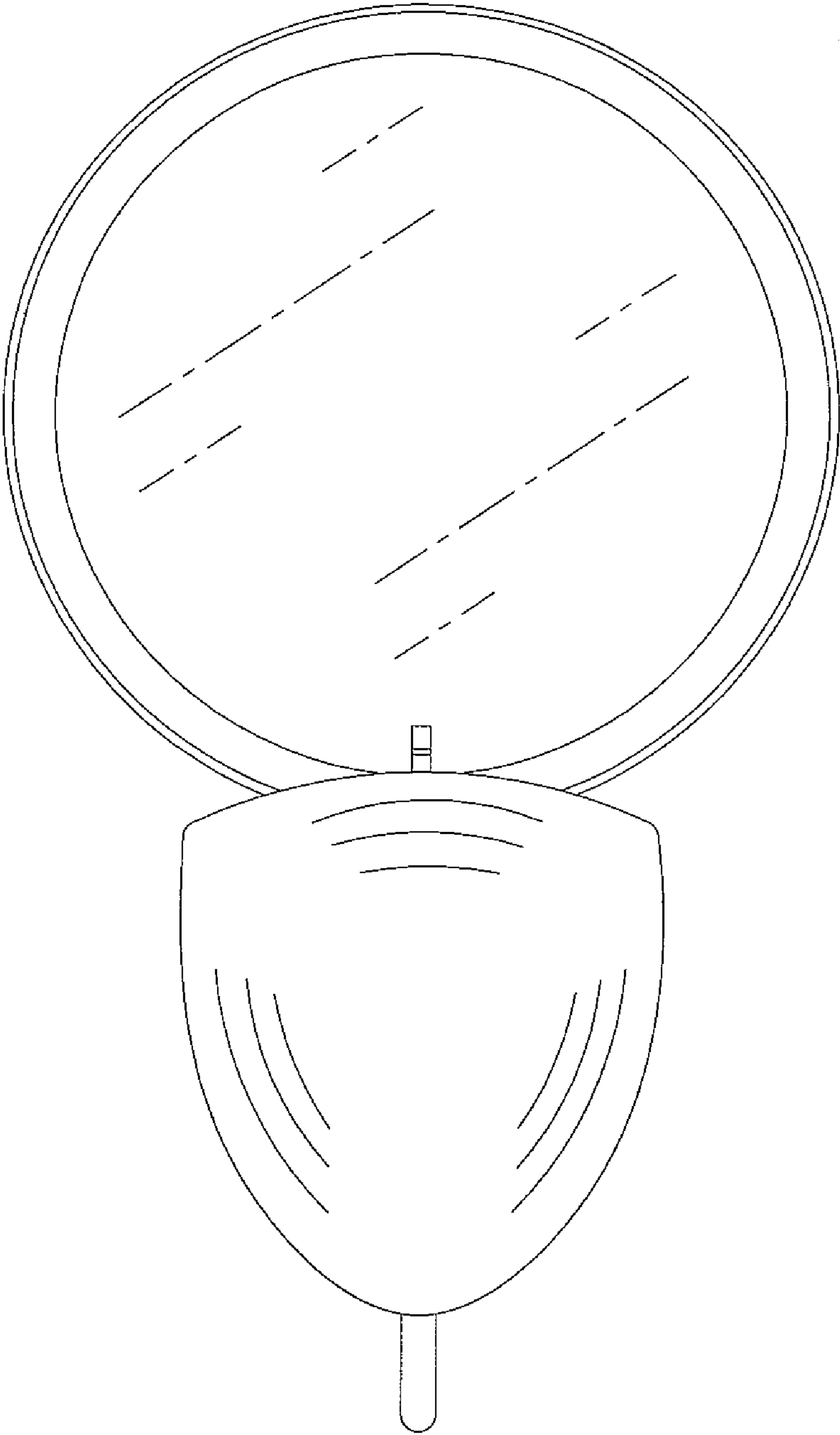


FIG. 7