



US00D617022S

(12) **United States Design Patent**
Kung

(10) **Patent No.:** **US D617,022 S**

(45) **Date of Patent:** **** Jun. 1, 2010**

(54) **FLASHLIGHT COMPONENT**

(75) Inventor: **Kenneth Kung**, Hong Kong (CN)

(73) Assignee: **Dorcy International, Inc.**, Columbus, OH (US)

(**) Term: **14 Years**

(21) Appl. No.: **29/312,846**

(22) Filed: **Nov. 17, 2008**

(51) **LOC (9) Cl.** **26-02**

(52) **U.S. Cl.** **D26/37**

(58) **Field of Classification Search** D26/37,
D26/46, 38, 48, 49, 50; 362/157, 158, 183,
362/184, 192, 193, 194-208

See application file for complete search history.

(56) **References Cited**

U.S. PATENT DOCUMENTS

D169,393 S	4/1953	Rockmore	
D223,967 S	6/1972	Petrucelli	
D336,966 S	6/1993	Yau	
D344,811 S	3/1994	Garrity	
D363,564 S	10/1995	Kish et al.	
D408,090 S	4/1999	Monteleone et al.	
D422,733 S	4/2000	Kung	
D433,171 S	10/2000	Petterson et al.	
D435,922 S	1/2001	Shing	
D439,690 S	3/2001	Parker	
D468,850 S *	1/2003	Sharrah et al. D26/37
D554,786 S	11/2007	Rugendyke et al.	

D560,294 S *	1/2008	Parsons et al. D26/37
D560,295 S *	1/2008	Parsons et al. D26/37
D560,297 S	1/2008	Brown et al.	
D576,756 S	9/2008	DeBrunner	
D586,488 S *	2/2009	Kung D26/49
D598,151 S *	8/2009	McGraw D26/49
D599,047 S *	8/2009	Kung D26/49
D604,878 S *	11/2009	Kung D26/49

* cited by examiner

Primary Examiner—Ian Simmons

Assistant Examiner—Carissa C Fitts

(74) *Attorney, Agent, or Firm*—Kilpatrick Stockton LLP

(57) **CLAIM**

The ornamental design for a flashlight, as shown and described.

DESCRIPTION

FIG. 1 is a perspective view of a flashlight, showing my new design.

FIG. 2 is a front elevation view thereof.

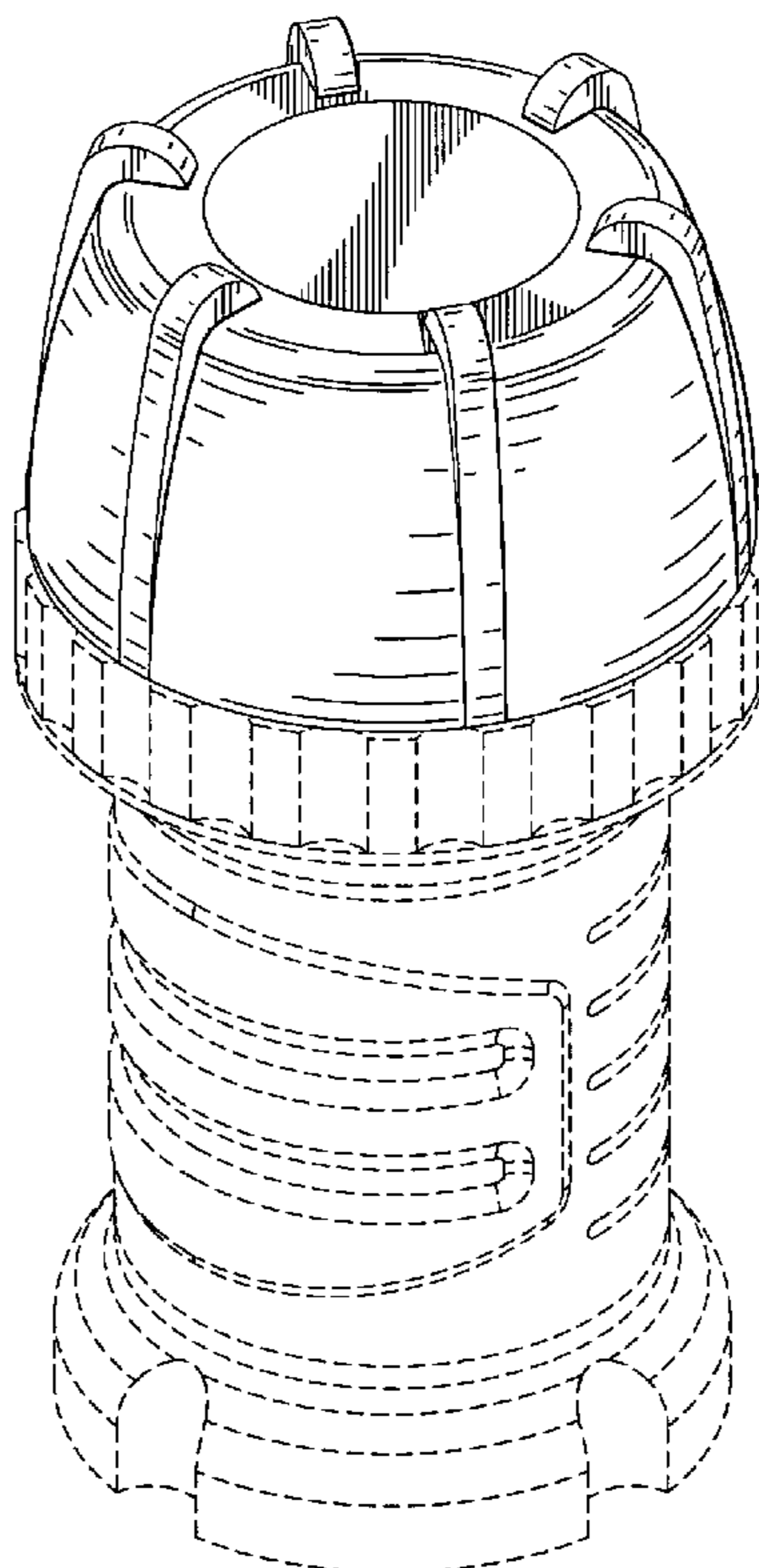
FIG. 3 is a right side elevation view thereof, the left side elevation view being a mirror image of the right side elevation view.

FIG. 4 is a rear elevation view thereof; and,

FIG. 5 is a top plan view thereof.

The broken lines are intended to show environmental structure only and form no part of the claimed design.

1 Claim, 5 Drawing Sheets



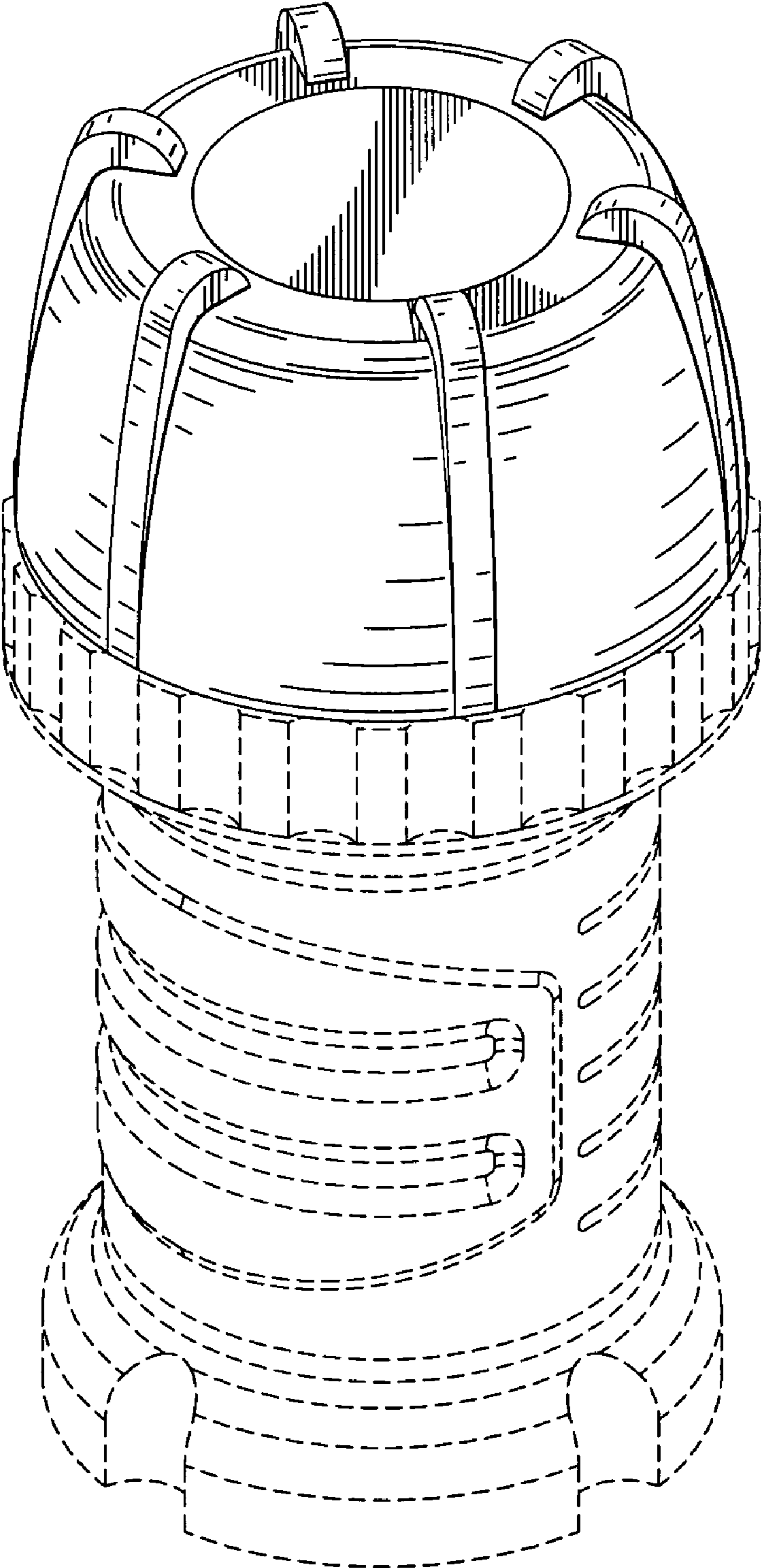


FIG. 1

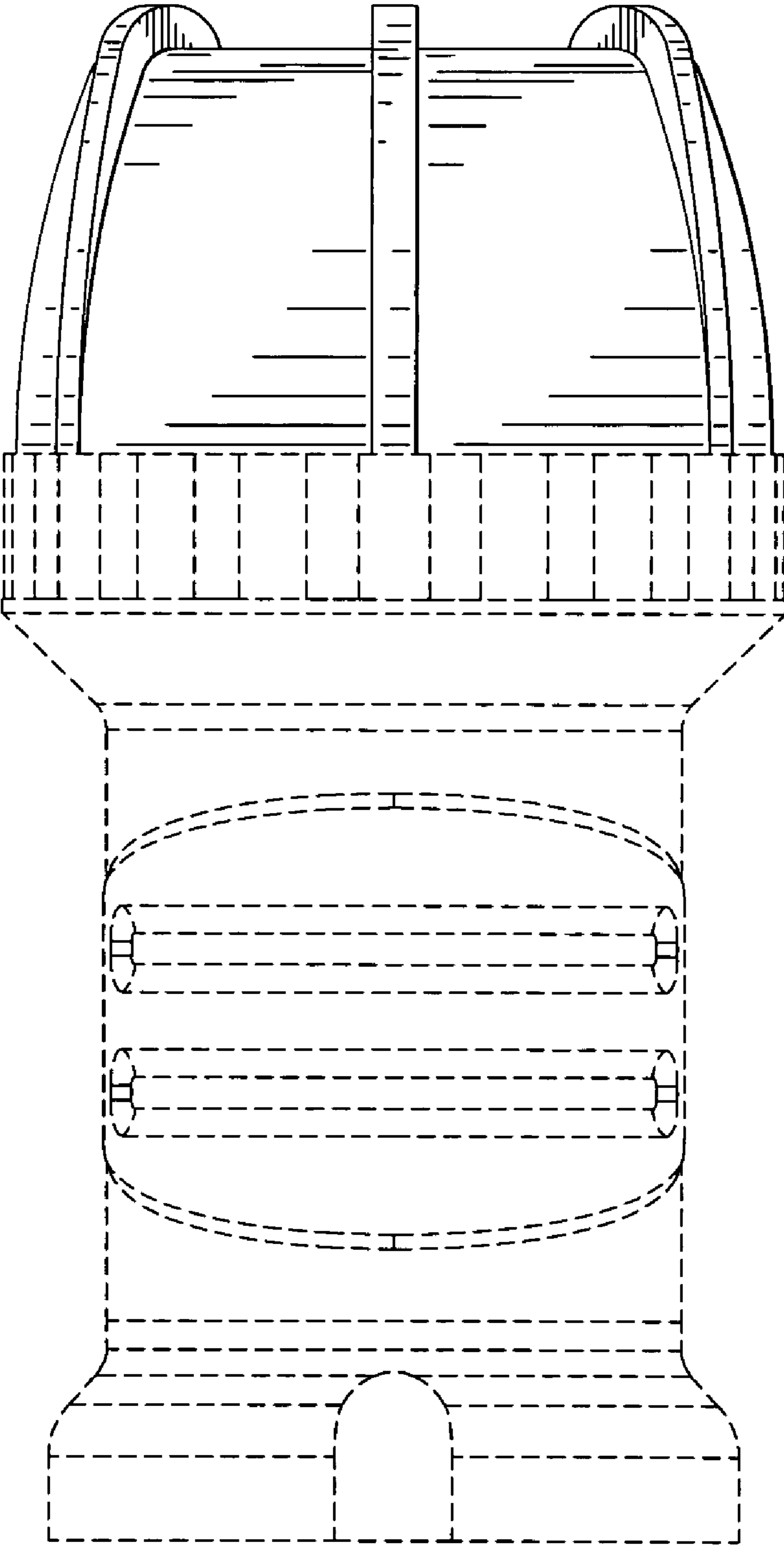


FIG. 2

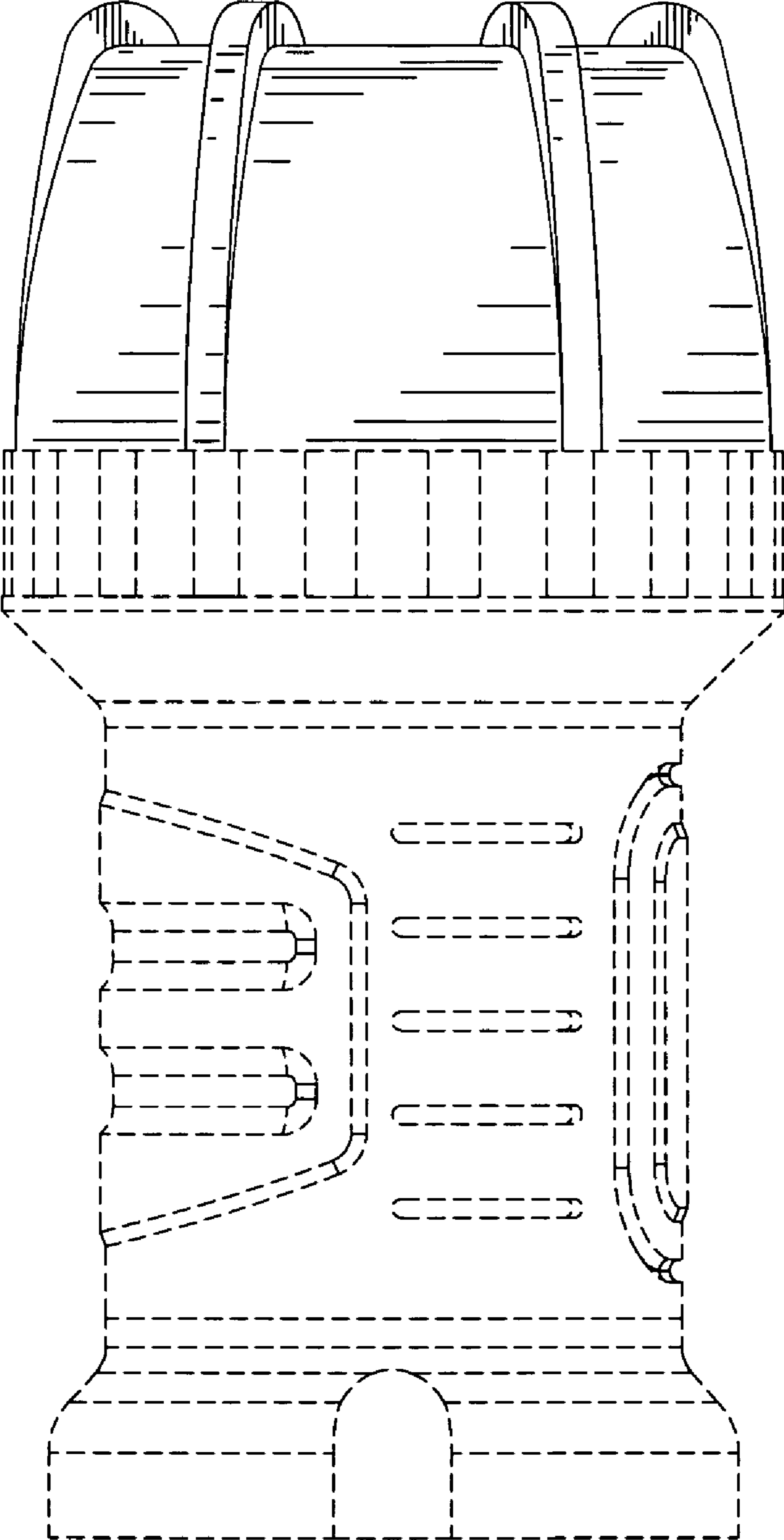


FIG. 3

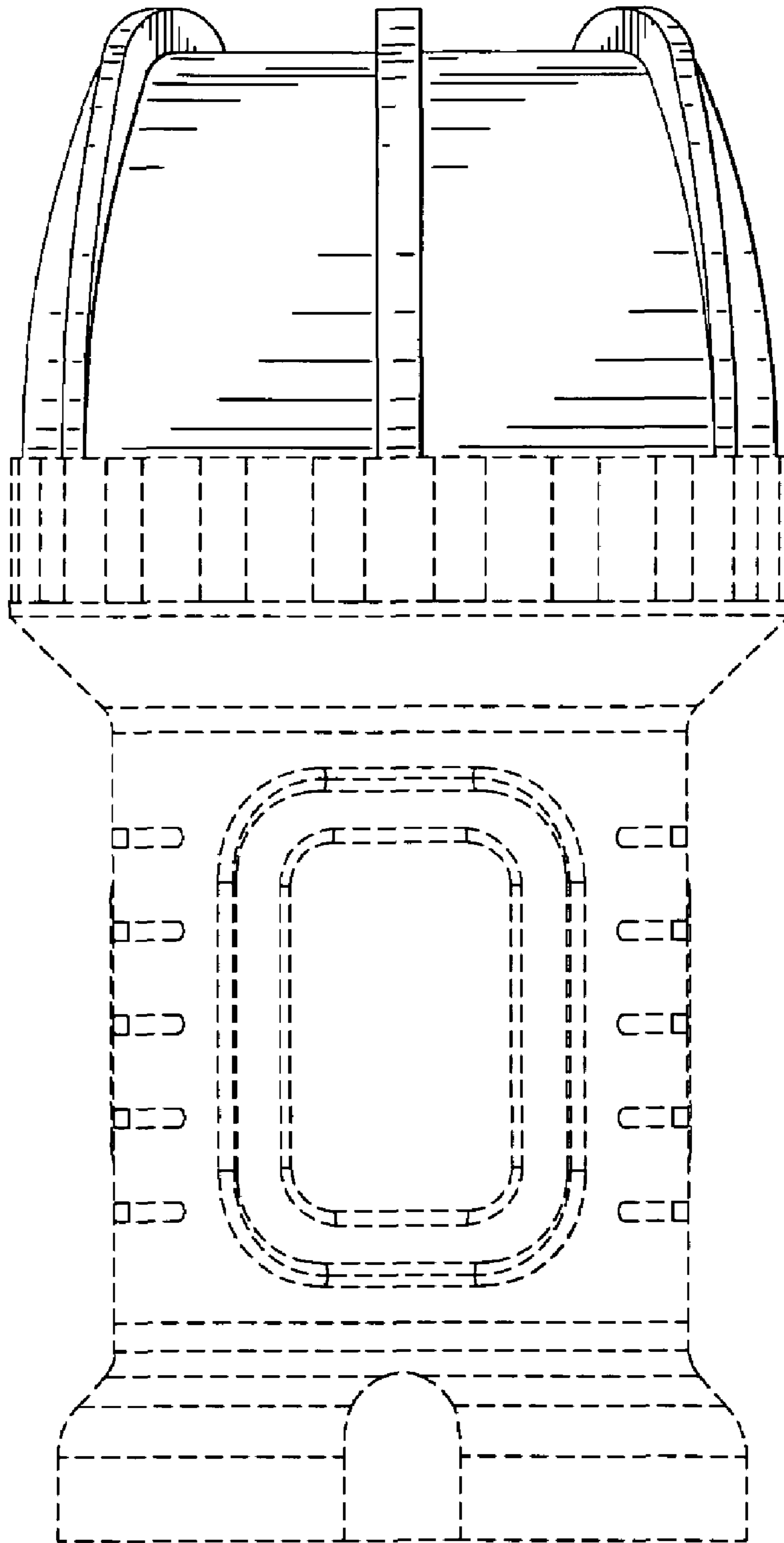


FIG. 4

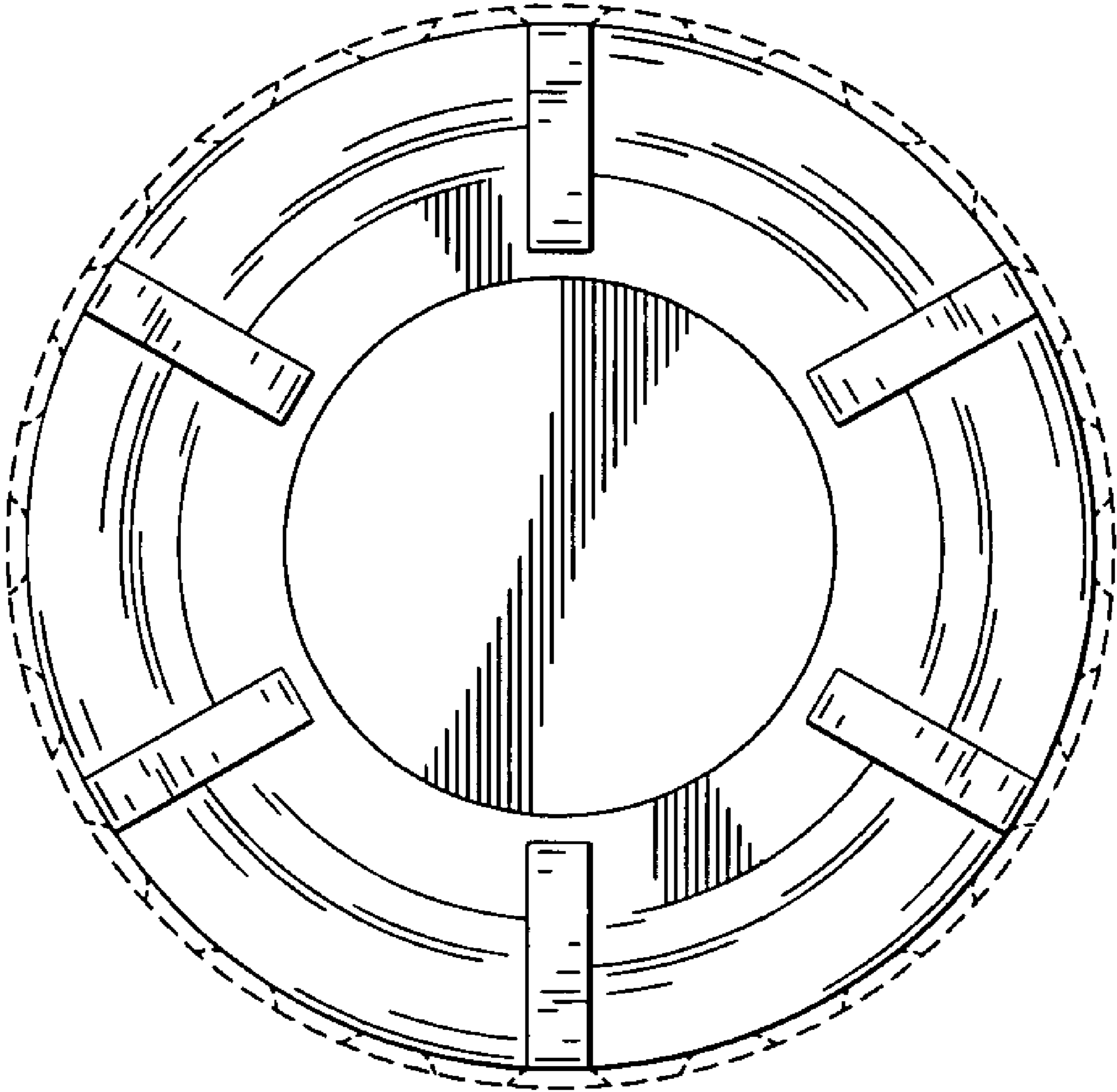


FIG. 5