



US00D617020S

(12) **United States Design Patent**
Ishiguri et al.

(10) **Patent No.:** **US D617,020 S**
(45) **Date of Patent:** **** Jun. 1, 2010**

(54) **FRONT COMBINATION LAMP FOR MOTOR SCOOTER**

(75) Inventors: **Yoshiyuki Ishiguri**, Saitama-ken (JP);
Siwathat Mongkolsupya, Bangkok (TH)

(73) Assignee: **Honda Motor Co., Ltd.**, Tokyo (JP)

(**) Term: **14 Years**

(21) Appl. No.: **29/343,681**

(22) Filed: **Sep. 17, 2009**

(30) **Foreign Application Priority Data**

Mar. 17, 2009 (JP) 2009-005988

(51) **LOC (9) Cl.** **26-06**

(52) **U.S. Cl.** **D26/28**

(58) **Field of Classification Search** D26/28-36;
362/459-468, 475-478, 485-487
See application file for complete search history.

(56) **References Cited**

U.S. PATENT DOCUMENTS

- D552,274 S * 10/2007 Tanaka et al. D26/28
- D568,501 S * 5/2008 Nakazawa et al. D26/28
- D569,015 S * 5/2008 Tsukui et al. D26/28
- D573,734 S * 7/2008 Watanabe et al. D26/28

* cited by examiner

Primary Examiner—Marcus A Jackson

(74) *Attorney, Agent, or Firm*—Westerman, Hattori, Daniels & Adrian, LLP

(57) **CLAIM**

The ornamental design for a front combination lamp for motor scooter, as shown and described.

DESCRIPTION

FIG. 1 is a perspective view from the front side of a front combination lamp for a motor scooter.

FIG. 2 is a perspective view from the rear side thereof.

FIG. 3 is a perspective view from the front side thereof.

FIG. 4 is a perspective view from the rear side thereof.

FIG. 5 is a front elevation view thereof.

FIG. 6 is a rear elevation view thereof.

FIG. 7 is a left side elevation view thereof.

FIG. 8 is a right side elevation view thereof.

FIG. 9 is a top plan view thereof; and,

FIG. 10 is a bottom plan view thereof.

The portion of the article shown in broken lines is for the purpose of showing environmental structure only and forms no part of the claimed design.

1 Claim, 10 Drawing Sheets

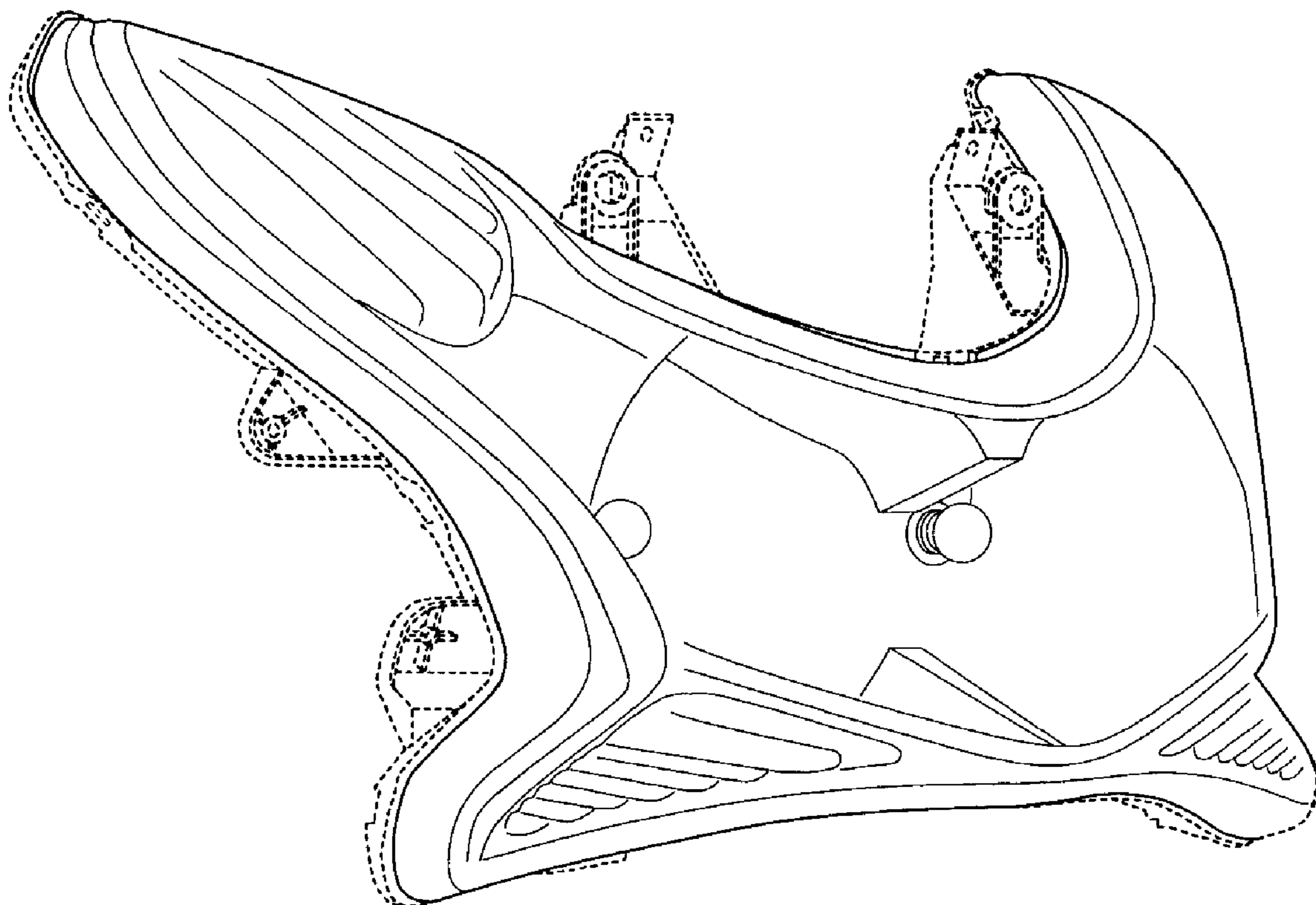


FIG. 1

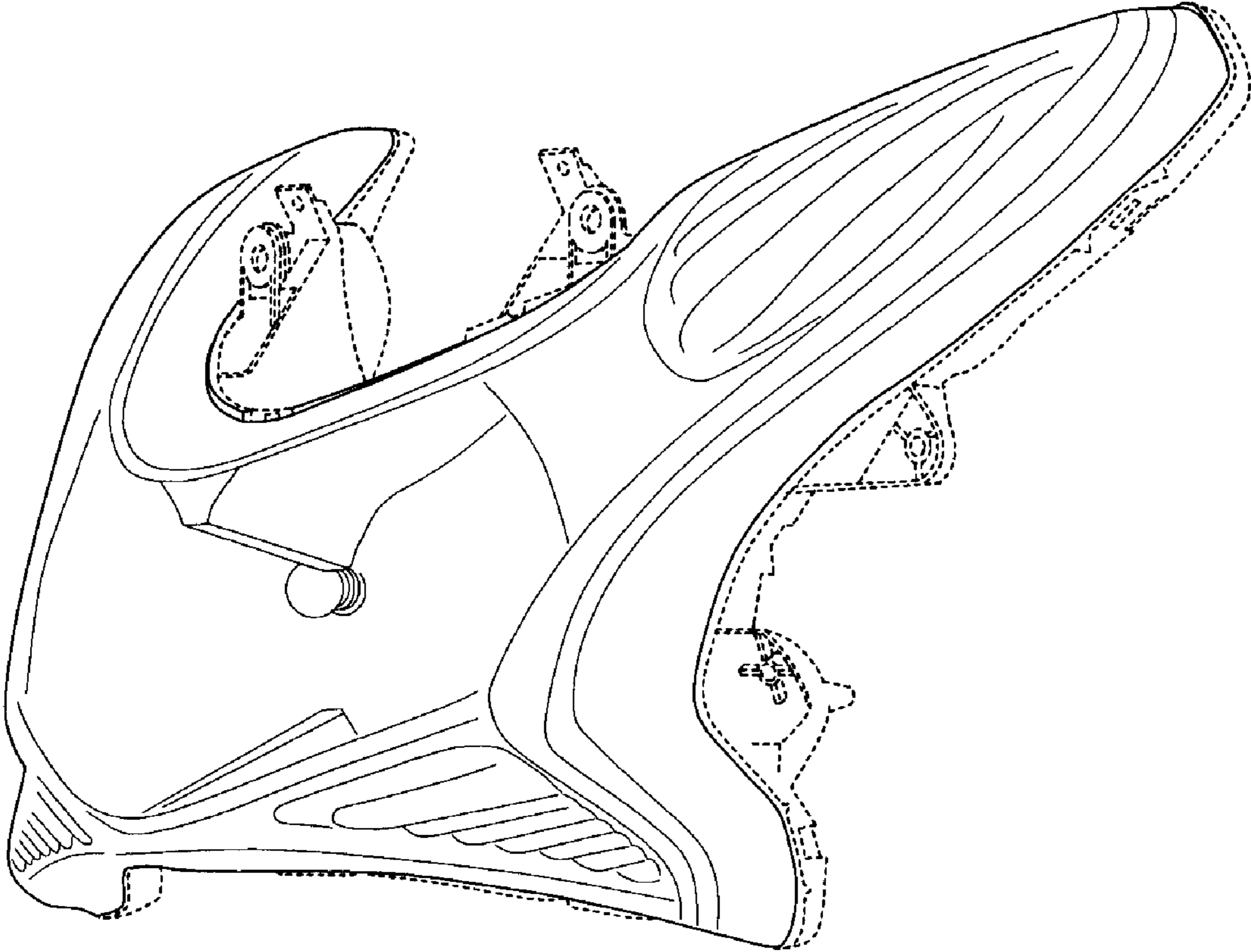


FIG. 2

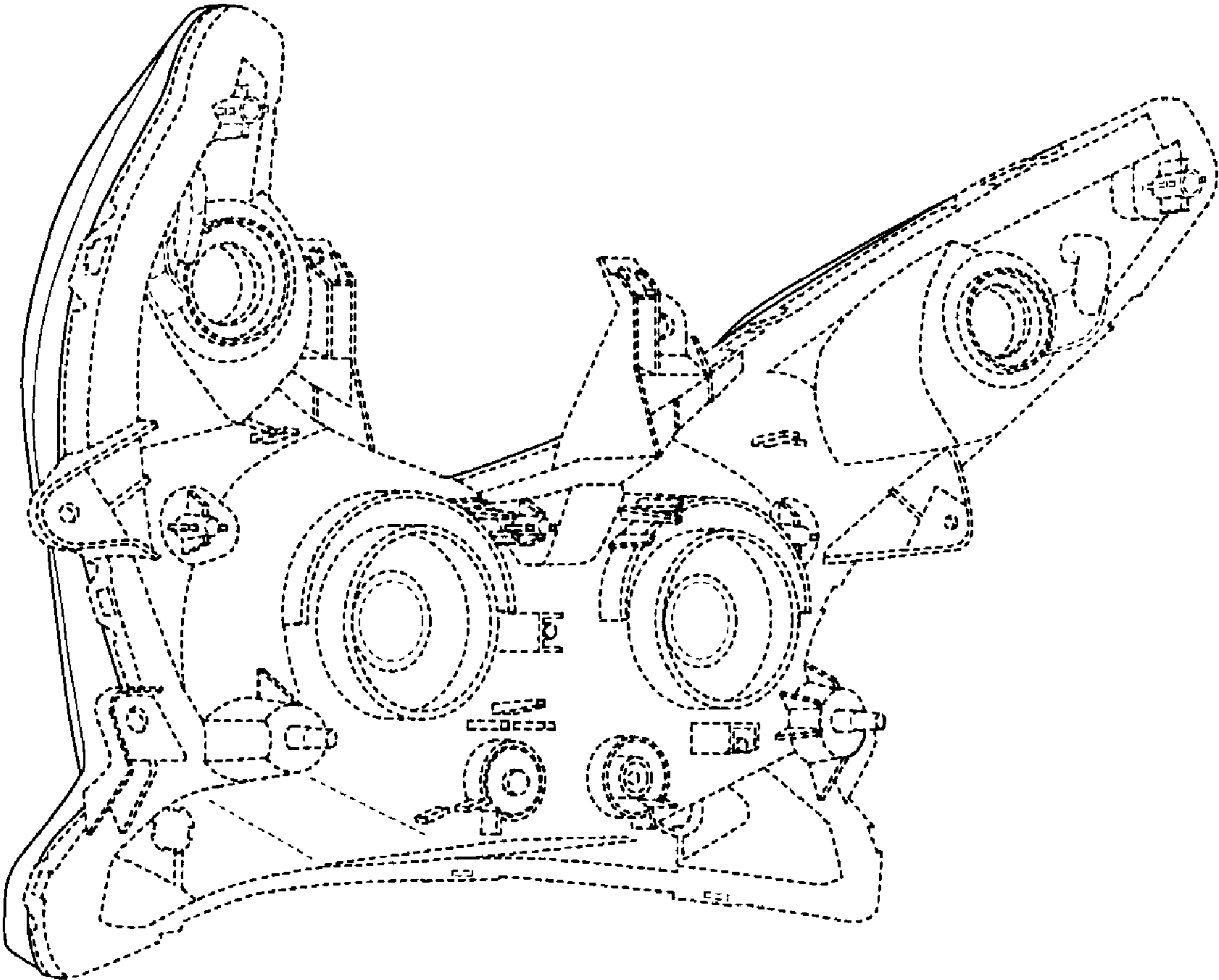


FIG. 3

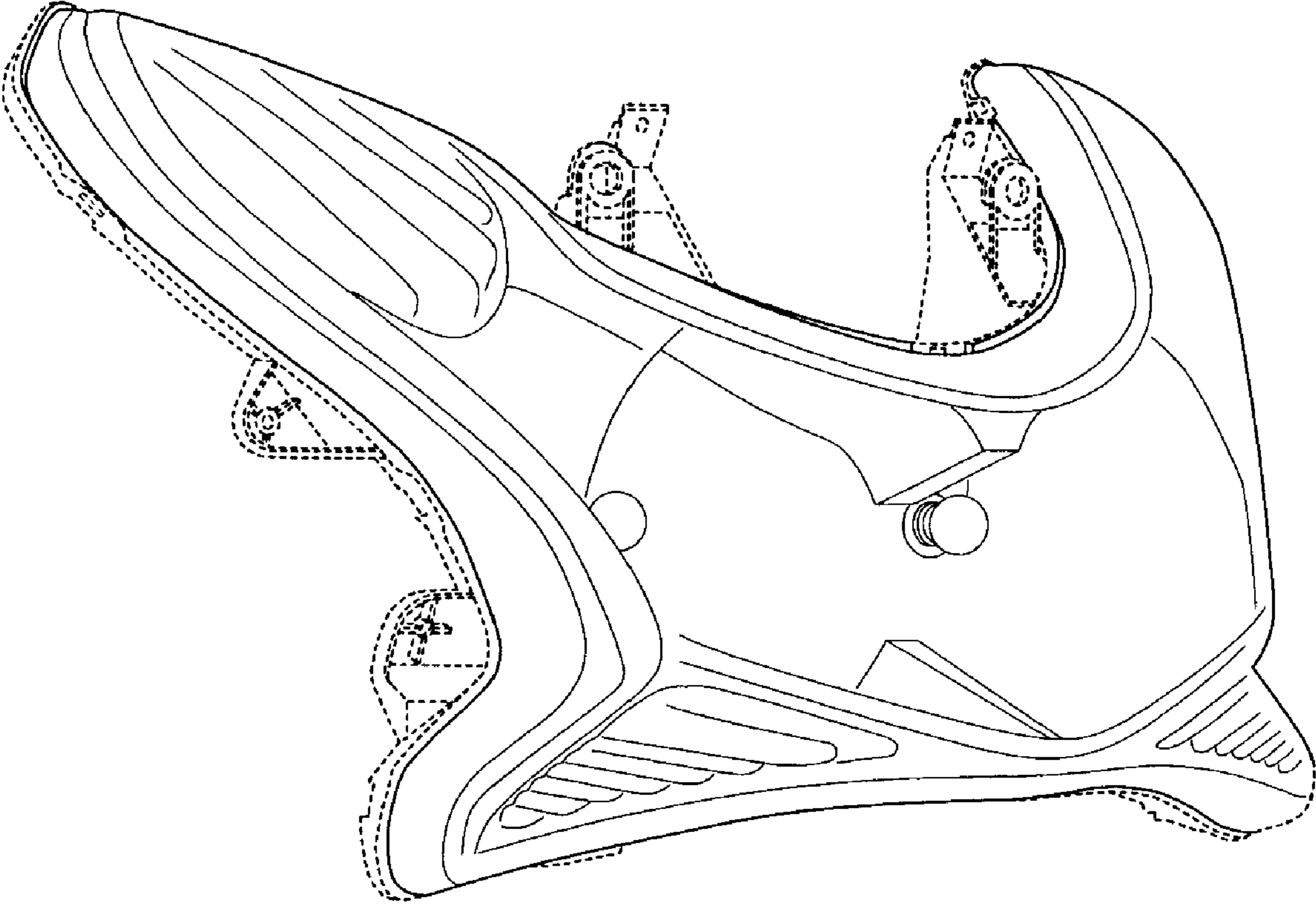


FIG. 4

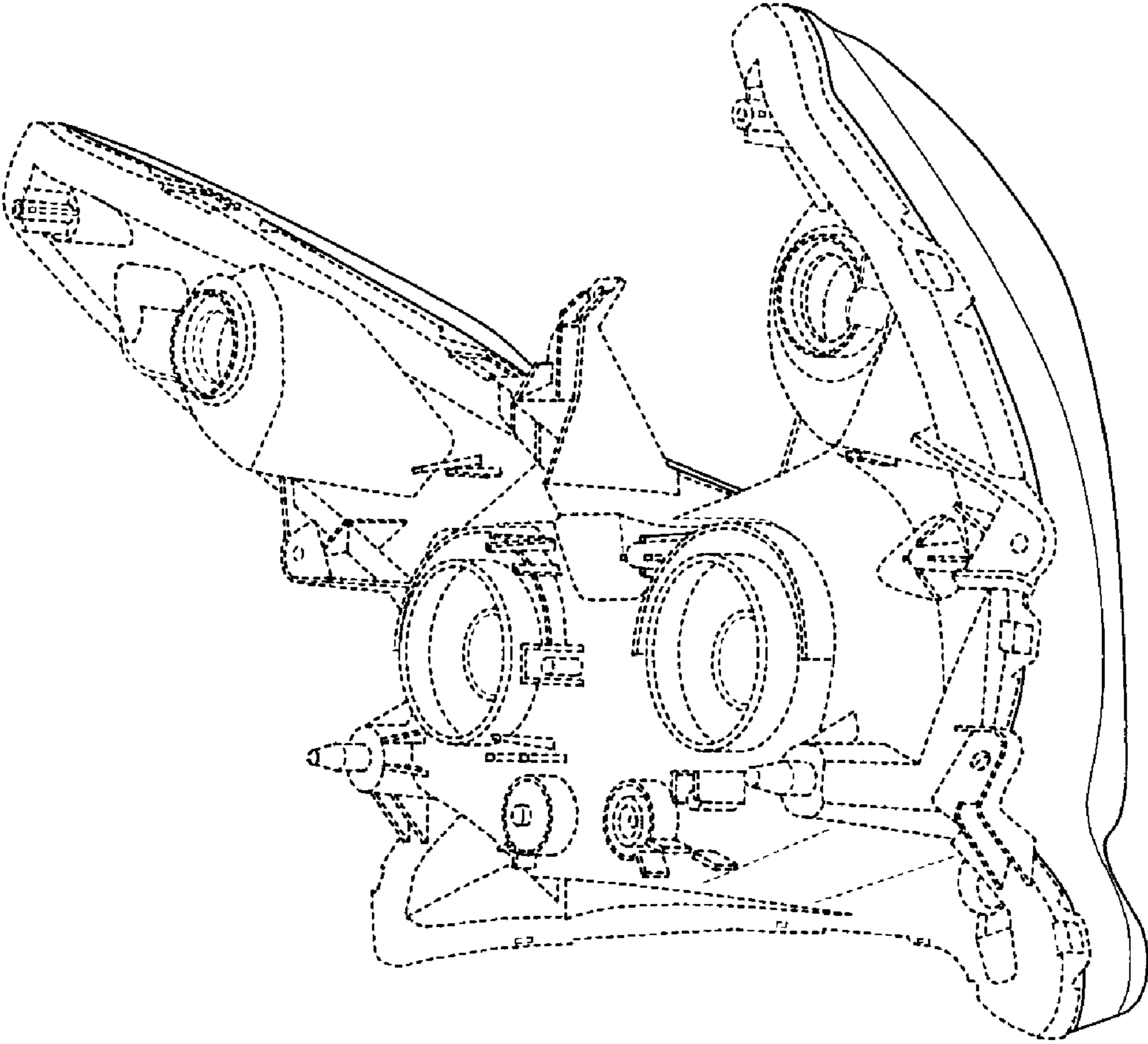


FIG. 5

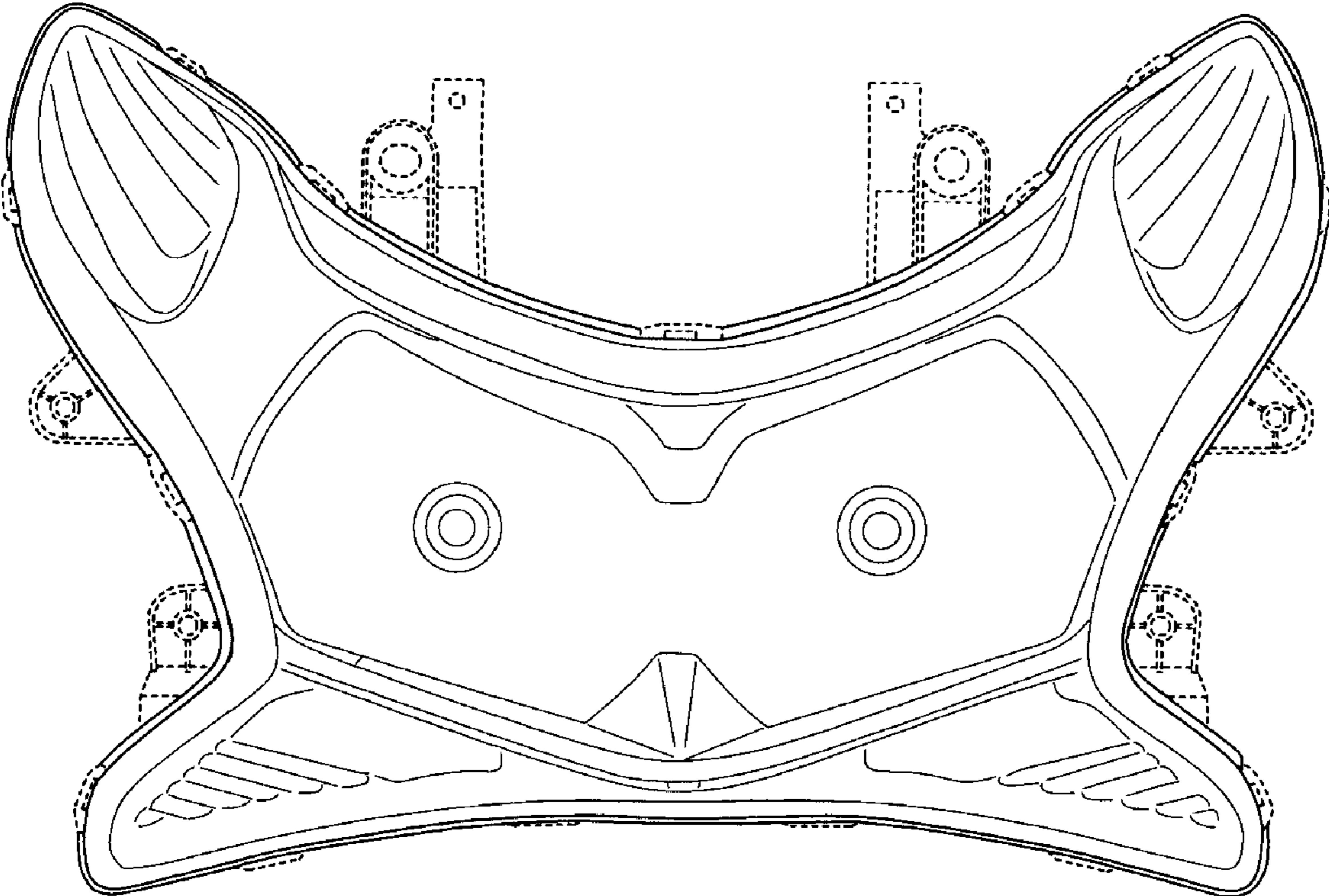


FIG. 6

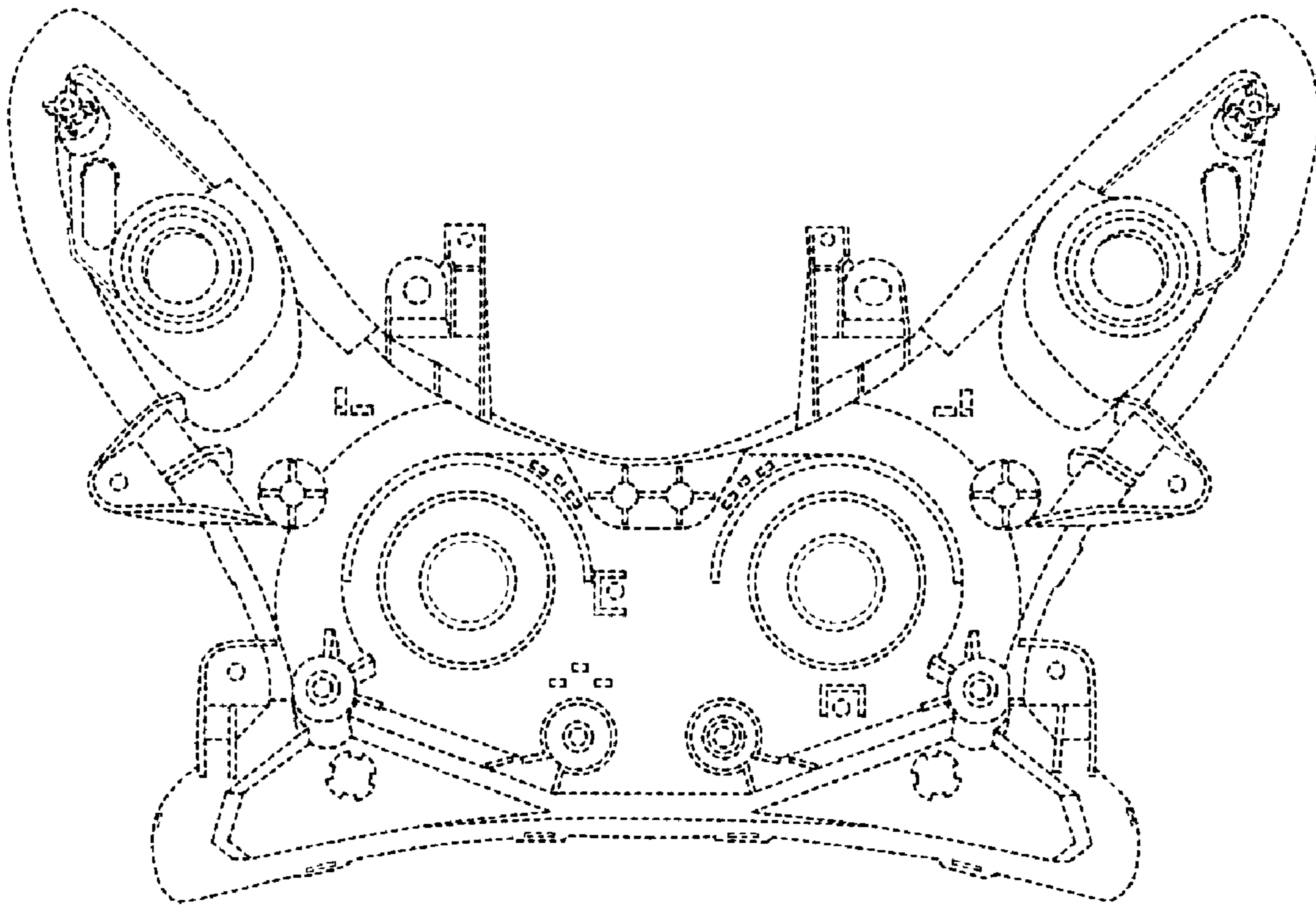


FIG. 7

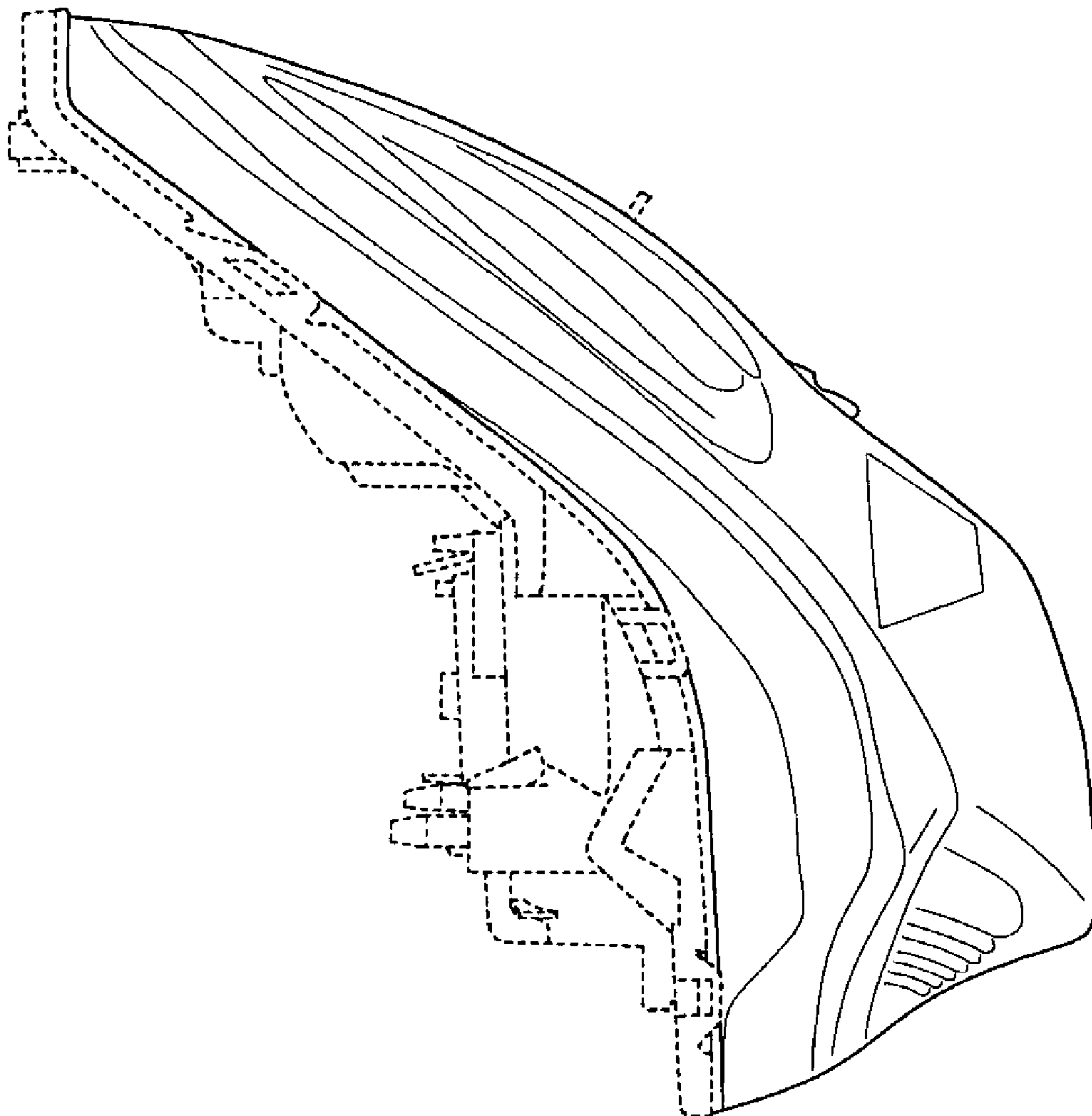


FIG. 8

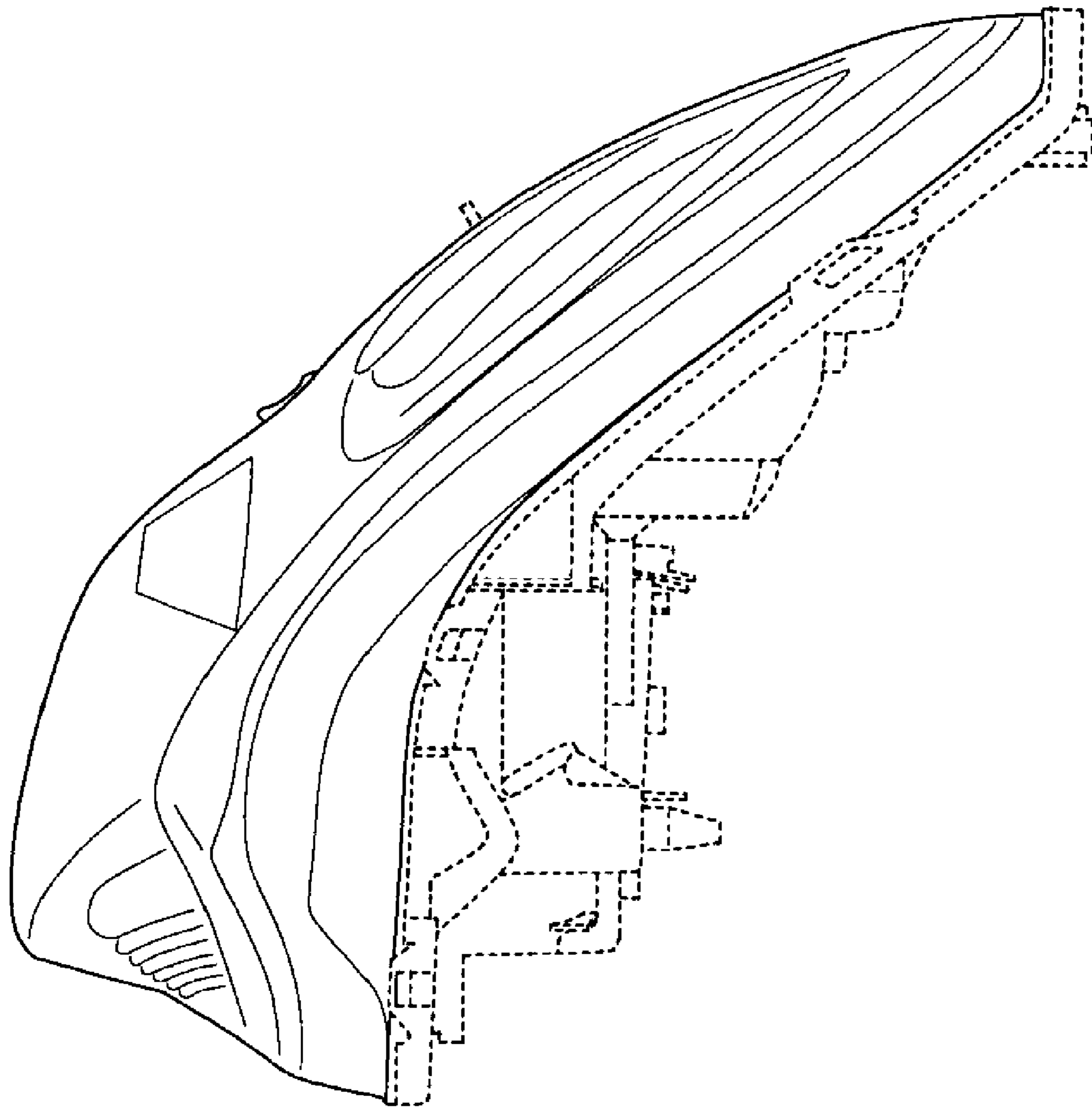


FIG. 9

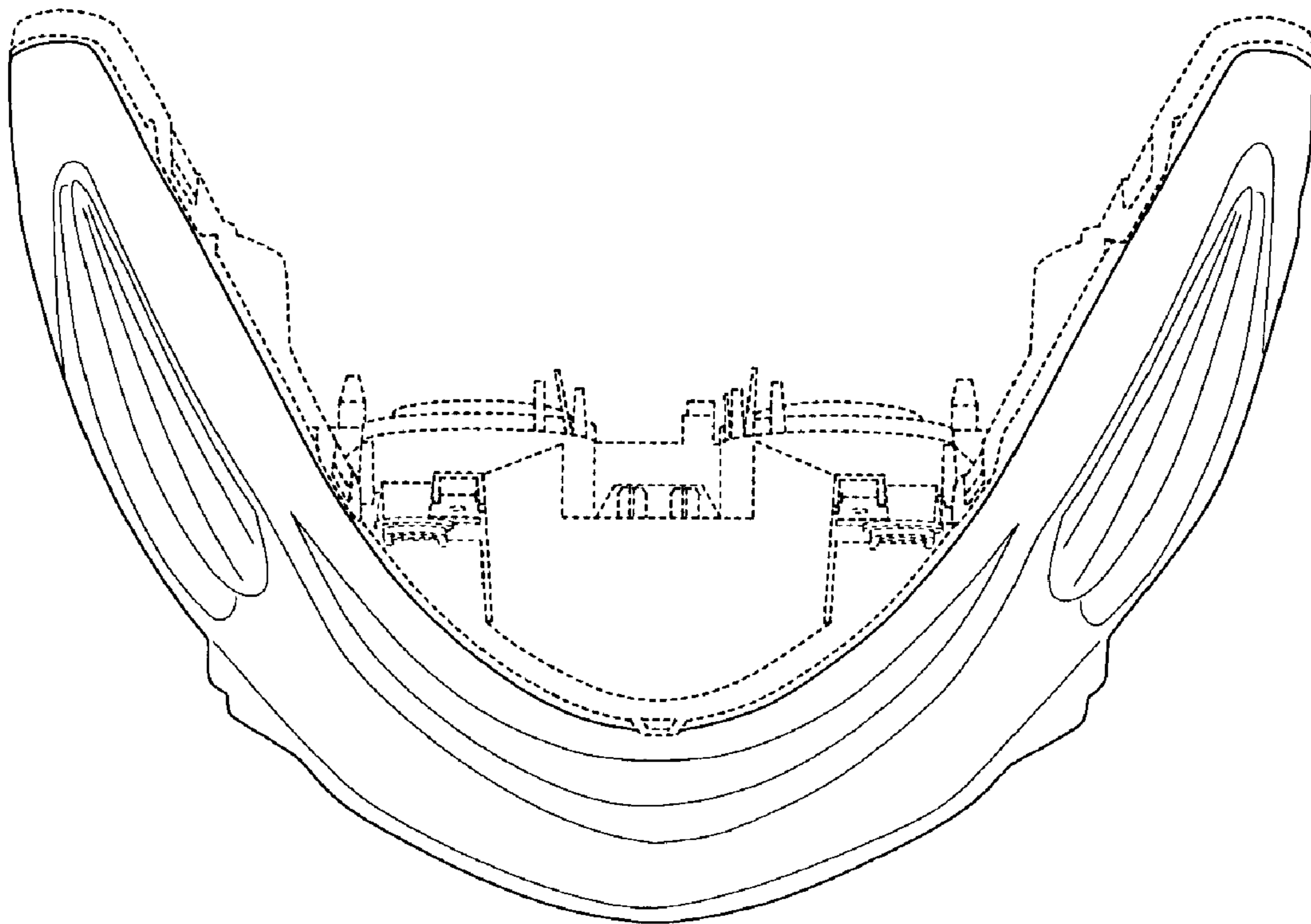


FIG. 10

