



US00D617019S

(12) **United States Design Patent**
Takei

(10) **Patent No.:** **US D617,019 S**
(45) **Date of Patent:** **** Jun. 1, 2010**

(54) **FRONT COMBINATION LAMP FOR AN
AUTOMOBILE**

(75) Inventor: **Tatsuya Takei**, Toyota (JP)

(73) Assignee: **Toyota Jidosha Kabushiki Kaisha** (JP)

(**) Term: **14 Years**

(21) Appl. No.: **29/342,291**

(22) Filed: **Aug. 21, 2009**

(51) **LOC (9) Cl.** **26-06**

(52) **U.S. Cl.** **D26/28**

(58) **Field of Classification Search** D26/28-36;
362/459-468, 475-478, 485-487

See application file for complete search history.

(56) **References Cited**

U.S. PATENT DOCUMENTS

D556,349 S	*	11/2007	Golden et al.	D26/28
D560,291 S	*	1/2008	Koyama	D26/28
D561,358 S	*	2/2008	Tachibana	D26/28
D561,359 S	*	2/2008	Hsu	D26/28
D563,576 S	*	3/2008	Hanaoka	D26/28

OTHER PUBLICATIONS

Hirux Surf, Catalogue of Toyota Hirux Surf, Aug. 2006, Toyota Jidosha Kabushiki Kasha.

Legacy, Catalogue of Subaru Legacy, May 2008, Subaru.
X-Trail, Catalogue of X-Trail, Nov. 2006, Nissan.

* cited by examiner

Primary Examiner—Marcus A Jackson

(74) *Attorney, Agent, or Firm*—SAIDMAN DesignLaw Group

(57) **CLAIM**

The ornamental design for front combination lamp for an automobile, as shown and described.

DESCRIPTION

FIG. 1 is a front perspective view of a front combination lamp for an automobile showing my new design;

FIG. 2 is a front view thereof;

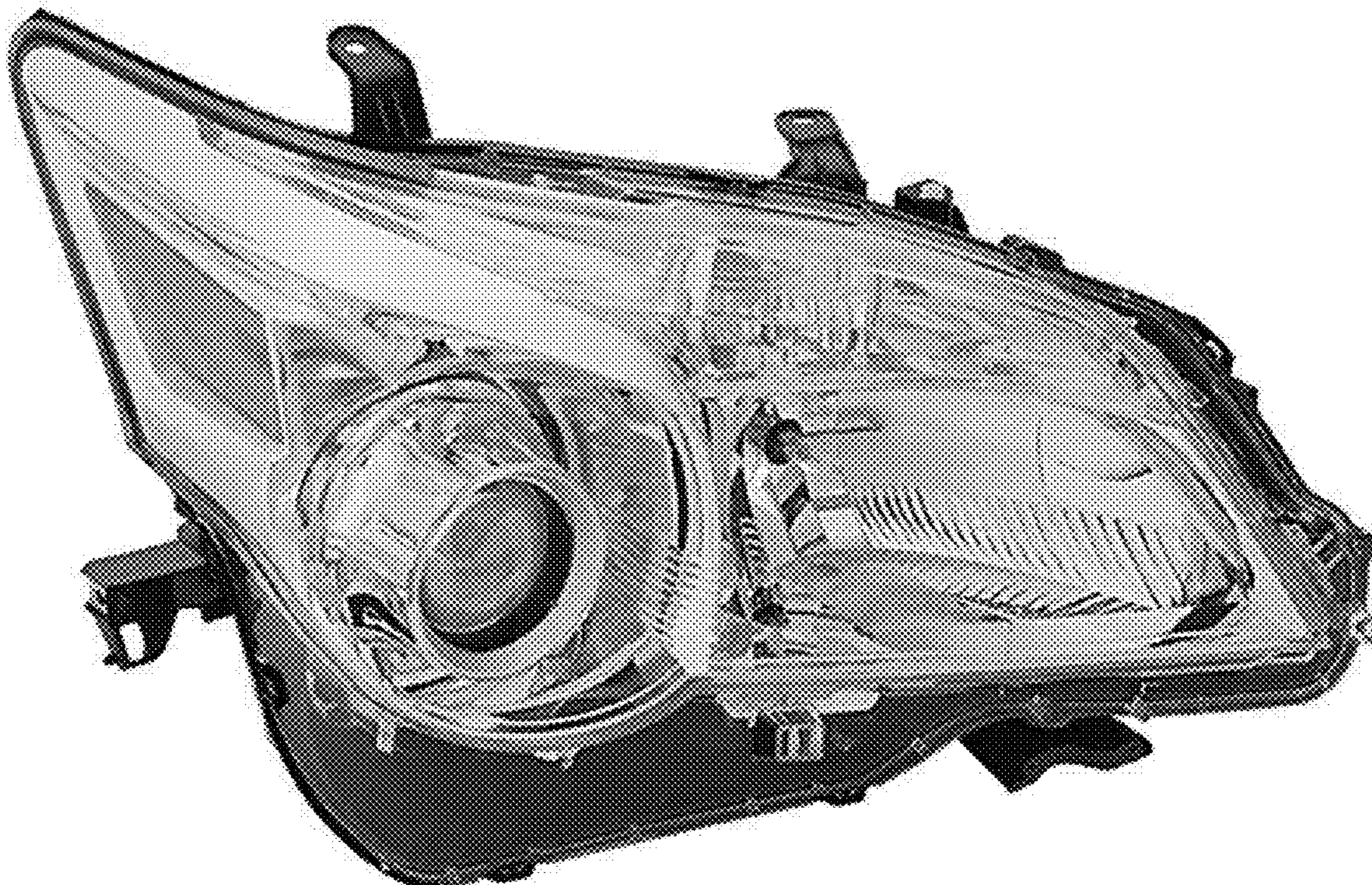
FIG. 3 is a left-side view thereof;

FIG. 4 is a right-side view thereof;

FIG. 5 is a top view thereof; and,

FIG. 6 is a bottom view thereof.

1 Claim, 1 Drawing Sheet



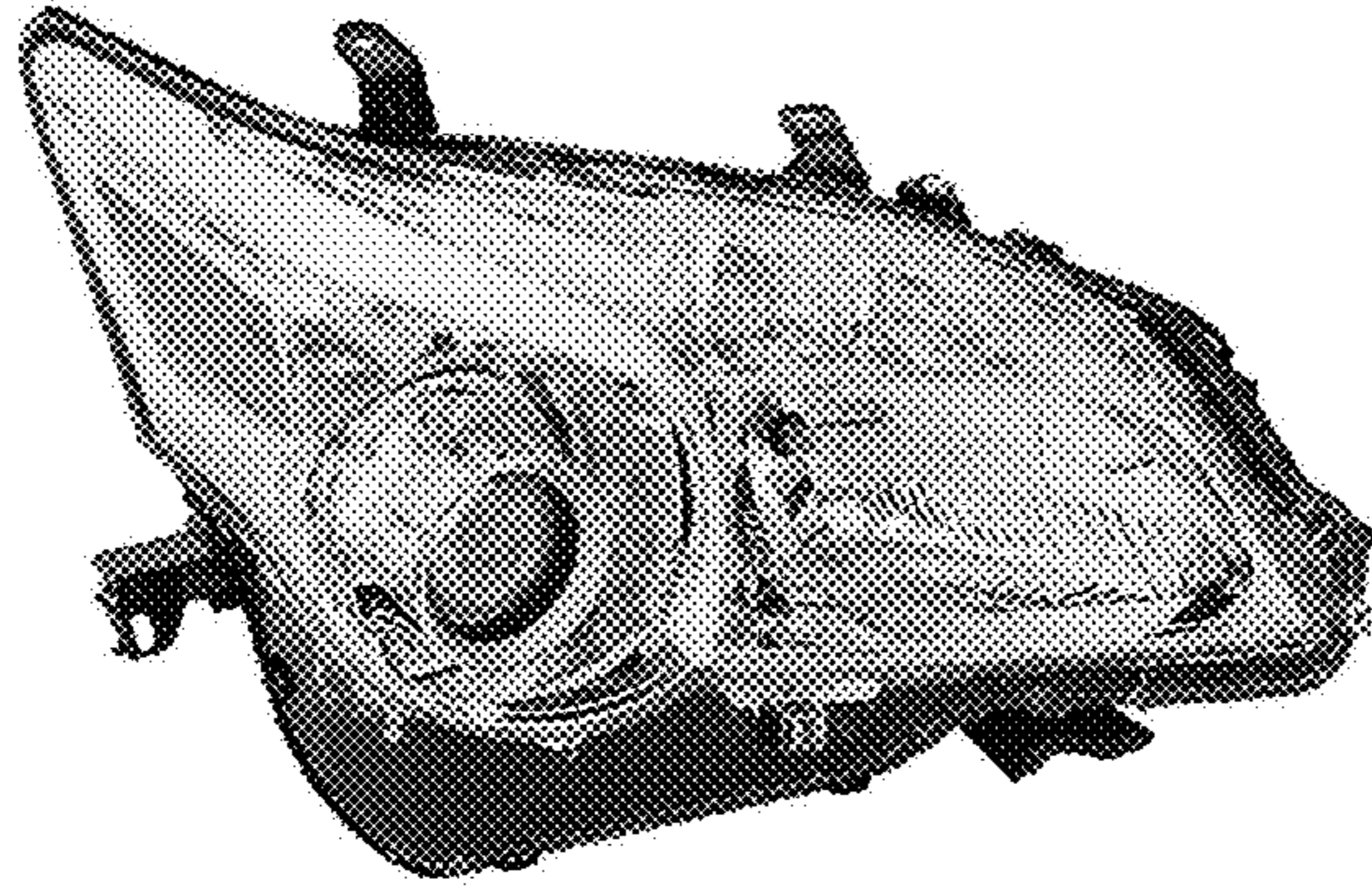


FIG. 1

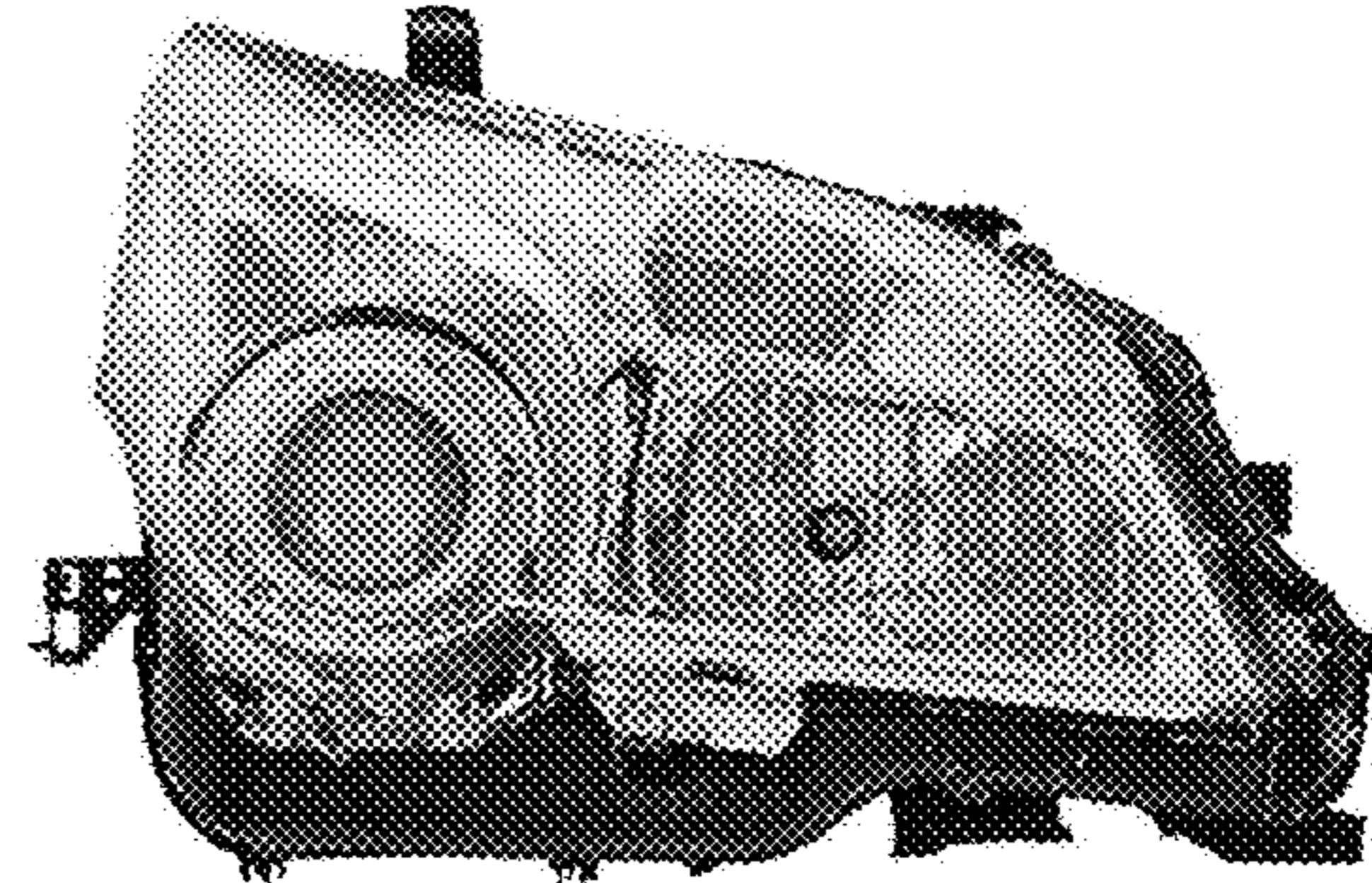


FIG. 2

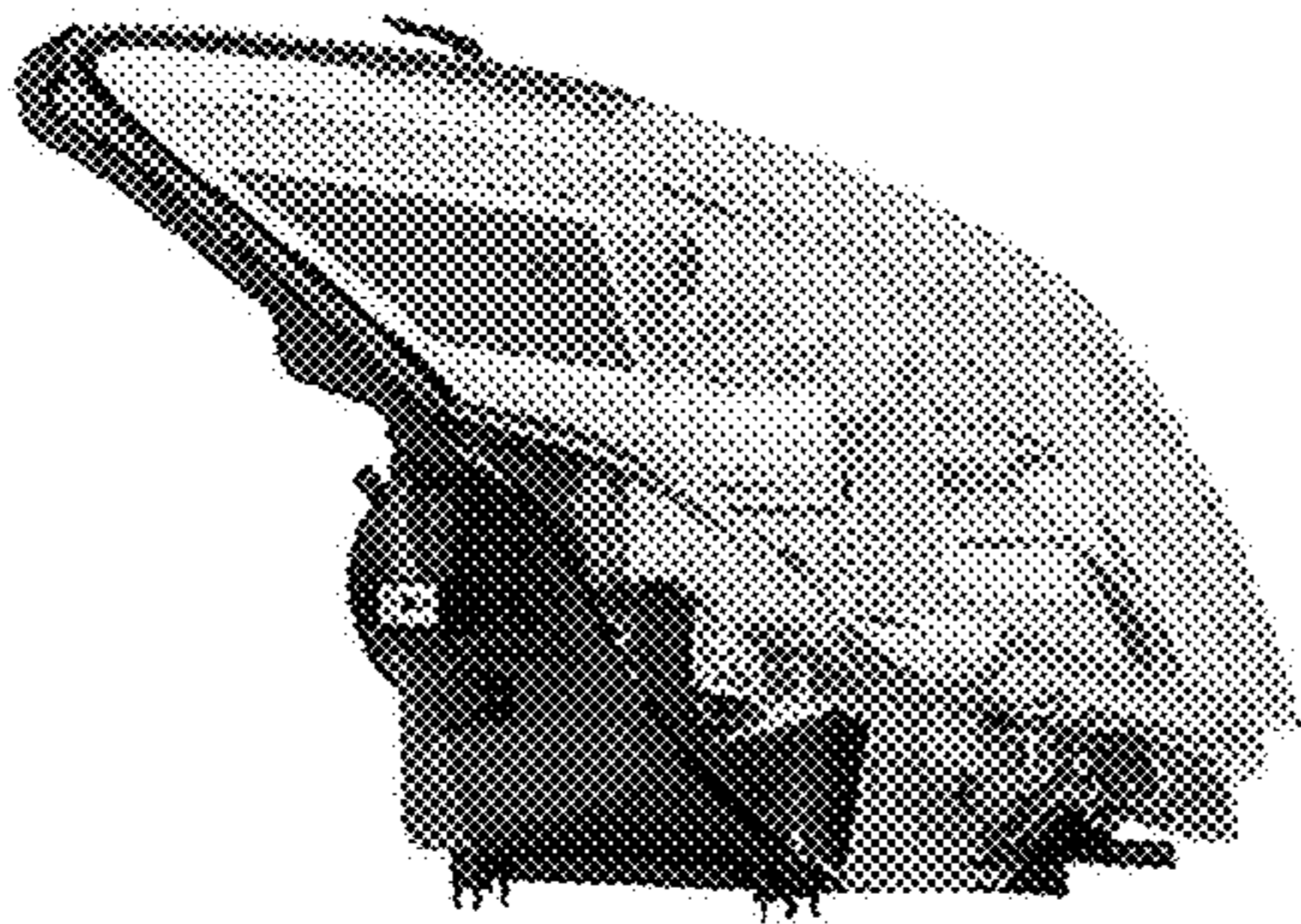


FIG. 3

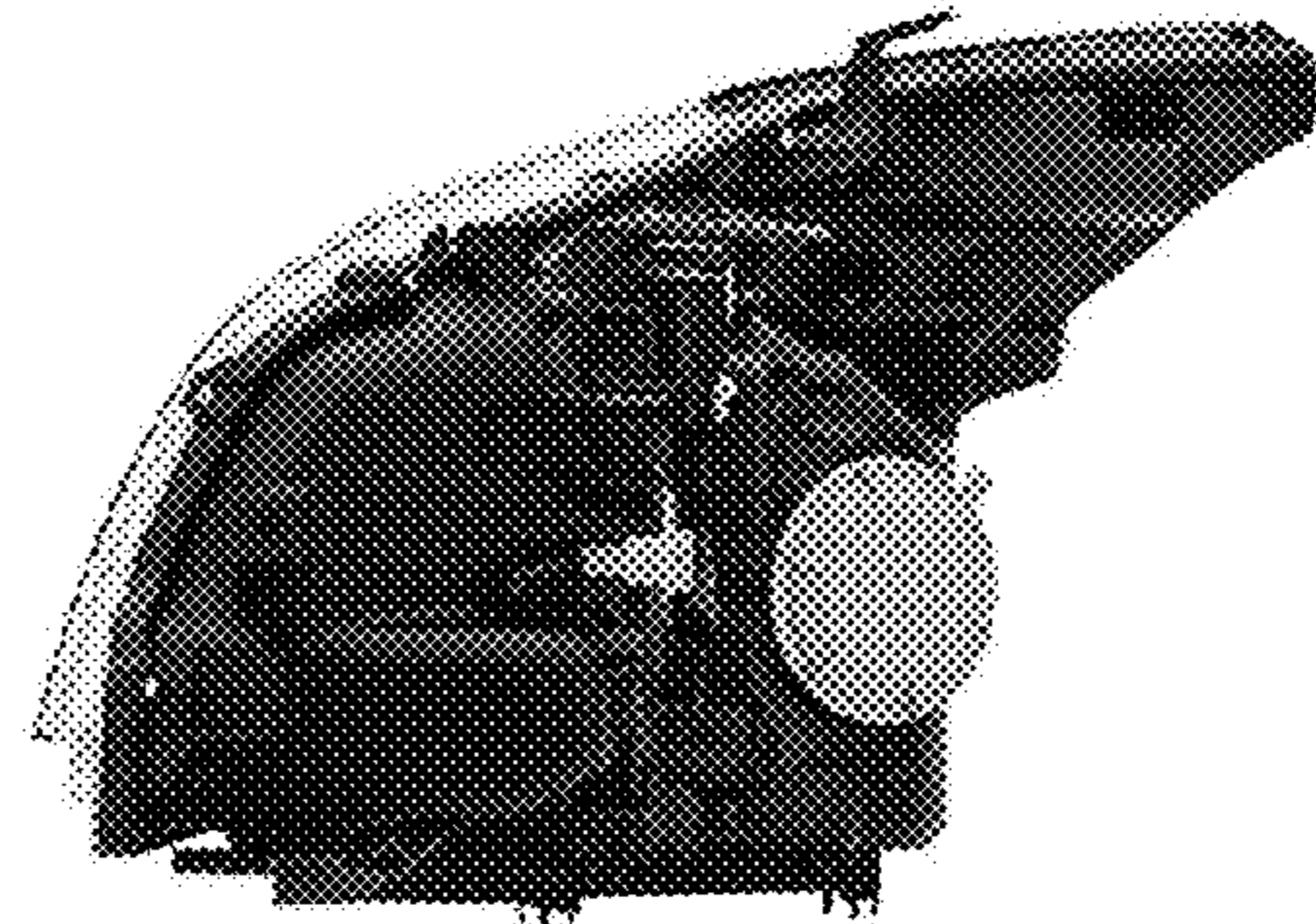


FIG. 4

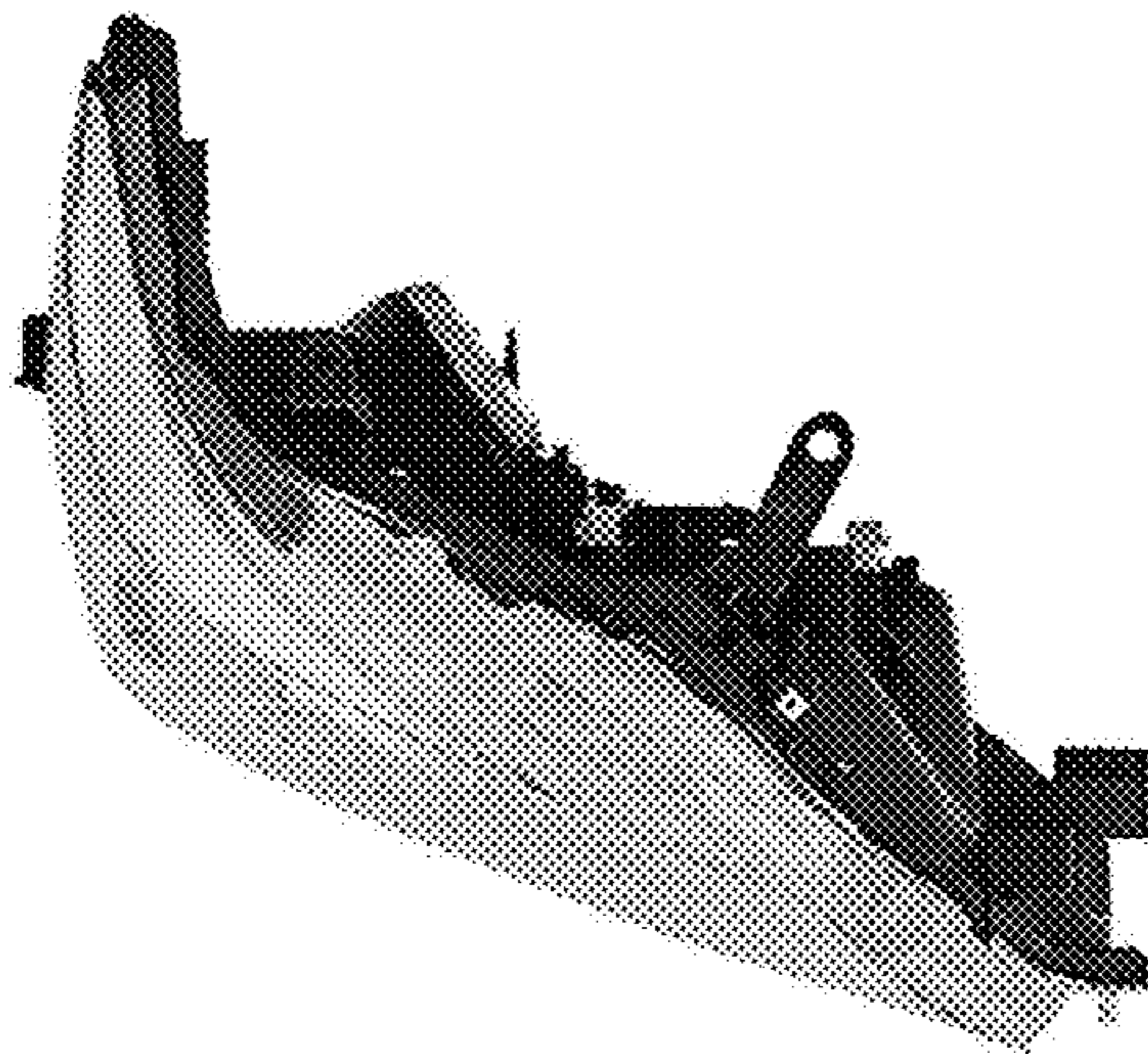


FIG. 5

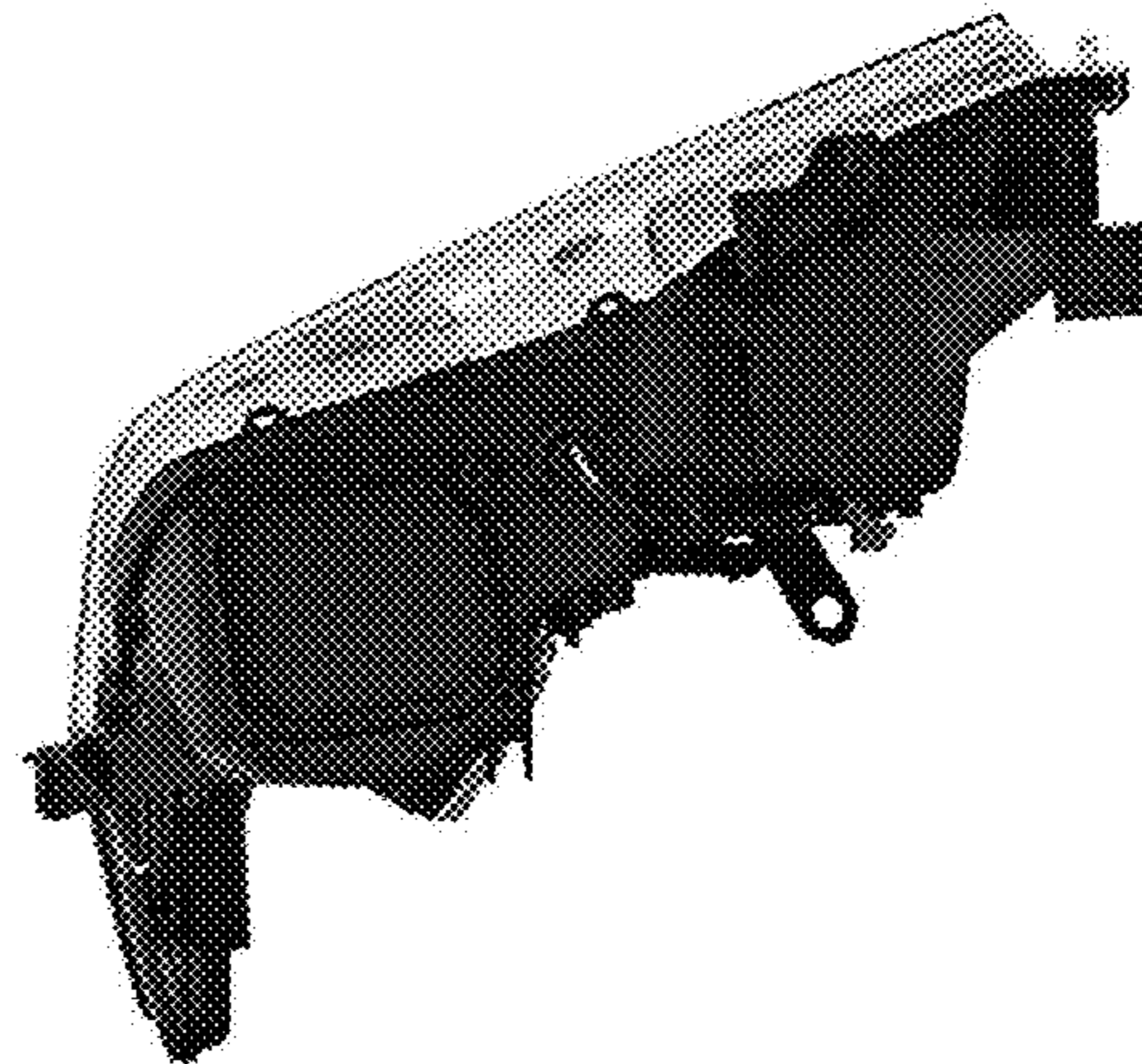


FIG. 6