



US00D617018S

(12) **United States Design Patent**
Schell et al.

(10) **Patent No.:** **US D617,018 S**
(45) **Date of Patent:** **** Jun. 1, 2010**

(54) **VEHICLE HEADLIGHT**

D570,007 S * 5/2008 Hsu D26/28
D570,014 S * 5/2008 Hsu D26/28

(75) Inventors: **Damon Arthur Schell**, Redondo Beach, CA (US); **Hiroshi Kannan**, Saitama (JP)

* cited by examiner

(73) Assignee: **Honda Motor Co., Ltd.**, Tokyo (JP)

Primary Examiner—Marcus A Jackson

(**) Term: **14 Years**

(74) *Attorney, Agent, or Firm*—Plumsea Law Group, LLC; Mark E. Duell

(21) Appl. No.: **29/335,033**

(57) **CLAIM**

(22) Filed: **Apr. 7, 2009**

The ornamental design for a vehicle headlight, as shown and described.

Related U.S. Application Data

DESCRIPTION

(63) Continuation of application No. 29/333,759, filed on Mar. 13, 2009, and a continuation of application No. 29/333,734, filed on Mar. 13, 2009, now abandoned.

FIG. 1 is a perspective view of a vehicle headlight showing our new design;

(51) **LOC (9) Cl.** **26-04**

FIG. 2 is a side elevational view thereof;

(52) **U.S. Cl.** **D26/28**

FIG. 3 is a front elevational view thereof;

(58) **Field of Classification Search** D26/28-36;
362/459-468, 475-478, 485-487

FIG. 4 is a top plan view thereof;

See application file for complete search history.

FIG. 5 is a perspective view of another embodiment of a vehicle headlight showing our new design;

(56) **References Cited**

FIG. 6 is a side elevational view of the headlight of FIG. 5;

U.S. PATENT DOCUMENTS

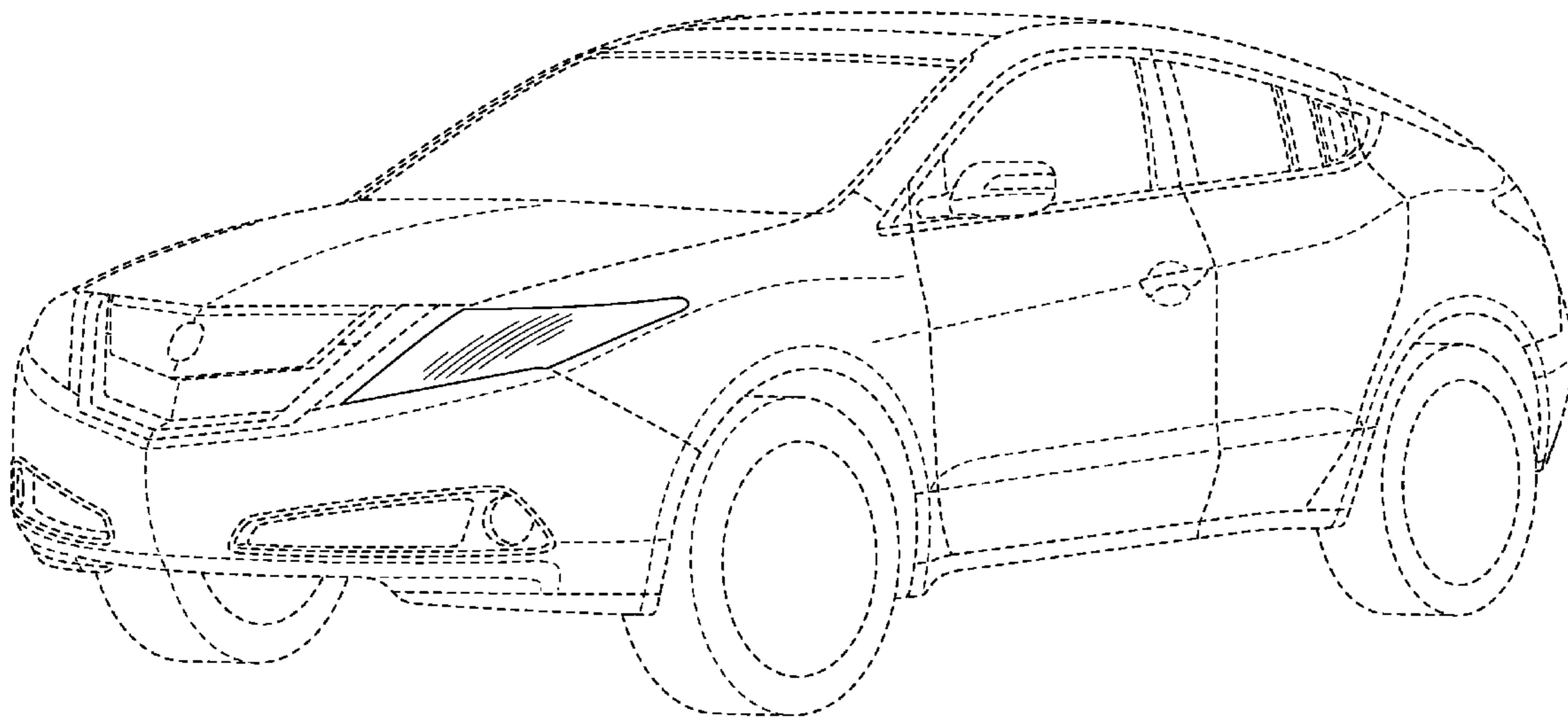
D549,858 S * 8/2007 Pfeiffer D26/28
D550,380 S * 9/2007 Lin D26/28
D560,292 S * 1/2008 Sato D26/28
D561,359 S * 2/2008 Hsu D26/28
D565,211 S * 3/2008 Haller et al. D26/28
D569,533 S * 5/2008 Hsu D26/28

FIG. 7 is a front elevational view of the headlight of FIG. 5; and,

FIG. 8 is a top plan view of the headlight of FIG. 5.

The broken line showings of the remainder of the vehicle form no part of the claimed design.

1 Claim, 8 Drawing Sheets



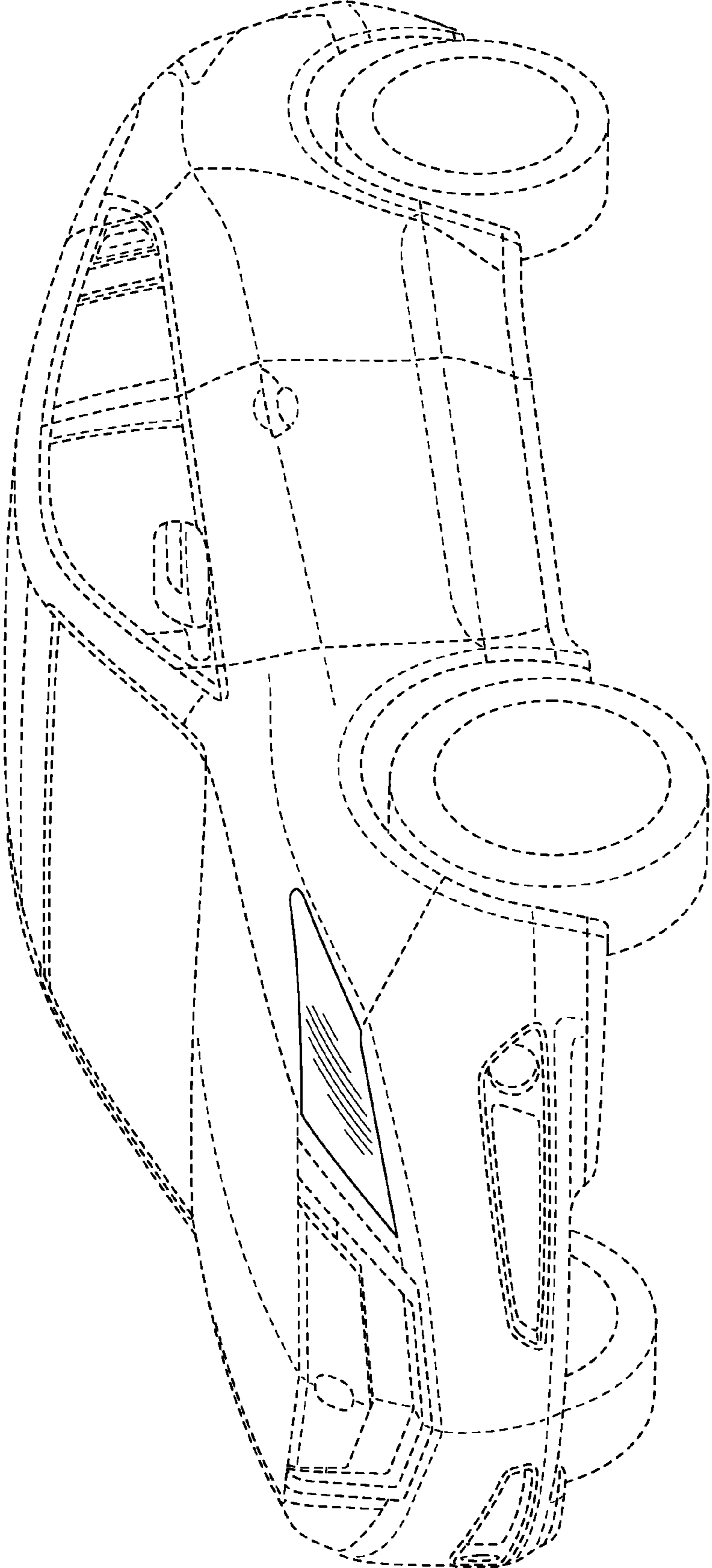


FIG. 1

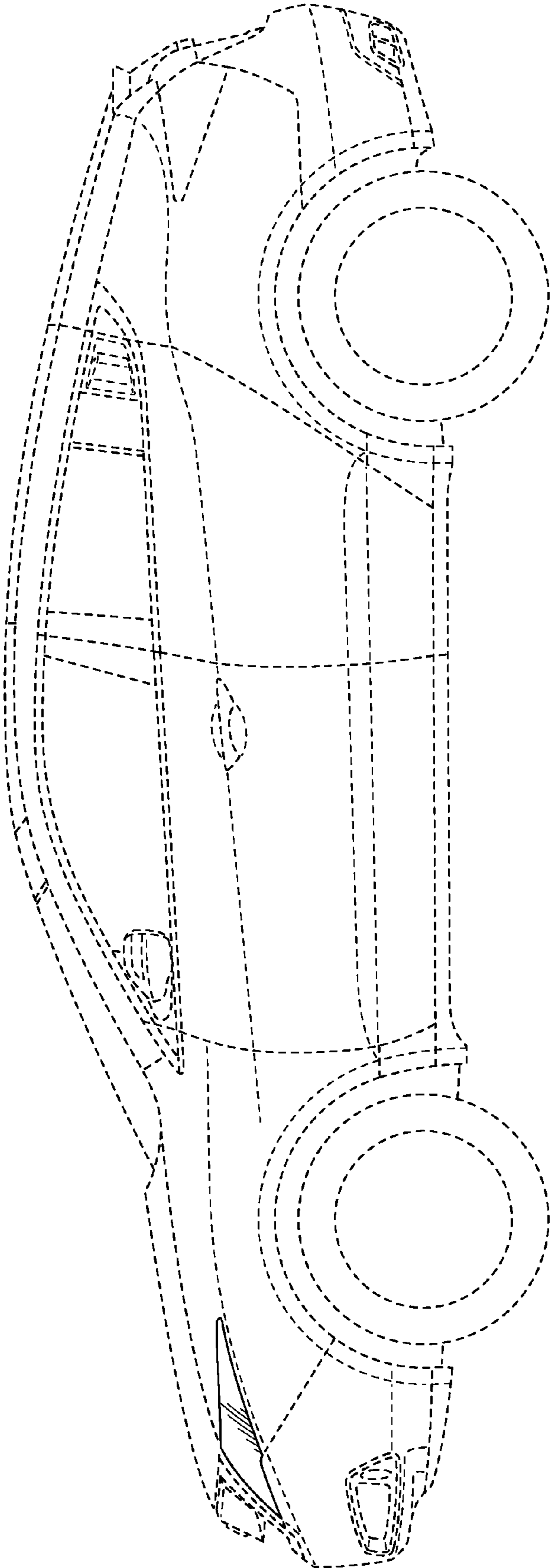


FIG. 2

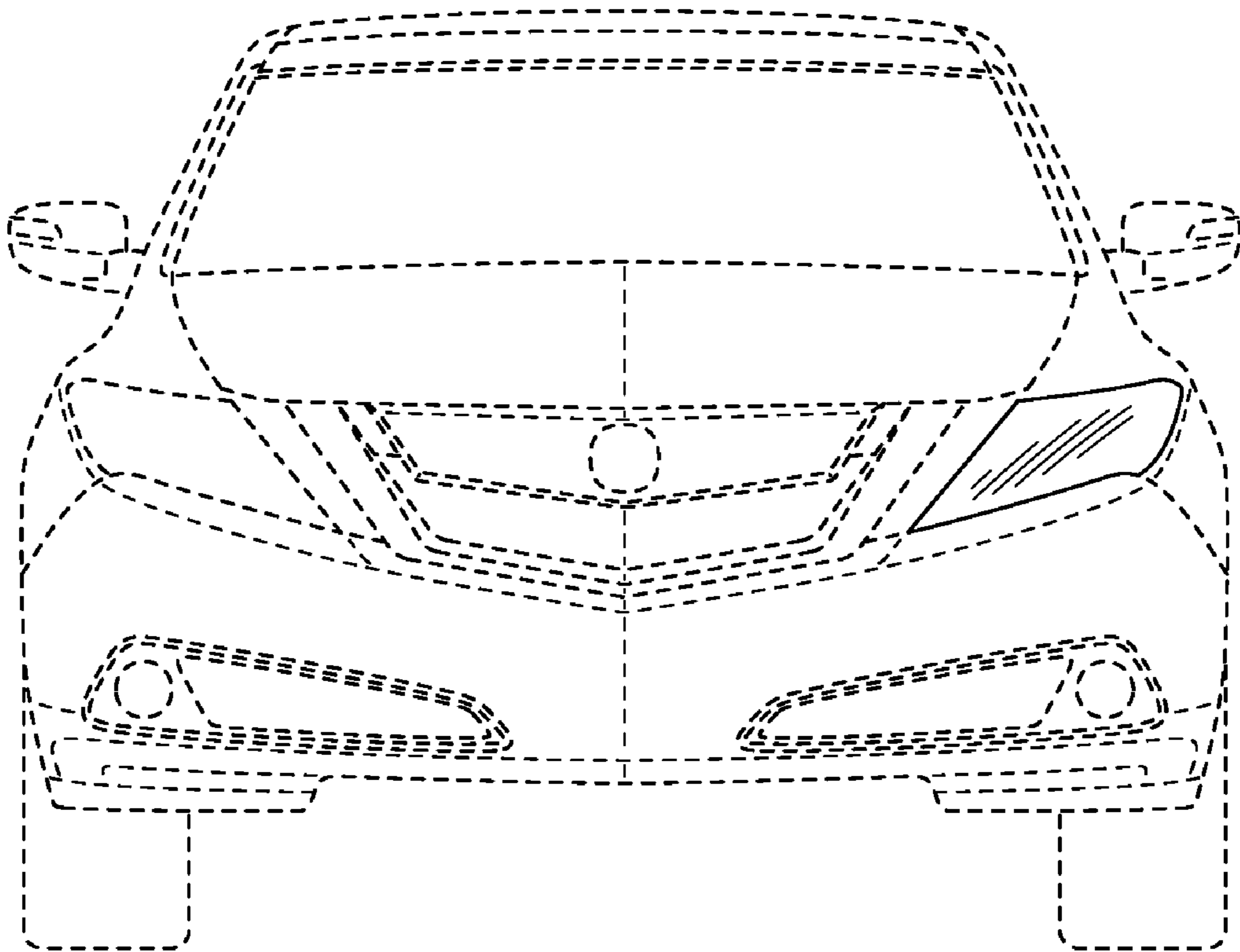


FIG. 3

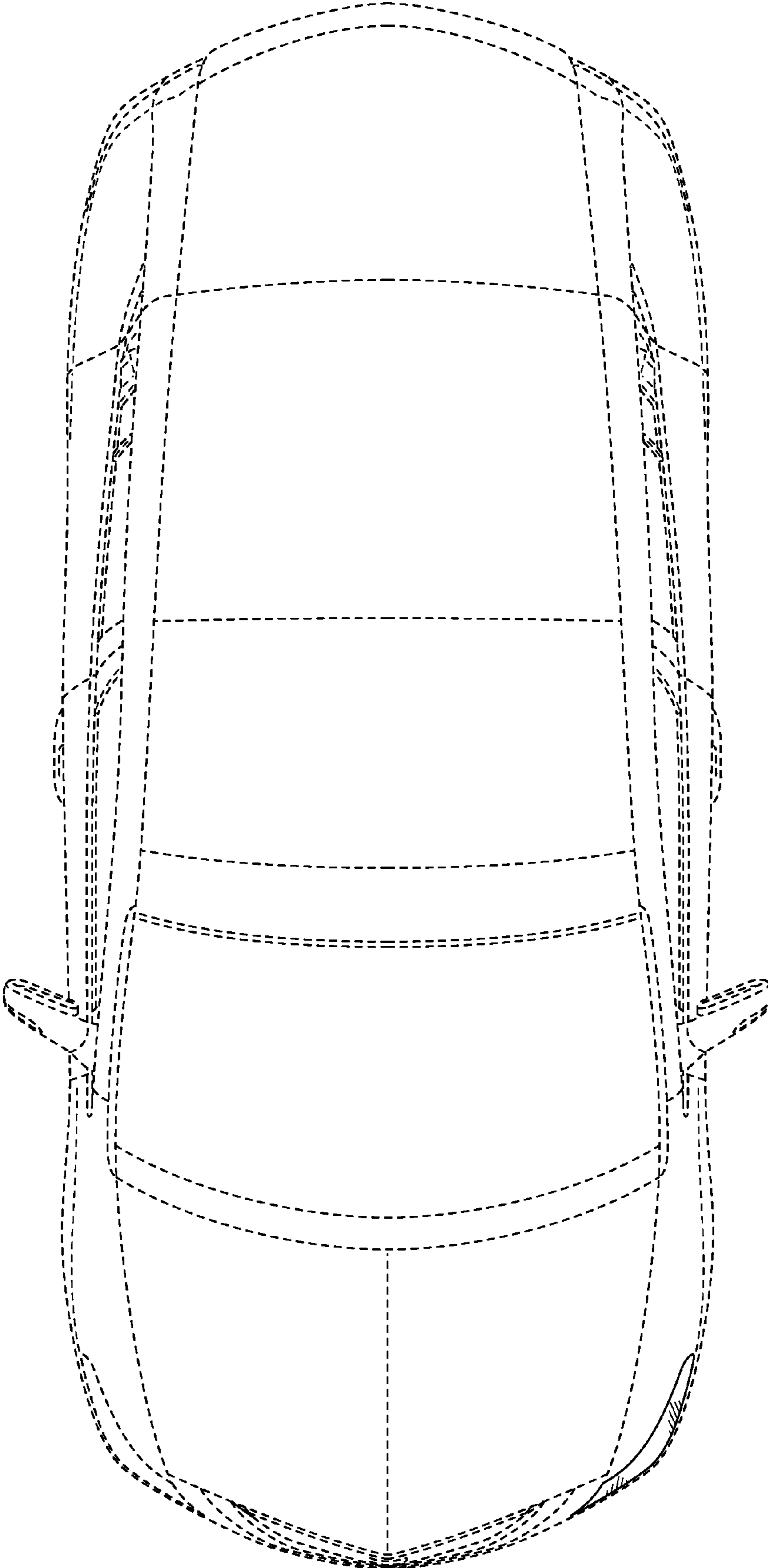


FIG. 4

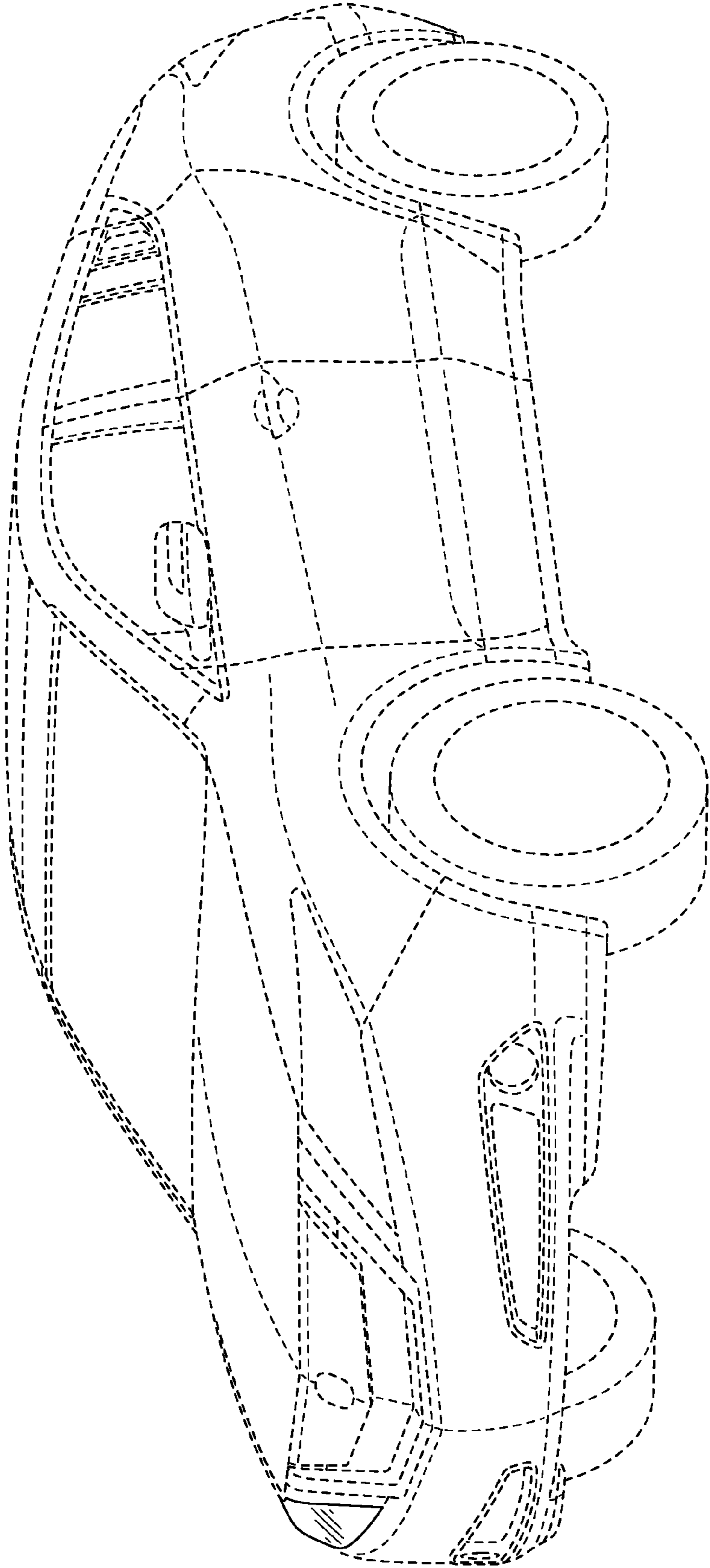


FIG. 5

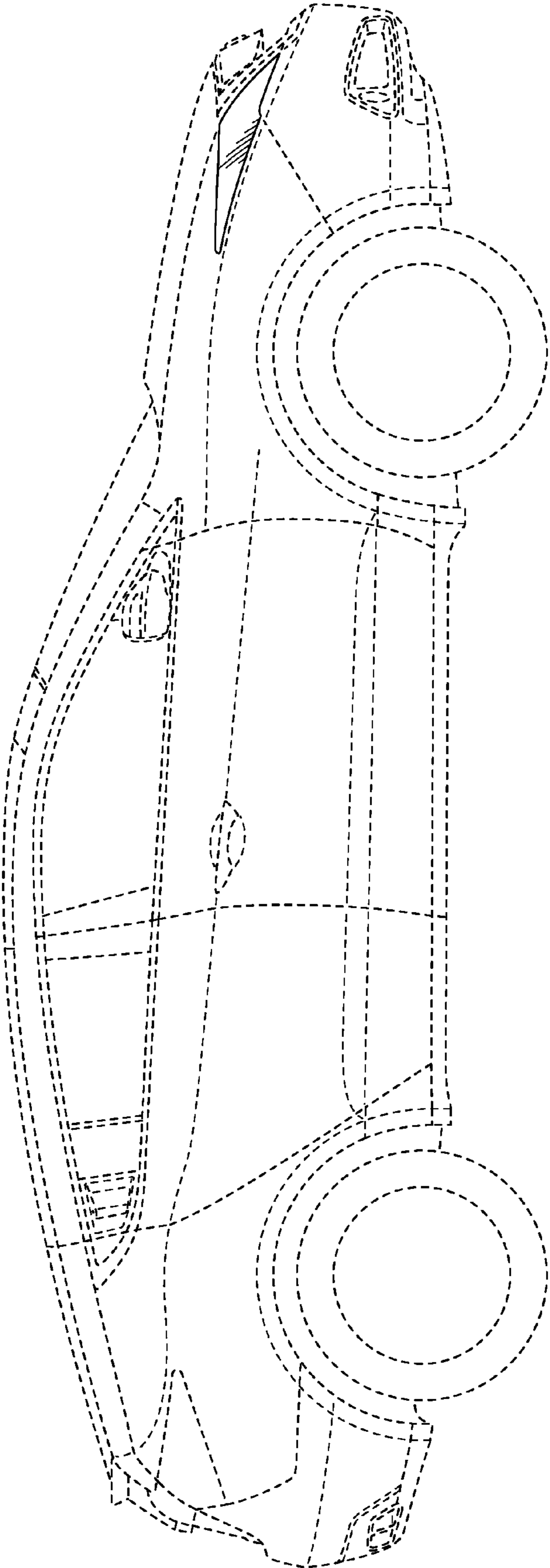


FIG. 6

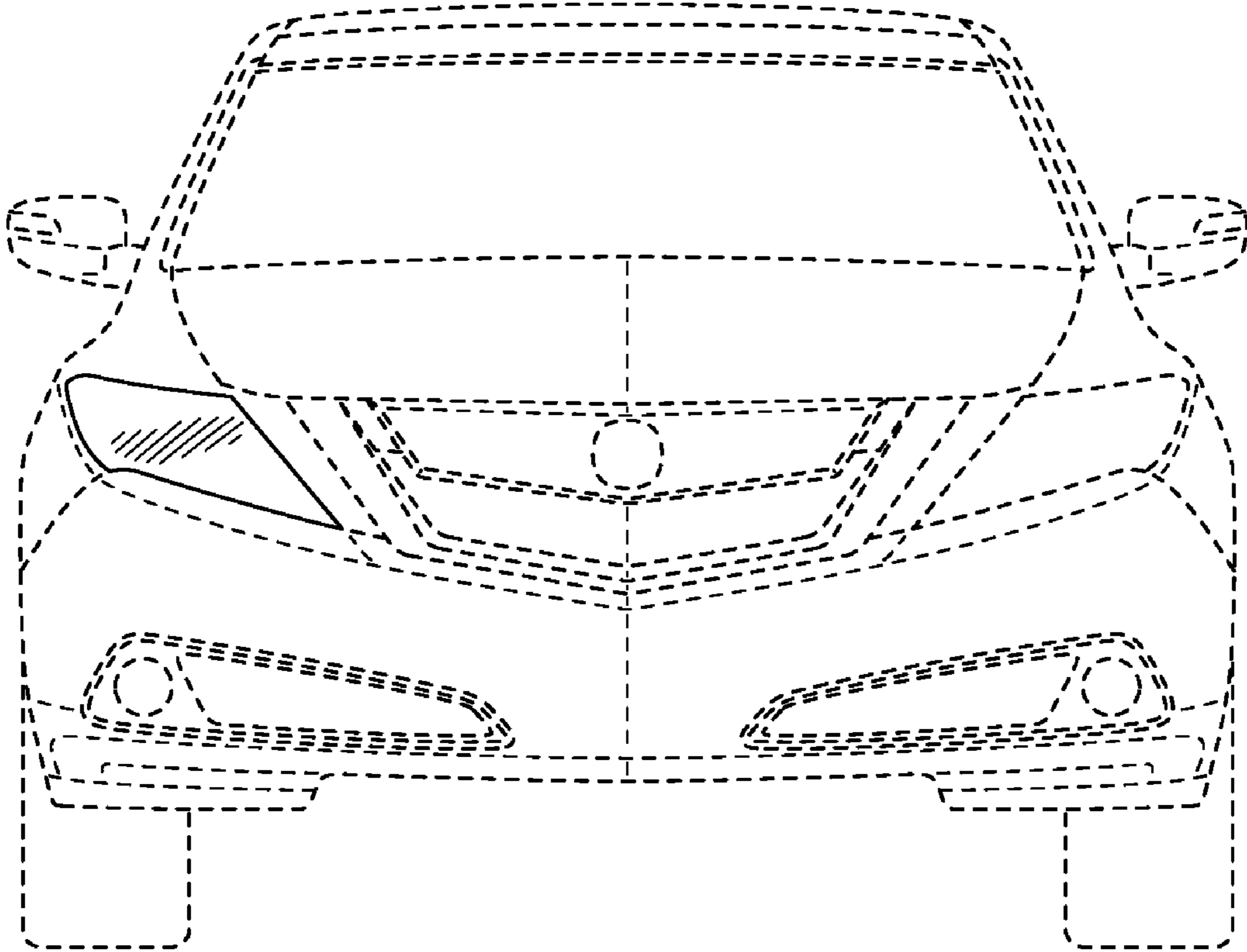


FIG. 7

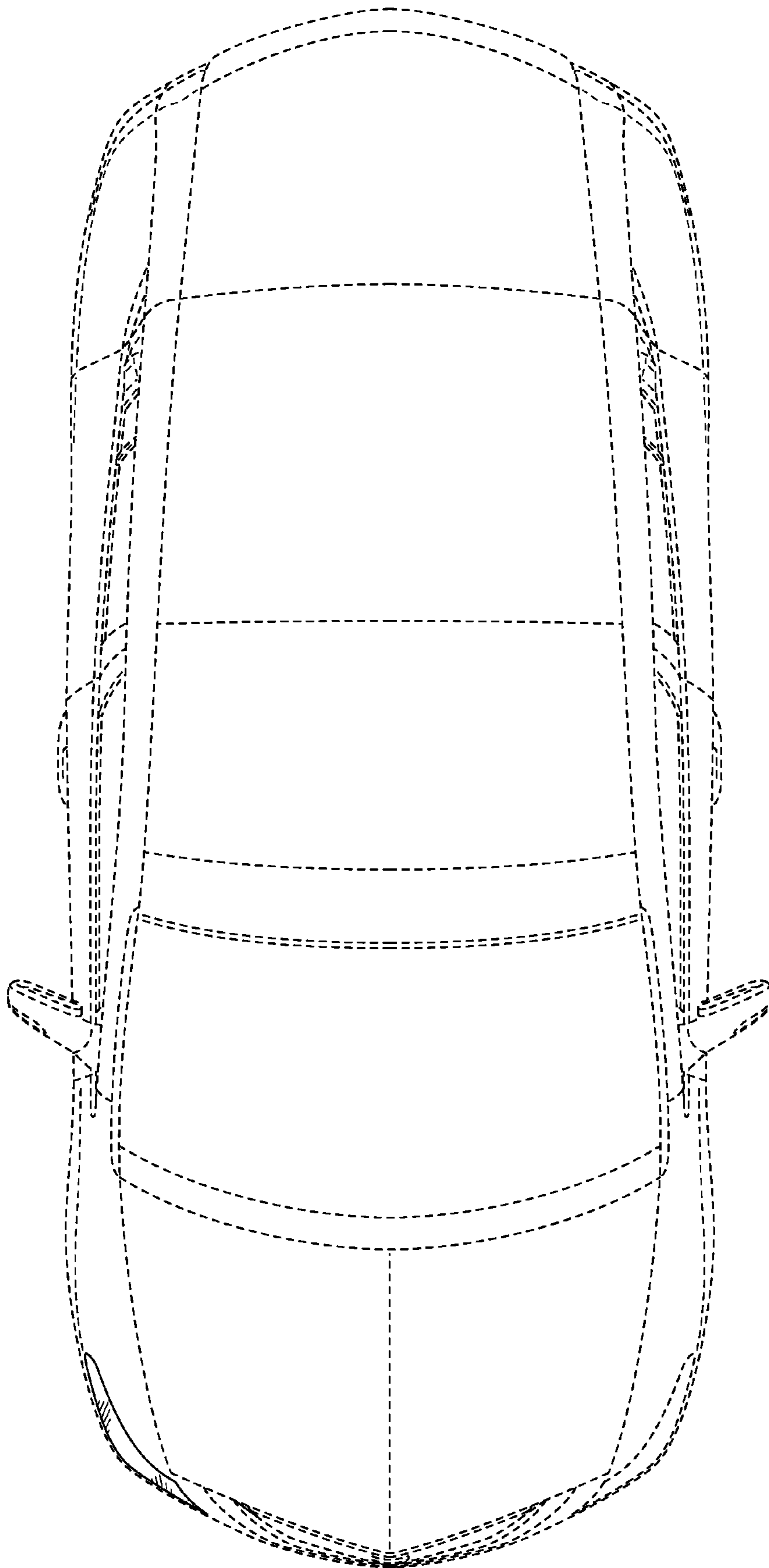


FIG. 8