



US00D617017S

(12) **United States Design Patent**
Grebert et al.

(10) **Patent No.:** **US D617,017 S**
(45) **Date of Patent:** **** Jun. 1, 2010**

(54) **HEADLAMP FOR A VEHICLE**

D570,009 S * 5/2008 Kani et al. D26/28
D581,069 S * 11/2008 Vanderhoek D26/28

(75) Inventors: **Olivier Grebert**, Ronchin (FR); **Cyril Herbin**, Potelle (FR); **Rémi Maliar**, Saint-Saulve (FR); **Benony Grigorescu**, Waterloo (BE)

* cited by examiner

Primary Examiner—Marcus A Jackson
(74) *Attorney, Agent, or Firm*—Oblon, Spivak, McClelland, Maier & Neustadt, L.L.P.

(73) Assignee: **Valeo Vision S.A.S.**, Bobigny (FR)

(**) Term: **14 Years**

(57) **CLAIM**

(21) Appl. No.: **29/333,685**

The new, original, and ornamental design for a headlamp for a vehicle, as shown.

(22) Filed: **Mar. 13, 2009**

DESCRIPTION

(30) **Foreign Application Priority Data**

Sep. 17, 2008 (WO) D60/460001901

FIG. 1 is a perspective view of the headlamp for a vehicle, showing our design;

(51) **LOC (9) Cl.** **26-06**

FIG. 2 is a front view thereof;

(52) **U.S. Cl.** **D26/28**

FIG. 3 is a rear view thereof;

(58) **Field of Classification Search** D26/28-36;
362/459-468, 475-478, 485-487

FIG. 4 is a left view thereof, the right view being a mirror image thereof;

See application file for complete search history.

FIG. 5 is a top view thereof; and,

(56) **References Cited**

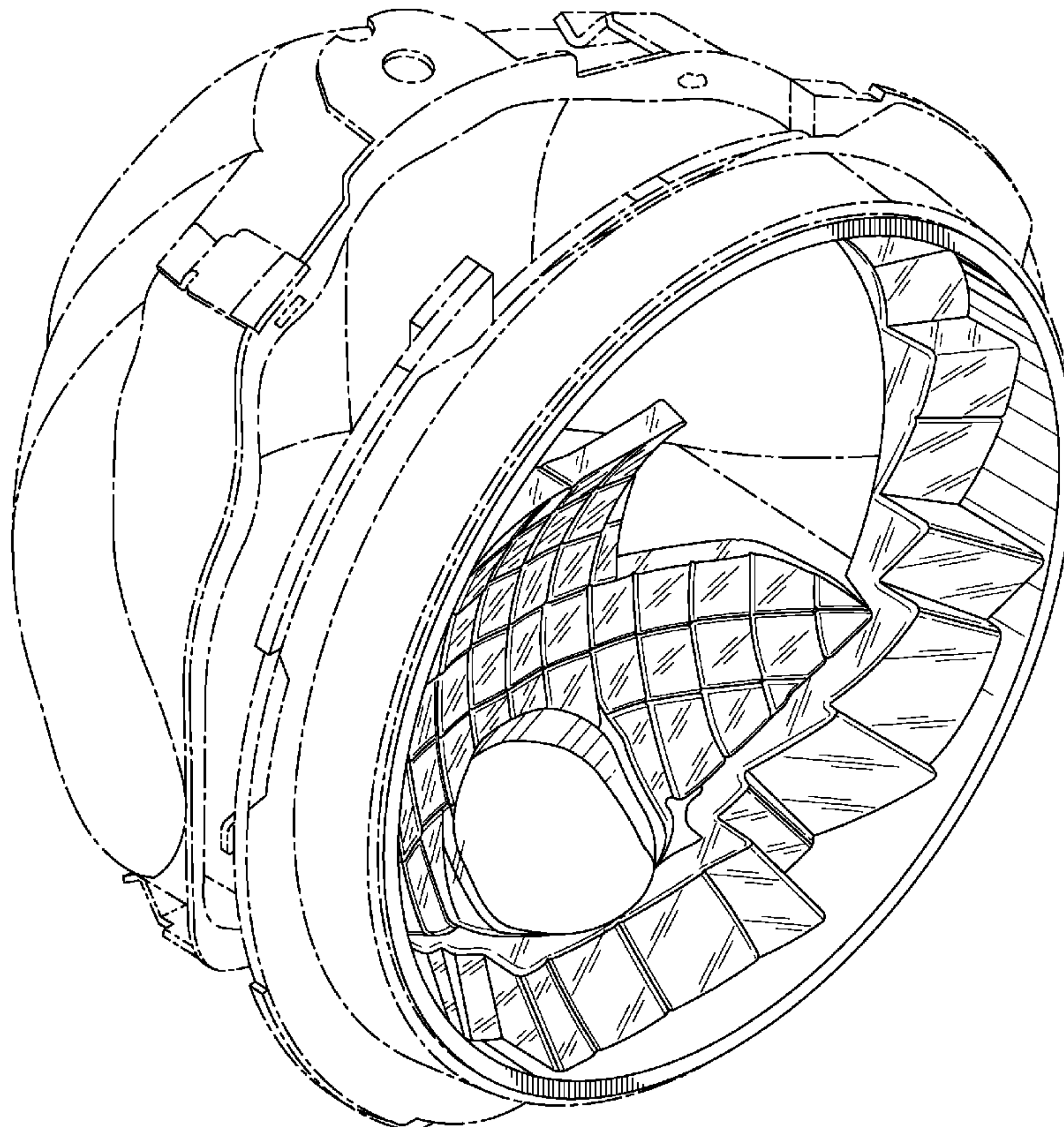
FIG. 6 is a bottom view thereof.

U.S. PATENT DOCUMENTS

The broken line showing of the other portion of the claimed design is included for the purpose of illustrating the other portions of the claimed design and forms no part of the claimed design.

D490,172 S * 5/2004 Yamamoto D26/28
D503,004 S 3/2005 Jiao et al.
D532,130 S * 11/2006 Yeh D26/28
D564,683 S * 3/2008 Roach et al. D26/28

1 Claim, 6 Drawing Sheets



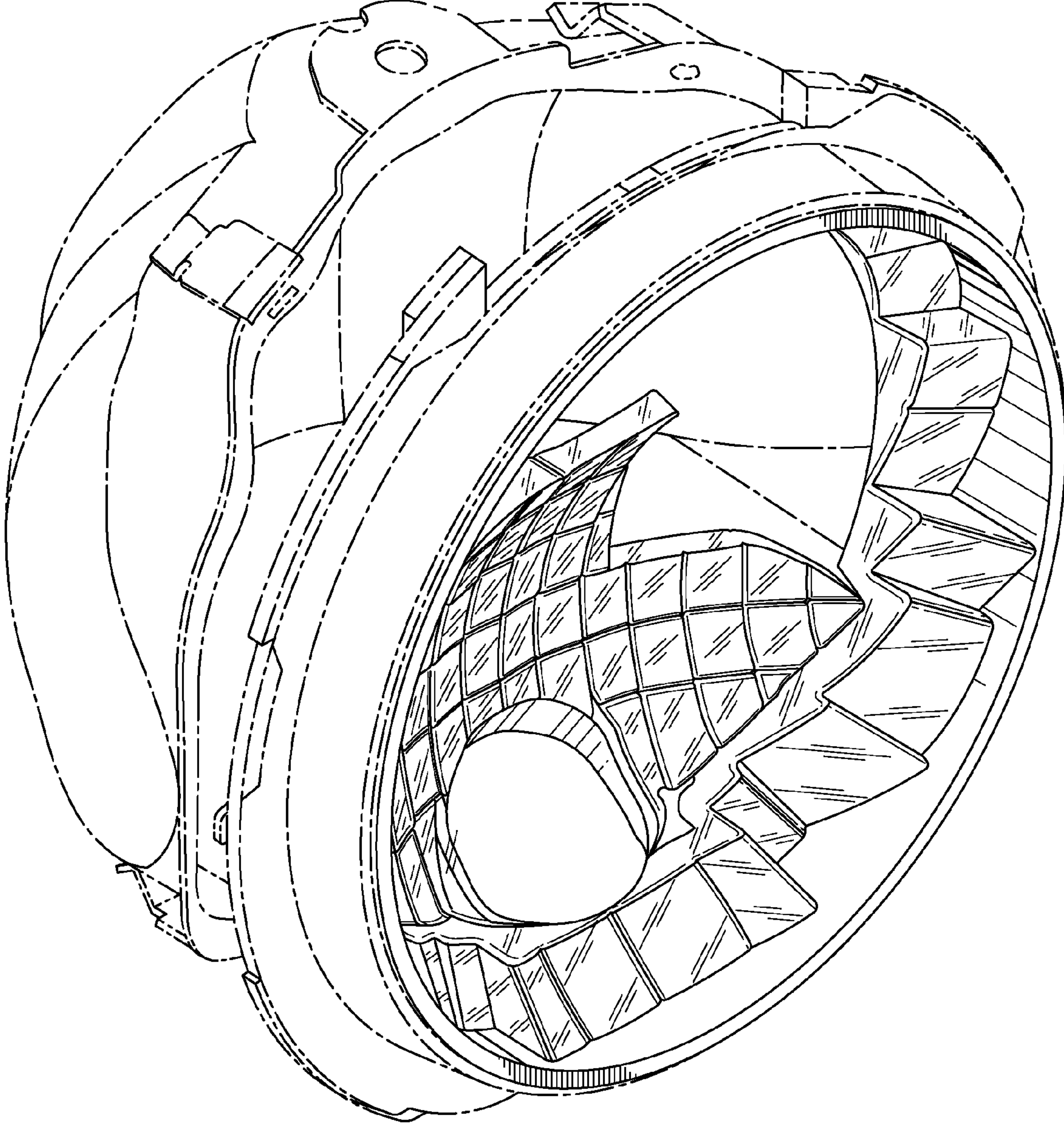


Fig. 1

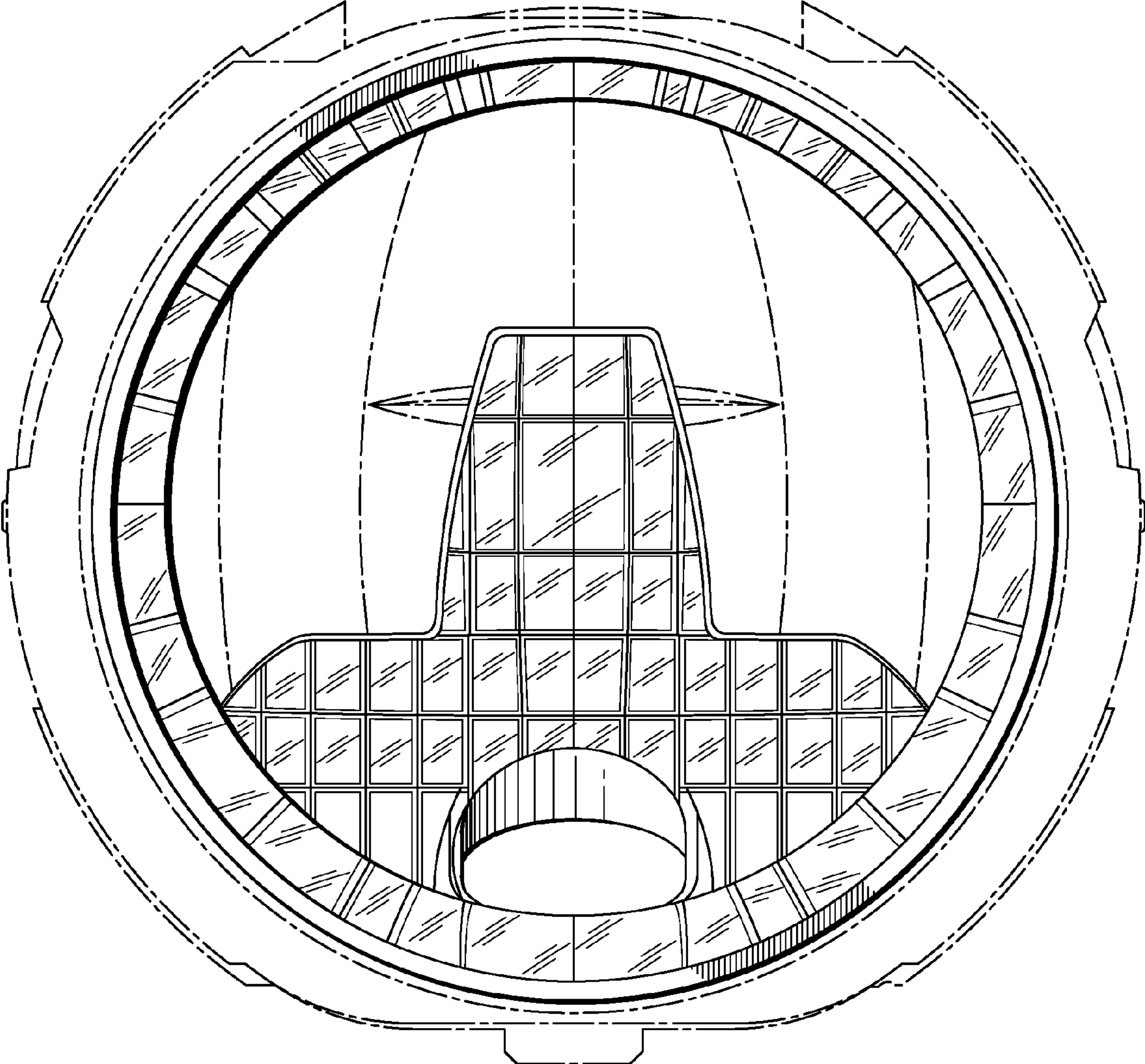


Fig. 2

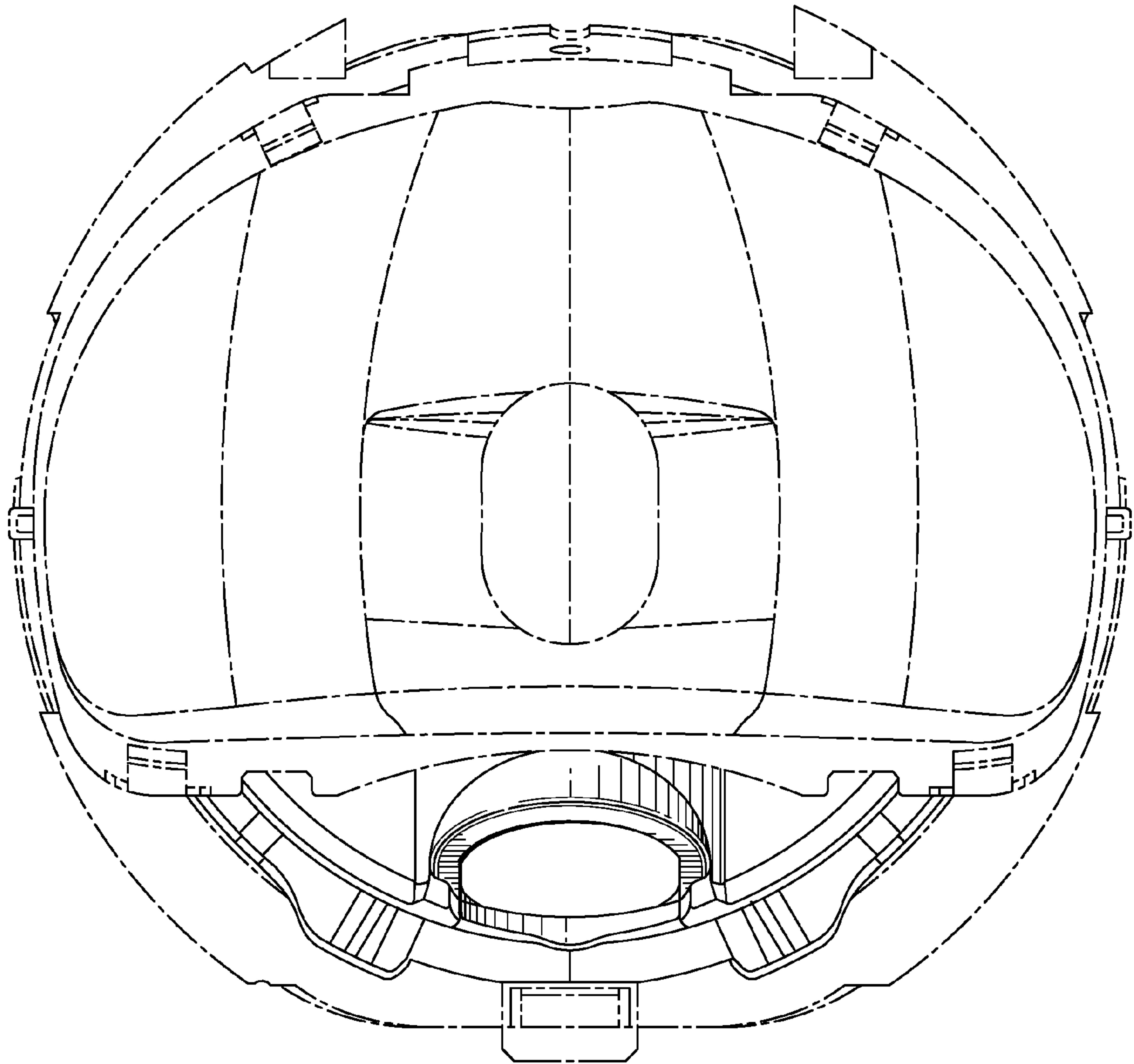


Fig. 3

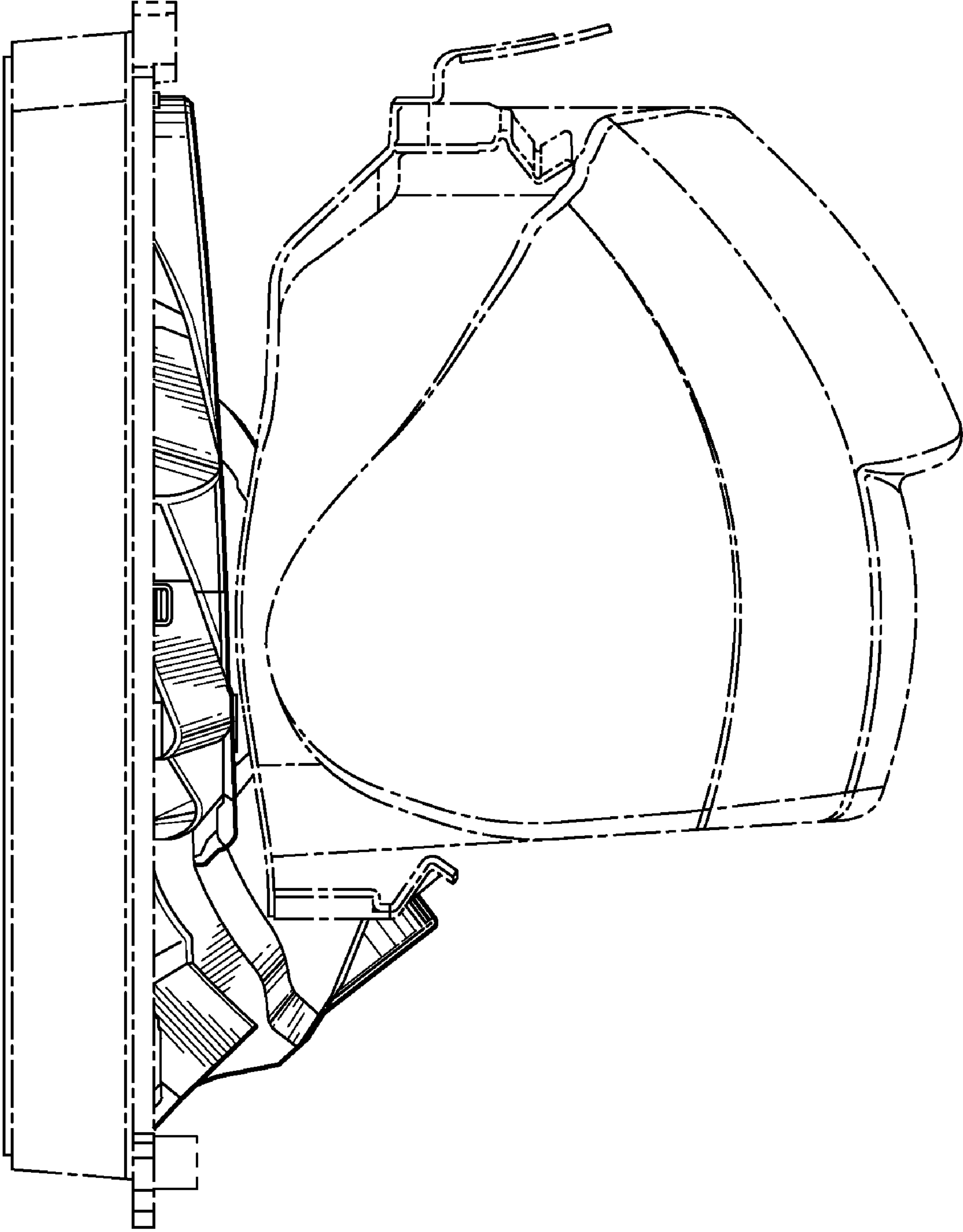


Fig. 4

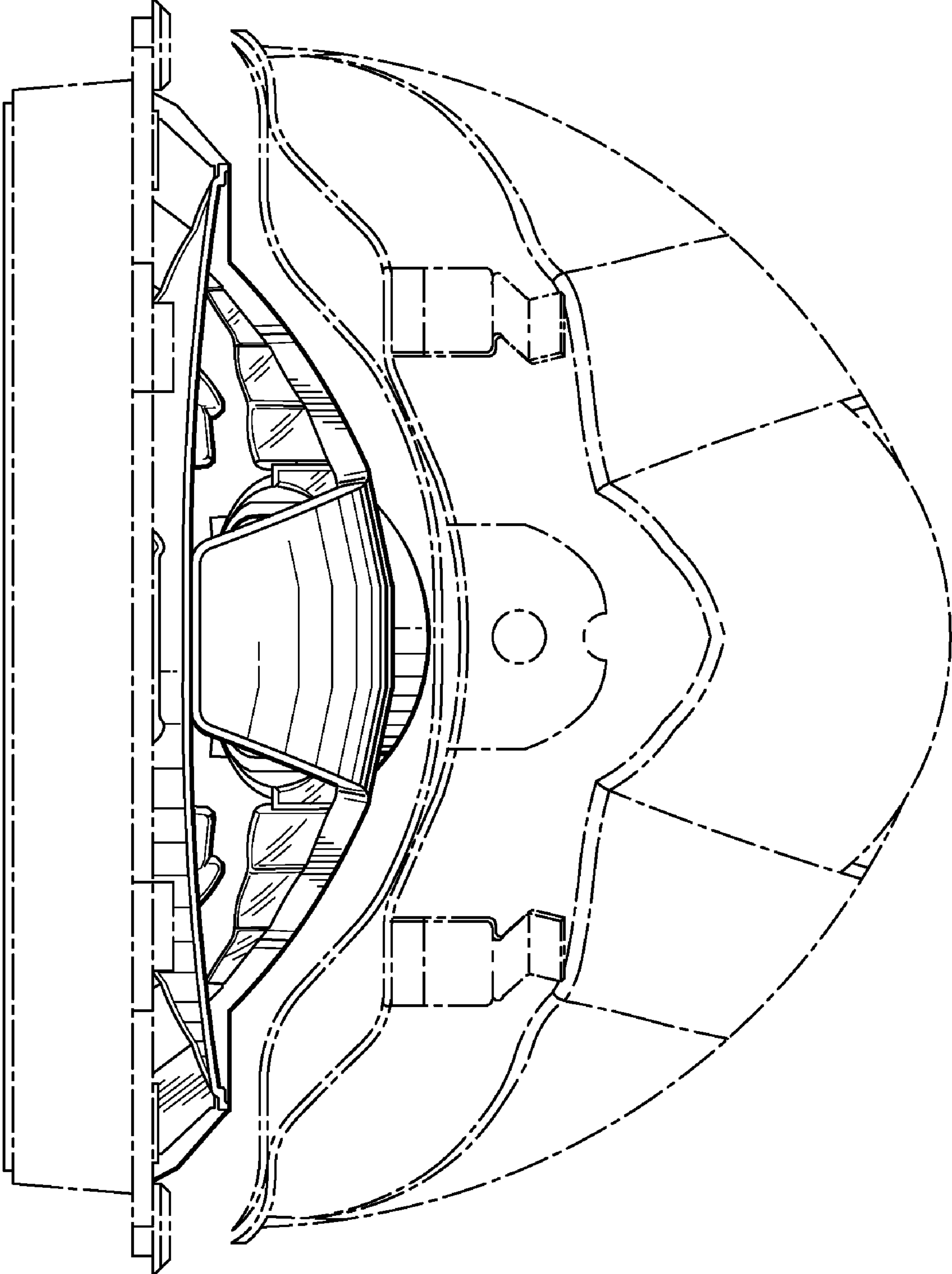


Fig. 5

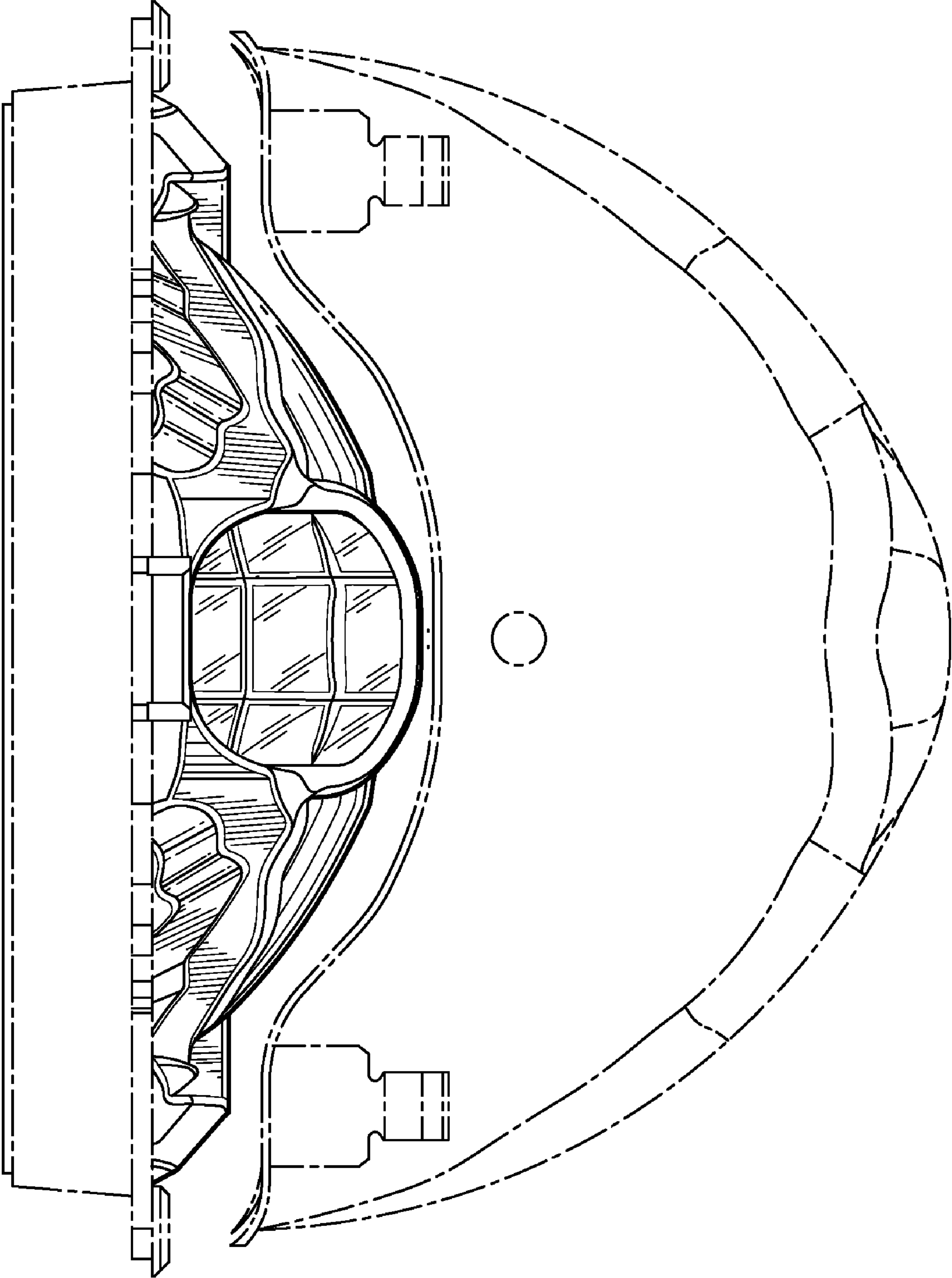


Fig. 6