



US00D617014S

(12) **United States Design Patent**
Foo

(10) **Patent No.:** **US D617,014 S**

(45) **Date of Patent:** **** Jun. 1, 2010**

(54) **LAMP**

D570,504 S * 6/2008 Maxik et al. D26/2
D582,578 S * 12/2008 Tsai et al. D26/2

(75) Inventor: **Onn Fah Foo**, Hong Kong (CN)

* cited by examiner

(73) Assignee: **Mass Technology (H.K.) Ltd.**, Kowloon (HK)

Primary Examiner—Marcus A Jackson
(74) *Attorney, Agent, or Firm*—Kevin J. McNeely; McNeely & Hare LLP

(**) Term: **14 Years**

(21) Appl. No.: **29/345,470**

(57) **CLAIM**

(22) Filed: **Oct. 16, 2009**

The ornamental design for a lamp, as shown.

(51) **LOC (9) Cl.** **26-04**

(52) **U.S. Cl.** **D26/2**

(58) **Field of Classification Search** D26/1-4;
313/313, 315, 316, 317, 318, 493; 315/52,
315/53, 56, 57, 58

See application file for complete search history.

DESCRIPTION

FIG. 1 is a perspective view of the lamp, showing the new design;

FIG. 2 is a front view of the lamp;

FIG. 3 is a rear view of the lamp;

FIG. 4 is a left view of the lamp;

FIG. 5 is a right view of the lamp;

FIG. 6 is a top view of the lamp; and,

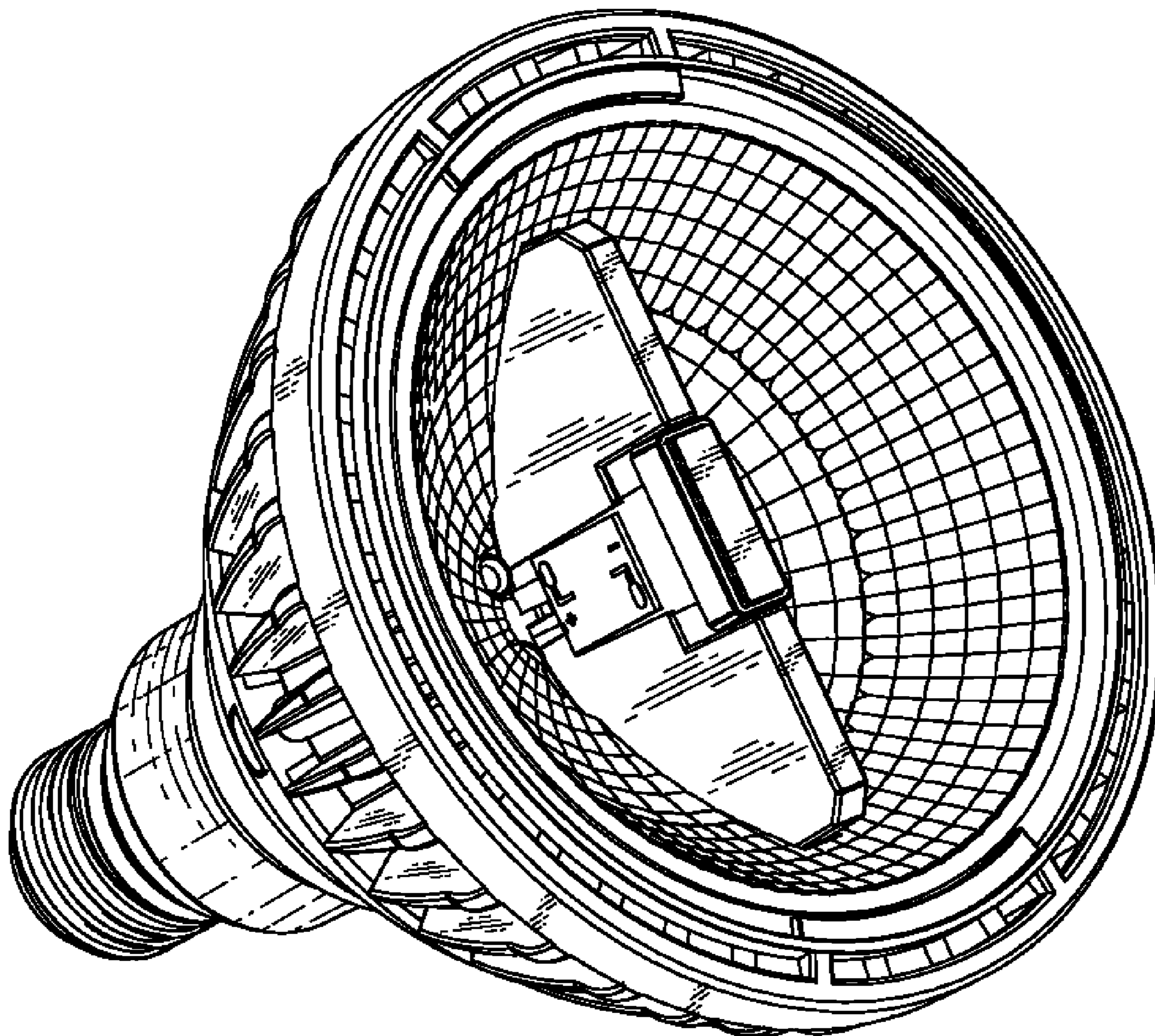
FIG. 7 is a bottom view of the lamp.

(56) **References Cited**

U.S. PATENT DOCUMENTS

D532,532 S * 11/2006 Maxik D26/2
D566,300 S * 4/2008 Lo D26/2
D568,498 S * 5/2008 Degenhard et al. D26/2

1 Claim, 4 Drawing Sheets



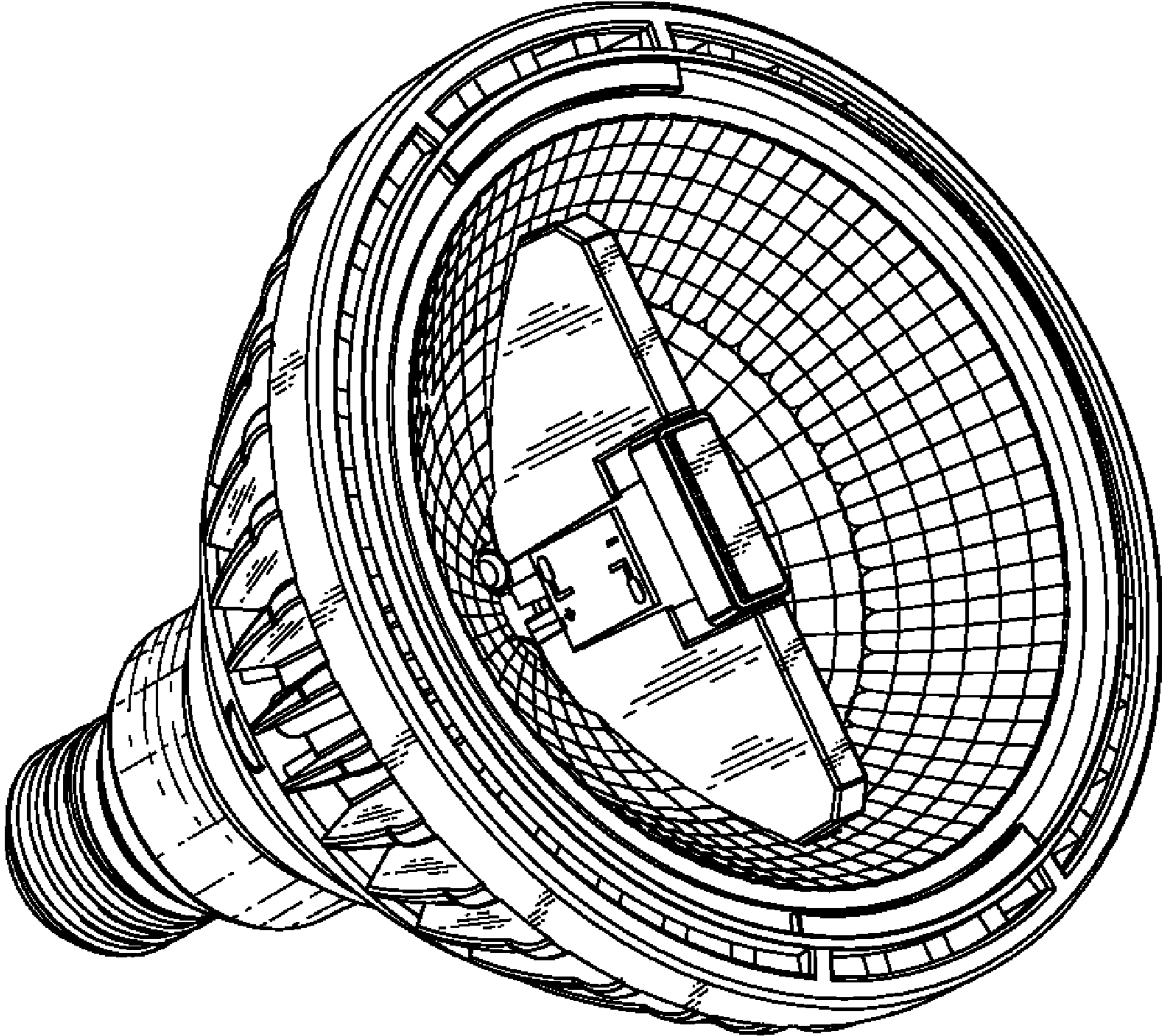


FIG. 1

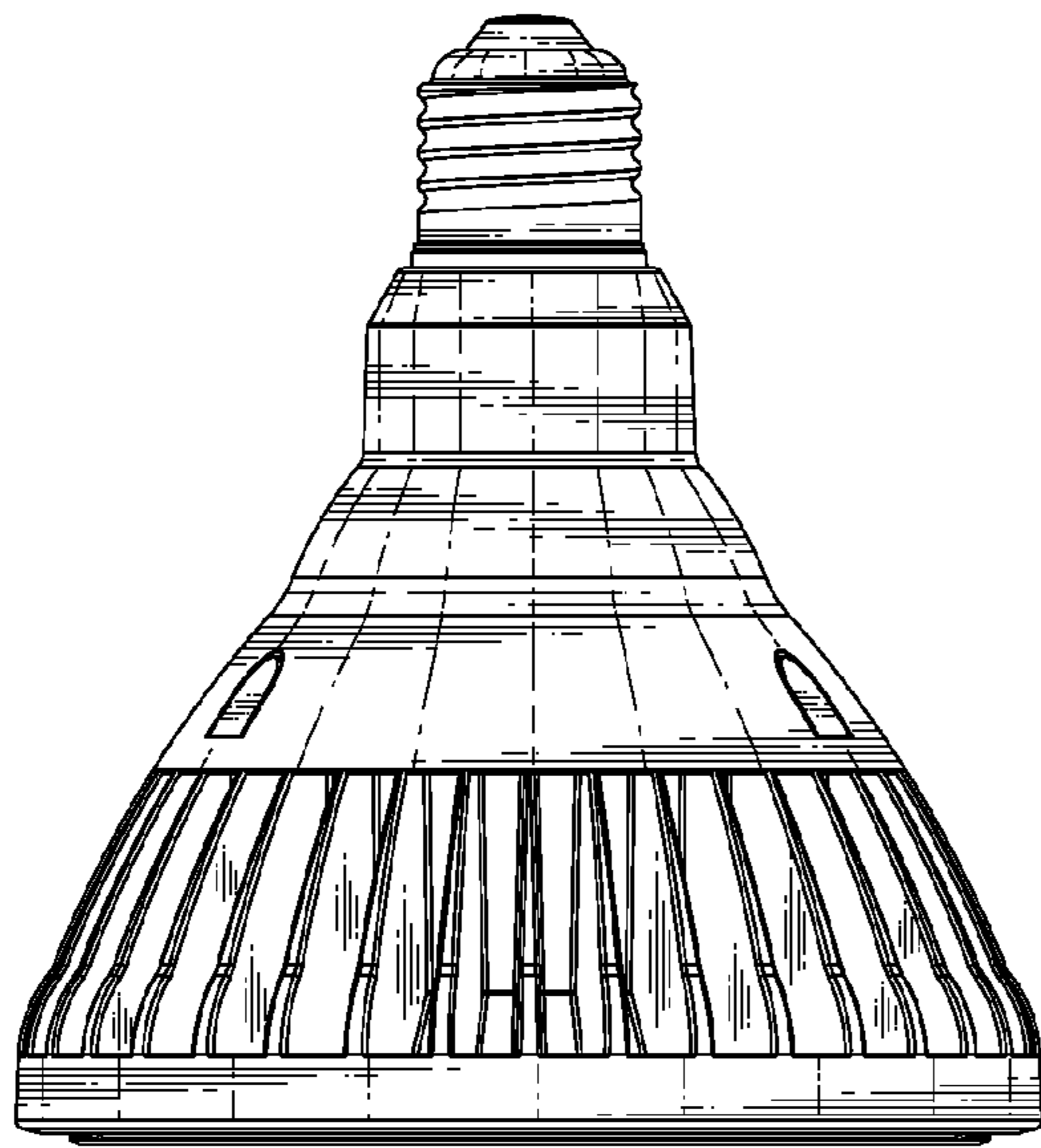


FIG. 2

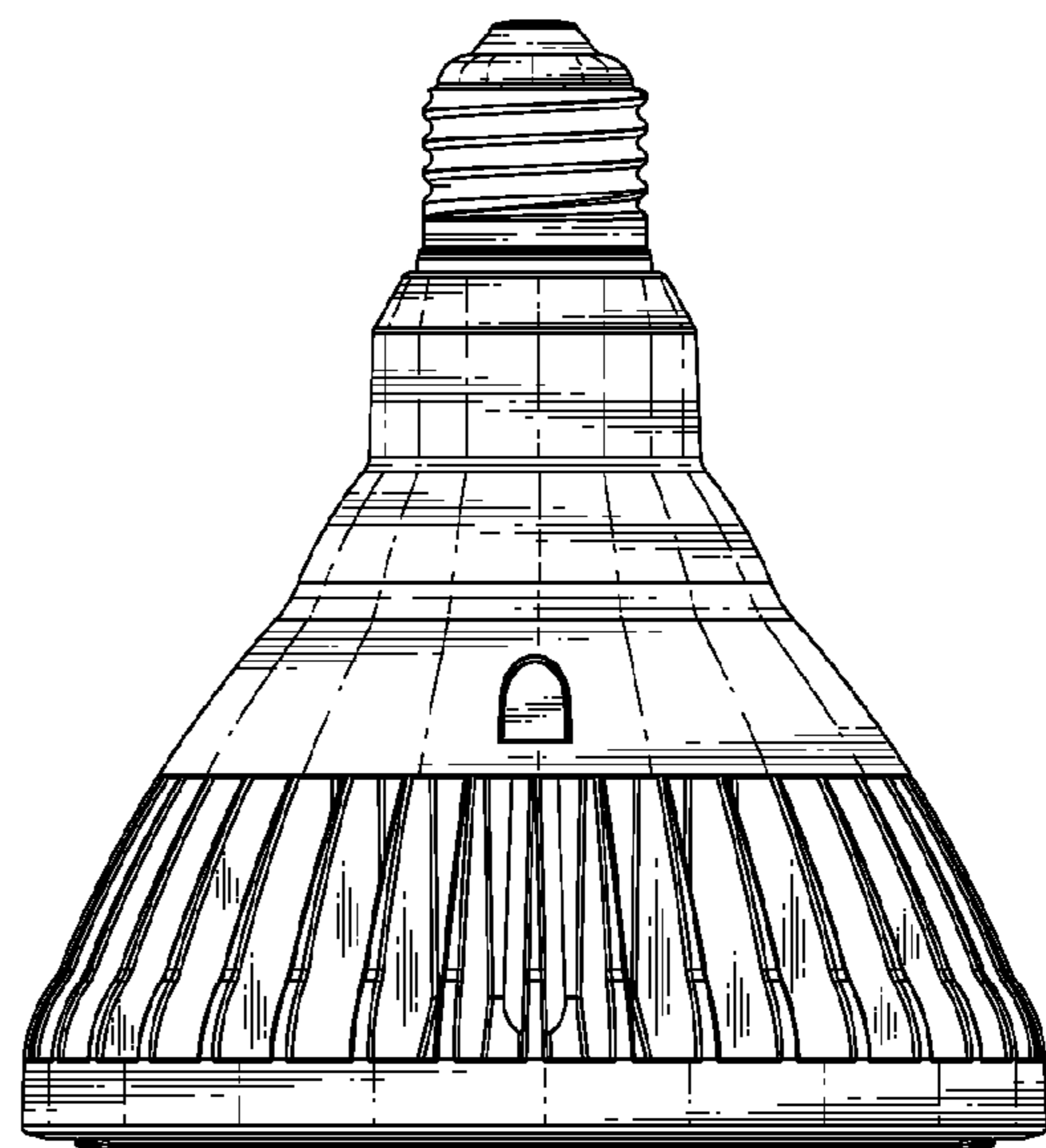


FIG. 3

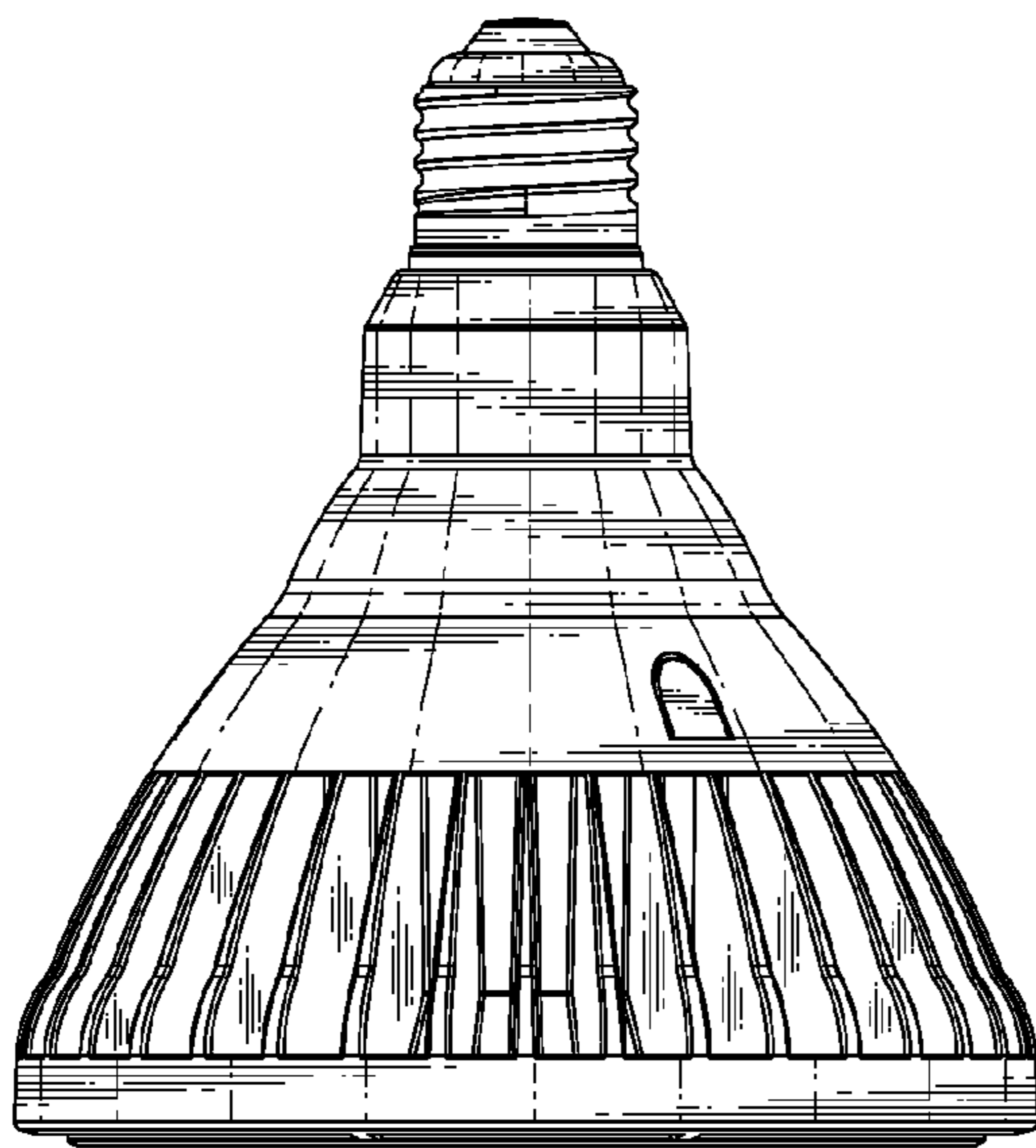


FIG. 4

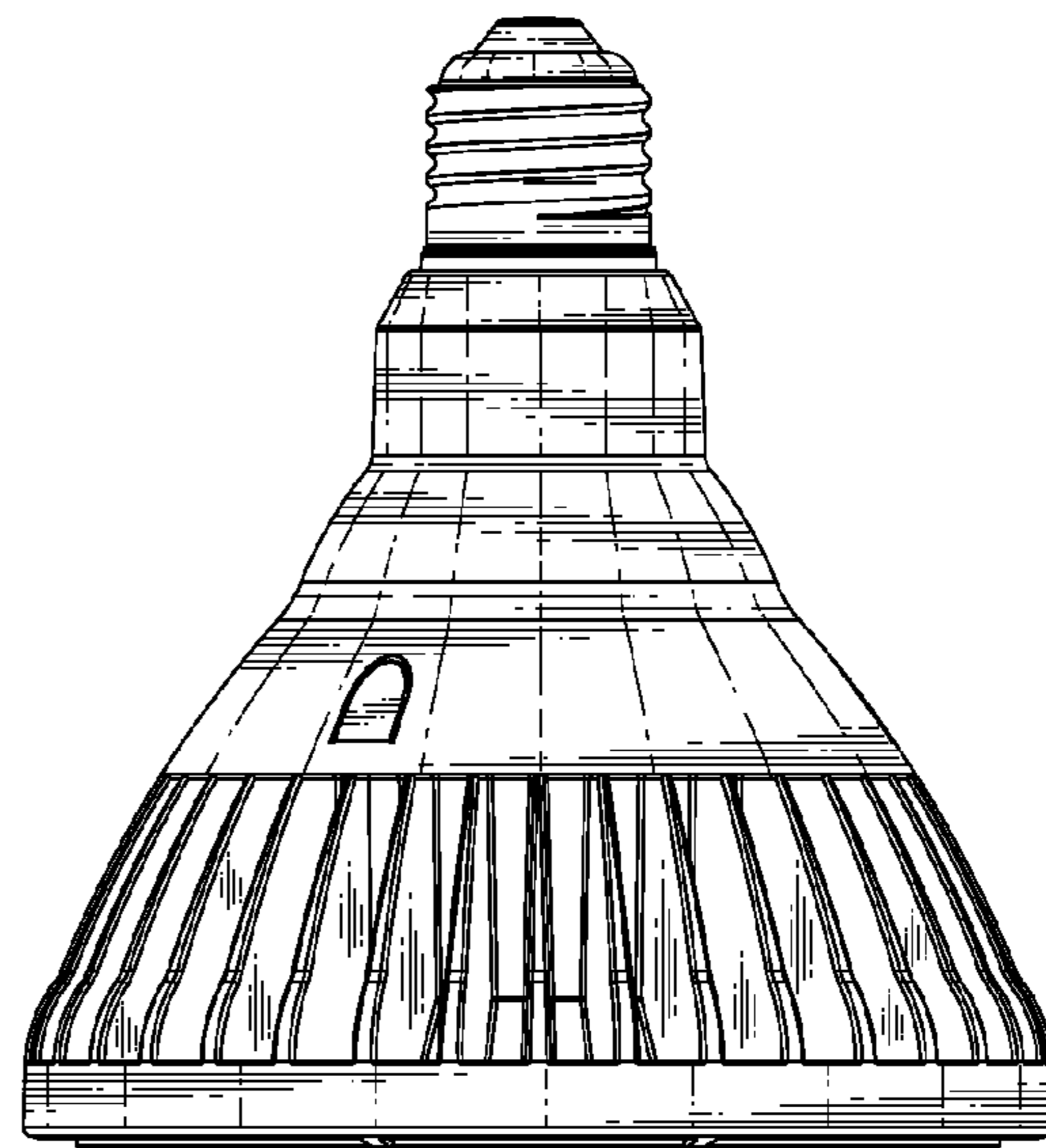


FIG. 5

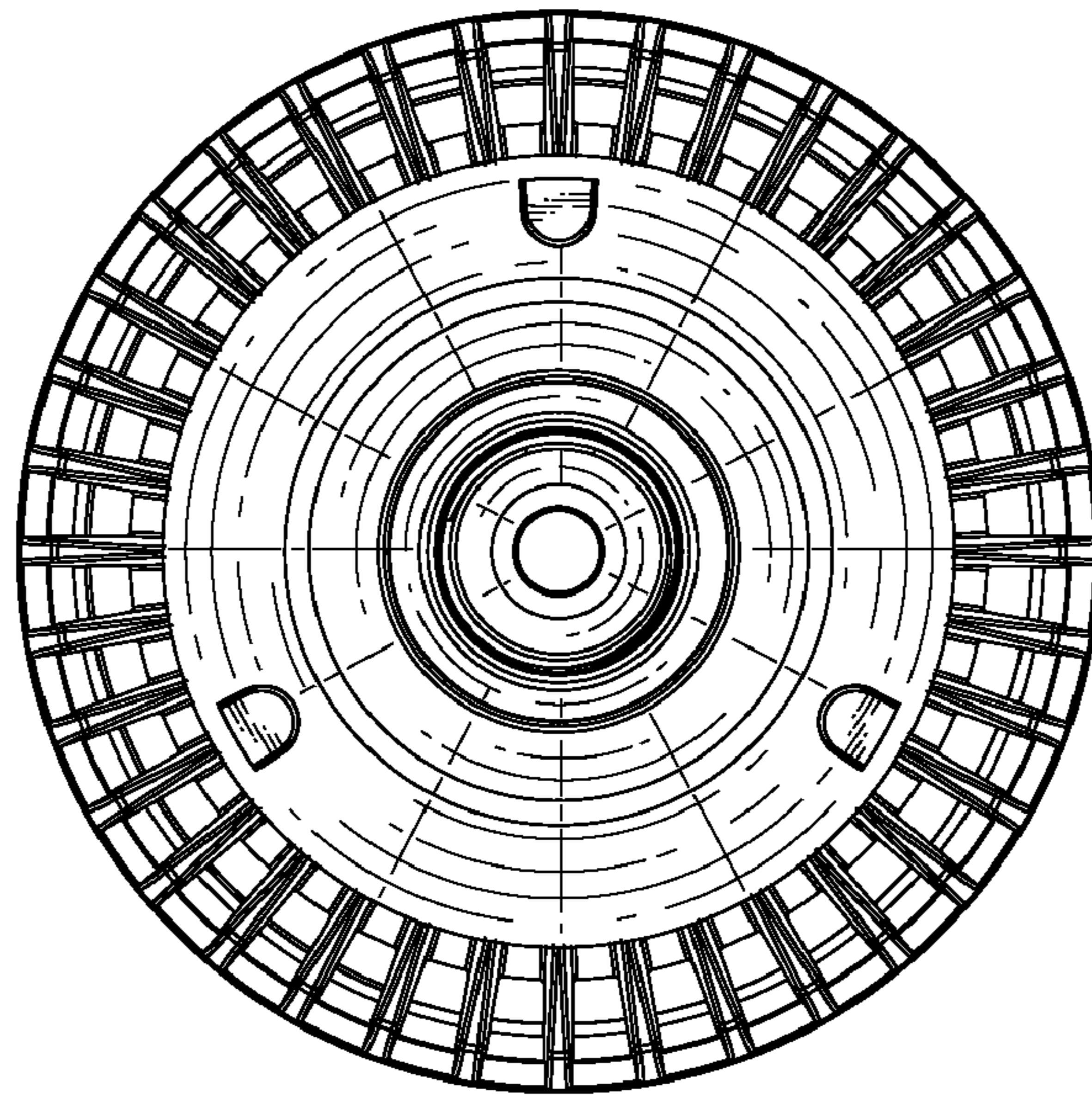


FIG. 6

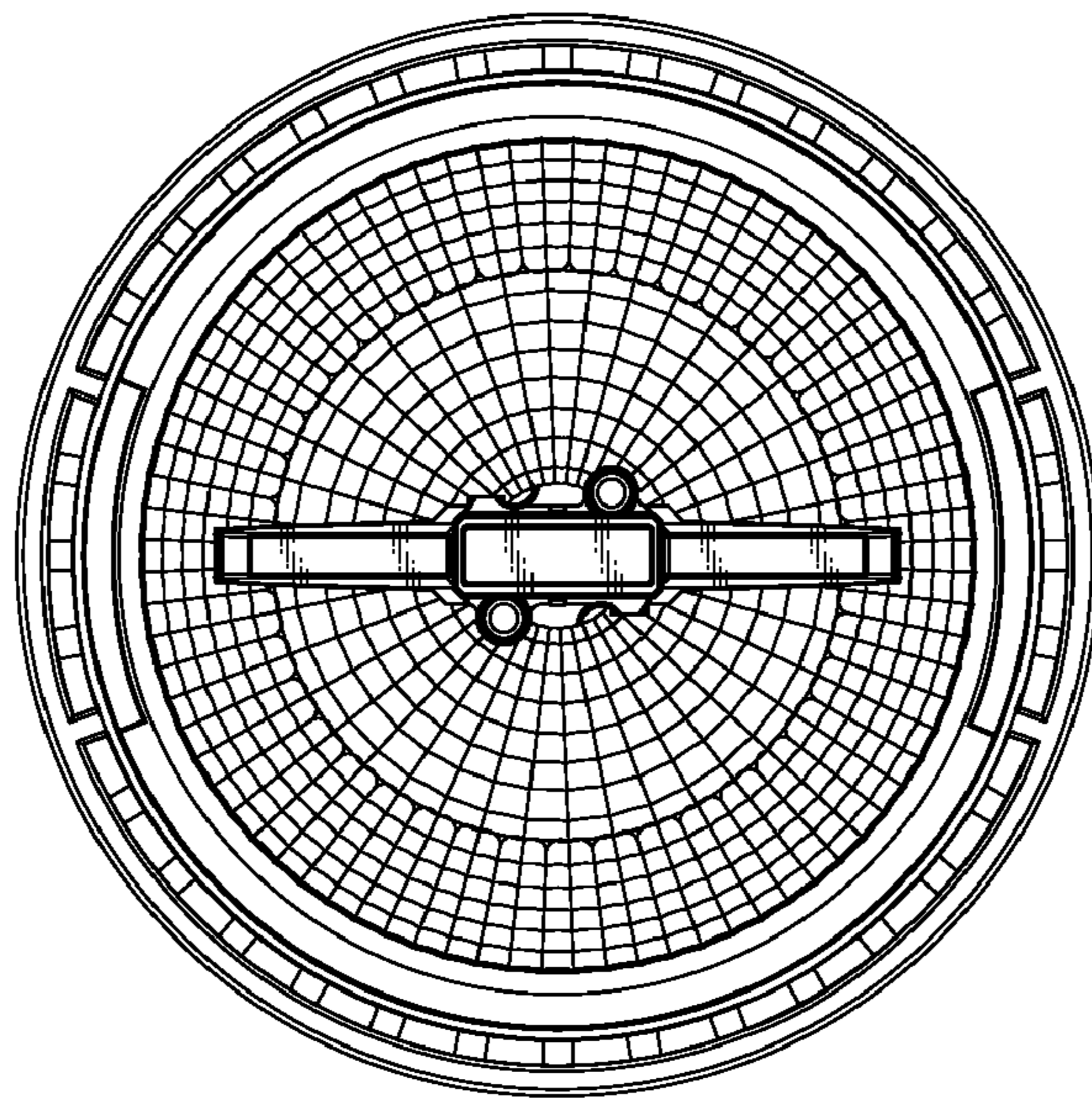


FIG. 7