



US00D617013S

(12) **United States Design Patent**
Pei et al.

(10) **Patent No.:** **US D617,013 S**
(45) **Date of Patent:** **** Jun. 1, 2010**

(54) **LAMP**

D601,275 S * 9/2009 Ho et al. D26/2

(75) Inventors: **Chien-Chang Pei**, Tu Chen (TW);
Yi-Hung Chen, Tu Chen (TW); **Yu-Ju Liu**, Tu Chen (TW); **Chao-Sheng Dong**,
Tu Chen (TW)

FOREIGN PATENT DOCUMENTS

TW D125227 8/1996
TW D125226 10/1996
TW D125227 10/1996

(73) Assignee: **Everlight Electronics Co., Ltd.**,
Tucheng (TW)

OTHER PUBLICATIONS

Taiwanese Notice of Allowance and Search Report dated Dec. 17,
2009 issued in counterpart Taiwanese Patent Application.

(**) Term: **14 Years**

* cited by examiner

(21) Appl. No.: **29/340,983**

Primary Examiner—Marcus A Jackson

(22) Filed: **Jul. 29, 2009**

(74) *Attorney, Agent, or Firm*—Grossman, Tucker, Perreault
& Pflieger, PLLC

Related U.S. Application Data

(63) Continuation of application No. 29/332,898, filed on
Feb. 27, 2009, now Pat. No. Des. 599,920, which is a
continuation-in-part of application No. 29/318,696,
filed on May 26, 2008.

(57) **CLAIM**

The ornamental design for a lamp, as shown and described.

(51) **LOC (9) Cl.** **26-06**

(52) **U.S. Cl.** **D26/2**

(58) **Field of Classification Search** D26/1-4;
313/313, 315, 316, 317, 318, 493; 315/52,
315/53, 56, 57, 58

See application file for complete search history.

DESCRIPTION

FIG. 1 is a perspective view of a lamp showing the claimed
design;

FIG. 2 is another perspective view thereof;

FIG. 3 is a front elevational view thereof;

FIG. 4 is a rear elevational view thereof;

FIG. 5 is a right side elevational view thereof;

FIG. 6 is a left side elevational view thereof;

FIG. 7 is a top plan view thereof; and,

FIG. 8 is a bottom plan view thereof.

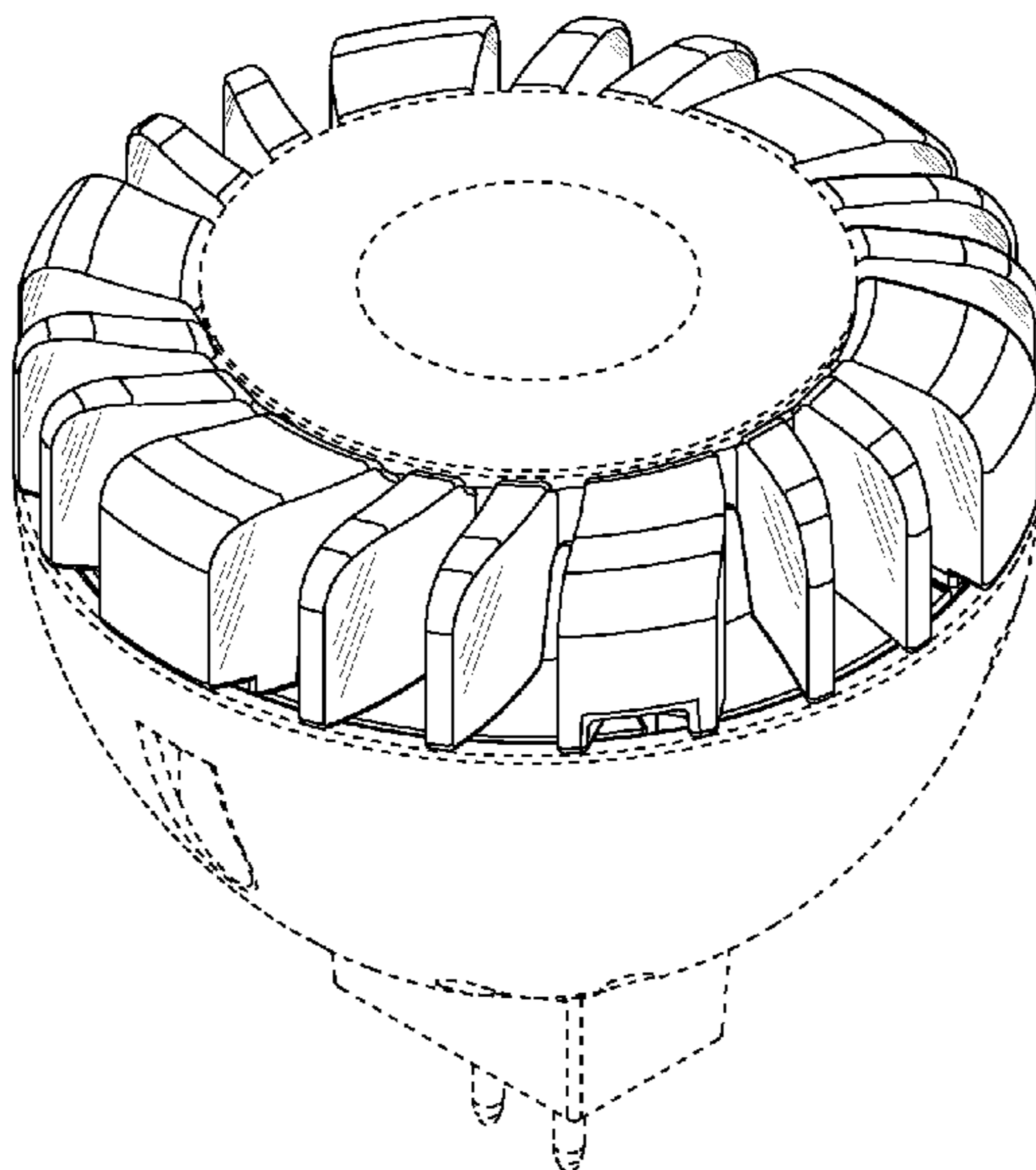
The broken lines immediately adjacent to the shaded areas
represent the bounds of the claimed design while all other
broken lines are directed to environment and are for illustra-
tive purposes only; the broken lines form no part of the
claimed design.

(56) **References Cited**

U.S. PATENT DOCUMENTS

D530,836 S * 10/2006 Johnson D26/2
D538,951 S 3/2007 Maxik et al.
D545,457 S * 6/2007 Chen D26/2
D551,784 S * 9/2007 Krieglmeyer et al. D26/2
D560,286 S 1/2008 Maxik et al.
D572,385 S * 7/2008 Mazzochette et al. D26/2
D584,837 S 1/2009 Mazzochette et al.
D599,920 S * 9/2009 Pei et al. D26/2

1 Claim, 6 Drawing Sheets



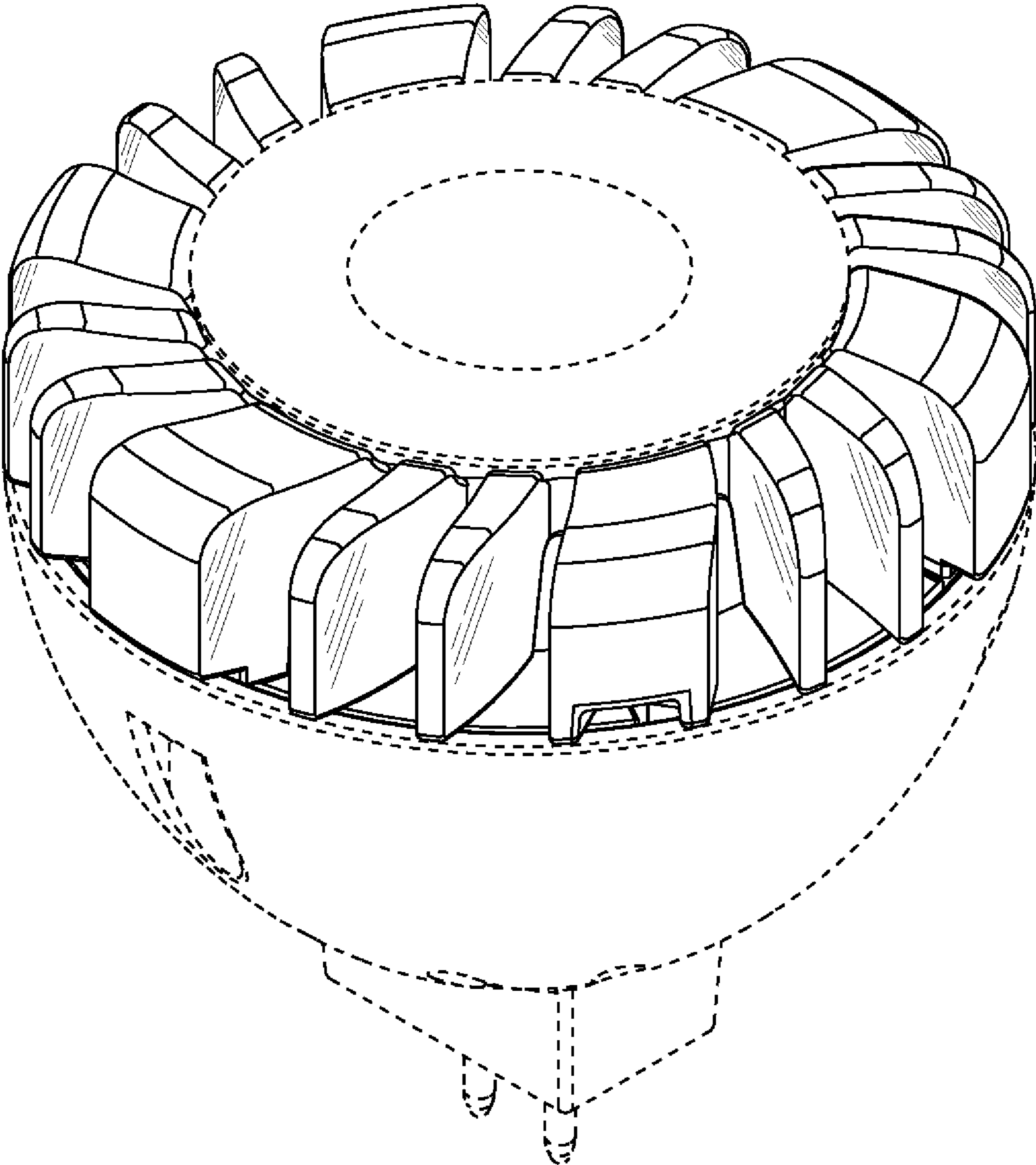


FIG. 1

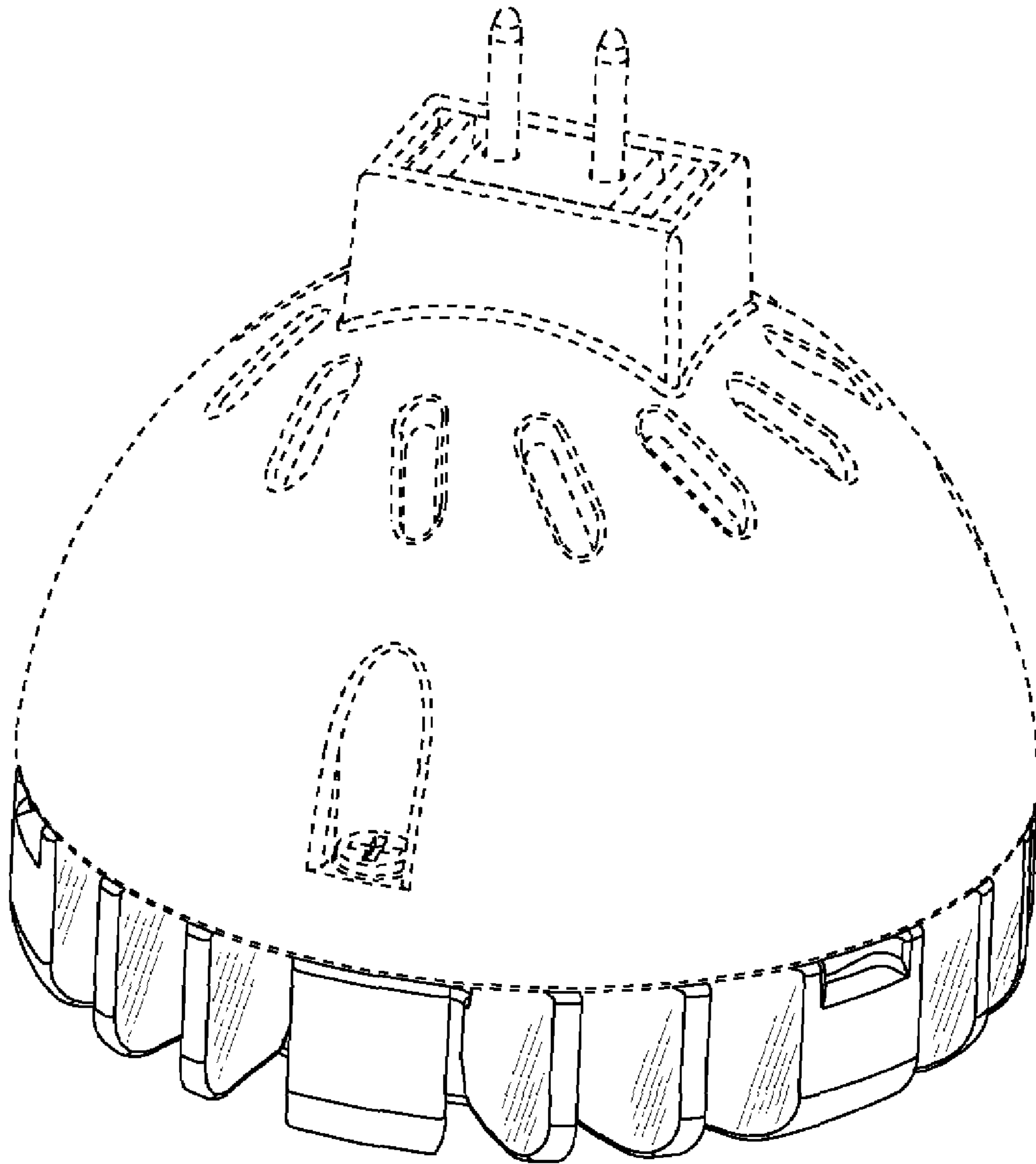


FIG. 2

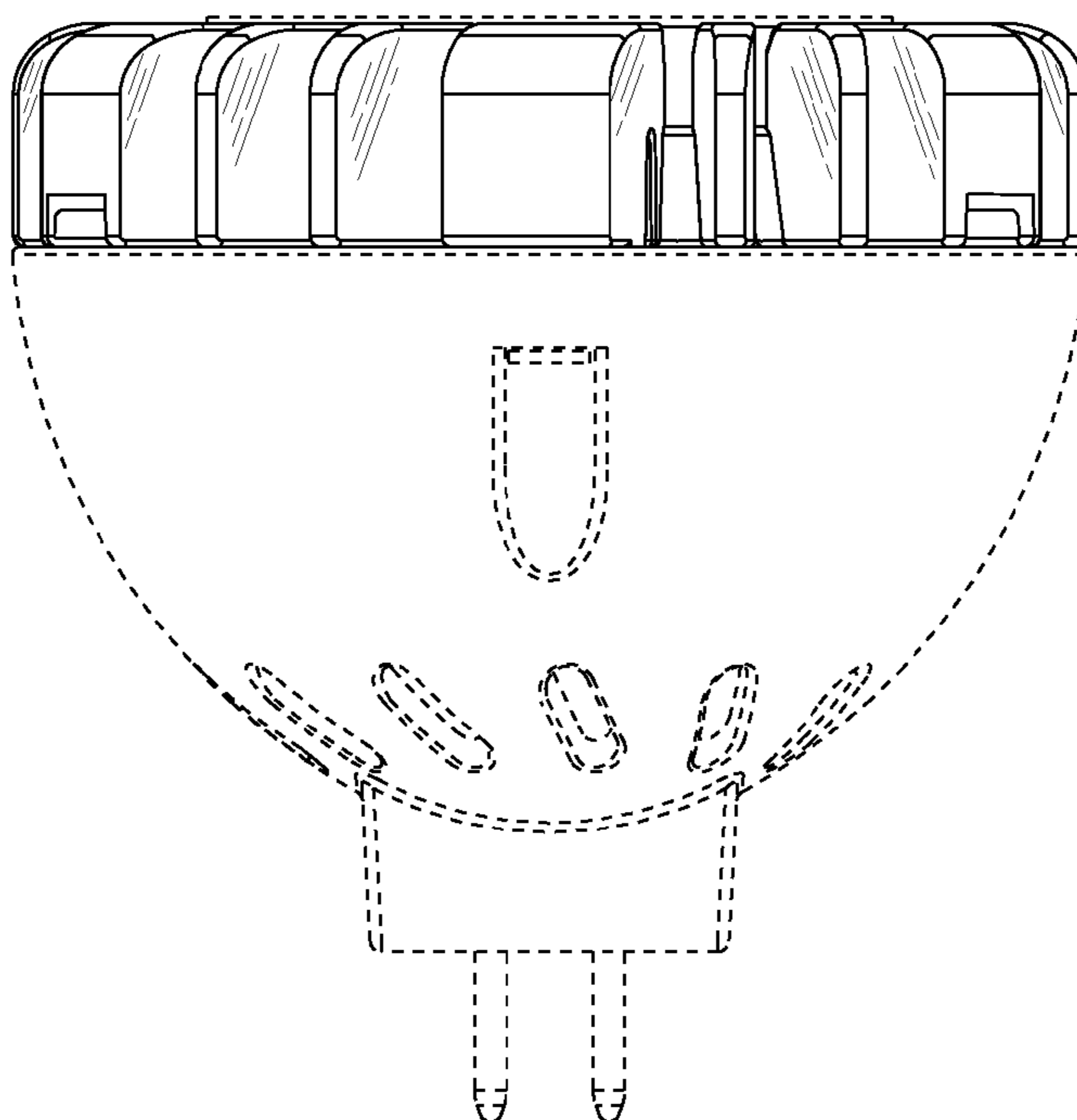


FIG. 3

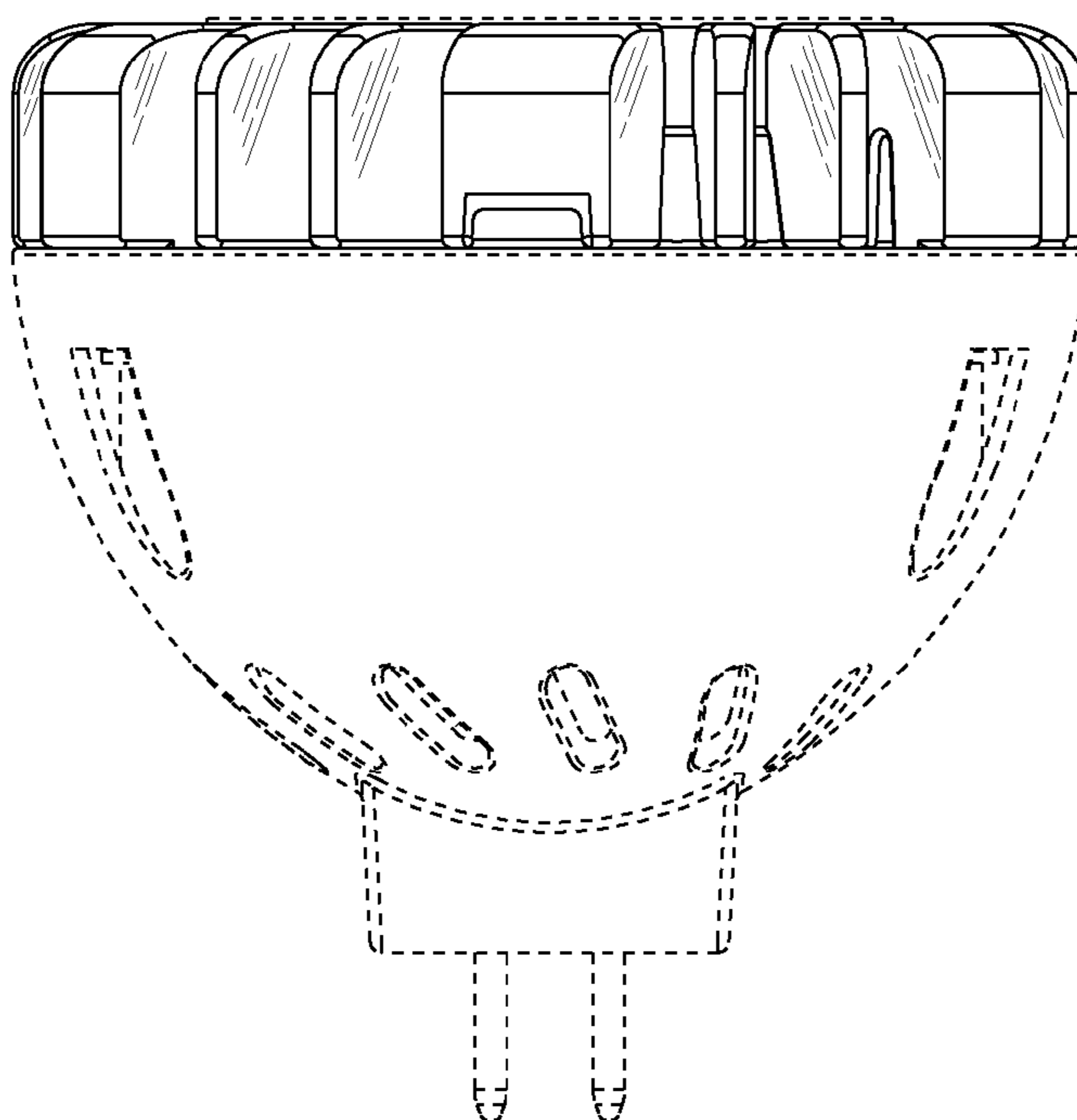


FIG. 4

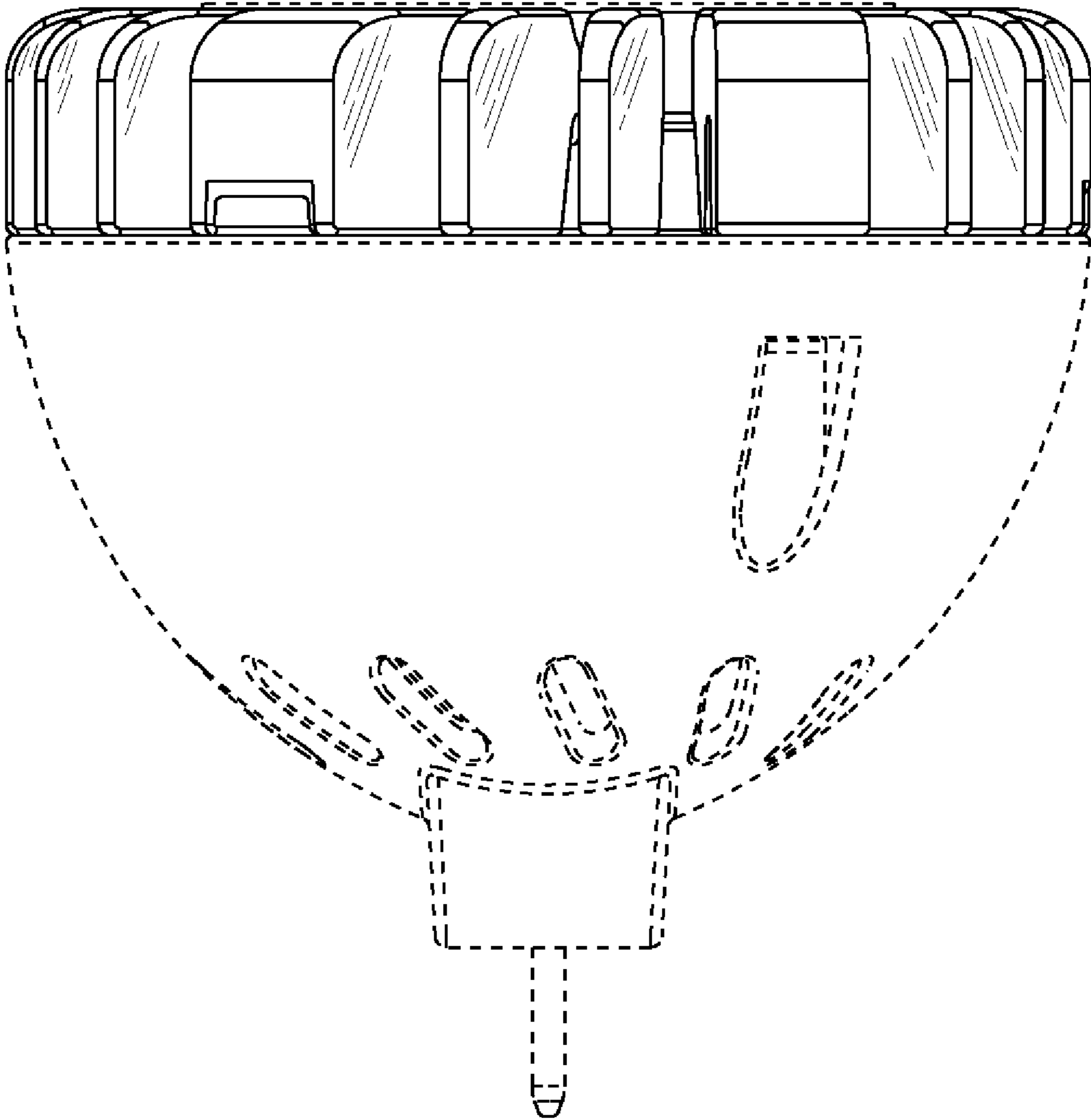


FIG. 5

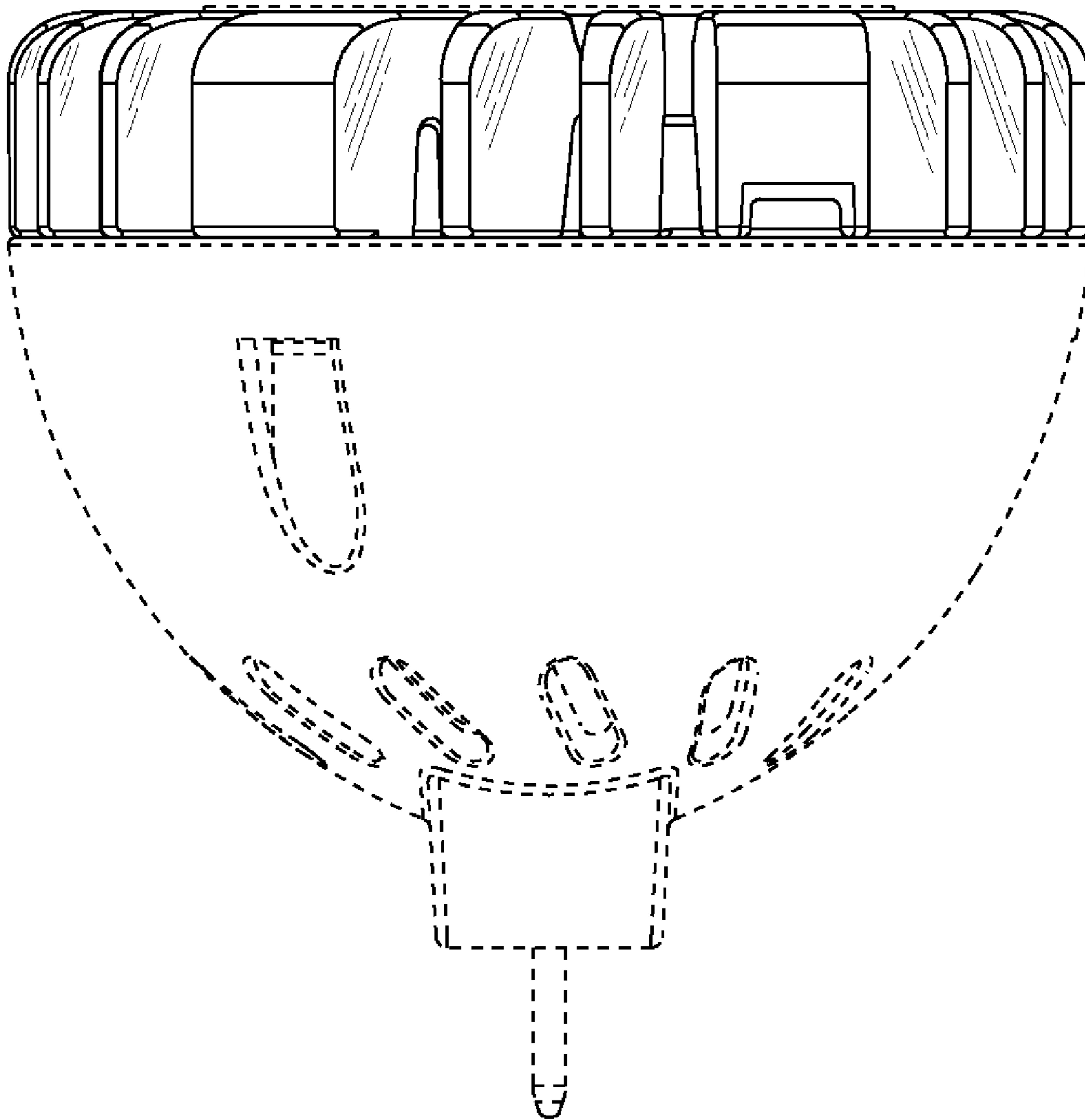


FIG. 6

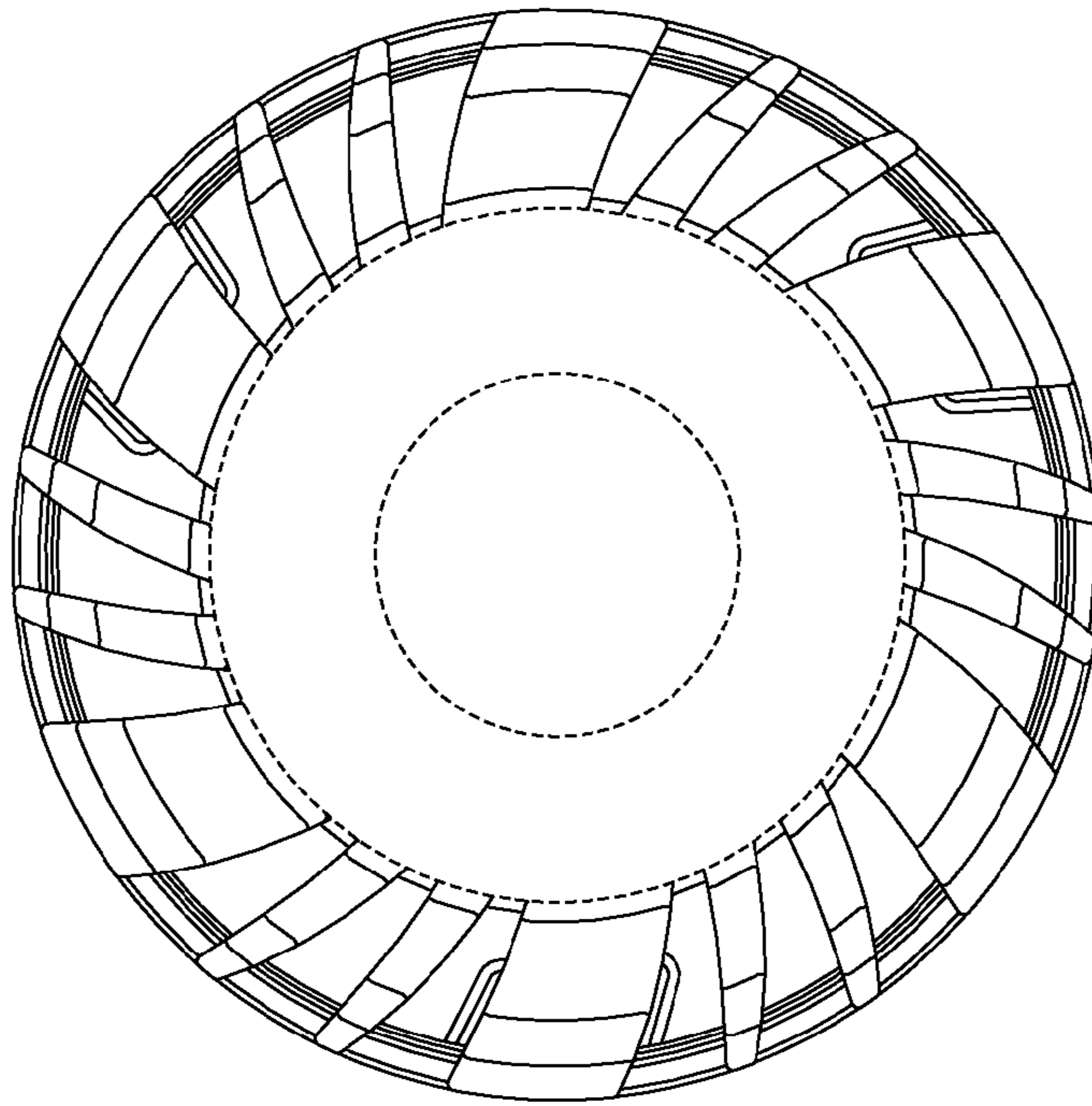


FIG. 7

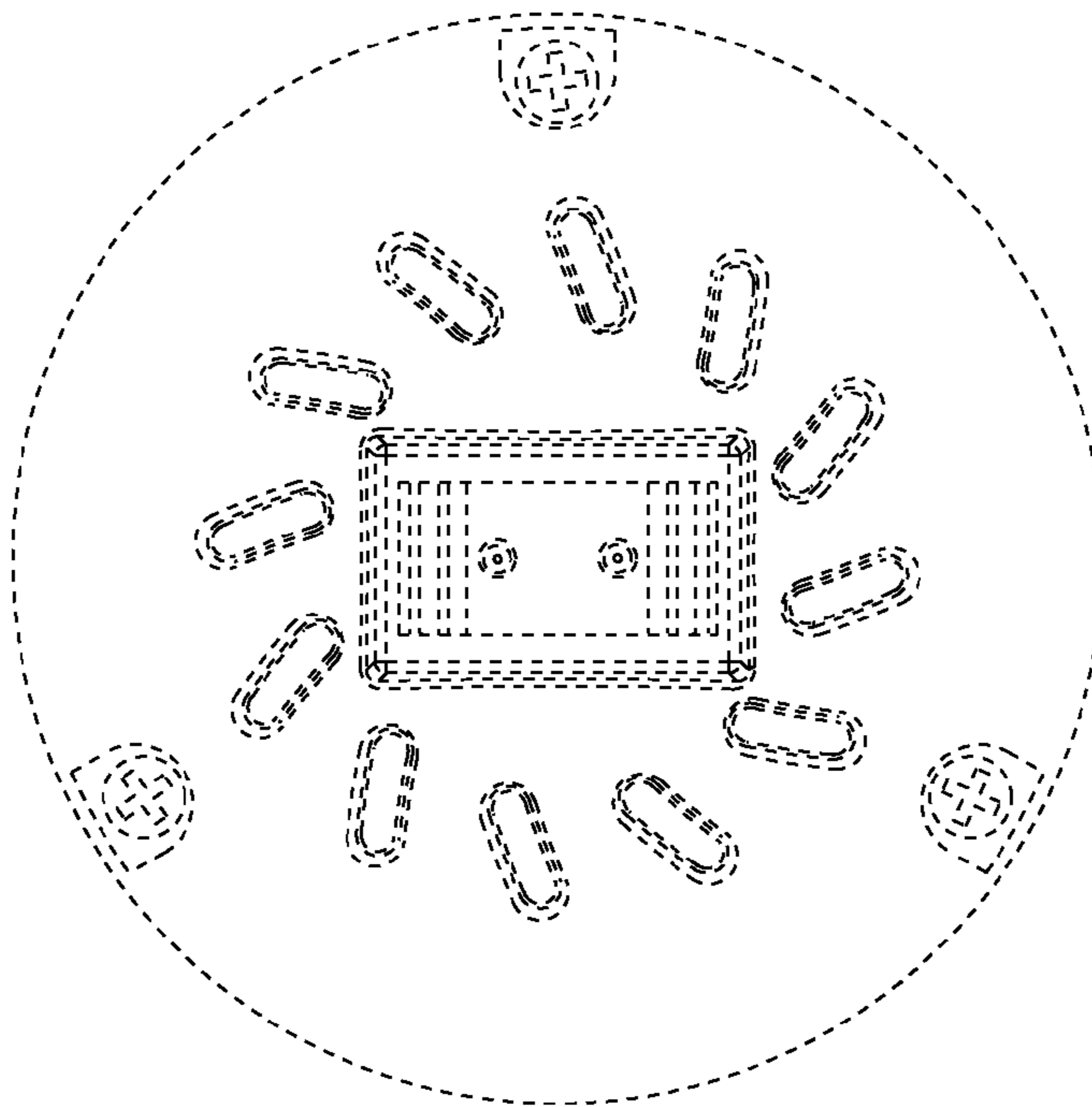


FIG. 8