



US00D617011S

(12) **United States Design Patent**
Guffey

(10) **Patent No.:** **US D617,011 S**
(45) **Date of Patent:** **** Jun. 1, 2010**

(54) **RAIN SCREEN SYSTEM**

(75) Inventor: **James King Guffey**, Perry, KS (US)

(73) Assignee: **Wood Haven, Inc.**, Perry, KS (US)

(**) Term: **14 Years**

(21) Appl. No.: **29/317,480**

(22) Filed: **Apr. 30, 2008**

(51) **LOC (9) Cl.** **25-01**

(52) **U.S. Cl.** **D25/139**

(58) **Field of Classification Search** D25/138–139,
D25/121, 141; 52/273, 311.2, 314, 518,
52/546–547, 557, 604, 698

See application file for complete search history.

(56) **References Cited**

U.S. PATENT DOCUMENTS

1,931,709	A *	10/1933	Schaffert	52/314
2,659,323	A	11/1953	Alvarez, Jr.		
3,015,193	A	1/1962	Amoruso		
3,174,256	A	3/1965	Lockwood		
3,237,360	A	3/1966	Mills		
3,261,136	A	7/1966	Abner et al.		
4,506,486	A *	3/1985	Culpepper et al.	52/529
5,501,050	A	3/1996	Ruel		
6,195,952	B1 *	3/2001	Culpepper et al.	52/522
6,598,362	B2	7/2003	Hikai		
6,786,804	B2	9/2004	Watanabe		
D530,833	S *	10/2006	Robertson et al.	D25/121
2002/0046536	A1	4/2002	Hotta		
2004/0111993	A1 *	6/2004	Hollman	52/384
2008/0216430	A1 *	9/2008	Gleeson et al.	52/506.1
2009/0249721	A1 *	10/2009	Cullen	52/309.3

* cited by examiner

Primary Examiner—T. Chase Nelson
Assistant Examiner—Kathleen M Sims
(74) *Attorney, Agent, or Firm*—Hovey Williams LLP

(57) **CLAIM**

I claim, the ornamental design for a rain screen system, as shown and described.

DESCRIPTION

FIG. 1 is a front perspective view of a first embodiment of a rain screen system showing my new design;

FIG. 2 is a rear perspective view thereof;

FIG. 3 is a top view thereof;

FIG. 4 is a front view thereof;

FIG. 5 is a rear view thereof;

FIG. 6 is a bottom view thereof; and

FIG. 7 is a side view thereof.

FIG. 8 is a front perspective view of a second embodiment of a rain screen system showing my new design;

FIG. 9 is a rear perspective view thereof;

FIG. 10 is a top view thereof;

FIG. 11 is a front view thereof;

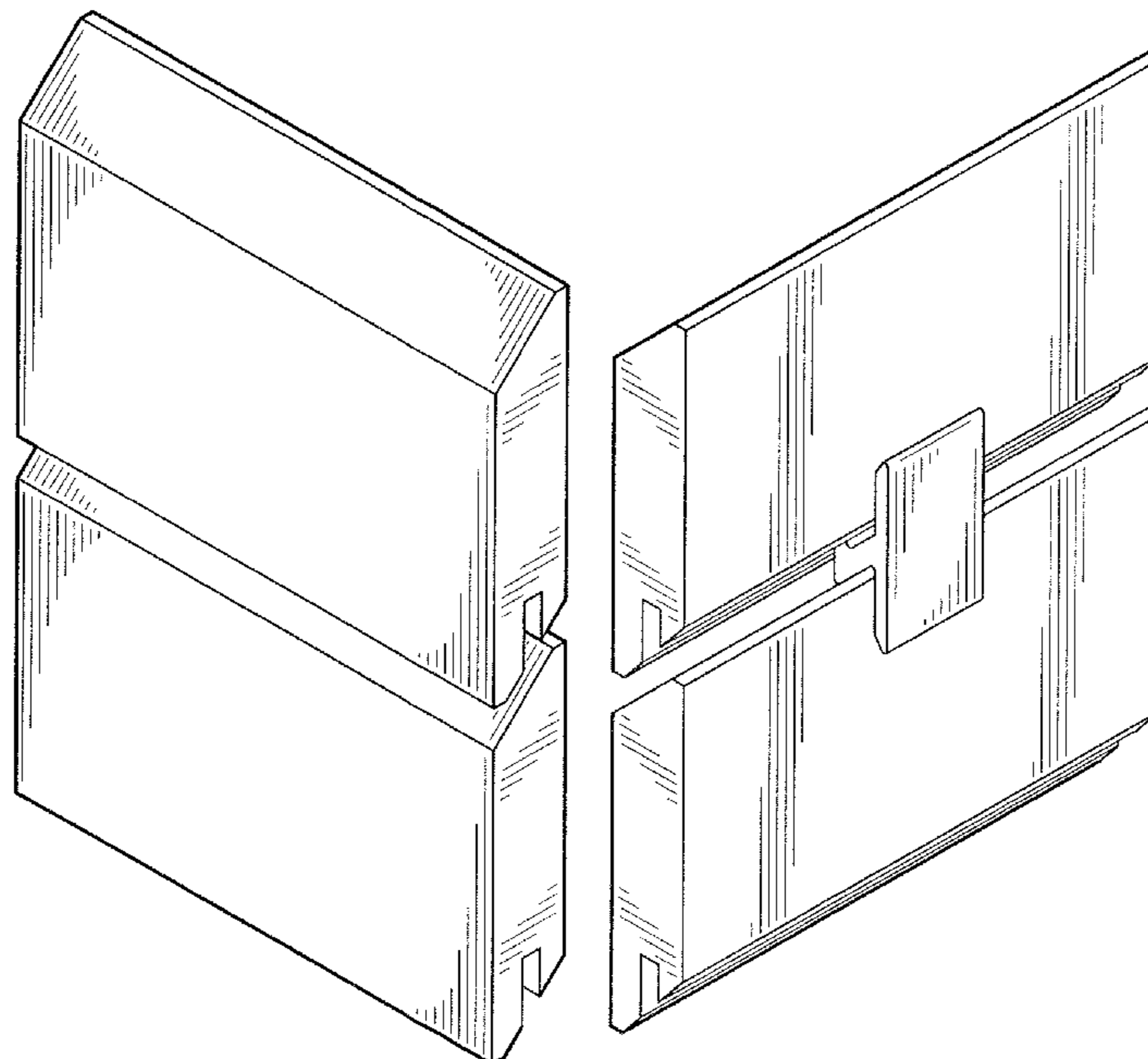
FIG. 12 is a rear view thereof;

FIG. 13 is a bottom view thereof; and,

FIG. 14 is a side view thereof.

The broken line showing of a rain screen clip in FIGS. 8–14 is included for the purpose of showing environmental portions of the rain screen system and forms no part of the claimed design.

1 Claim, 8 Drawing Sheets



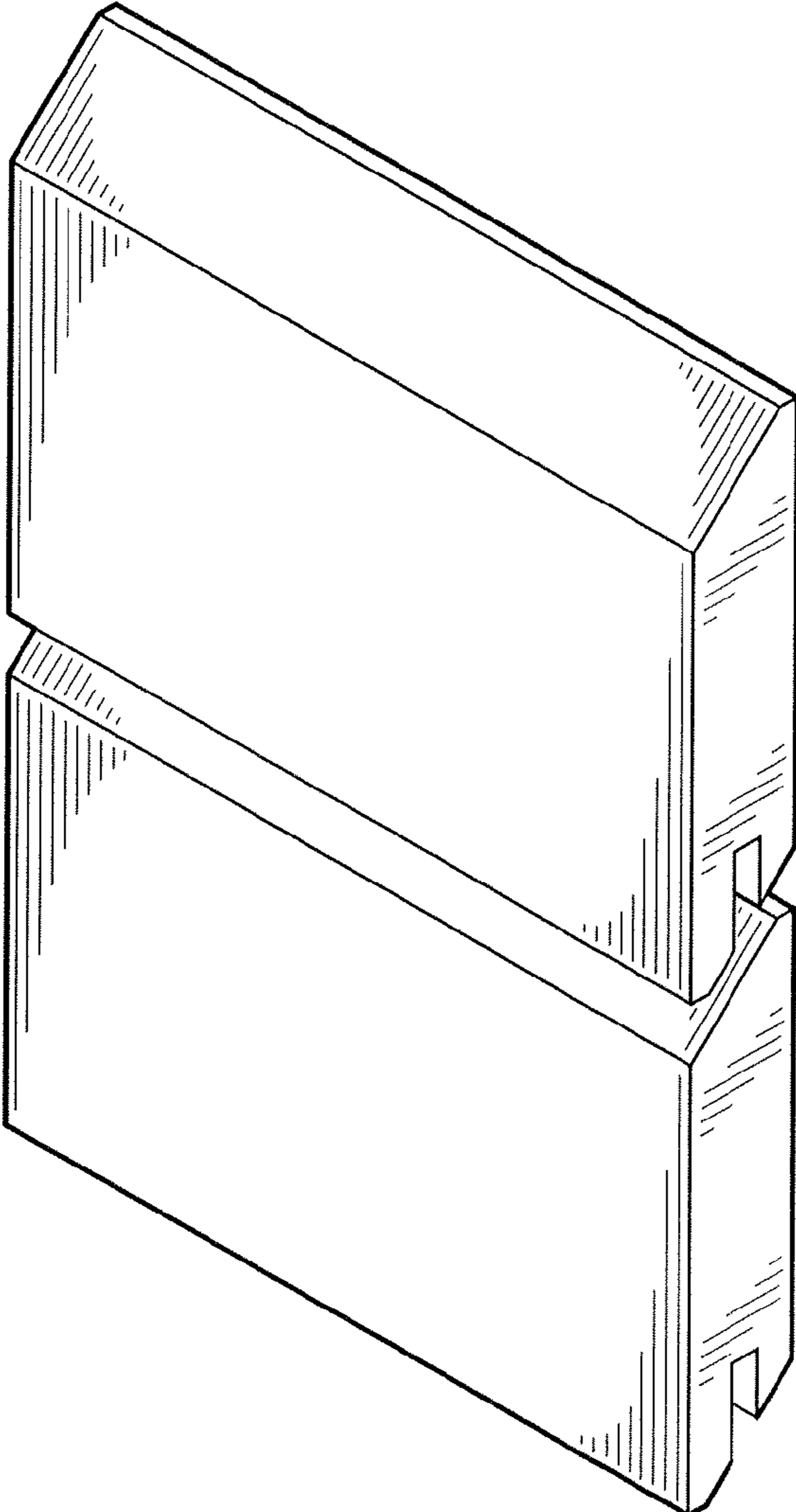


Fig. 1

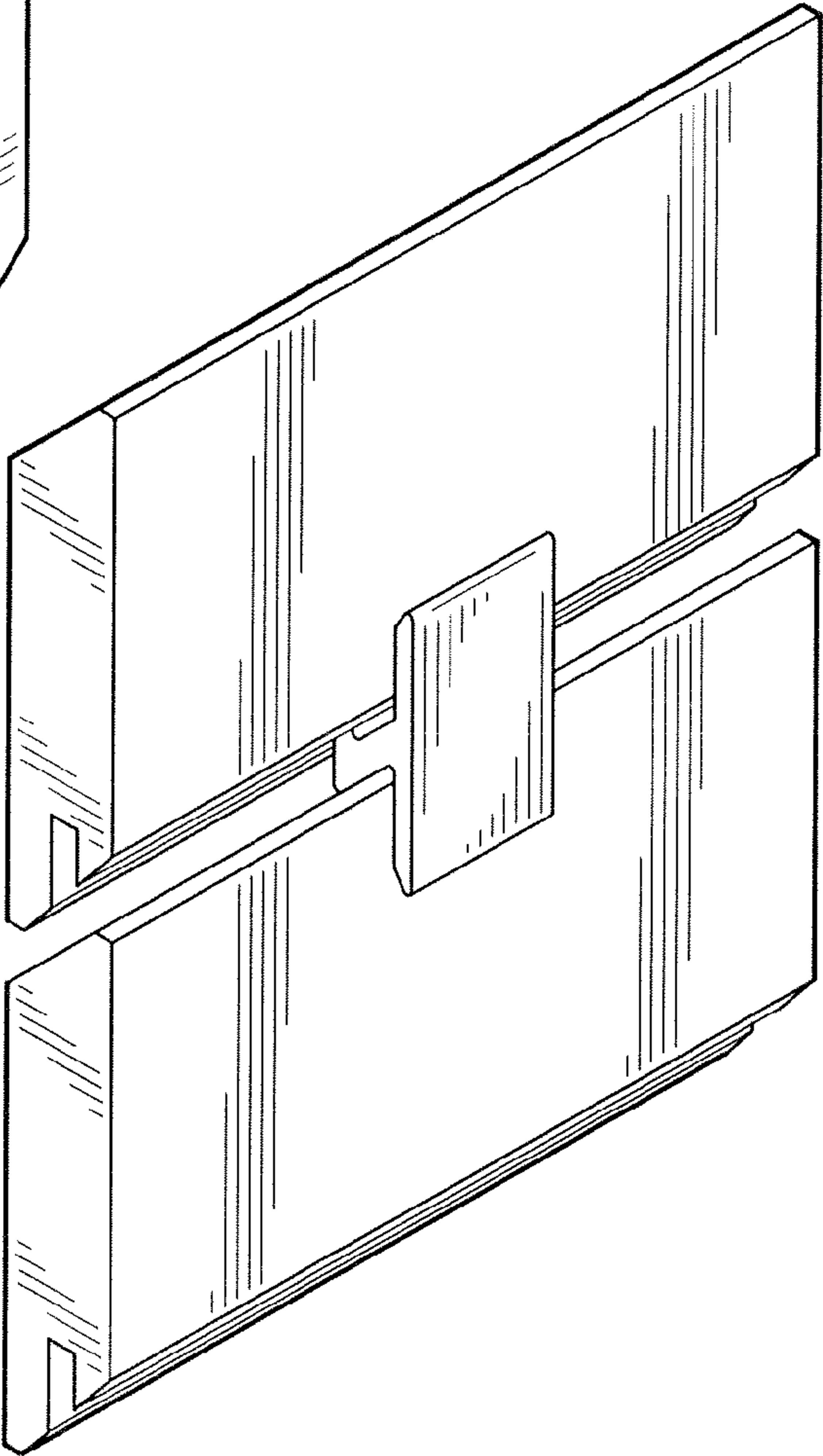


Fig. 2

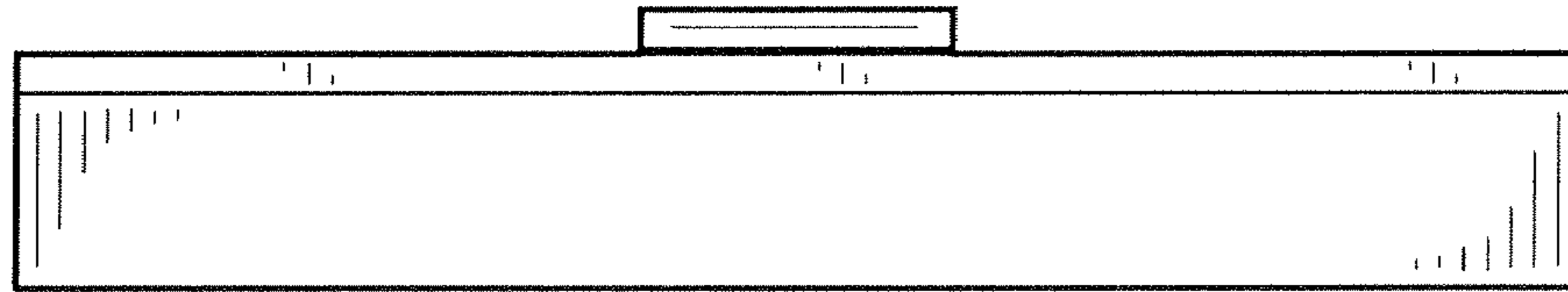


Fig. 3

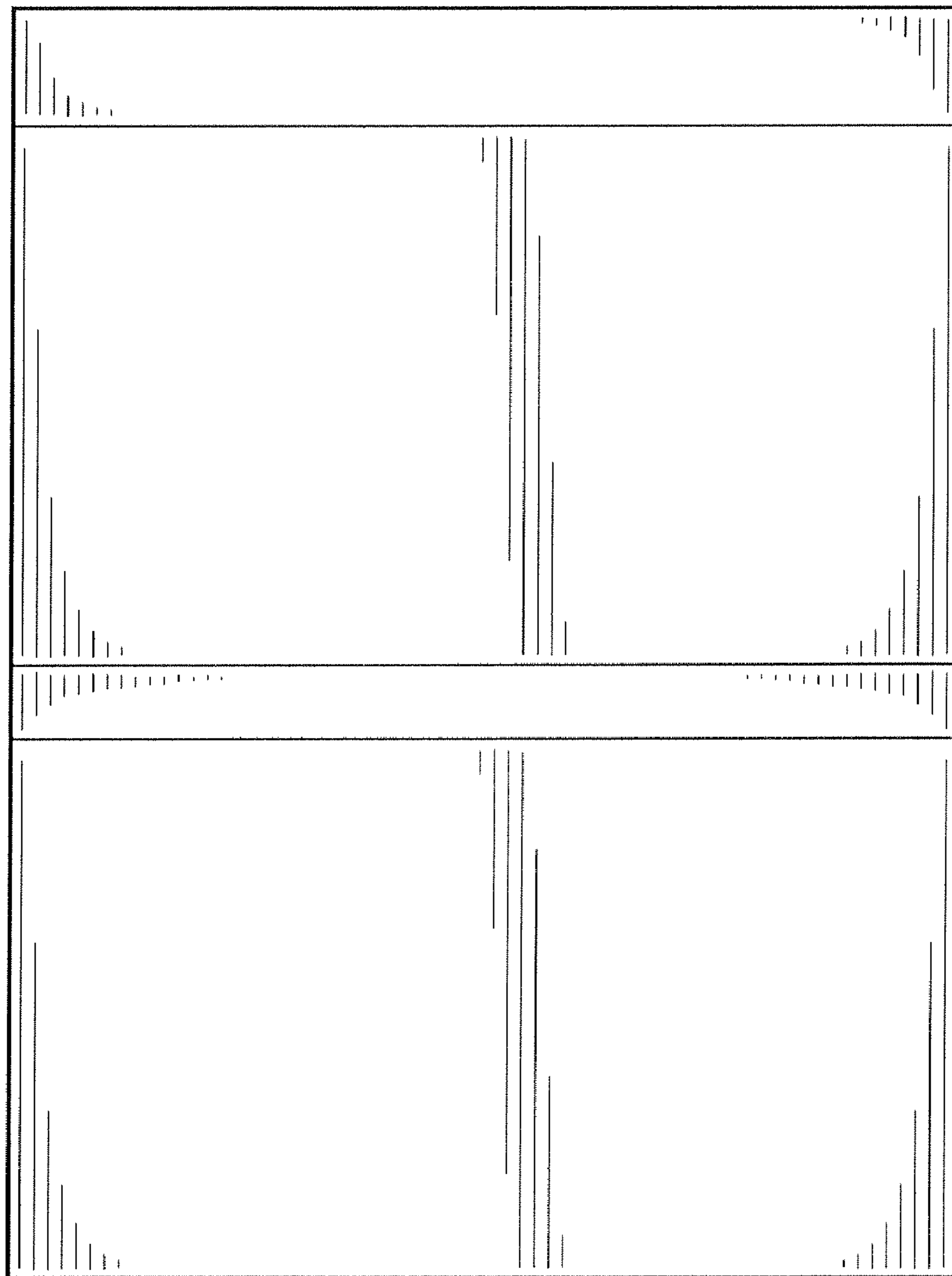


Fig. 4

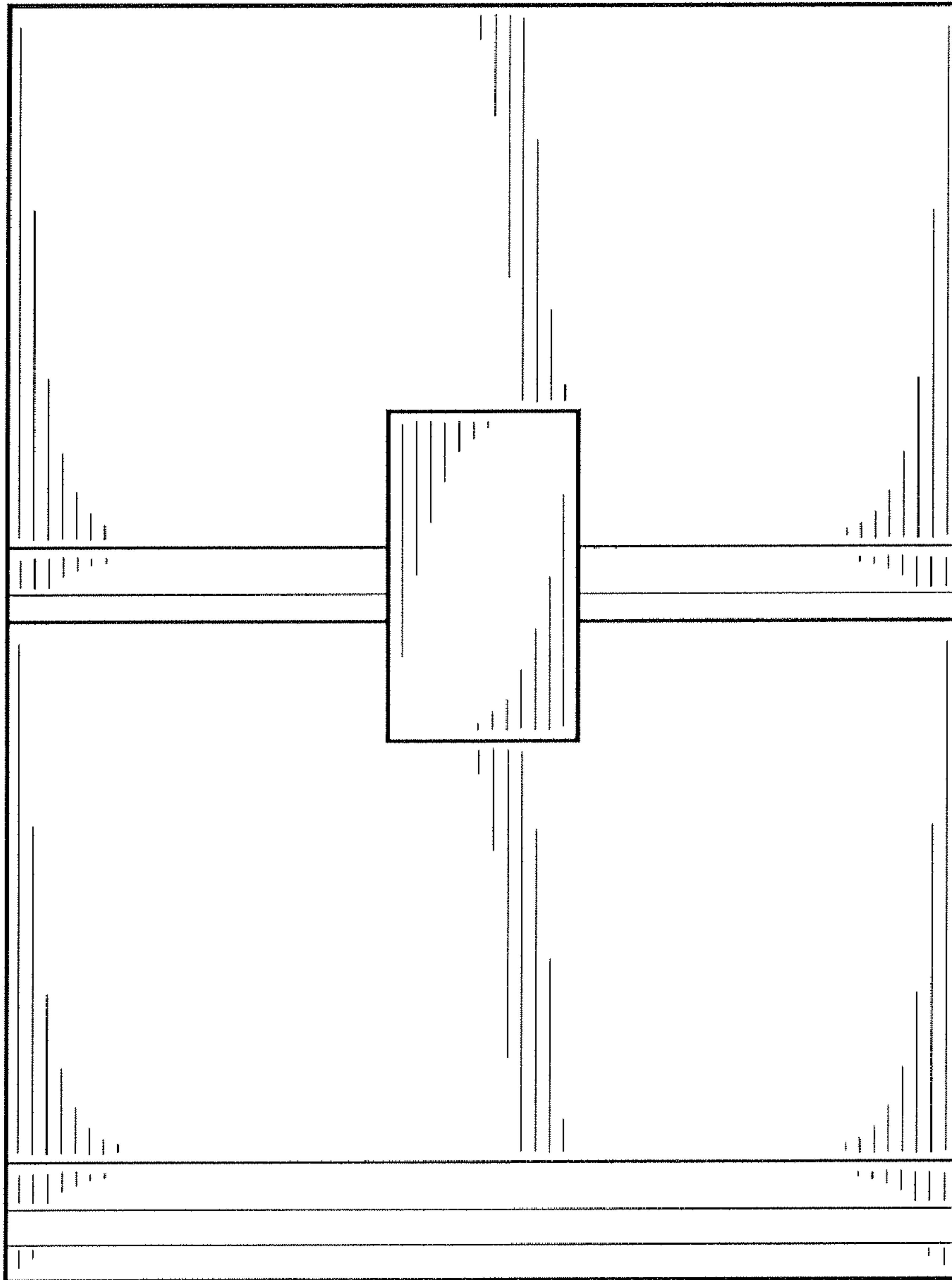


Fig. 5

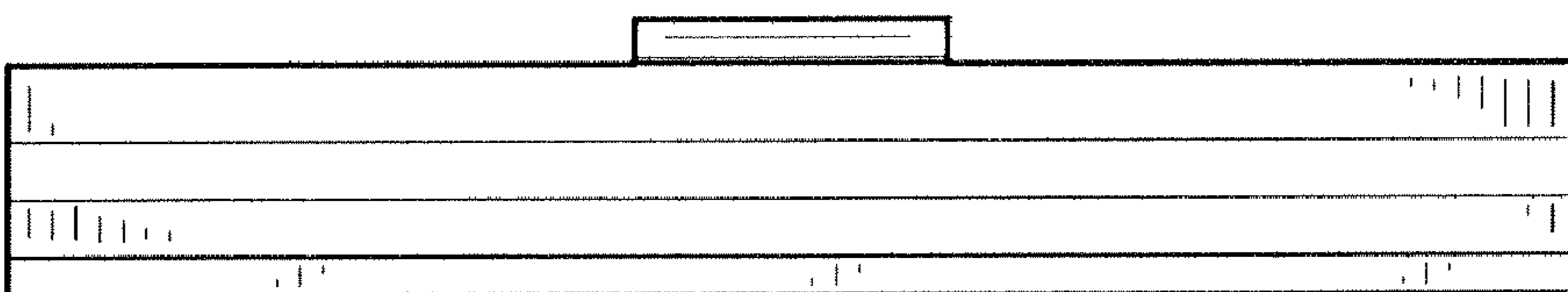


Fig. 6

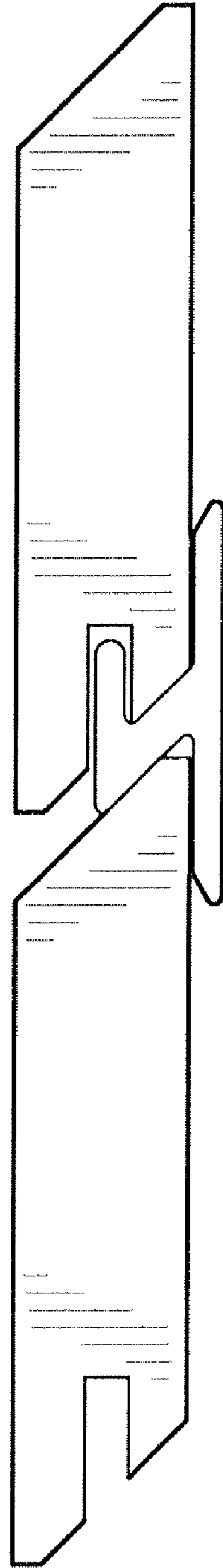


Fig. 7

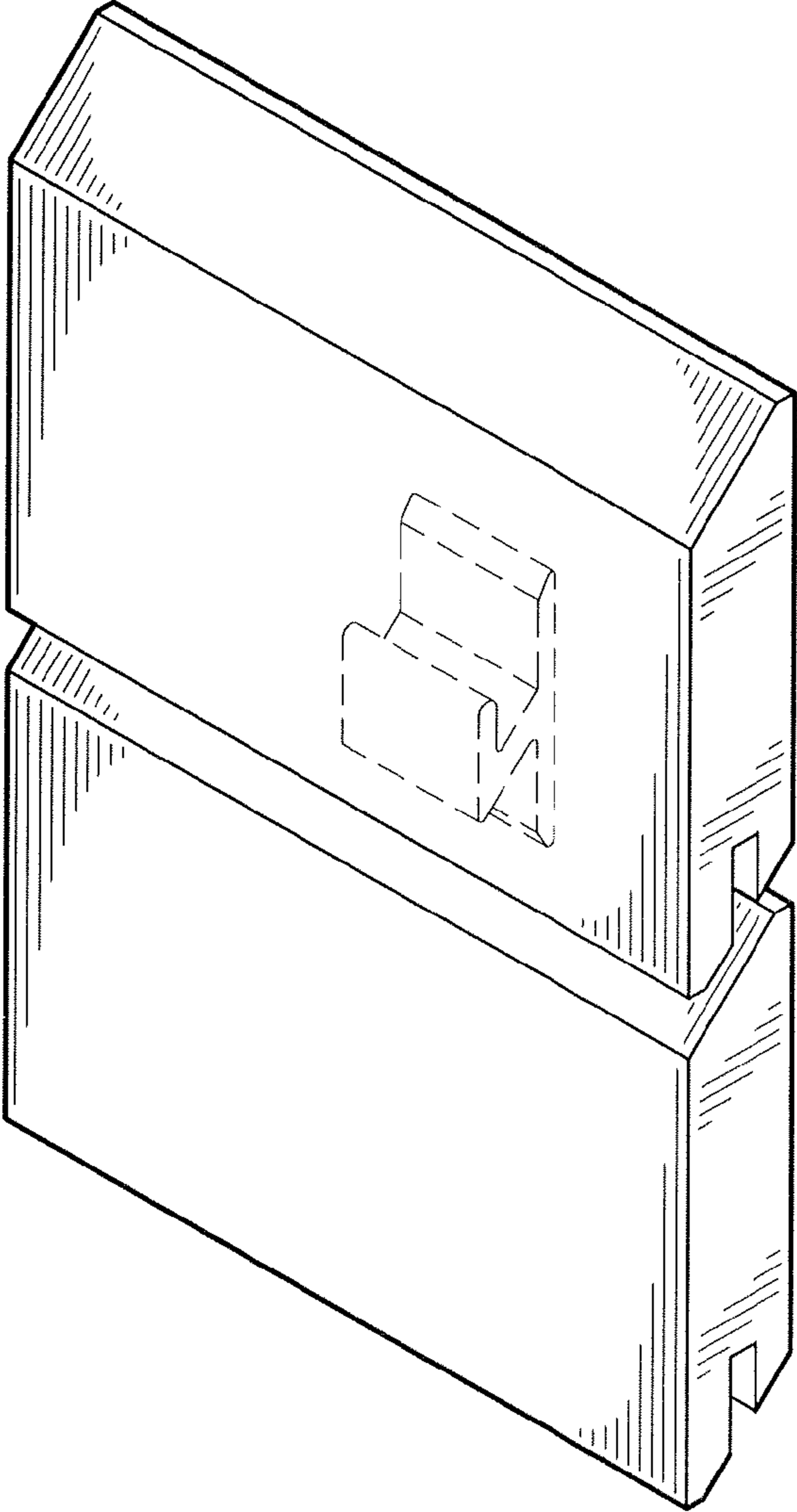


Fig. 8

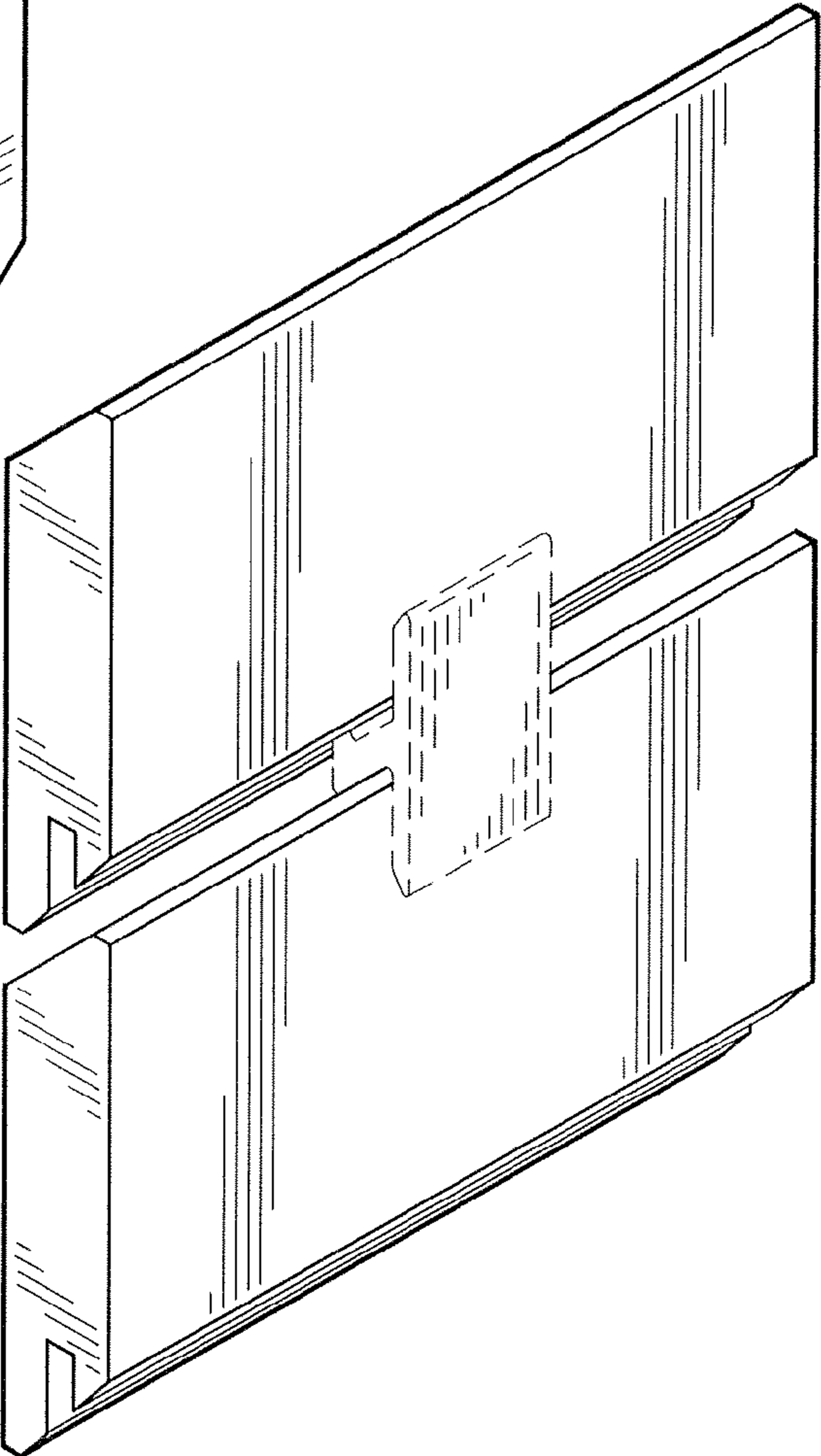


Fig. 9

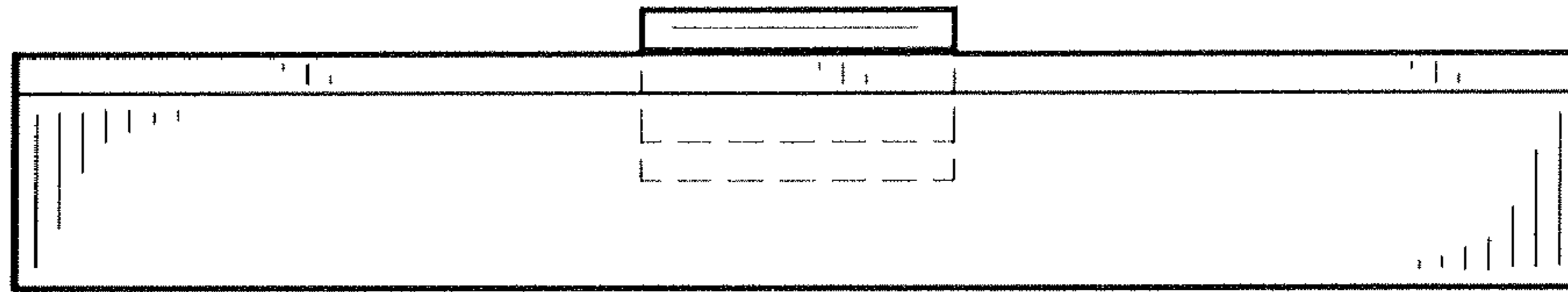


Fig. 10

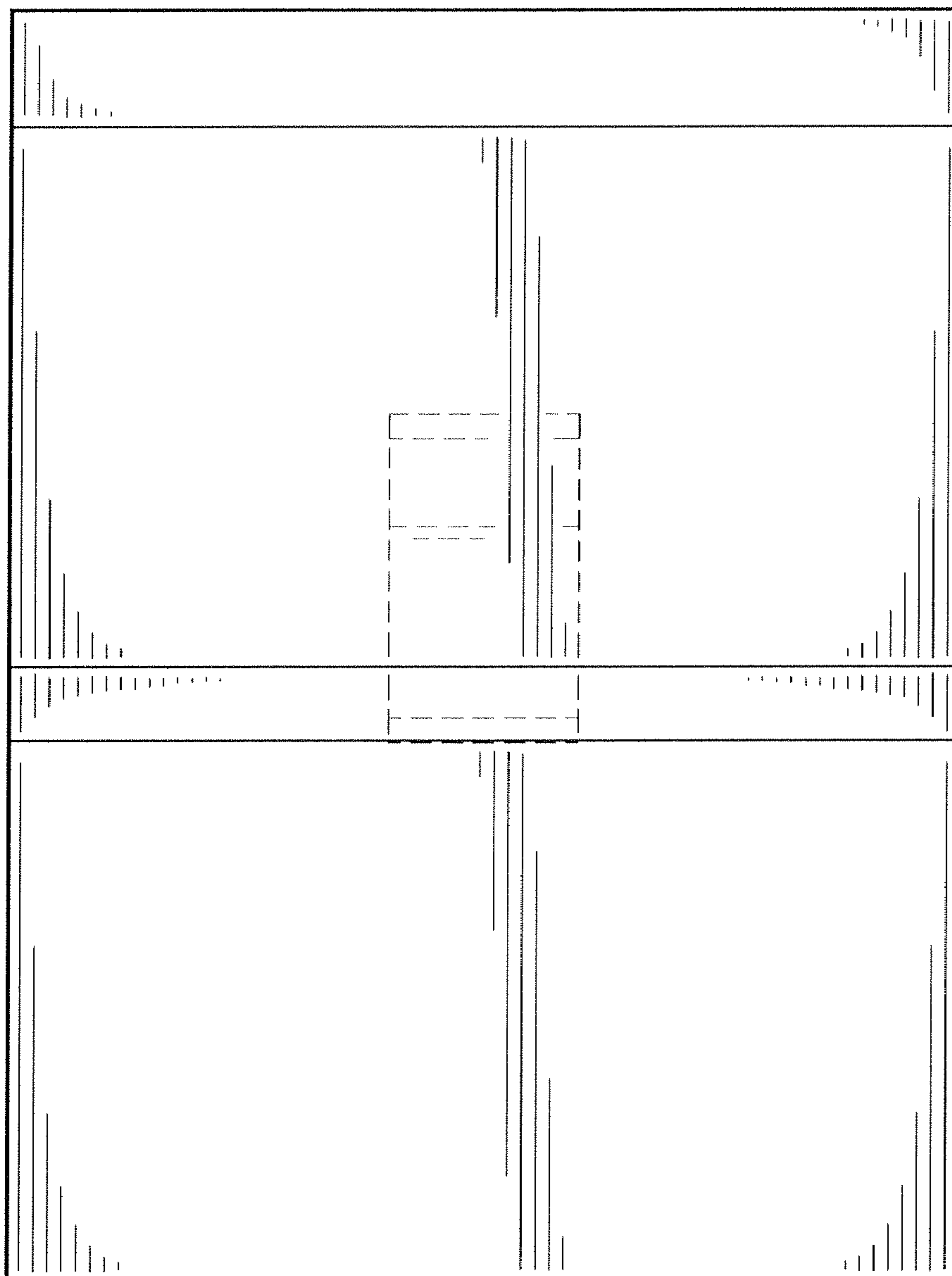


Fig. 11

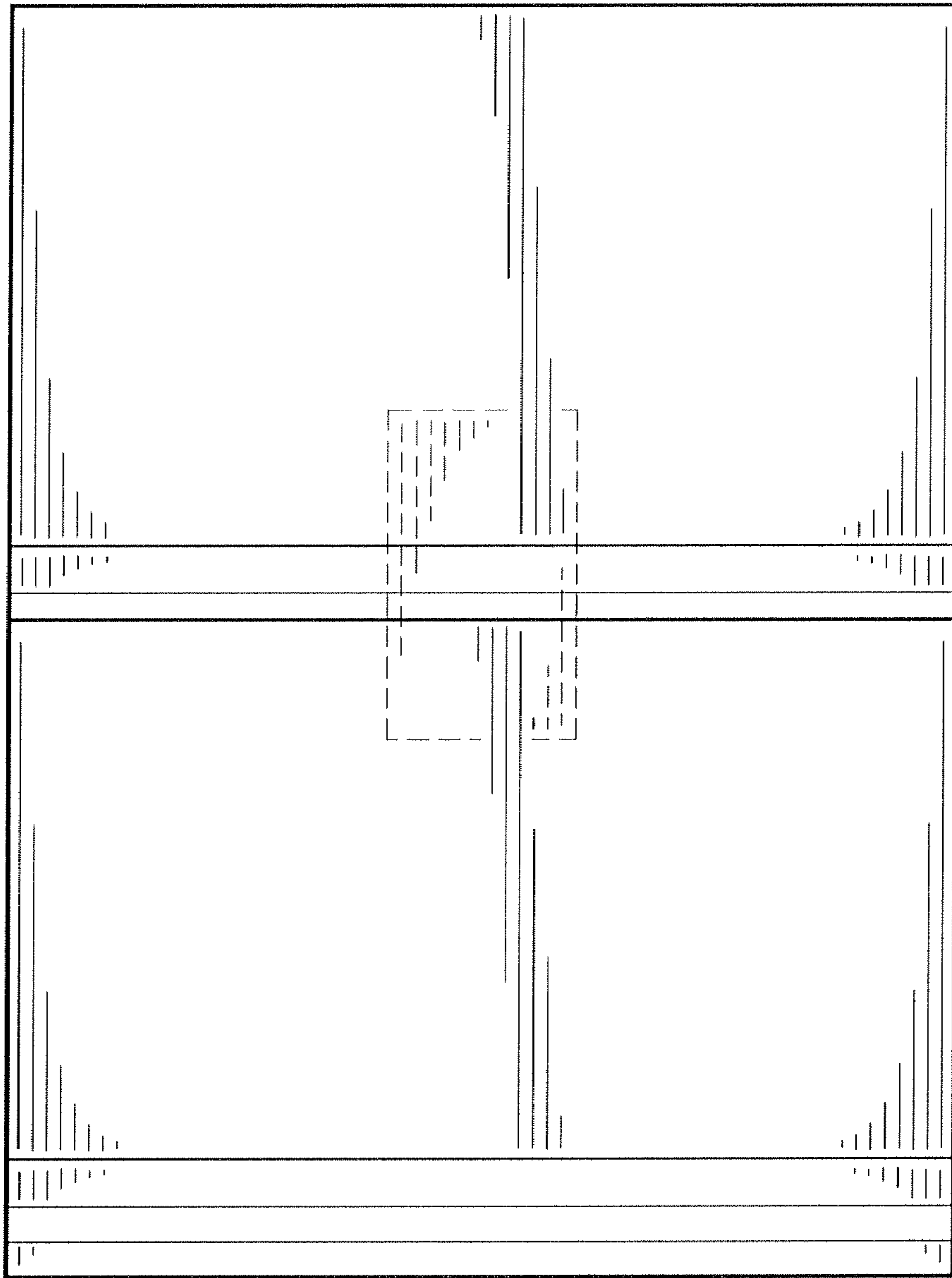


Fig. 12

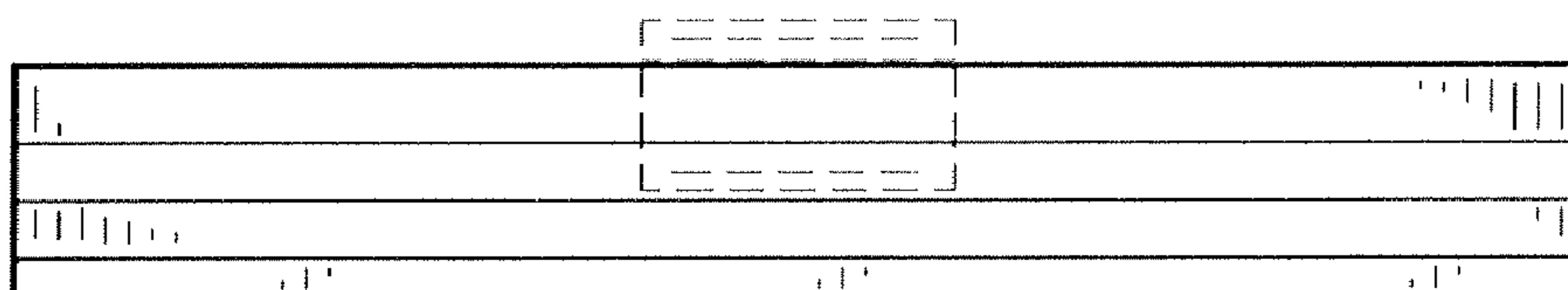


Fig. 13

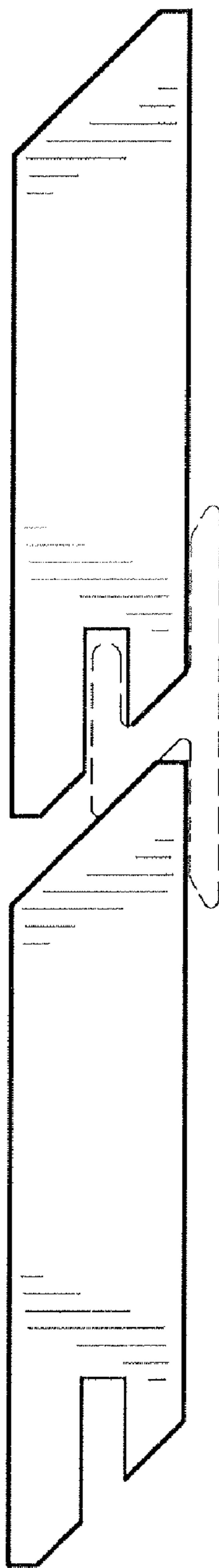


Fig. 14