



US00D617009S

(12) **United States Design Patent**
Lemings et al.

(10) **Patent No.:** **US D617,009 S**
(45) **Date of Patent:** **** Jun. 1, 2010**

(54) **BRACE TIE FOR A CONCRETE FORM**

(76) Inventors: **Burvel E. Lemings**, 5805 S. 455 E.,
Wolcottville, IN (US) 46795; **Terry A. Zimmer**, 2632 W. 1150 S., Union Mills,
IN (US) 46382

(**) Term: **14 Years**

(21) Appl. No.: **29/308,951**

(22) Filed: **Jul. 17, 2008**

(51) **LOC (9) Cl.** **25-01**

(52) **U.S. Cl.** **D25/102**

(58) **Field of Classification Search** D25/102,
D25/112-118, 119, 164; D21/484-491,
D21/499-502; 405/16, 17, 33, 35, 284, 286;
52/503-505, 574, 575, 596-605, 609-612,
52/288.1; 404/29-31; D8/384

See application file for complete search history.

(56) **References Cited**

U.S. PATENT DOCUMENTS

3,286,428 A	11/1966	Kay	
3,877,236 A *	4/1975	O'Neill et al.	405/273
4,604,843 A	8/1986	Ott et al.	
4,706,429 A	11/1987	Young	
4,730,422 A	3/1988	Young	
D299,069 S *	12/1988	Risi et al.	D25/157
D299,170 S *	12/1988	Meheen	D25/58
D300,863 S *	4/1989	McNeely	D25/113
4,852,317 A	8/1989	Schiavello et al.	
4,879,855 A	11/1989	Berrenberg	
4,889,310 A	12/1989	Boeshart	
4,901,494 A	2/1990	Miller et al.	
4,936,540 A	6/1990	Boeshart	
5,065,561 A	11/1991	Mason	
D331,116 S *	11/1992	Stuart	D25/119
5,390,459 A	2/1995	Mensen	
5,454,199 A	10/1995	Blom et al.	
5,459,971 A	10/1995	Sparkman	
D367,086 S *	2/1996	Chesler et al.	D21/484
5,491,949 A	2/1996	De Moor	
5,566,518 A	10/1996	Martin et al.	

5,568,710 A	10/1996	Smith et al.
5,570,552 A	11/1996	Nehring
5,611,183 A	3/1997	Kim
5,617,693 A	4/1997	Hefner
5,657,600 A	8/1997	Mensen
5,701,710 A	12/1997	Tremelling
5,704,180 A	1/1998	Boeck
5,709,060 A	1/1998	Vaughan et al.
5,735,093 A	4/1998	Grutsch
5,803,669 A	9/1998	Bullard
5,809,728 A	9/1998	Tremelling

(Continued)

Primary Examiner—T. Chase Nelson
Assistant Examiner—Anhdao Doan
(74) *Attorney, Agent, or Firm*—Maginot, Moore & Beck

(57) **CLAIM**

The ornamental design for a brace tie for a concrete form, as shown and described.

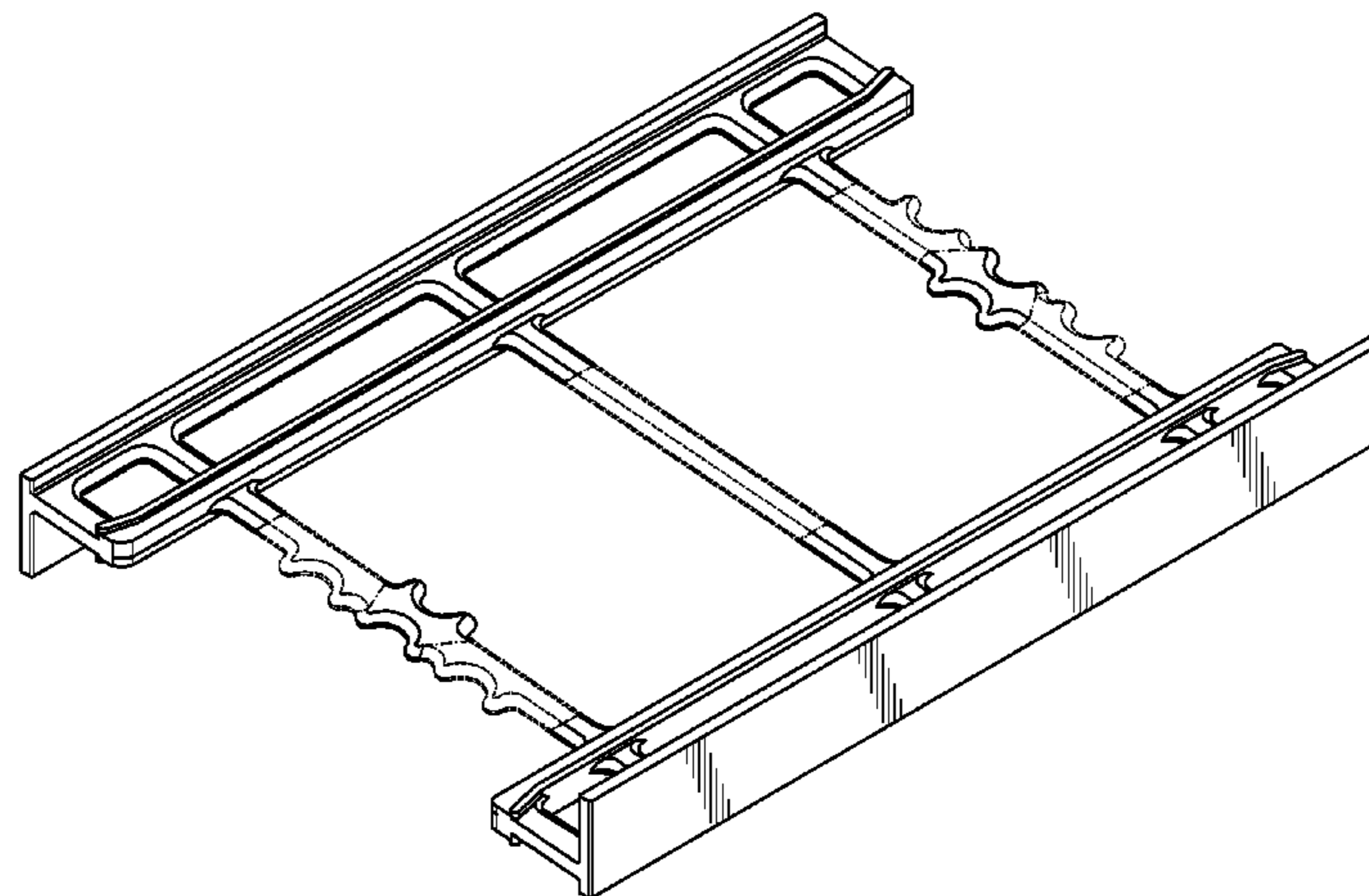
DESCRIPTION

FIG. 1 is a perspective view of a brace tie for a concrete form showing our new design;
FIG. 2 is a front elevational view thereof;
FIG. 3 is a rear elevational view thereof;
FIG. 4 is a top plan view thereof;
FIG. 5 is a bottom plan view thereof;
FIG. 6 is a left side elevational view thereof; and,
FIG. 7 is a right side elevational view thereof.

The broken lines in the drawing views are included for the purpose of illustrating portions of the brace tie for a concrete form that form no part of the claimed design.

The dash-dot lines in the drawing views define the bounds of the claimed design for the brace tie for a concrete form and form no part of the claimed design.

1 Claim, 5 Drawing Sheets



US D617,009 S

Page 2

U.S. PATENT DOCUMENTS

5,845,449	A	12/1998	Vaughan et al.				
5,896,714	A	4/1999	Cymbala et al.				
D411,263	S *	6/1999	Korsholm	D21/502			
6,036,405	A *	3/2000	Nove et al.	405/284			
							* cited by examiner
					6,378,260	B1	4/2002 Williamson et al.
					D516,228	S *	2/2006 Dunbar D25/113
					D579,122	S *	10/2008 McIntosh D25/113
					D586,005	S *	2/2009 Schumaker et al. D25/119

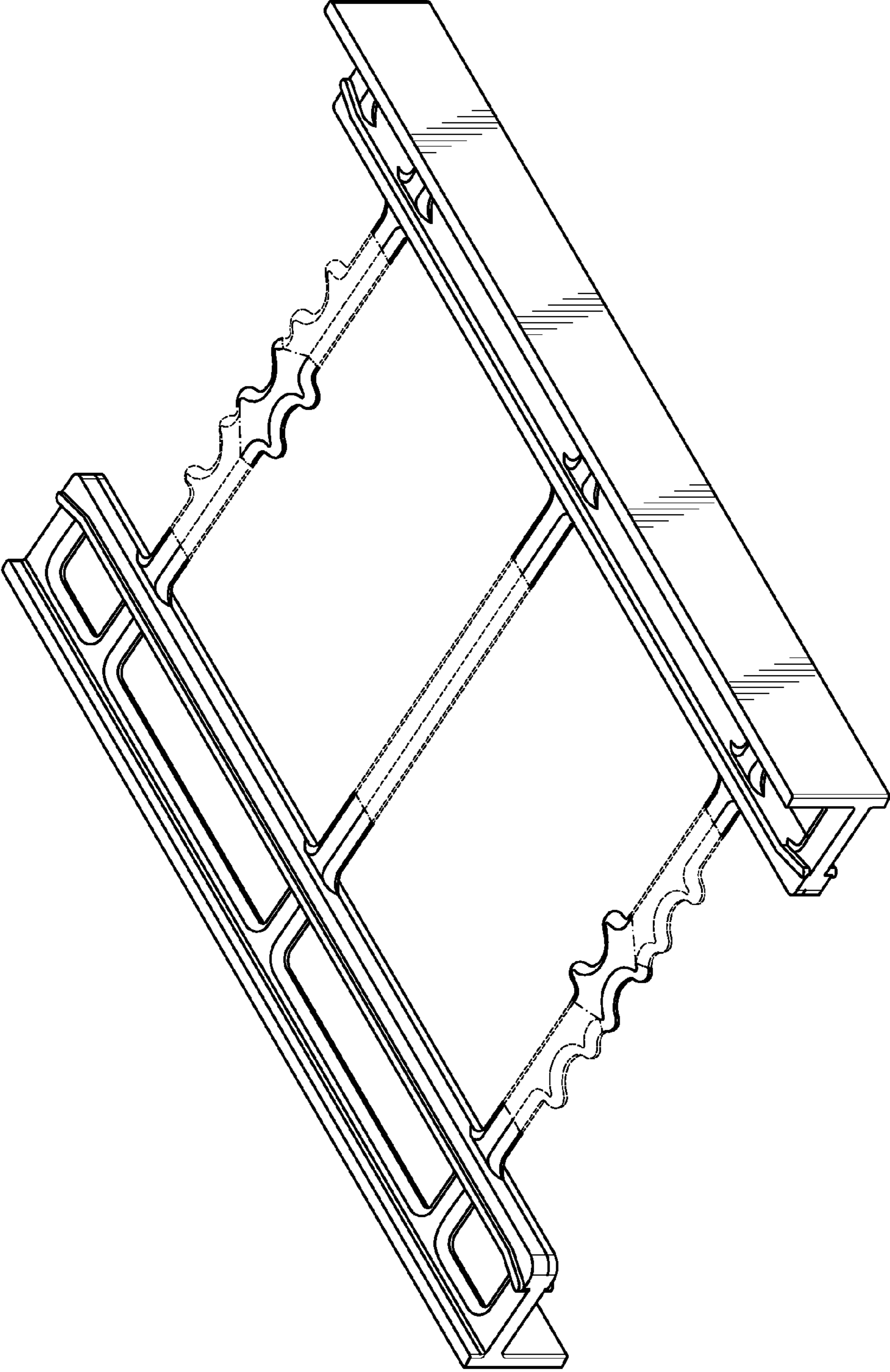


Fig. 1

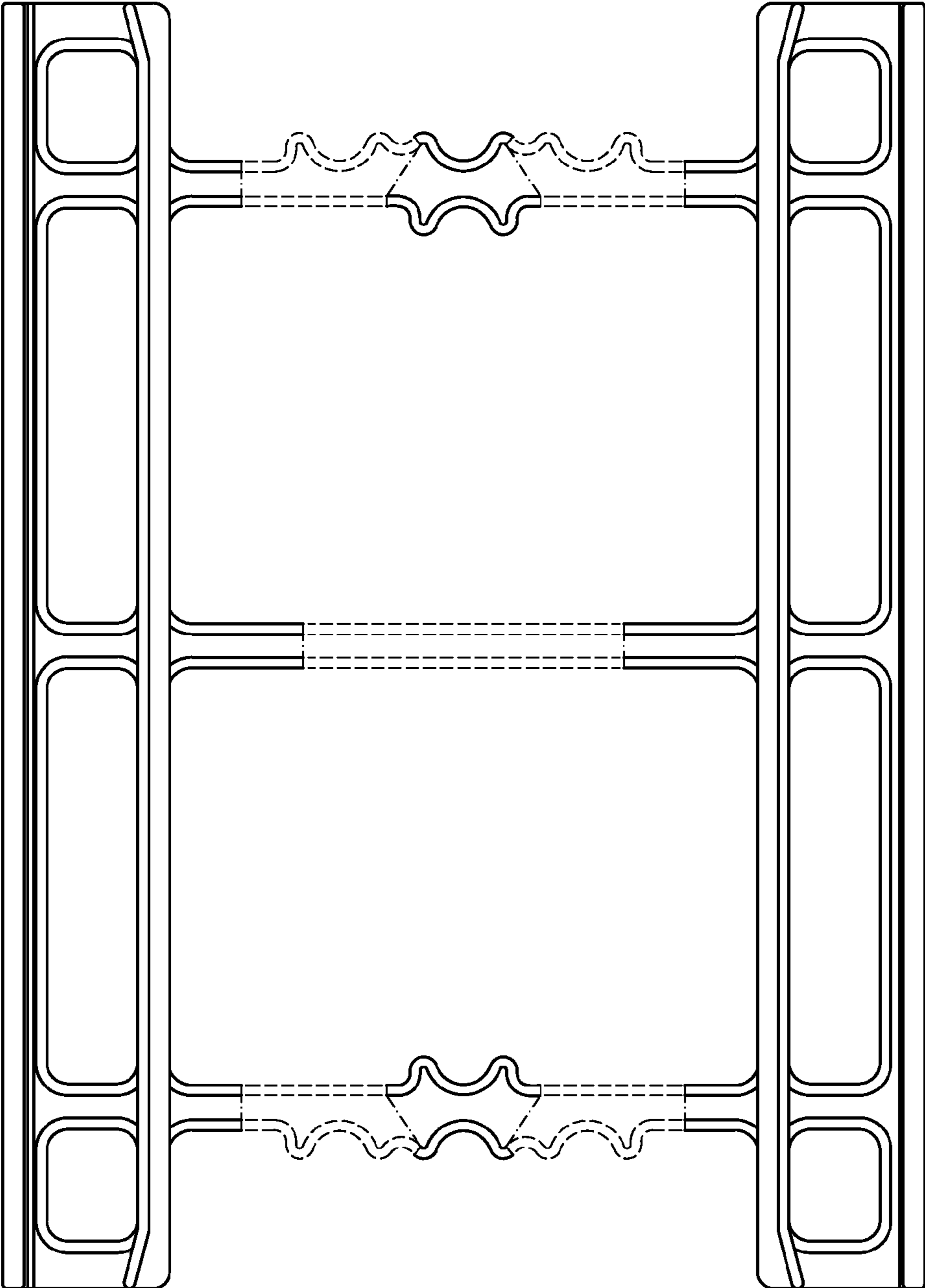


Fig. 2

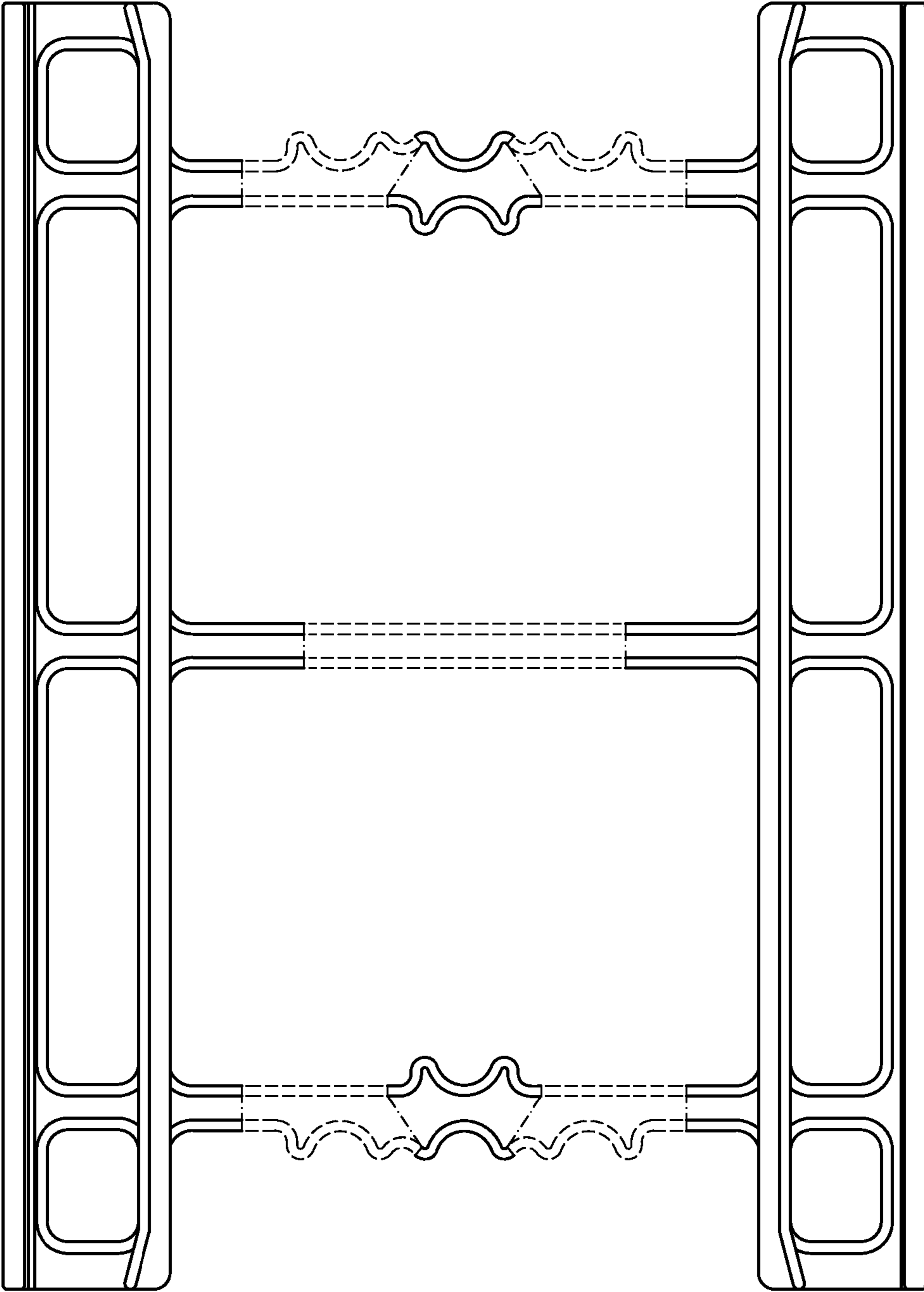


Fig. 3

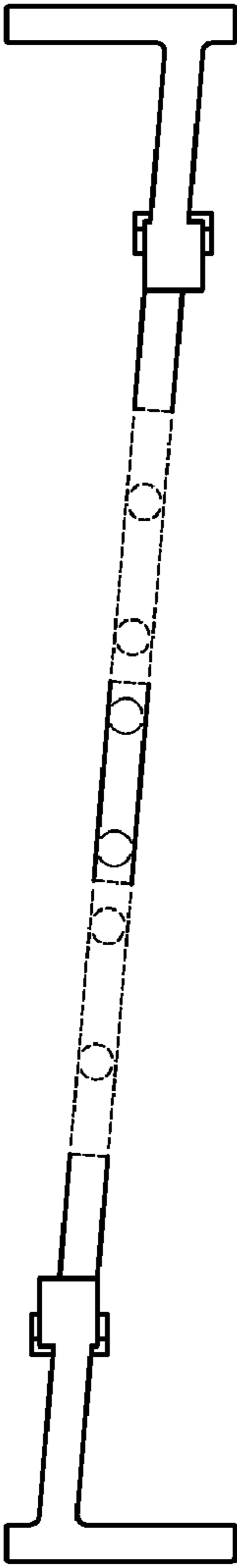


Fig. 4

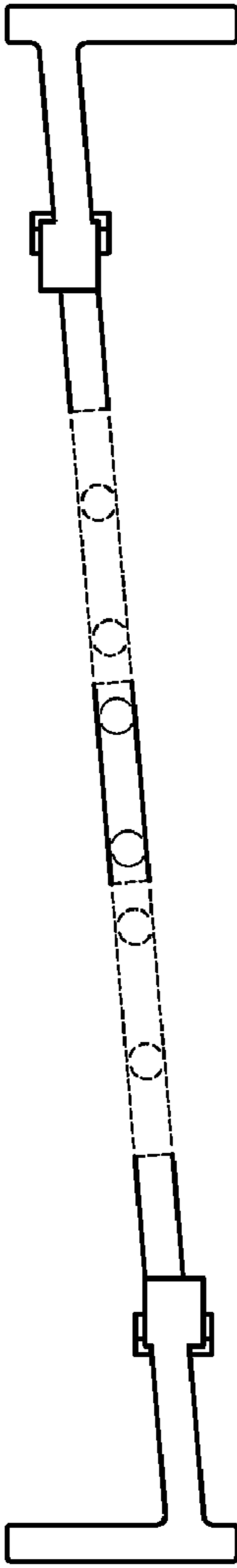


Fig. 5

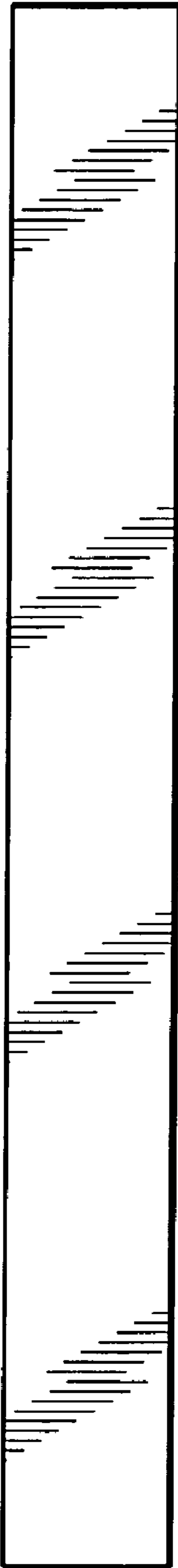


Fig. 6

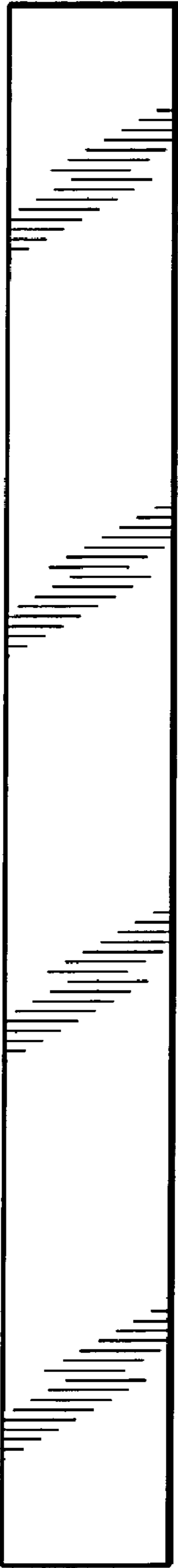


Fig. 7