



US00D617008S

(12) **United States Design Patent**
Kjaergaard et al.

(10) **Patent No.:** **US D617,008 S**
(45) **Date of Patent:** **** Jun. 1, 2010**

(54) **WEATHER SHIELD FOR SKYLIGHT WINDOW**

(74) *Attorney, Agent, or Firm*—Merek, Blackmon & Voorhees, LLC

(75) Inventors: **Erik Kjaergaard**, Silkeborg (DK);
Torben Allesen Pedersen, Horsens (DK)

(57) **CLAIM**

(73) Assignee: **VKR Holding A/S**, Hoersholm (DK)

The ornamental design for a weather shield for skylight window, as shown and described.

(**) Term: **14 Years**

(21) Appl. No.: **29/311,802**

DESCRIPTION

(22) Filed: **Jun. 26, 2009**

Related U.S. Application Data

(63) Continuation of application No. 29/300,888, filed on May 27, 2008, now abandoned.

FIG. 1 is a perspective view taken from the top, front and left side of a weather shield for skylight window showing a first embodiment of the design;

FIG. 2 is a front elevation of the weather shield for skylight window of FIG. 1;

(30) **Foreign Application Priority Data**

Jan. 4, 2008 (EM) 000853221

The rear, left side, and right side elevations of the weather shield for skylight window of FIG. 1 are each identical to the front elevation of FIG. 2;

(51) **LOC (9) Cl.** **25-02**

FIG. 3 is a bottom plan view of the weather shield for skylight window of FIG. 1;

(52) **U.S. Cl.** **D25/52**

(58) **Field of Classification Search** D25/52,
D25/60, 199; 52/200, DIG. 17, 173.3, 58;
428/34

FIG. 4 is a top plan view of the weather shield for skylight window of FIG. 1;

See application file for complete search history.

FIG. 5 is a perspective view taken from the top, front and left side of a weather shield for skylight window showing a second embodiment of the design;

(56) **References Cited**

U.S. PATENT DOCUMENTS

3,068,753 A 12/1962 Kirkpatrick
3,127,699 A 4/1964 Wasserman
3,709,583 A 1/1973 Pfannkuch et al.
3,918,226 A 11/1975 Naidus

FIG. 6 is a left side elevation of the weather shield for skylight window of FIG. 5;

The right side elevation of the second embodiment of the design is a mirror image of the left side elevation;

FIG. 7 is a front elevation, on a slightly larger scale than FIG. 6, of the weather shield for skylight window of FIG. 5;

(Continued)

FOREIGN PATENT DOCUMENTS

CA 2456113 A 6/2005

The rear elevation of the second embodiment of the design is a mirror image of the front elevation;

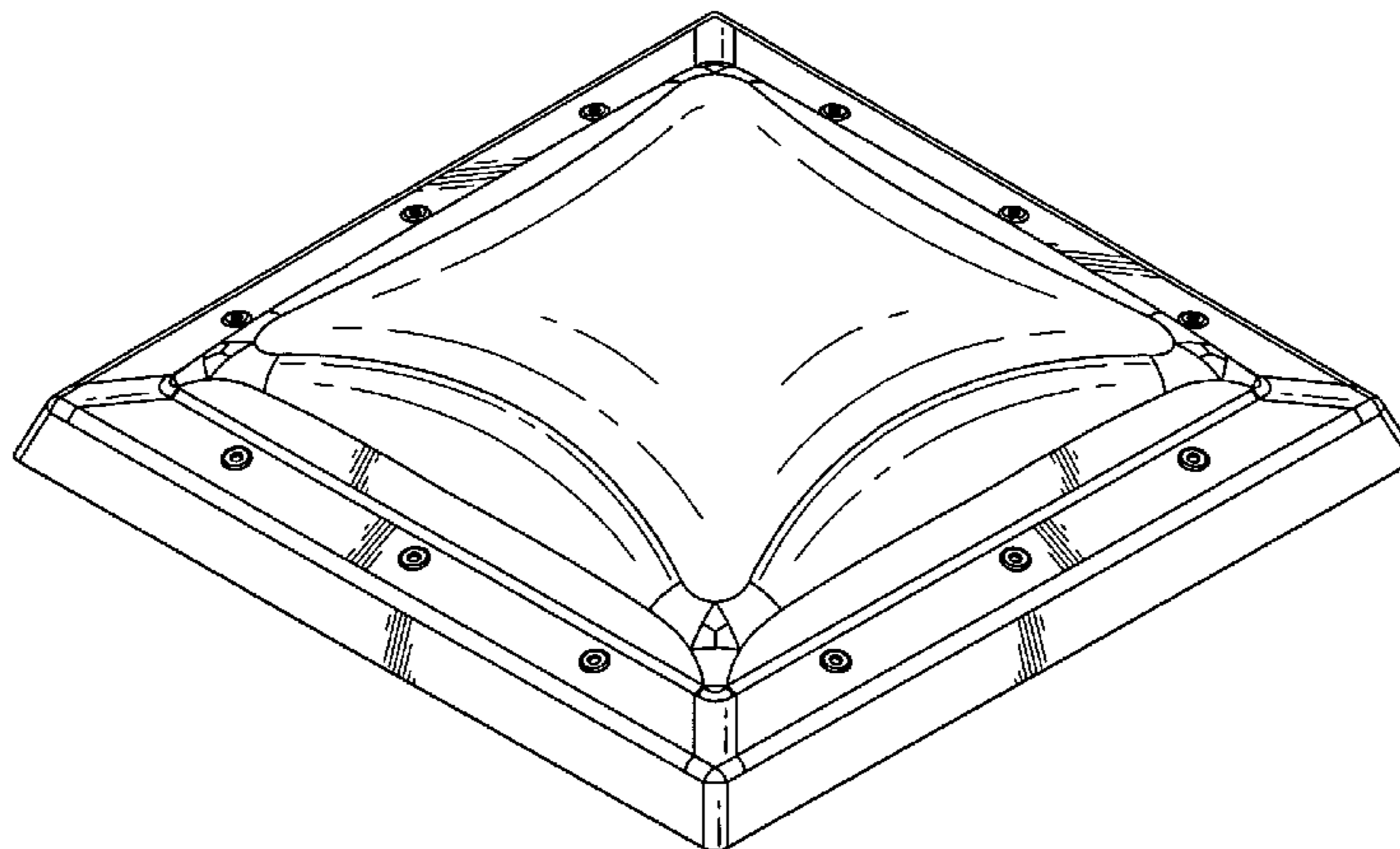
FIG. 8 is a bottom plan view of the weather shield for skylight window of FIG. 5; and,

FIG. 9 is a top plan view of the weather shield for skylight window of FIG. 5.

(Continued)

Primary Examiner—Doris Clark

1 Claim, 9 Drawing Sheets



US D617,008 S

Page 2

U.S. PATENT DOCUMENTS			2006/0272232 A1* 12/2006 Fooks 52/200		
3,983,669	A	10/1976 Bogaert	FOREIGN PATENT DOCUMENTS		
4,223,493	A	9/1980 Moench et al.	CH	418588	A 8/1966
4,335,551	A	6/1982 Benkelman et al.	DE	1861686	U 11/1962
D299,961	S *	2/1989 Bechtold D25/52	DE	1180695	B1 11/1964
5,046,292	A	9/1991 Sampson et al.	DE	1204802	B 11/1965
5,199,234	A	4/1993 Guhl	DE	3407571	A1 9/1985
5,216,855	A	6/1993 Richter et al.	DE	8303624	U 4/1986
D387,430	S	12/1997 Takazawa et al.	GB	2154873	A 9/1985
5,806,255	A	9/1998 Verby et al.			
6,052,956	A *	4/2000 Hoy et al. 52/200	* cited by examiner		

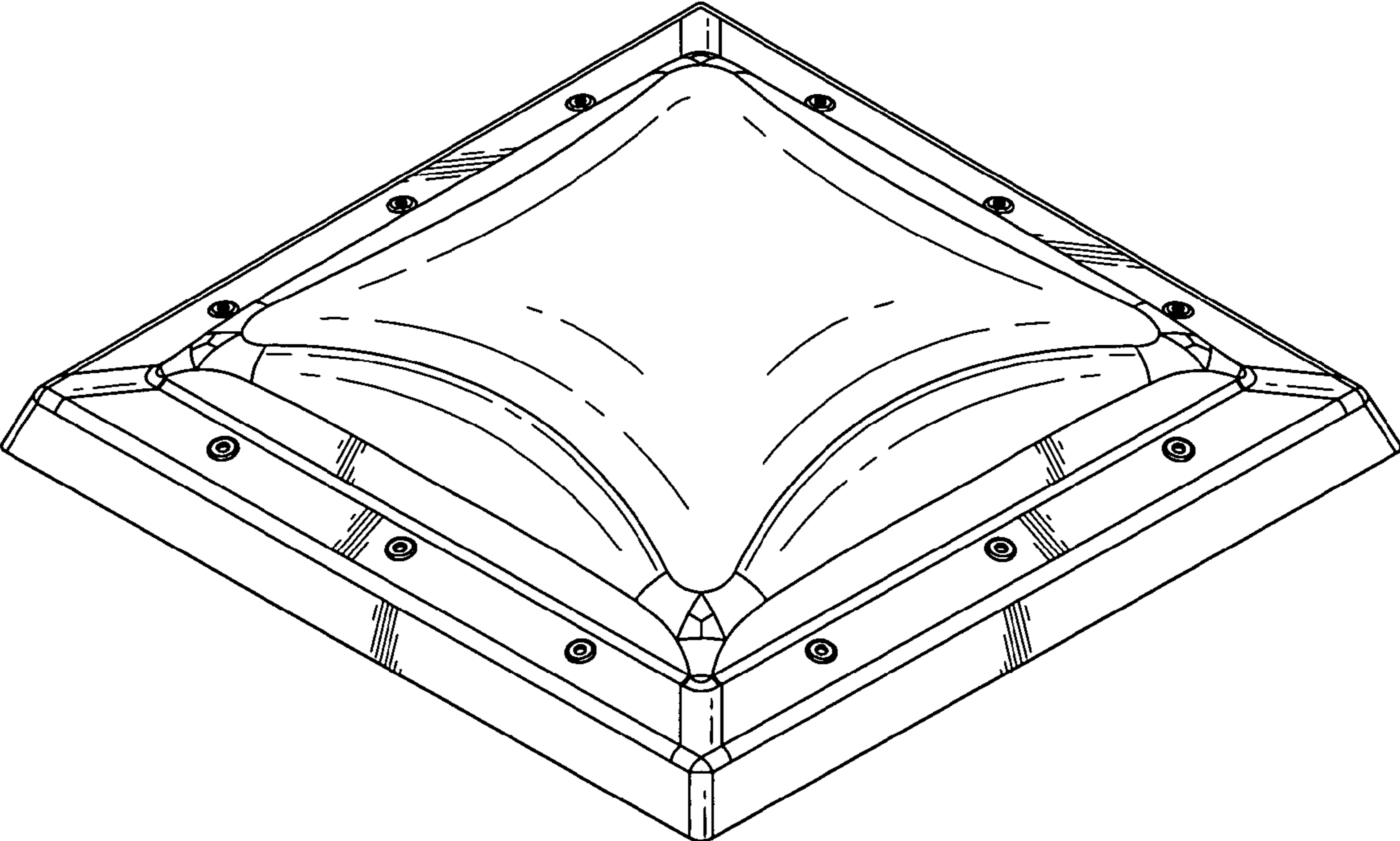


FIG. 1

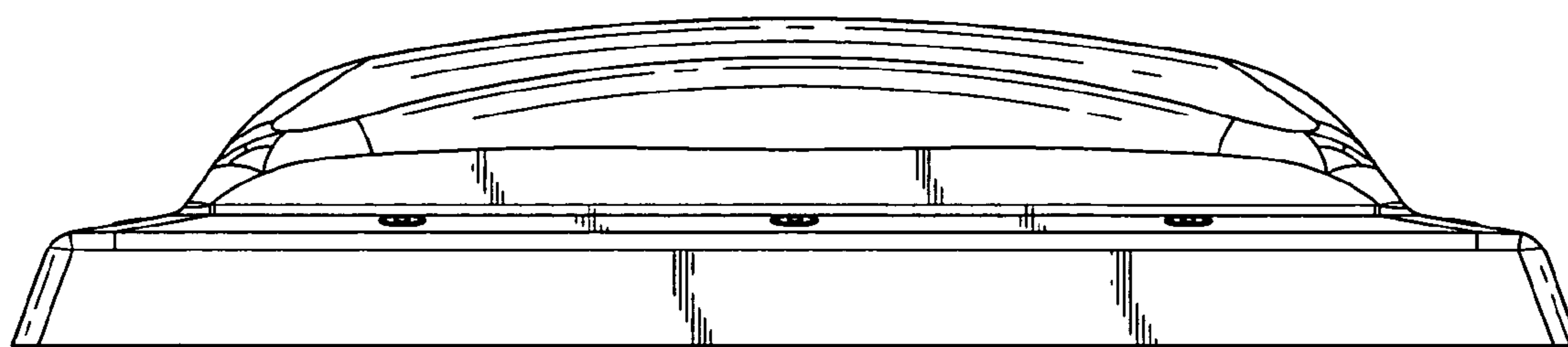


FIG. 2

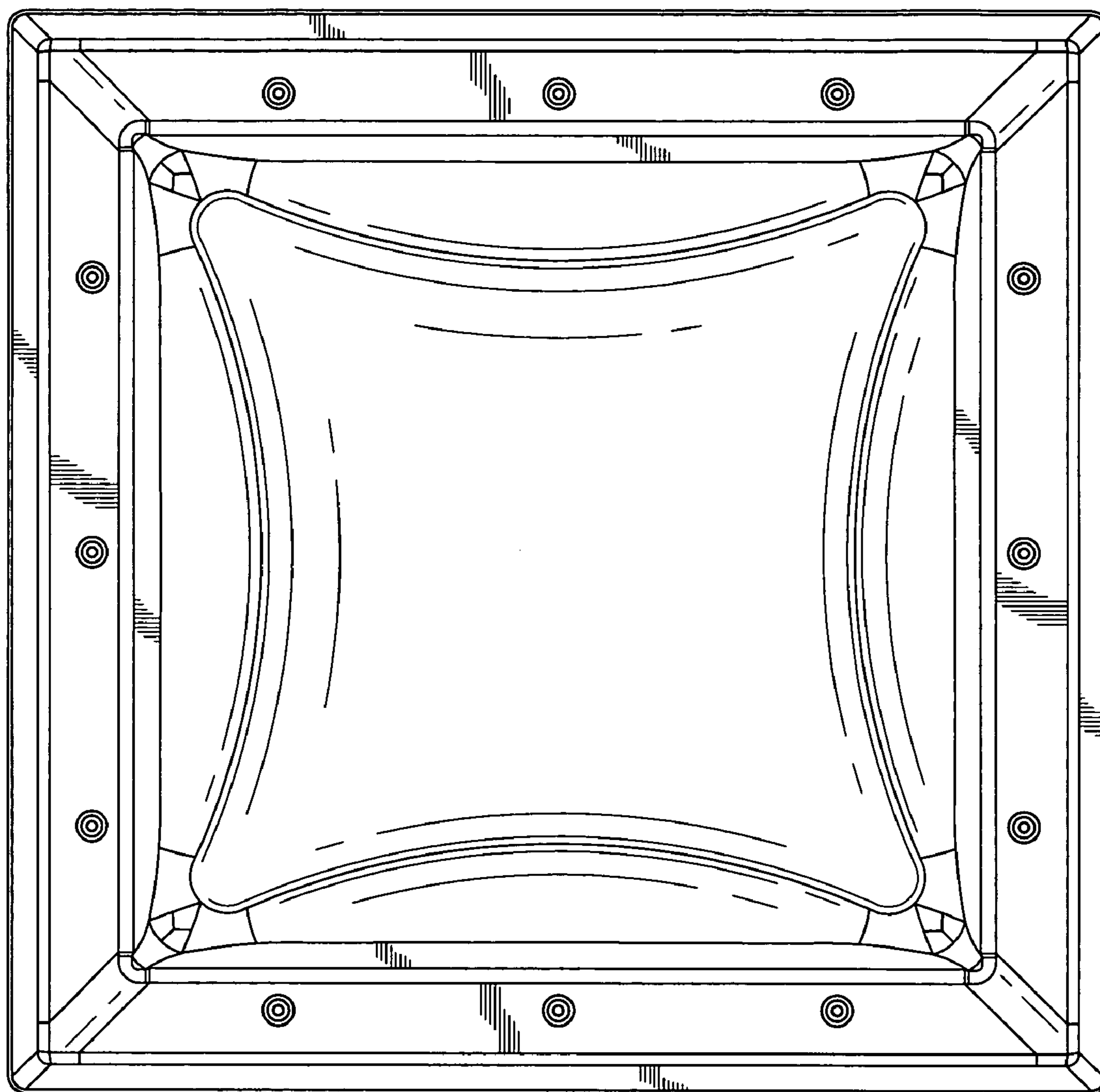


FIG. 3

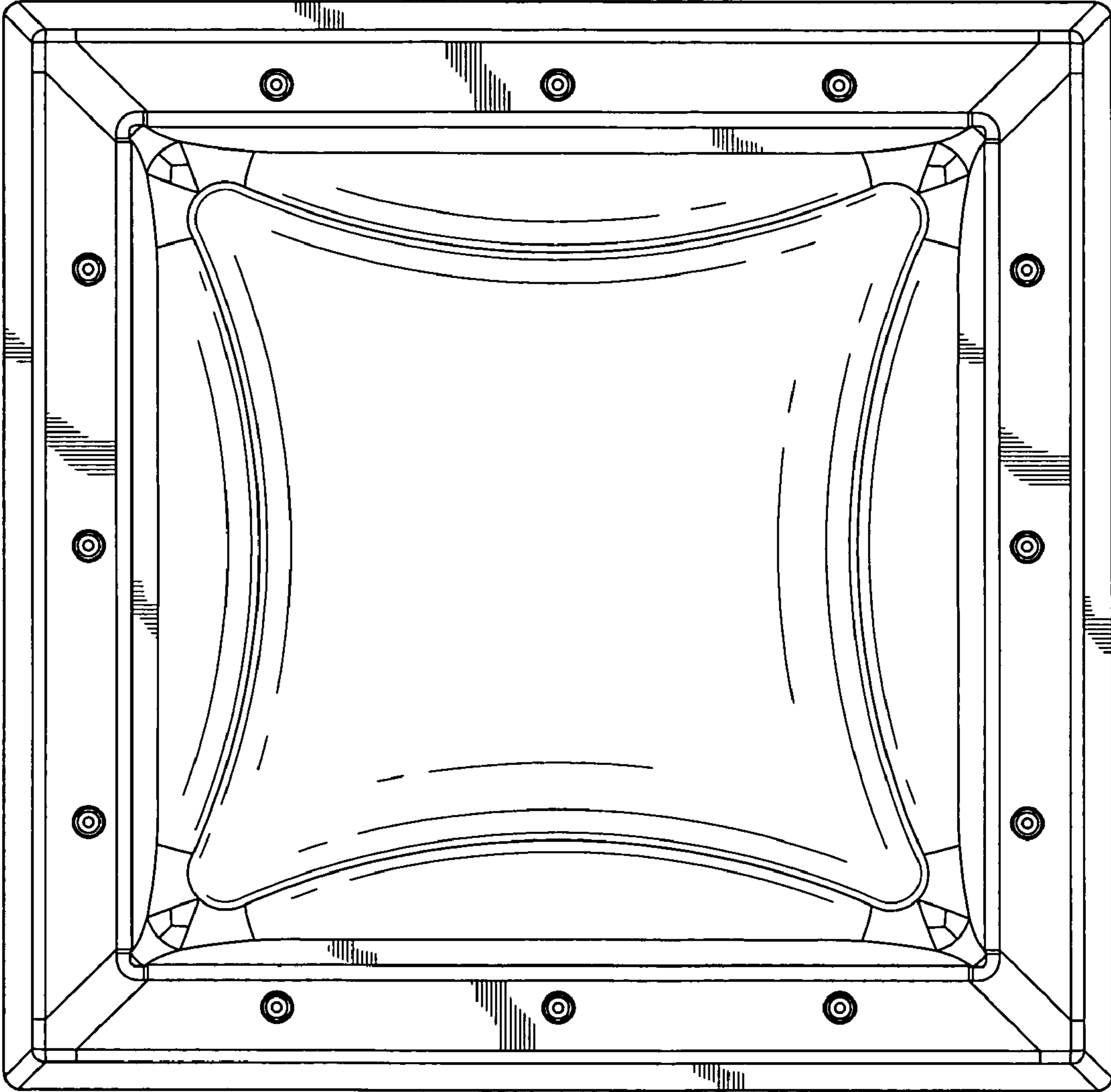


FIG. 4

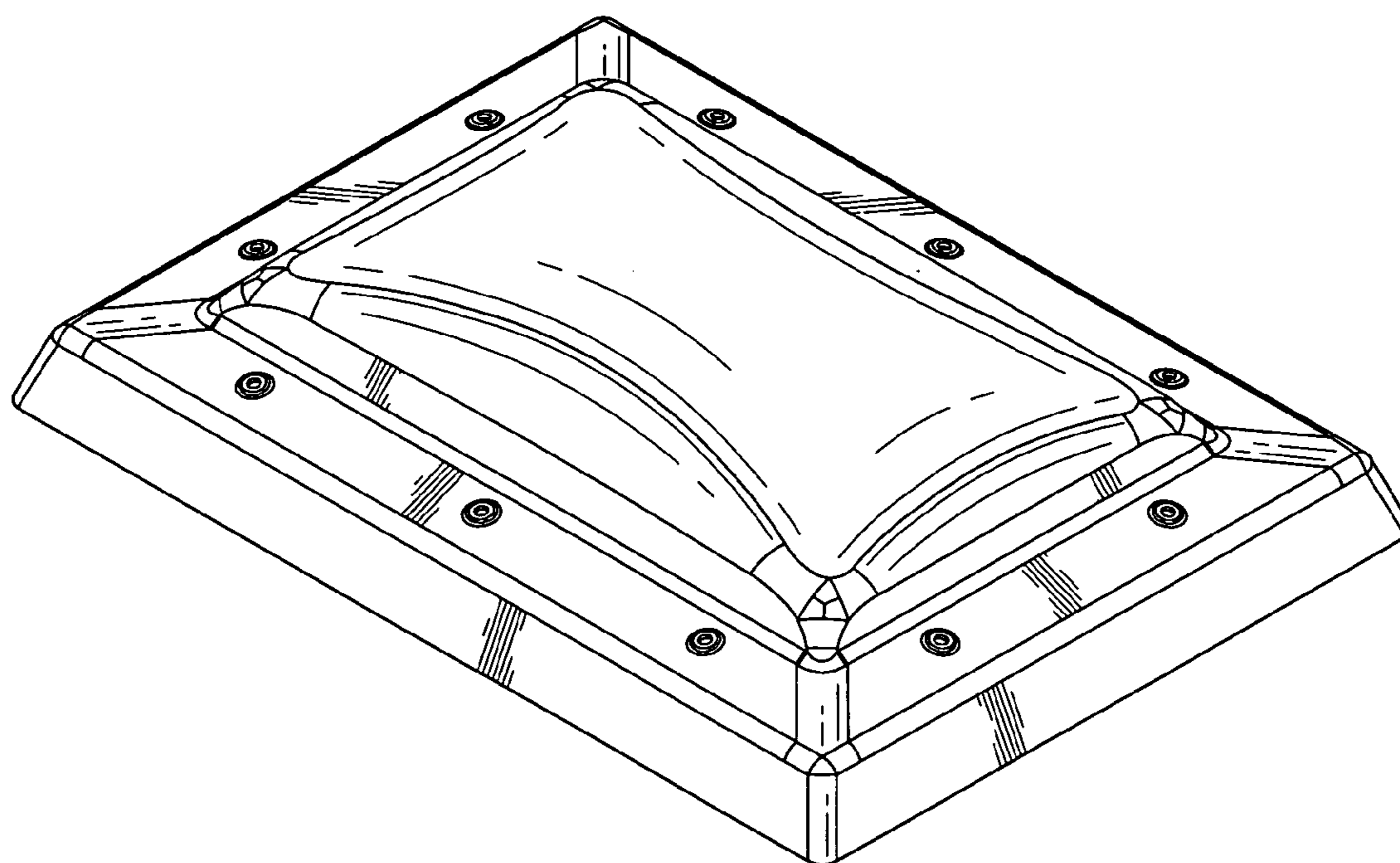


FIG. 5

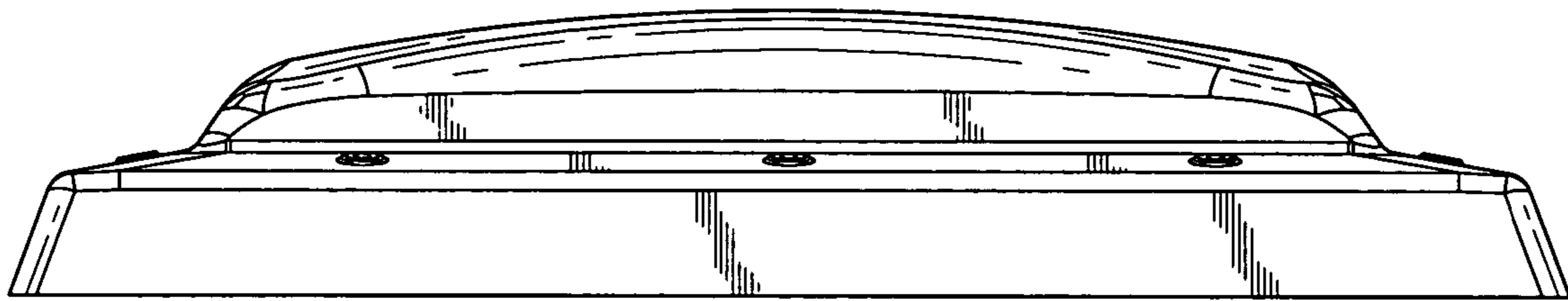


FIG. 6

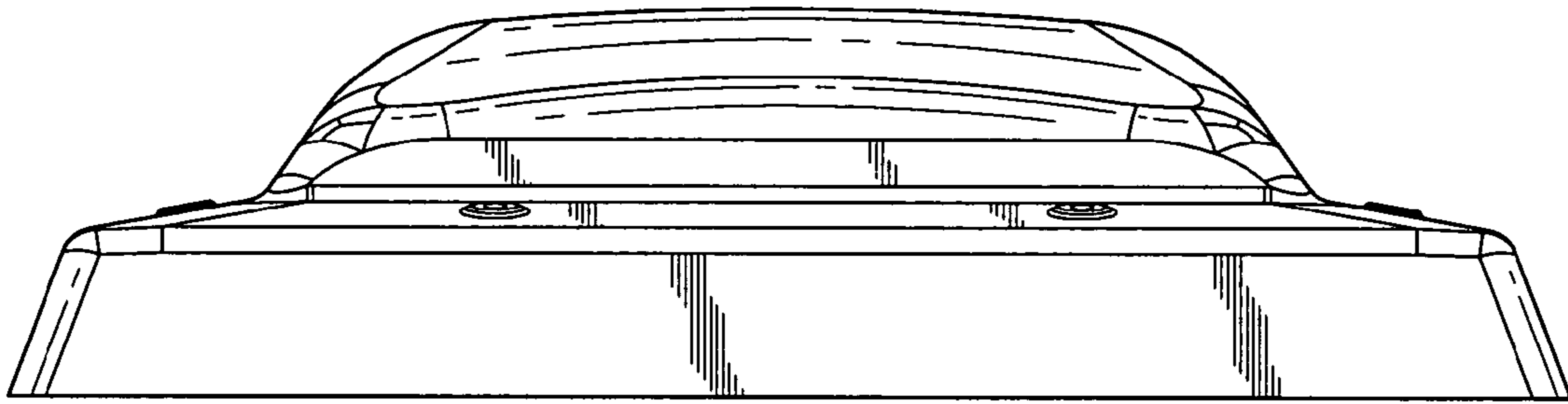


FIG. 7

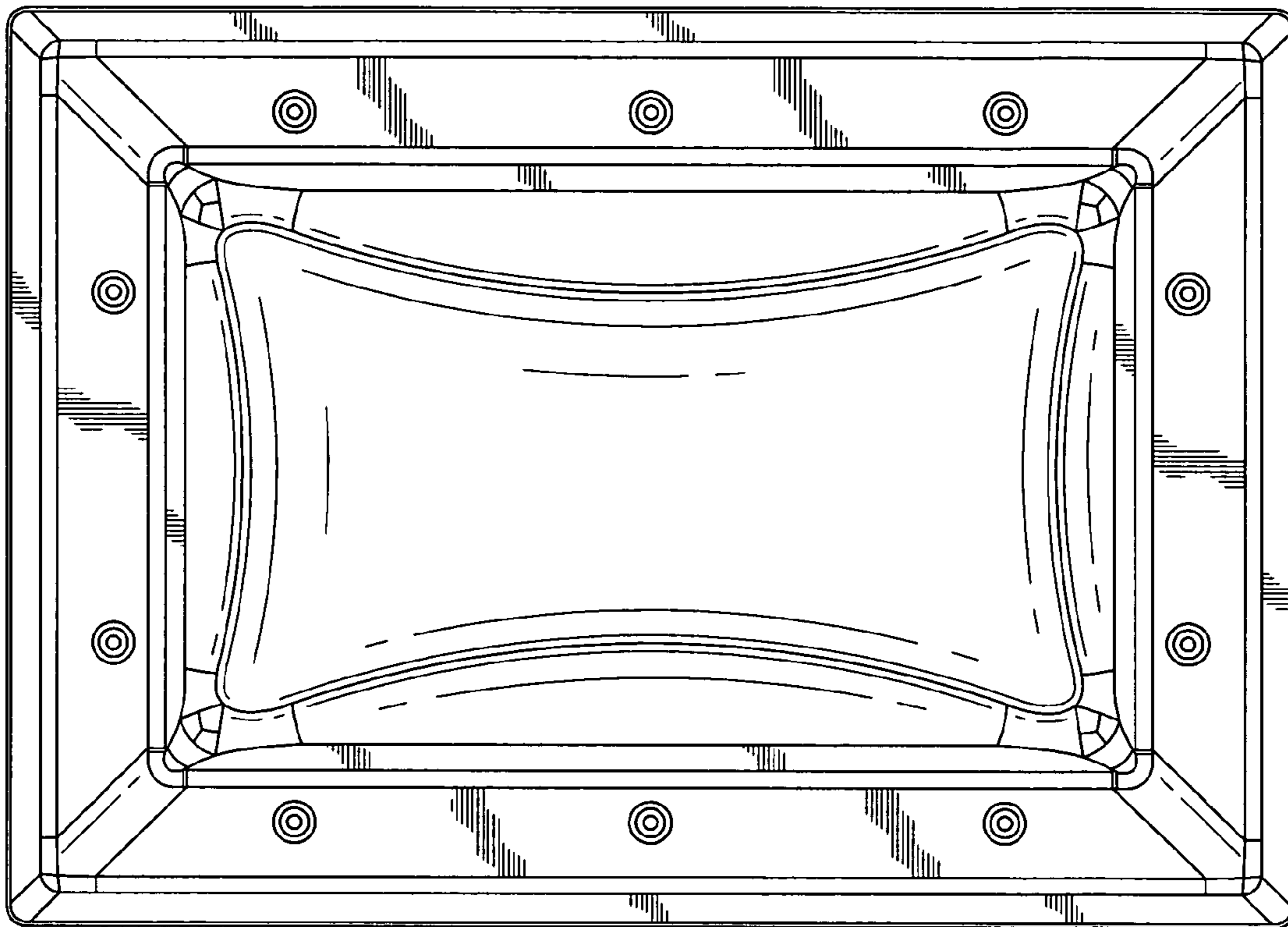


FIG. 8

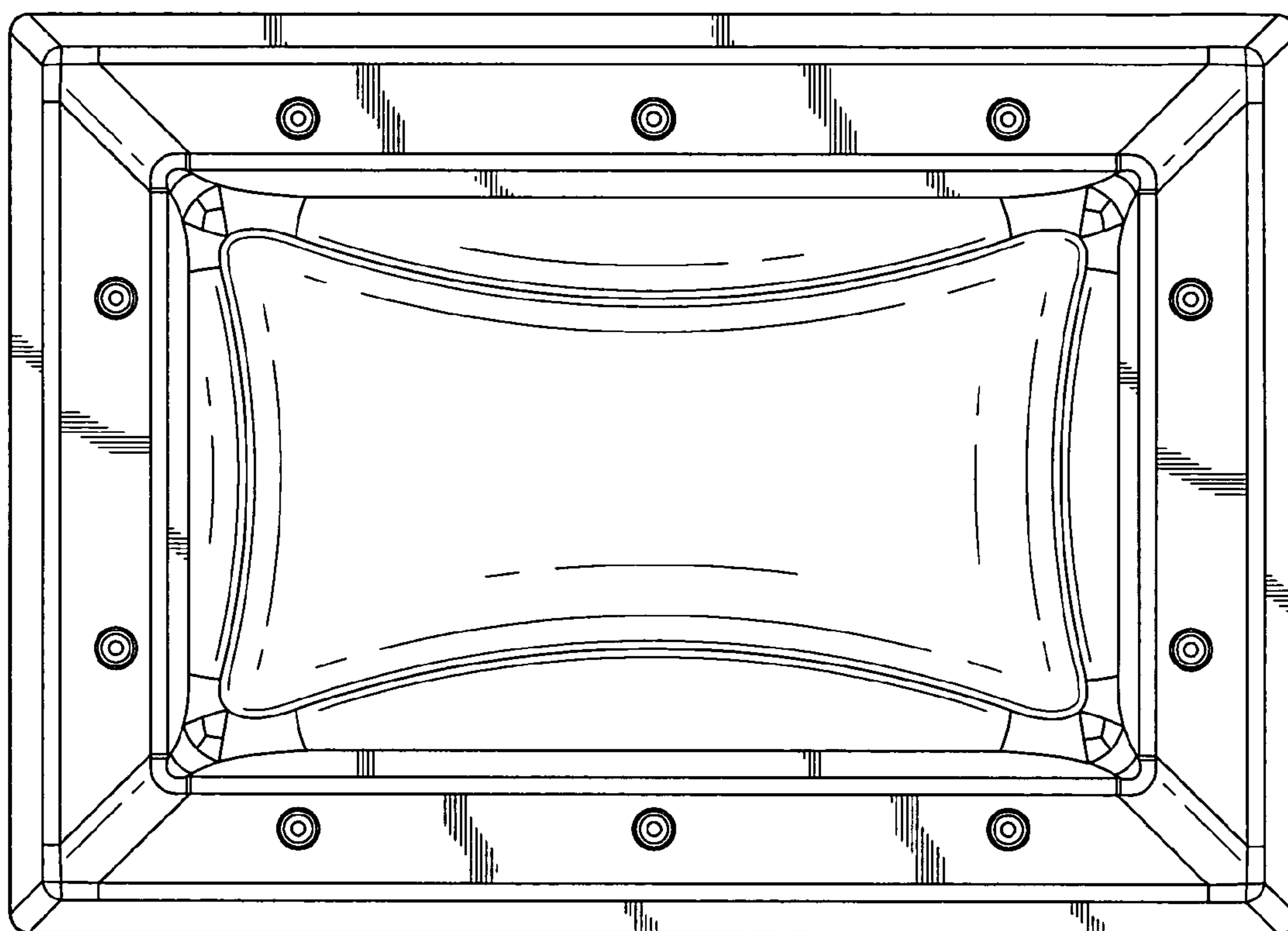


FIG. 9