



US00D617007S

(12) **United States Design Patent**
Kjærgaard et al.

(10) **Patent No.:** **US D617,007 S**
(45) **Date of Patent:** **** Jun. 1, 2010**

(54) **SKYLIGHT WINDOW AND WEATHER SHIELD**

D387,430 S 12/1997 Takazawa et al.
5,806,255 A 9/1998 Verby et al.
6,052,956 A * 4/2000 Hoy et al. 52/200
2006/0272232 A1* 12/2006 Fooks 52/200

(75) Inventors: **Erik Kjærgaard**, Silkeborg (DK);
Torben Allesen Pedersen, Horsens (DK)

FOREIGN PATENT DOCUMENTS

(73) Assignee: **VKR Holding A/S**, Hoersholm (DK)

CA	2456113 A	6/2005
CH	418588 A	8/1966
DE	1861686 U	11/1962
DE	1180695 B1	11/1964
DE	1204802 B	11/1965
DE	3407571 A1	9/1985
DE	8303624 U	4/1986
GB	2154873 A	9/1985

(**) Term: **14 Years**

(21) Appl. No.: **29/311,801**

(22) Filed: **Jun. 26, 2009**

Related U.S. Application Data

(63) Continuation of application No. 29/300,889, filed on May 27, 2008, now abandoned.

* cited by examiner

Primary Examiner—Doris Clark

(74) *Attorney, Agent, or Firm*—Merek, Blackmon & Voorhees, LLC

(30) **Foreign Application Priority Data**

Jan. 4, 2008 (EM) 000853221

(57) **CLAIM**

(51) **LOC (9) Cl.** **25-02**

(52) **U.S. Cl.** **D25/52**

(58) **Field of Classification Search** D25/52,
D25/60, 199; 52/200, DIG. 17, 173.3, 58;
428/34

We claim the ornamental design for a skylight window and weather shield, as shown and described.

See application file for complete search history.

DESCRIPTION

(56) **References Cited**

U.S. PATENT DOCUMENTS

3,068,753 A	12/1962	Kirkpatrick	
3,127,699 A	4/1964	Wasserman	
3,709,583 A	1/1973	Pfannkuch et al.	
3,918,226 A	11/1975	Naidus	
3,983,669 A	10/1976	Bogaert	
4,223,493 A	9/1980	Moench et al.	
4,335,551 A	6/1982	Benkelman et al.	
D299,961 S *	2/1989	Bechtold D25/52
5,046,292 A	9/1991	Sampson et al.	
5,199,234 A	4/1993	Guhl	
5,216,855 A	6/1993	Richter et al.	

FIG. 1 is a perspective view taken from the top, front and left side of a skylight window and weather shield showing the design;

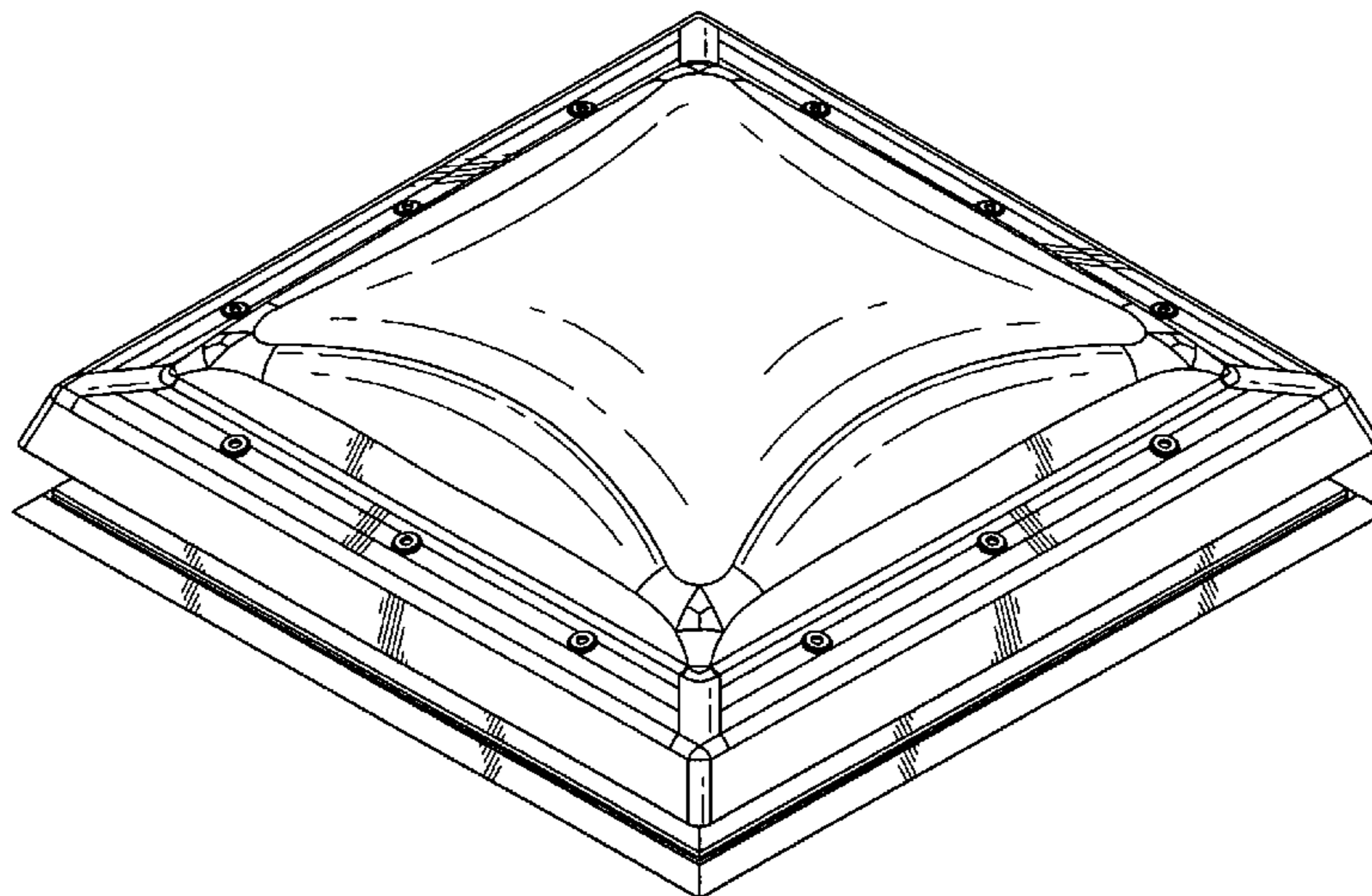
FIG. 2 is a front elevation of the skylight window and weather shield of FIG. 1;

The rear, left side, and right side elevations of the skylight window and weather shield of FIG. 1 are each identical to the front elevation of FIG. 2;

FIG. 3 is a top plan view of the skylight window and weather shield of FIG. 1; and,

FIG. 4 is a bottom plan view of the skylight window and weather shield of FIG. 1.

1 Claim, 4 Drawing Sheets



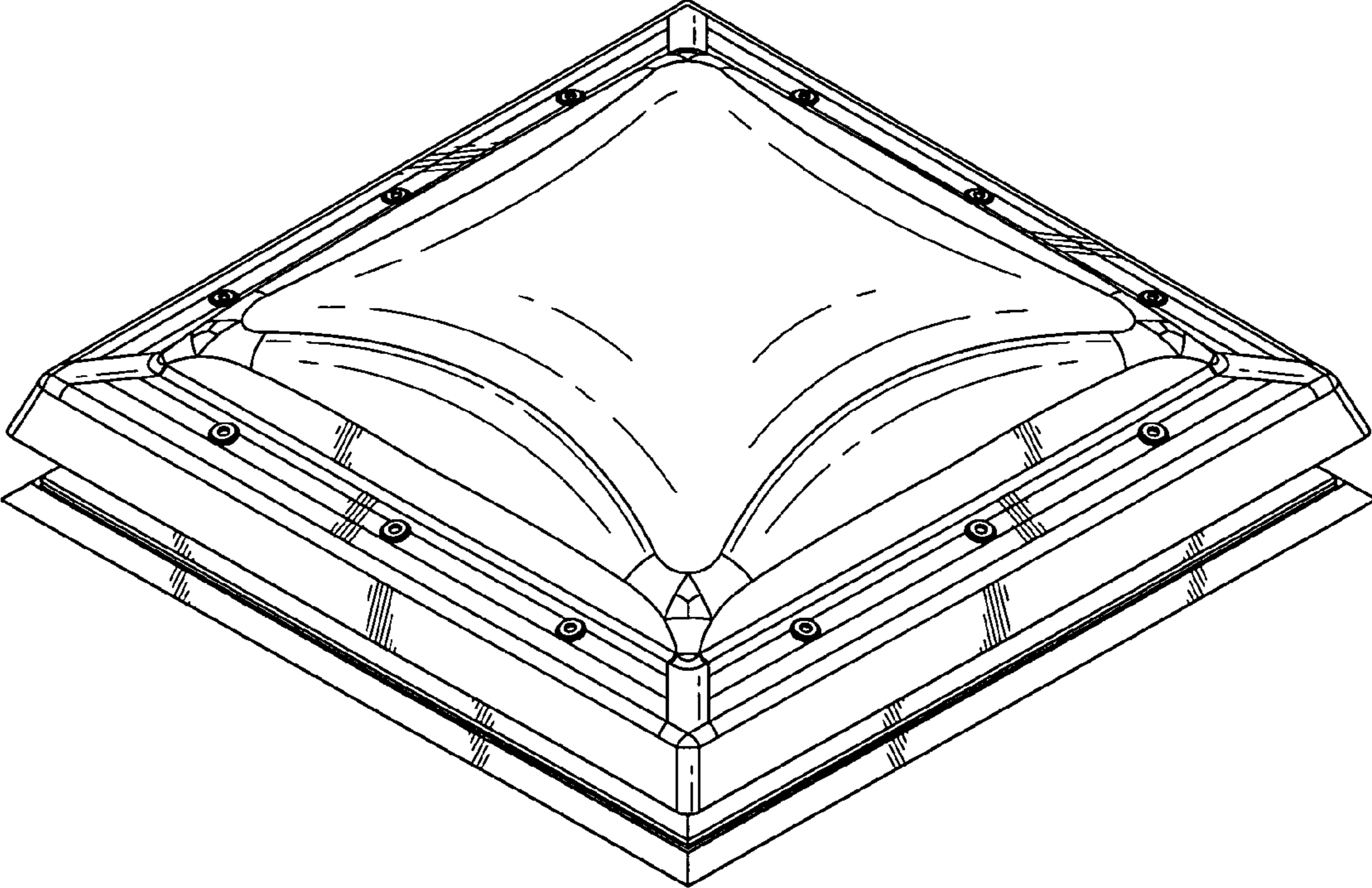


FIG. 1

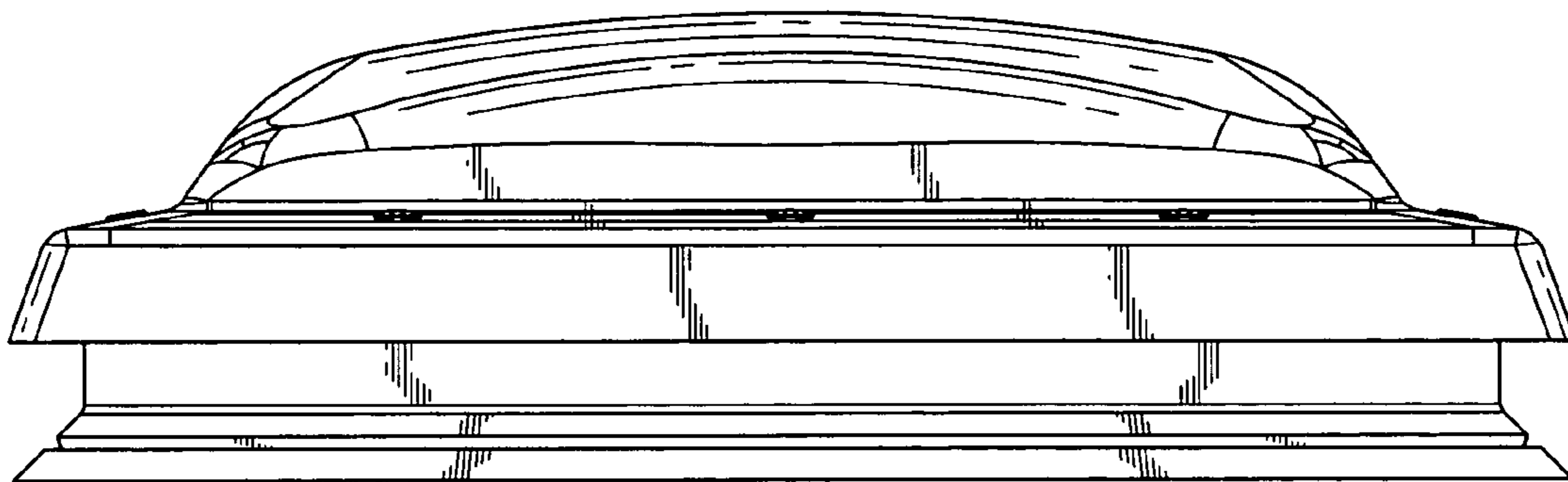


FIG. 2

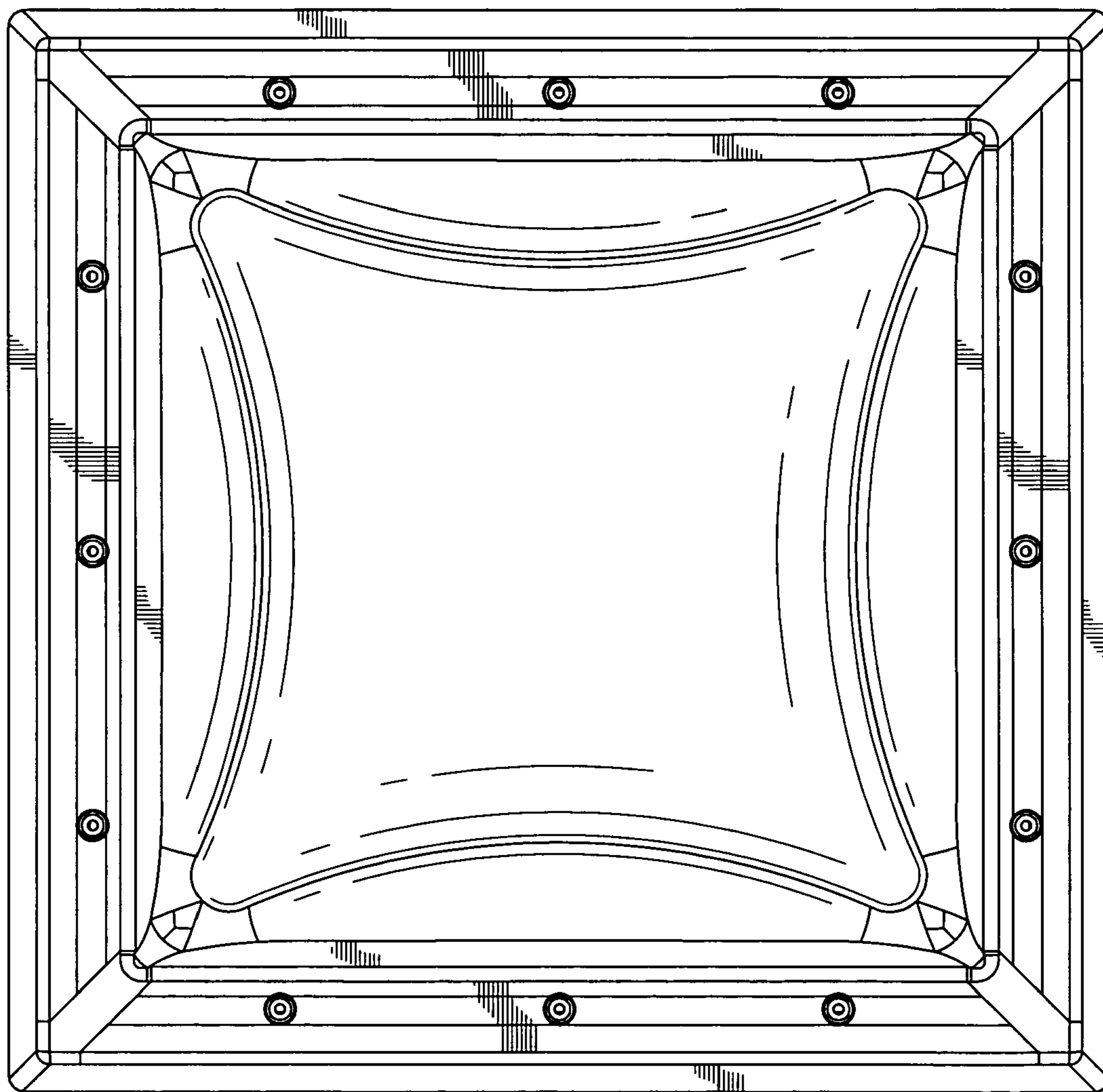


FIG. 3

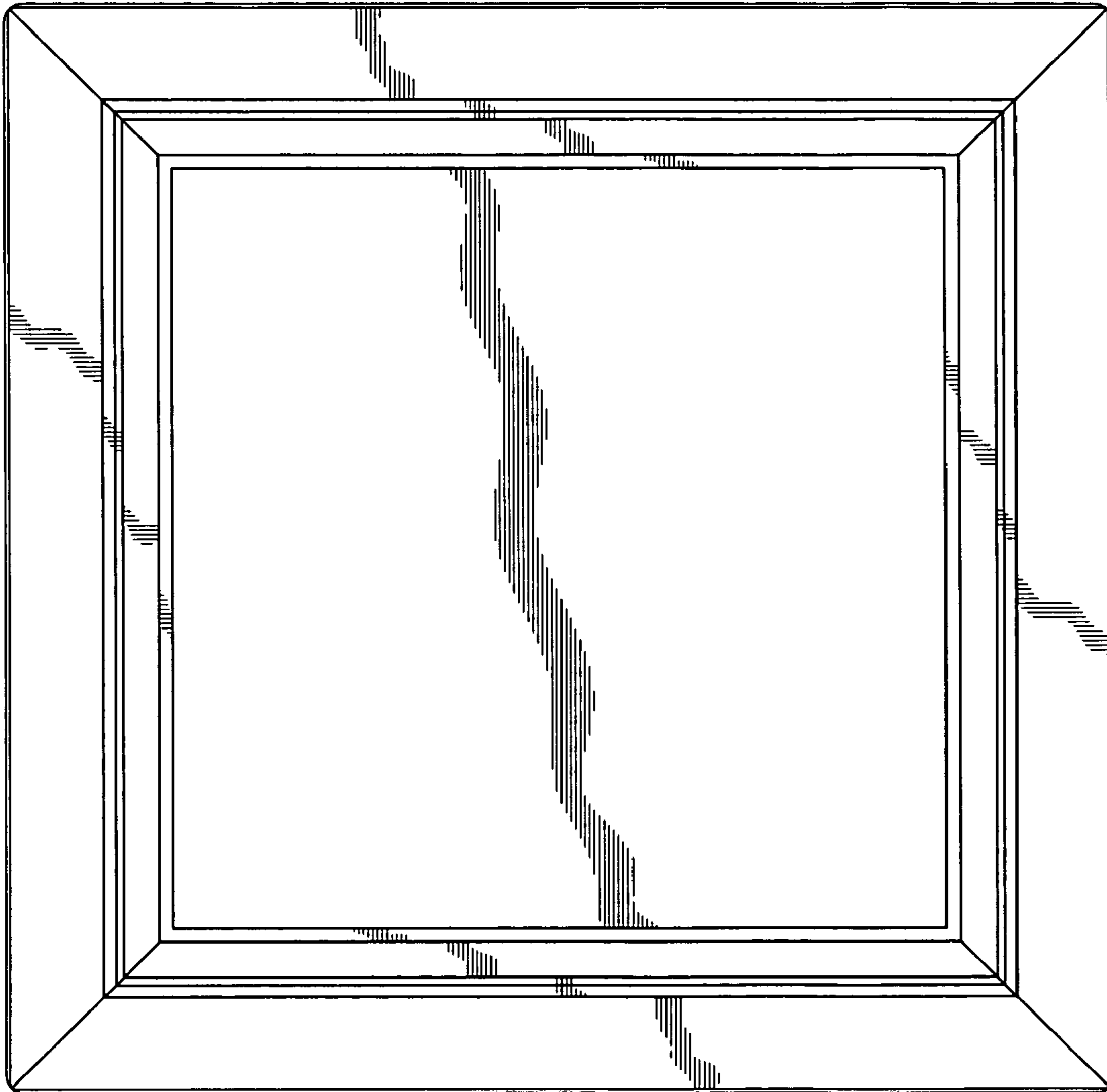


FIG. 4