



US00D617006S

(12) **United States Design Patent**  
**Konrad**

(10) **Patent No.:** **US D617,006 S**  
(45) **Date of Patent:** **\*\* Jun. 1, 2010**

(54) **ROLLING SHUTTER SLAT**  
(76) Inventor: **Walter Martin Konrad**, 2120  
Wimbelton Ct., Houston, TX (US) 77581

(\*\*) Term: **14 Years**

(21) Appl. No.: **29/348,401**

(22) Filed: **Dec. 31, 2009**

(51) **LOC (9) Cl.** ..... **25-02**

(52) **U.S. Cl.** ..... **D25/49**

(58) **Field of Classification Search** ..... D25/49;  
160/23.1, 32, 41, 98, 99, 133, 104, 120, 238,  
160/DIG. 10; 52/473

See application file for complete search history.

(56) **References Cited**

**U.S. PATENT DOCUMENTS**

5,839,493 A 11/1998 Quasius  
D414,877 S \* 10/1999 Meshulam ..... D25/49

6,095,225 A 8/2000 Miller  
D450,857 S \* 11/2001 Schoeren ..... D25/49  
6,631,749 B1 10/2003 Zabala  
6,715,529 B2 \* 4/2004 Farooq ..... 160/133  
6,874,560 B2 \* 4/2005 Escibano ..... 160/133  
6,951,236 B2 10/2005 Schlater et al.  
7,100,665 B2 9/2006 Miller

\* cited by examiner

*Primary Examiner*—Doris Clark

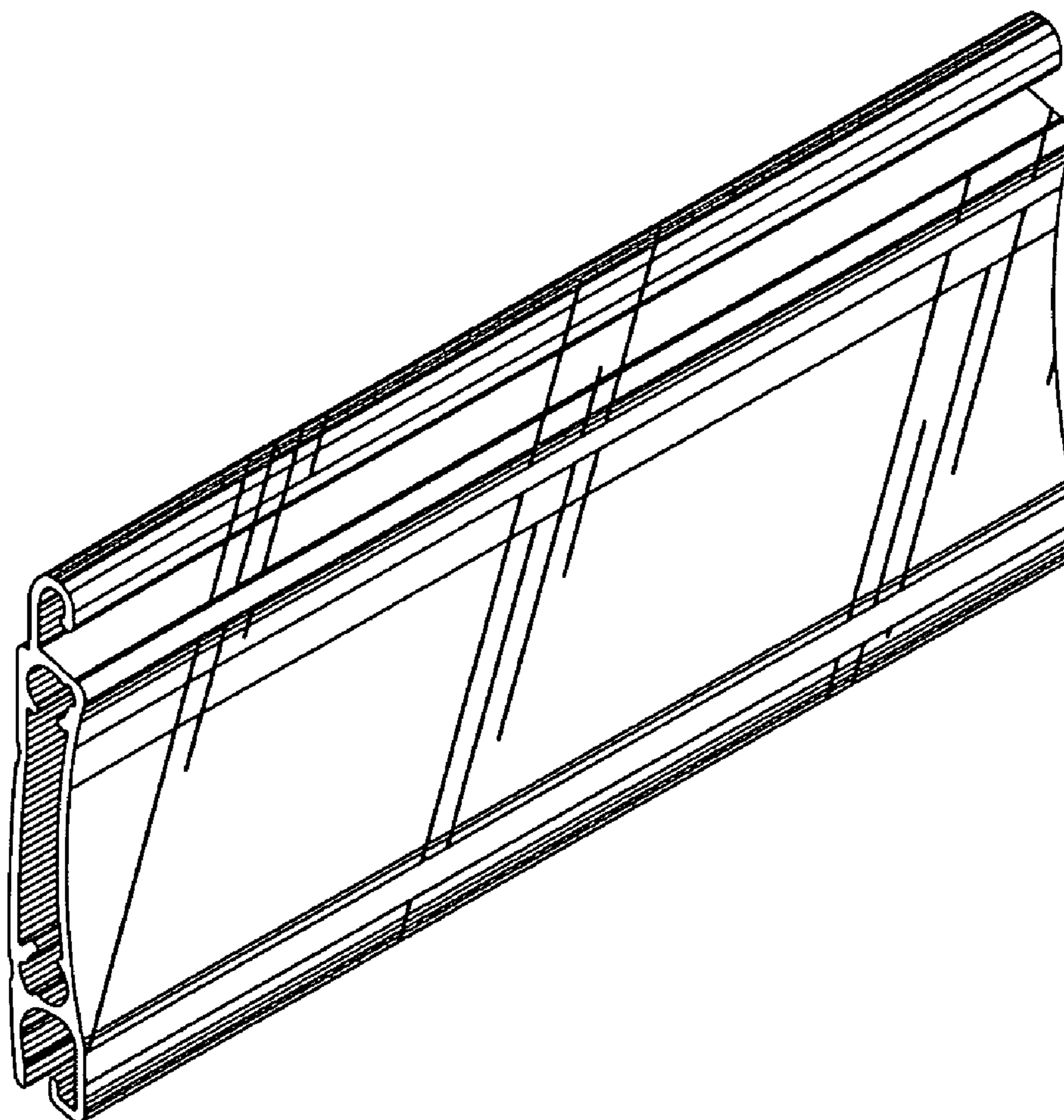
(57) **CLAIM**

The ornamental design for a rolling shutter slat, as shown.

**DESCRIPTION**

FIG. 1 is a perspective front view thereof;  
FIG. 2 is a perspective back view thereof; and,  
FIG. 3 is an end view of a rolling shutter slat showing our new  
design/ the opposite end view being a mirror image.

**1 Claim, 1 Drawing Sheet**



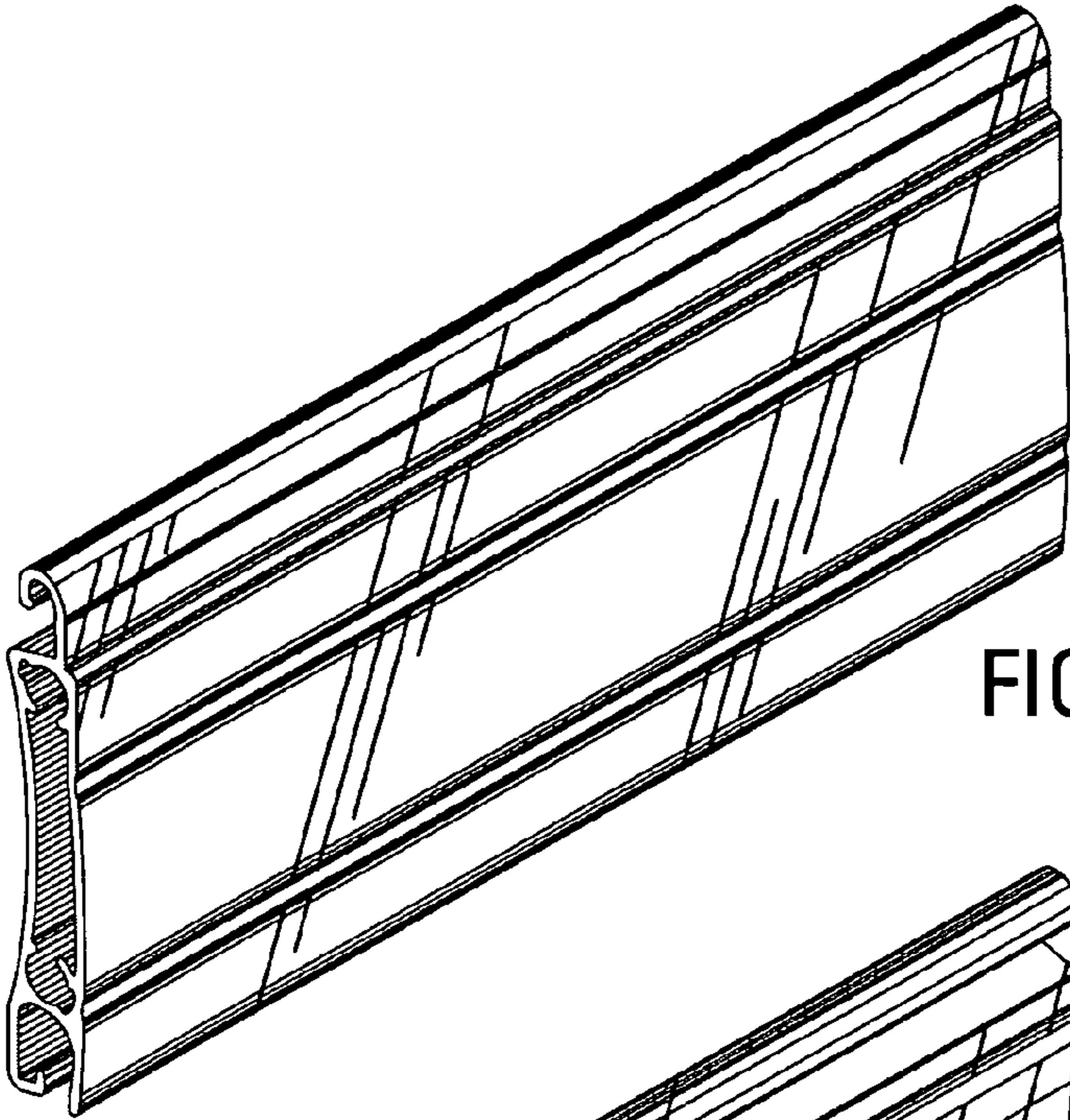


FIG1.

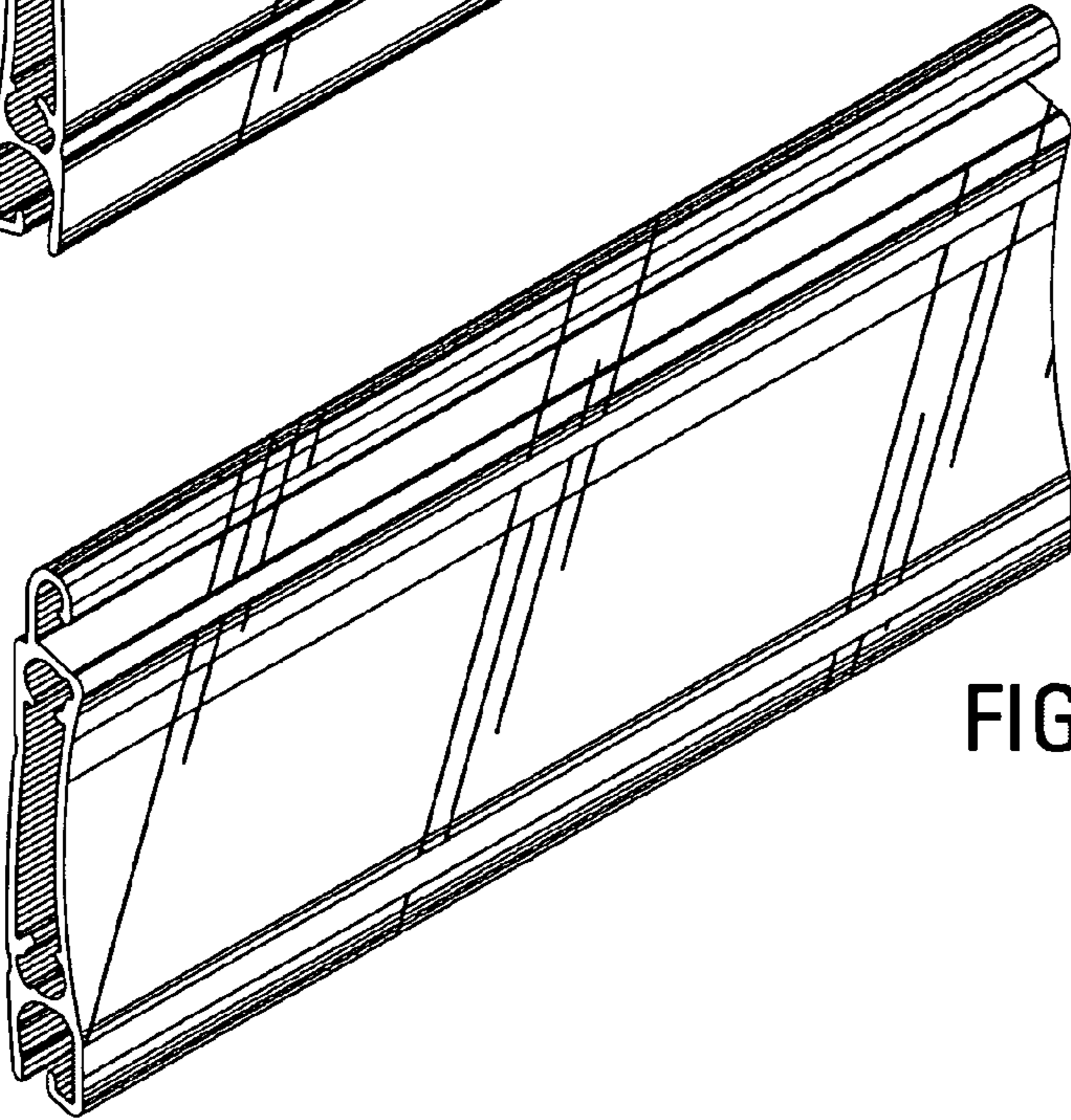


FIG2.

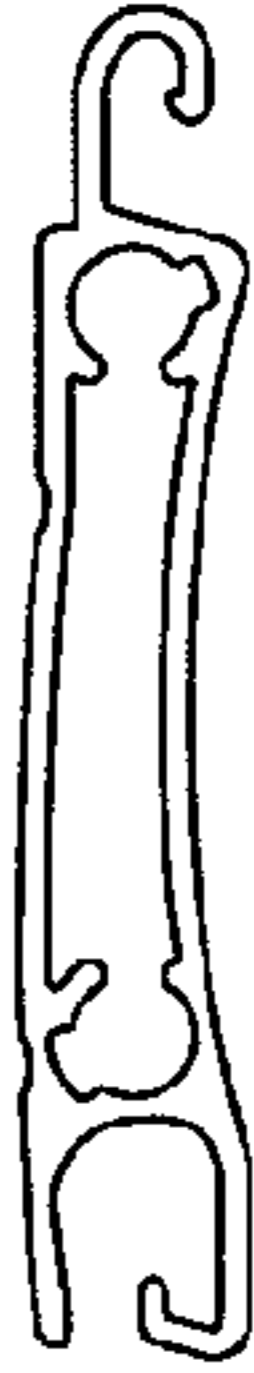


FIG3.