



US00D617001S

(12) **United States Design Patent**  
**Lee**

(10) **Patent No.:** **US D617,001 S**  
(45) **Date of Patent:** **\*\* Jun. 1, 2010**

(54) **MIXER FOR QUANTITATIVE SHOT DEVICE**

(76) Inventor: **Cho-Lun Lee**, No. 32, Alley 1, Lane 11,  
Yajhou Rd., Tucheng City, Taipei County  
23677 (TW)

(\*\*) Term: **14 Years**

(21) Appl. No.: **29/335,905**

(22) Filed: **Apr. 24, 2009**

(51) **LOC (9) Cl.** ..... **24-02**

(52) **U.S. Cl.** ..... **D24/220**

(58) **Field of Classification Search** ..... D24/155,  
D24/156, 180, 176, 220, 221; 433/173, 176,  
433/125, 126; 606/304, 74, 72; 366/172.1,  
366/307; 442/149

See application file for complete search history.

(56) **References Cited**

**U.S. PATENT DOCUMENTS**

6,443,612	B1 *	9/2002	Keller	.....	366/307
6,523,992	B1 *	2/2003	Bublewitz et al.	.....	366/172.1
6,837,612	B2 *	1/2005	Bublewitz et al.	.....	366/172.1
D571,479	S *	6/2008	Wagner	.....	D24/220
D571,927	S *	6/2008	Wagner	.....	D24/220
2001/0005338	A1 *	6/2001	Muhlbauer et al.	.....	366/307

2002/0175186	A1 *	11/2002	Keller	.....	222/145.6
2003/0040241	A1 *	2/2003	Kiik et al.	.....	442/149
2003/0137898	A1 *	7/2003	Wagner et al.	.....	366/172.1
2004/0085854	A1 *	5/2004	Pauser et al.	.....	366/172.1

\* cited by examiner

*Primary Examiner*—Charles A Rademaker

(74) *Attorney, Agent, or Firm*—Rabin & Berdo, P.C.

(57) **CLAIM**

The ornamental design for a mixer for quantitative shot device, as shown and described.

**DESCRIPTION**

FIG. 1 is a front-top perspective view of a mixer for quantitative shot device showing my new design;

FIG. 2 is a front view thereof;

FIG. 3 is a rear view thereof;

FIG. 4 is a left side elevation view thereof;

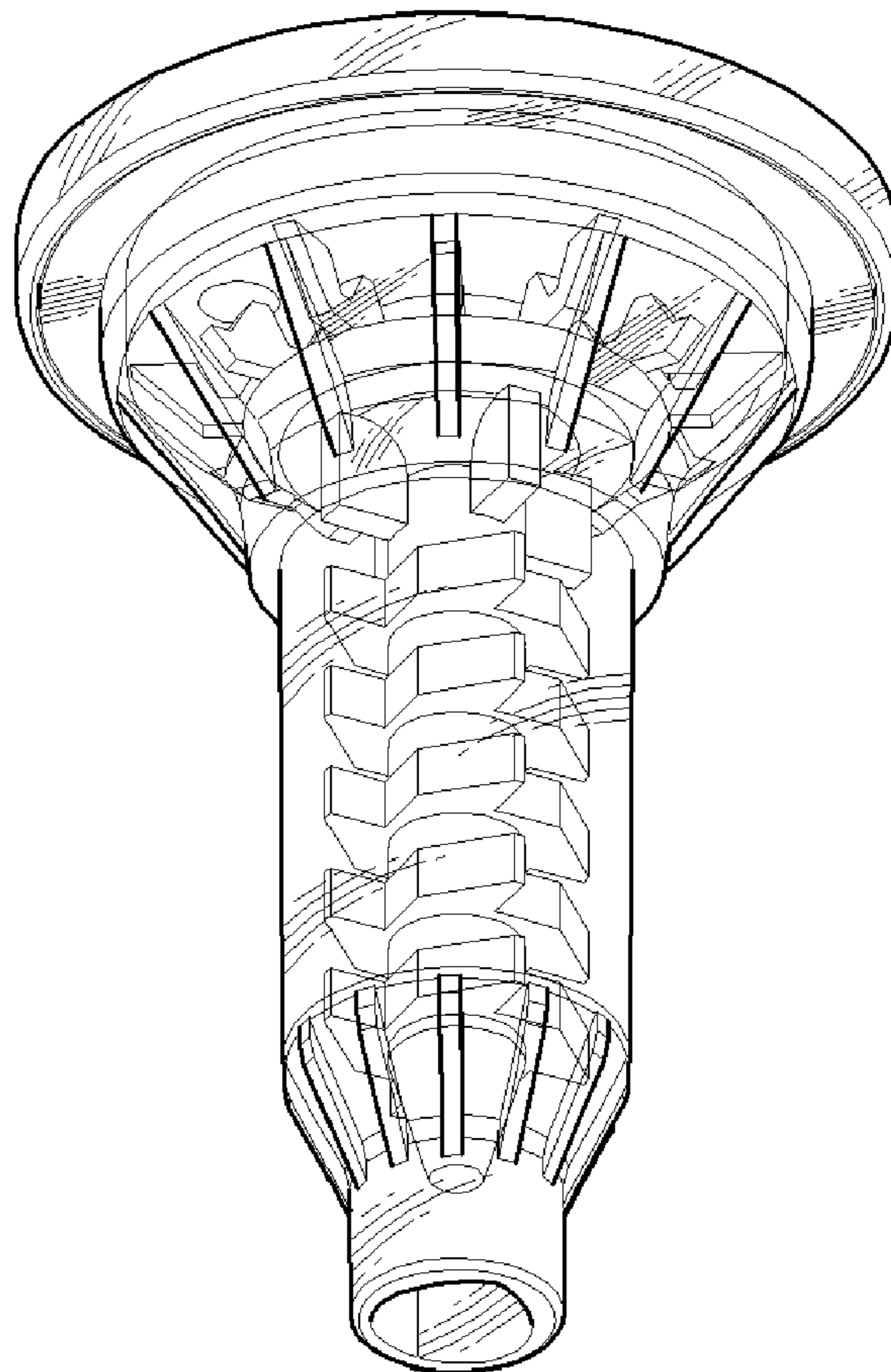
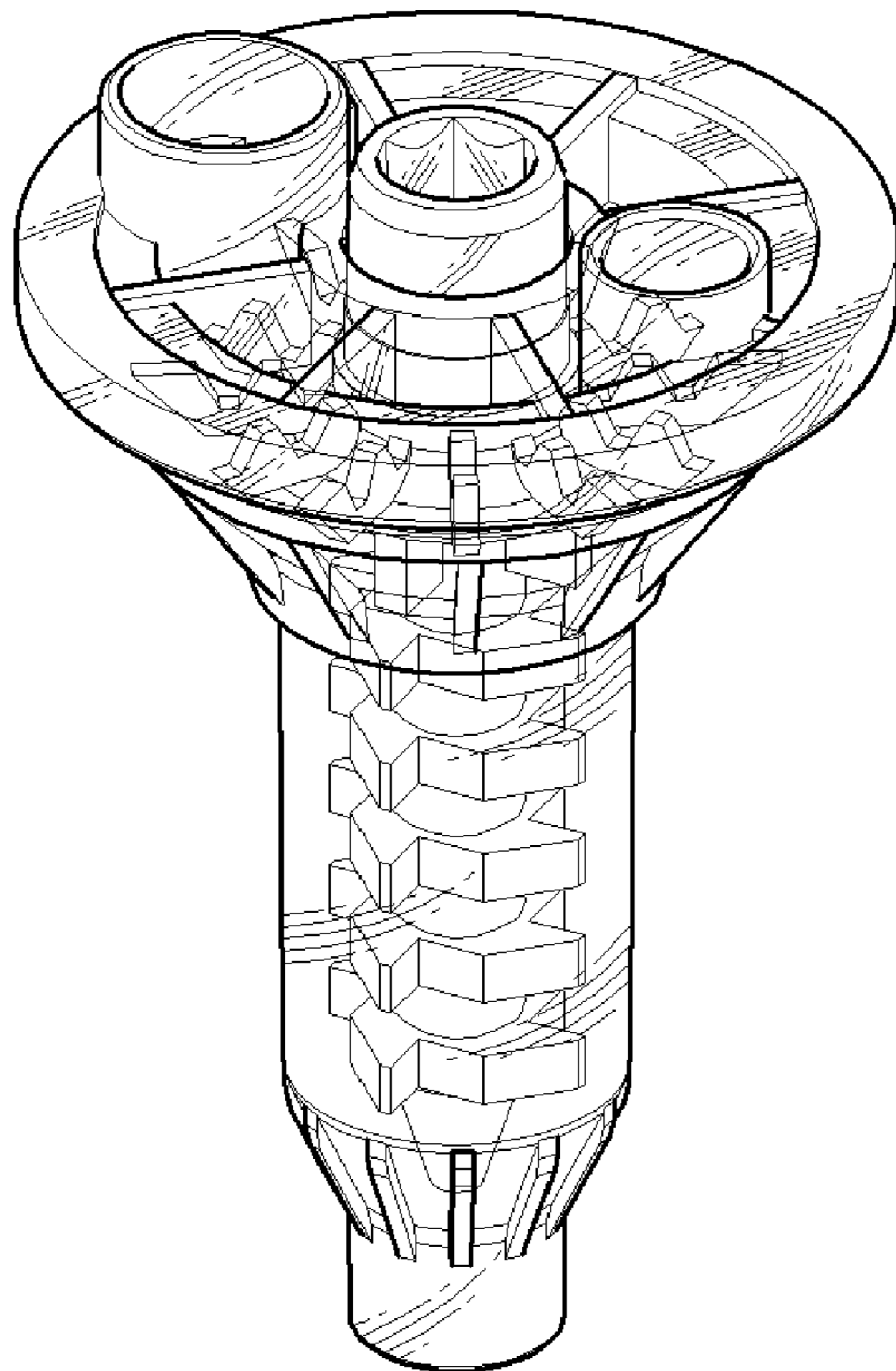
FIG. 5 is a right side elevation view thereof;

FIG. 6 is a top plan view thereof;

FIG. 7 is a bottom plan view thereof; and,

FIG. 8 is a front-bottom perspective view thereof.

**1 Claim, 5 Drawing Sheets**



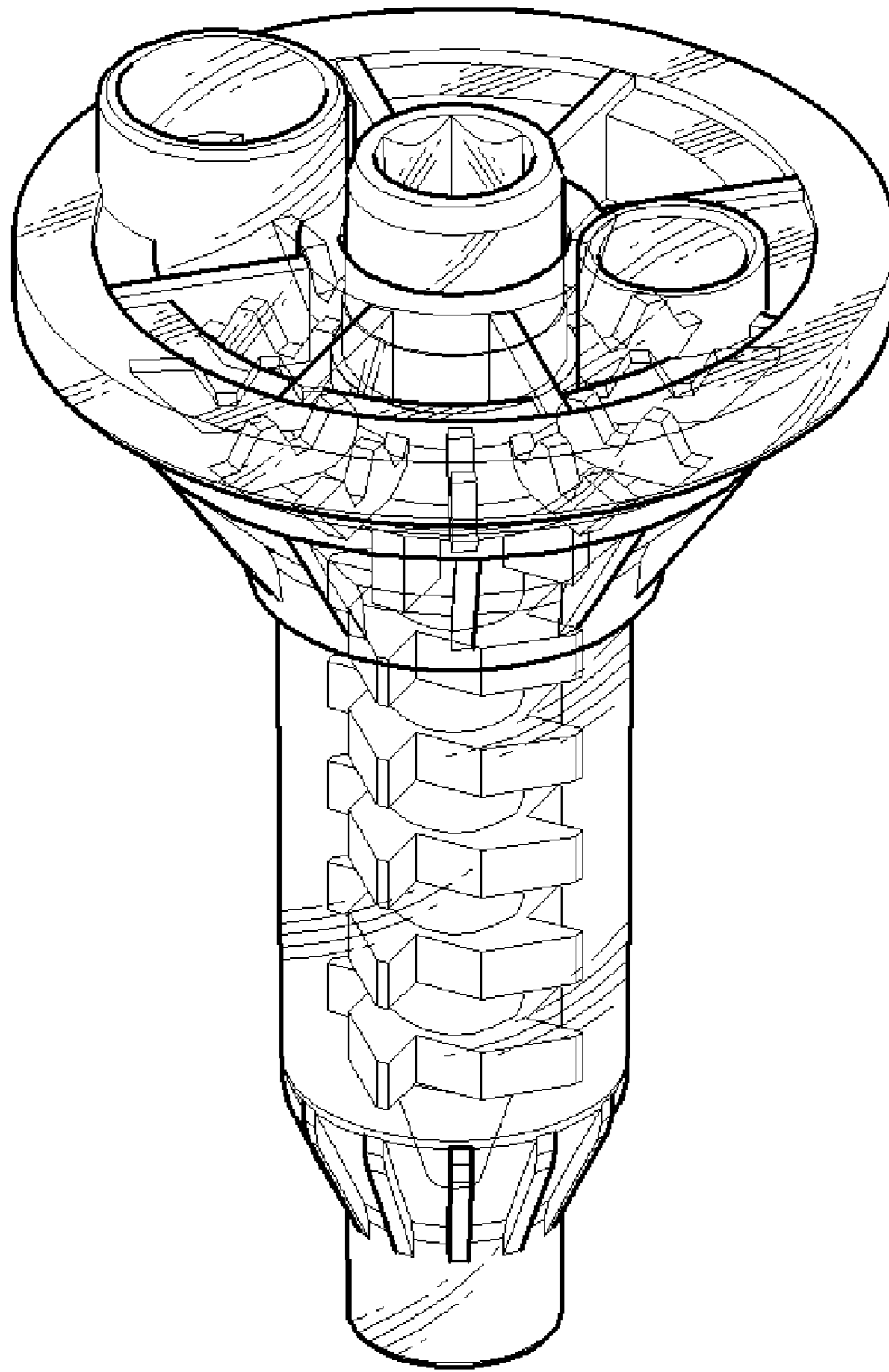


Fig. 1

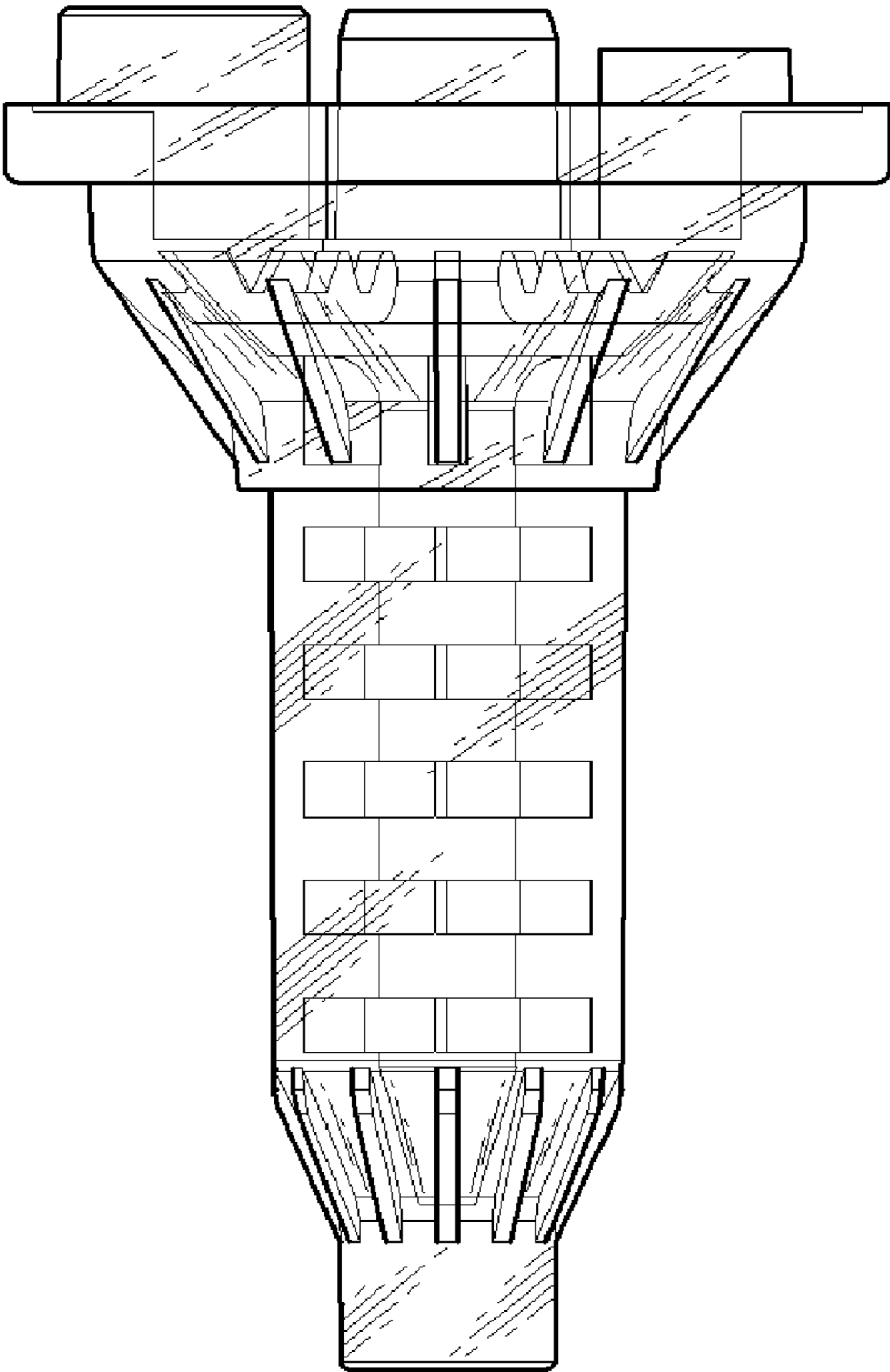


Fig.2

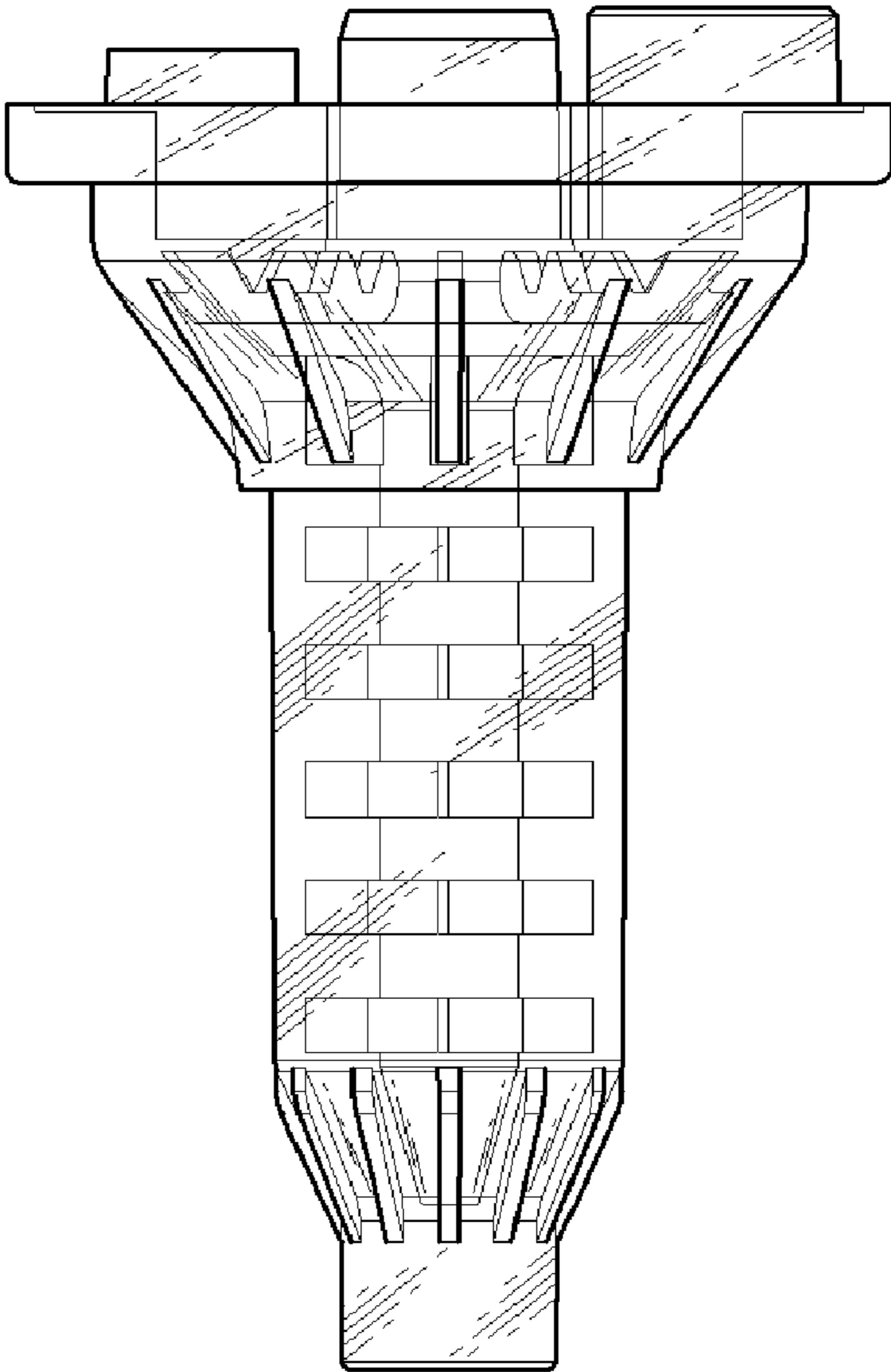


Fig.3

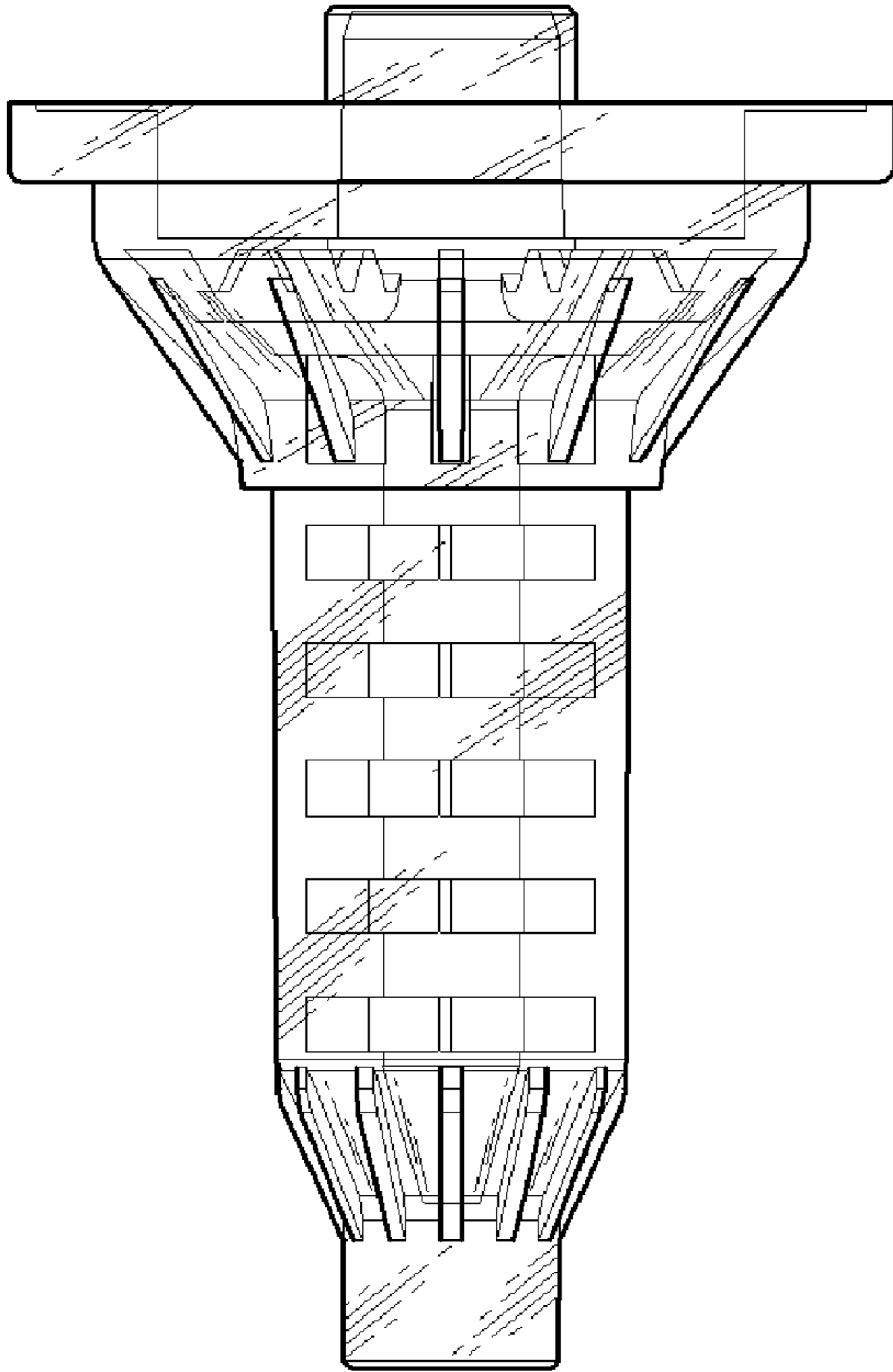


Fig.4

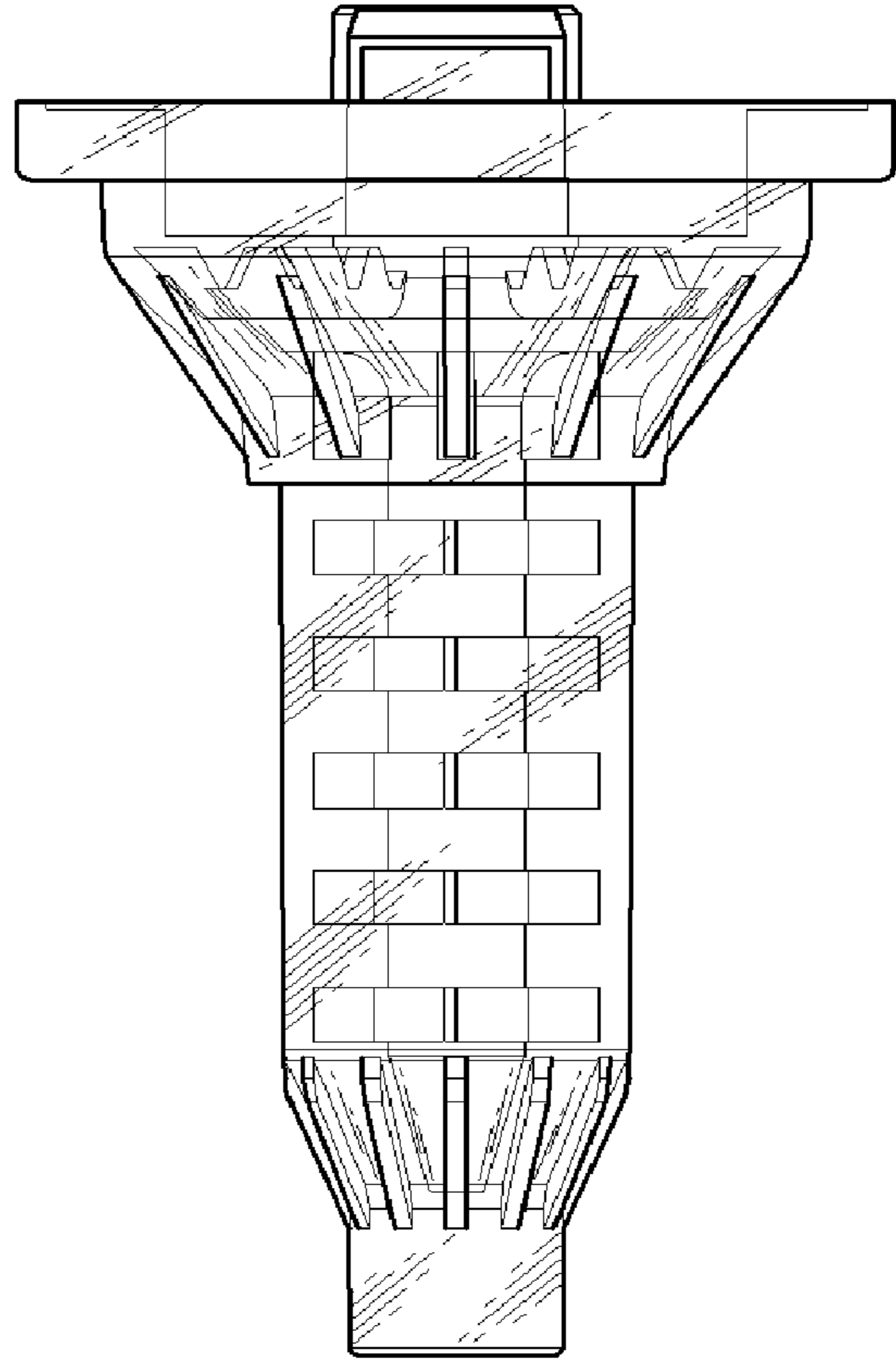


Fig.5

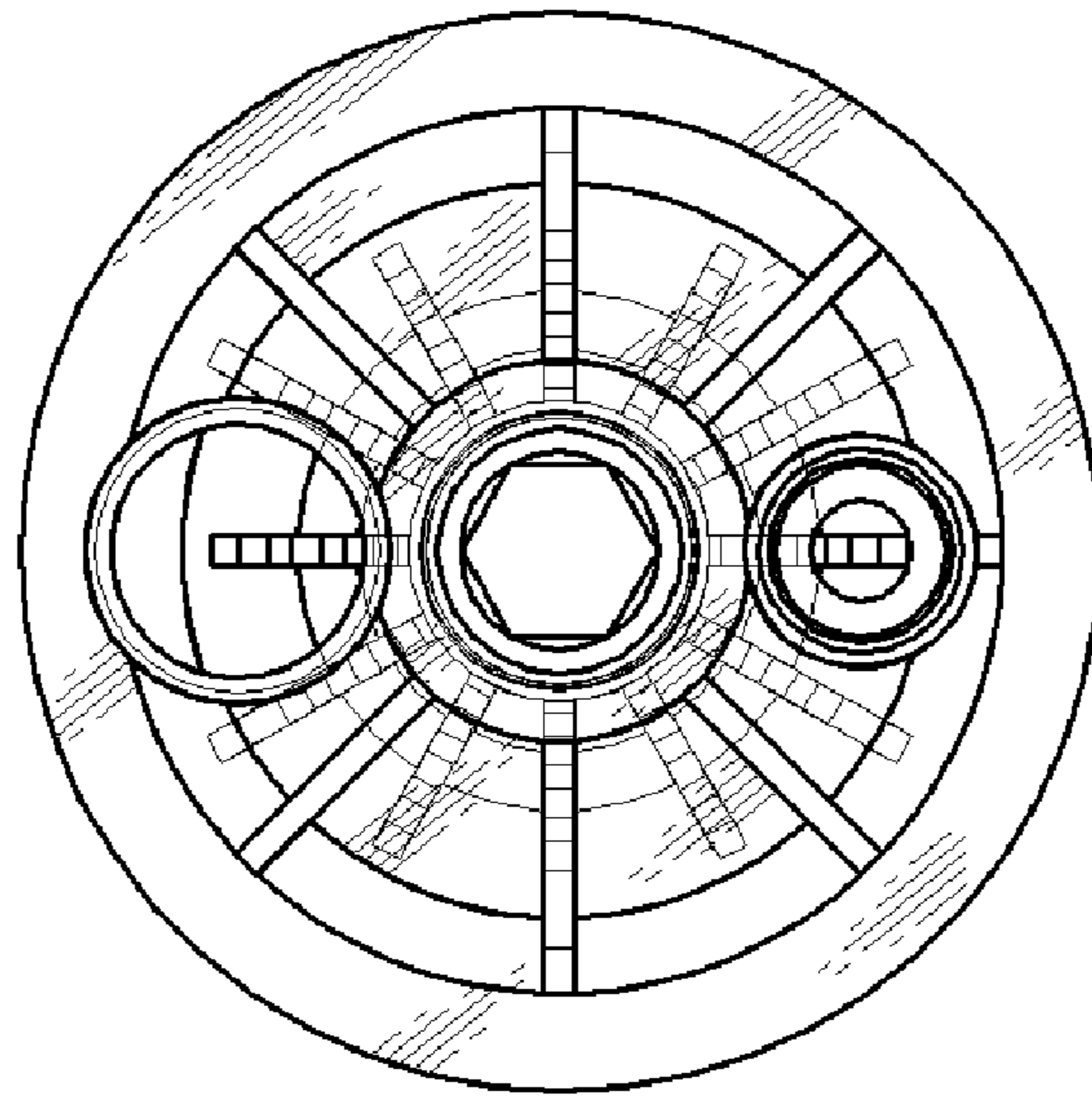


Fig.6

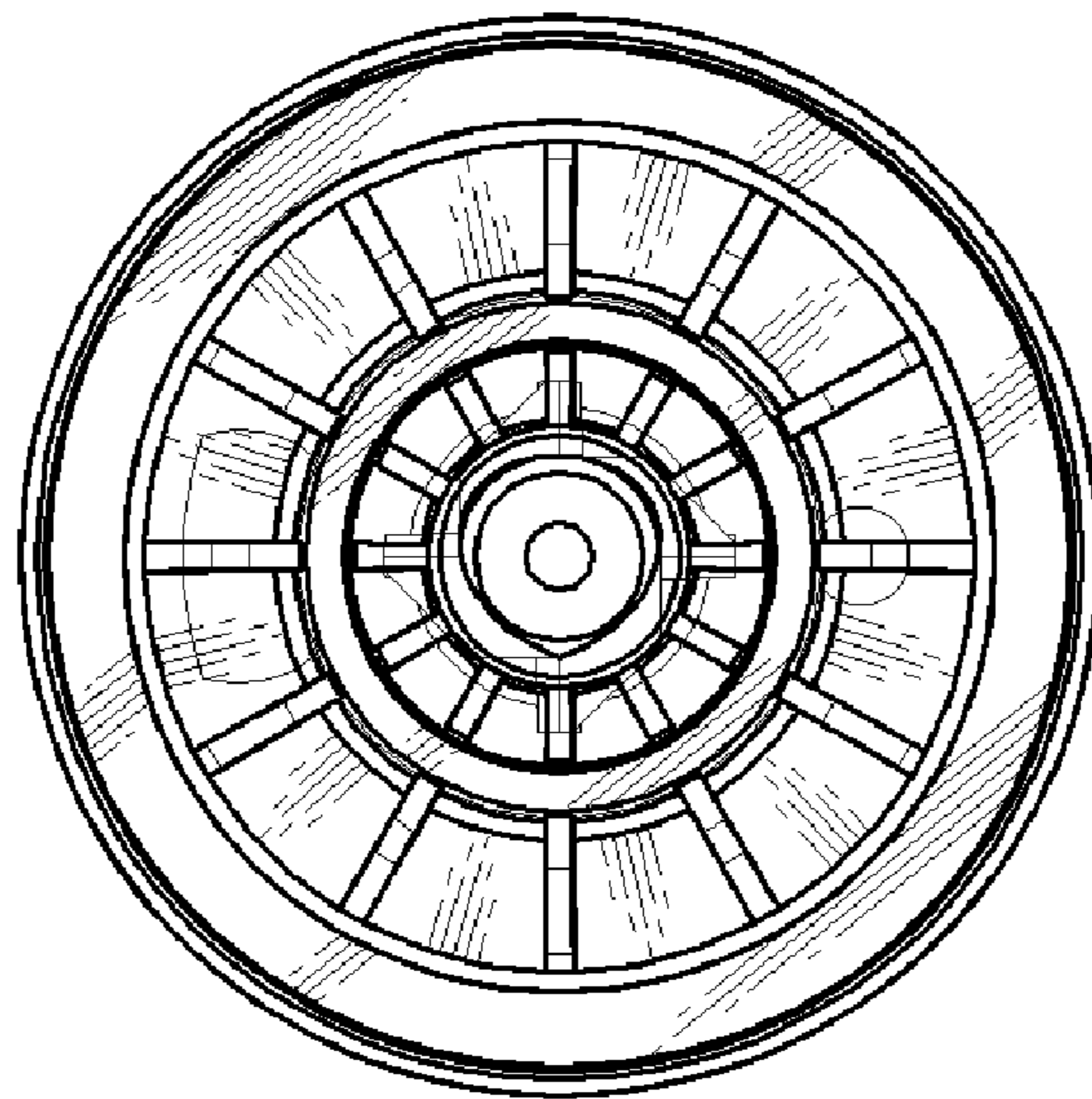


Fig.7

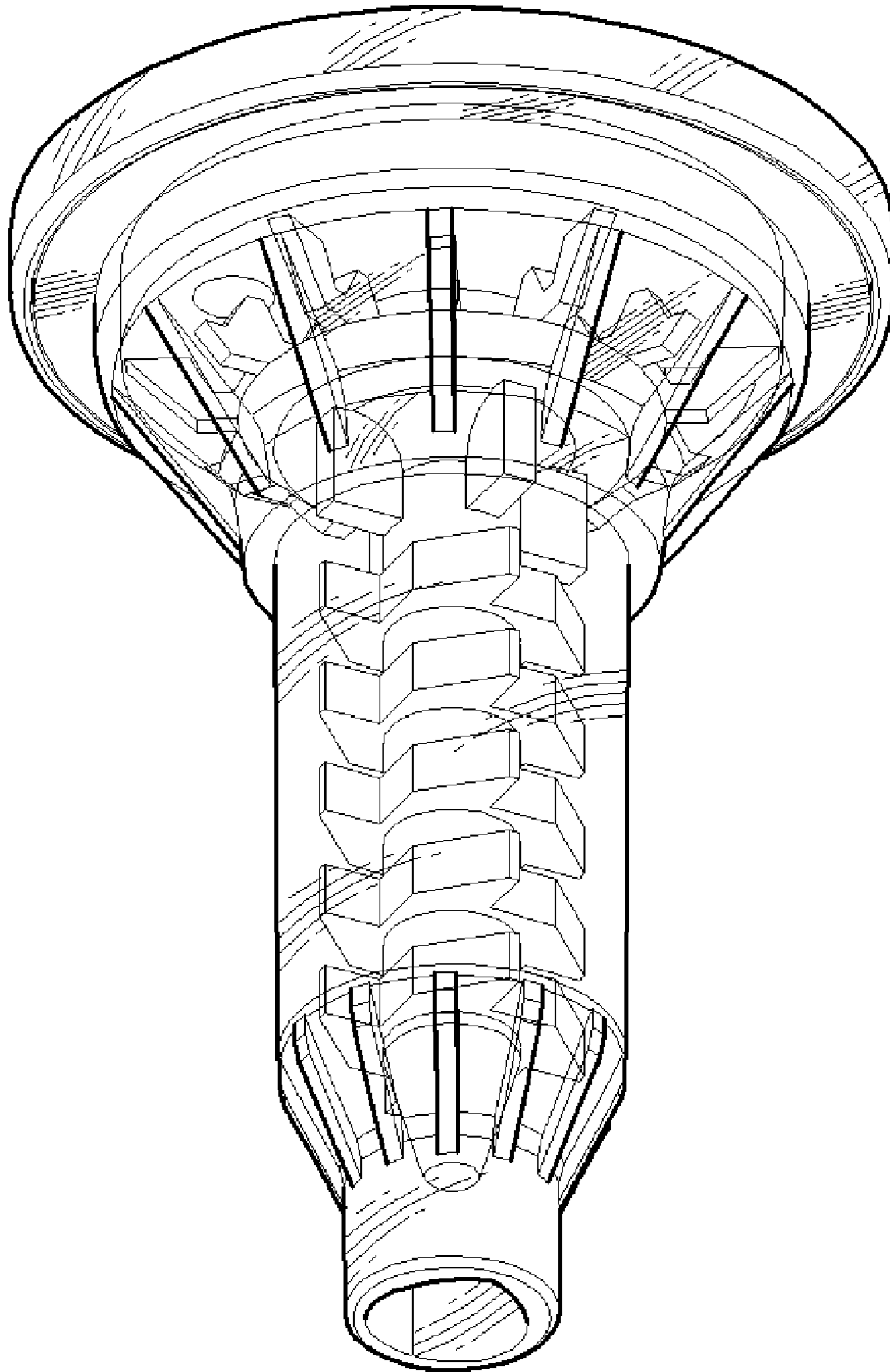


Fig.8