



US00D617000S

(12) **United States Design Patent**
Mills

(10) **Patent No.:** **US D617,000 S**
(45) **Date of Patent:** **** *Jun. 1, 2010**

- (54) **PERCUSSIVE MASSAGER**
- (75) Inventor: **Stephen B. Mills**, Atkinson, NH (US)
- (73) Assignee: **Brookstone Purchasing, Inc.**,
Merrimack, NH (US)
- (*) Notice: This patent is subject to a terminal disclaimer.
- (**) Term: **14 Years**
- (21) Appl. No.: **29/301,995**
- (22) Filed: **Mar. 26, 2008**

- (51) **LOC (9) Cl.** **28-03**
 - (52) **U.S. Cl.** **D24/215**
 - (58) **Field of Classification Search** D24/200,
D24/211-215; 601/11, 12, 15, 19, 40, 46,
601/52, 63, 94, 104, 107, 111, 118, 119,
601/121, 122, 128, 129, 134, 135, 136, 137,
601/138; 600/38, 39
- See application file for complete search history.

- (56) **References Cited**
- U.S. PATENT DOCUMENTS
- D367,712 S * 3/1996 Young D24/215
- D415,838 S * 10/1999 Noble D24/215
- D450,853 S * 11/2001 Spalding et al. D24/215
- D455,499 S * 4/2002 Kim D24/215
- D476,746 S * 7/2003 Harris et al. D24/215

- D478,385 S * 8/2003 Dirks et al. D24/215
- D531,733 S * 11/2006 Burout et al. D24/215
- 7,211,057 B2 * 5/2007 Gleason et al. 601/46
- 2005/0209537 A1 * 9/2005 Gleason et al. 601/15

* cited by examiner

Primary Examiner—Cathron C Brooks
Assistant Examiner—Melanie Levy
 (74) *Attorney, Agent, or Firm*—Grossman Tucker Perreault & Pflieger, PLLC

(57) **CLAIM**

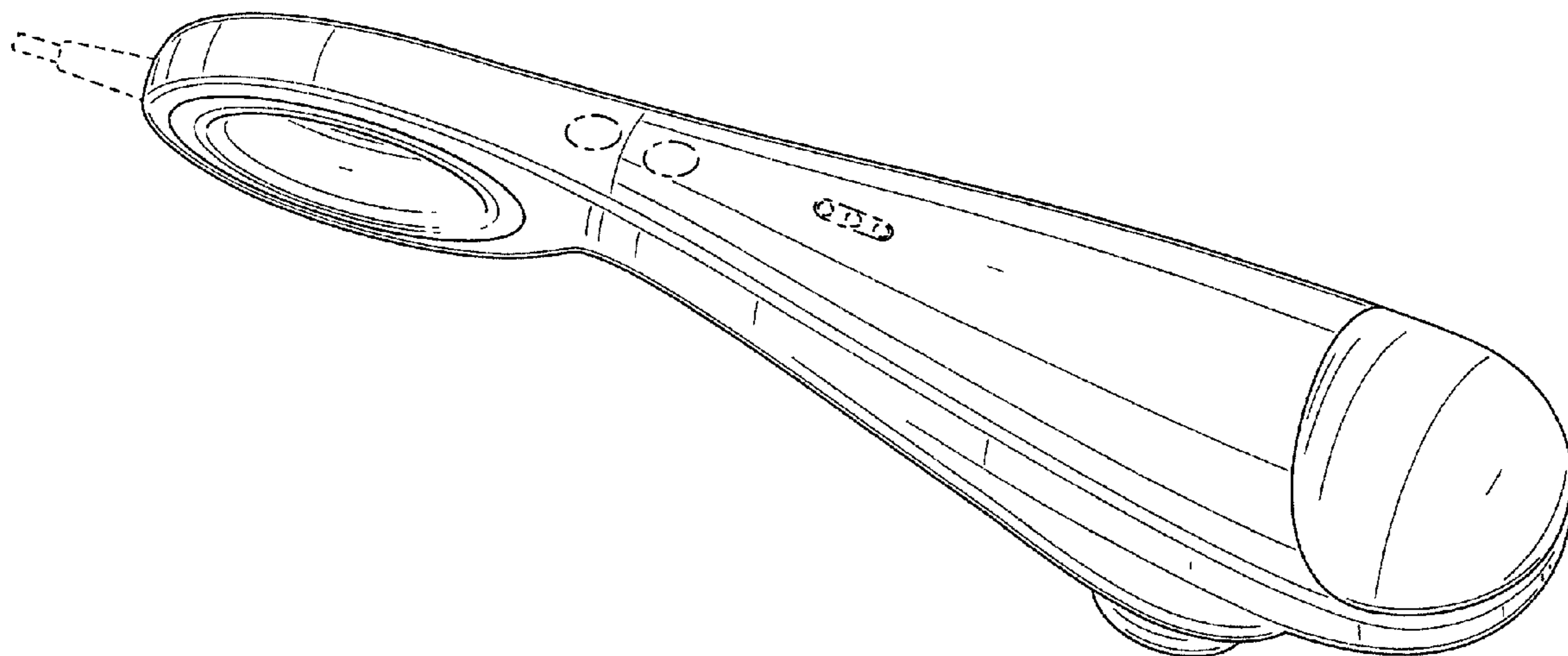
I claim the ornamental design for a percussive massager, as shown and described.

DESCRIPTION

- FIG. 1 is a frontal perspective view of a percussive massager.
- FIG. 2 is a frontal plan view thereof.
- FIG. 3 is a rear plan view thereof.
- FIG. 4 is a right side perspective view thereof.
- FIG. 5 is a left side perspective view thereof.
- FIG. 6 is a top plan view thereof; and,
- FIG. 7 is a bottom plan view thereof.

The portions of the percussive massager in broken lines are shown for illustrative purposes only and form no part of the claimed design.

1 Claim, 4 Drawing Sheets



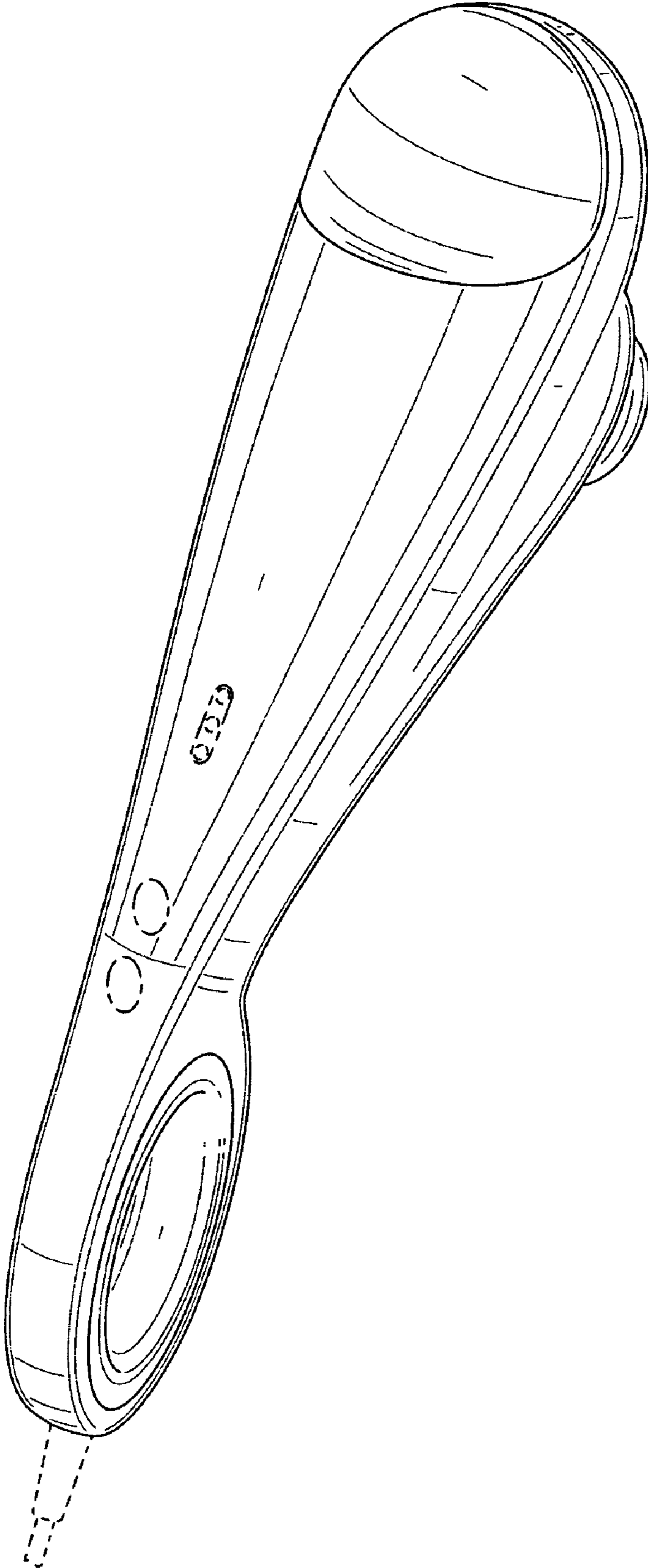


FIG. 1

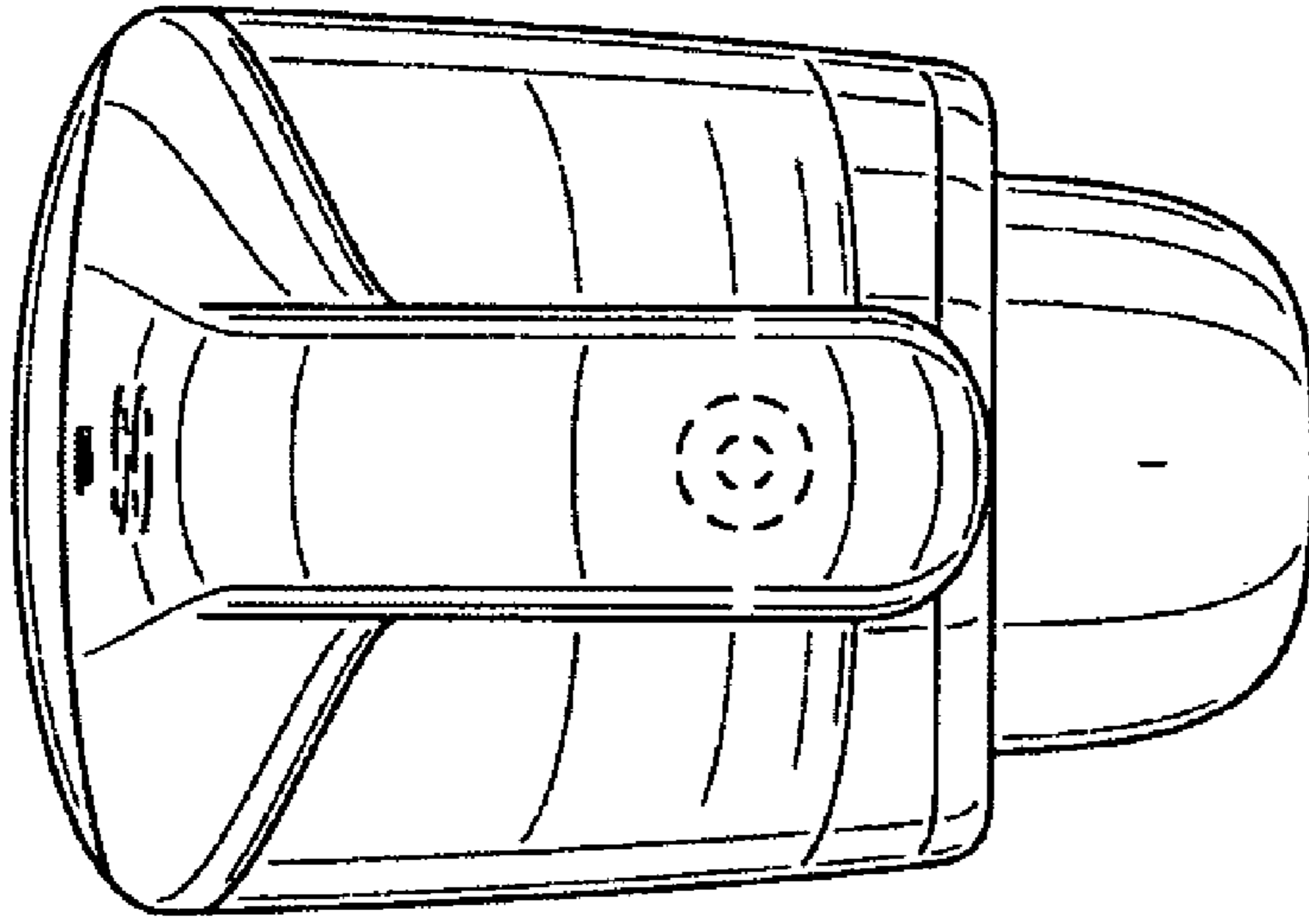


FIG. 2

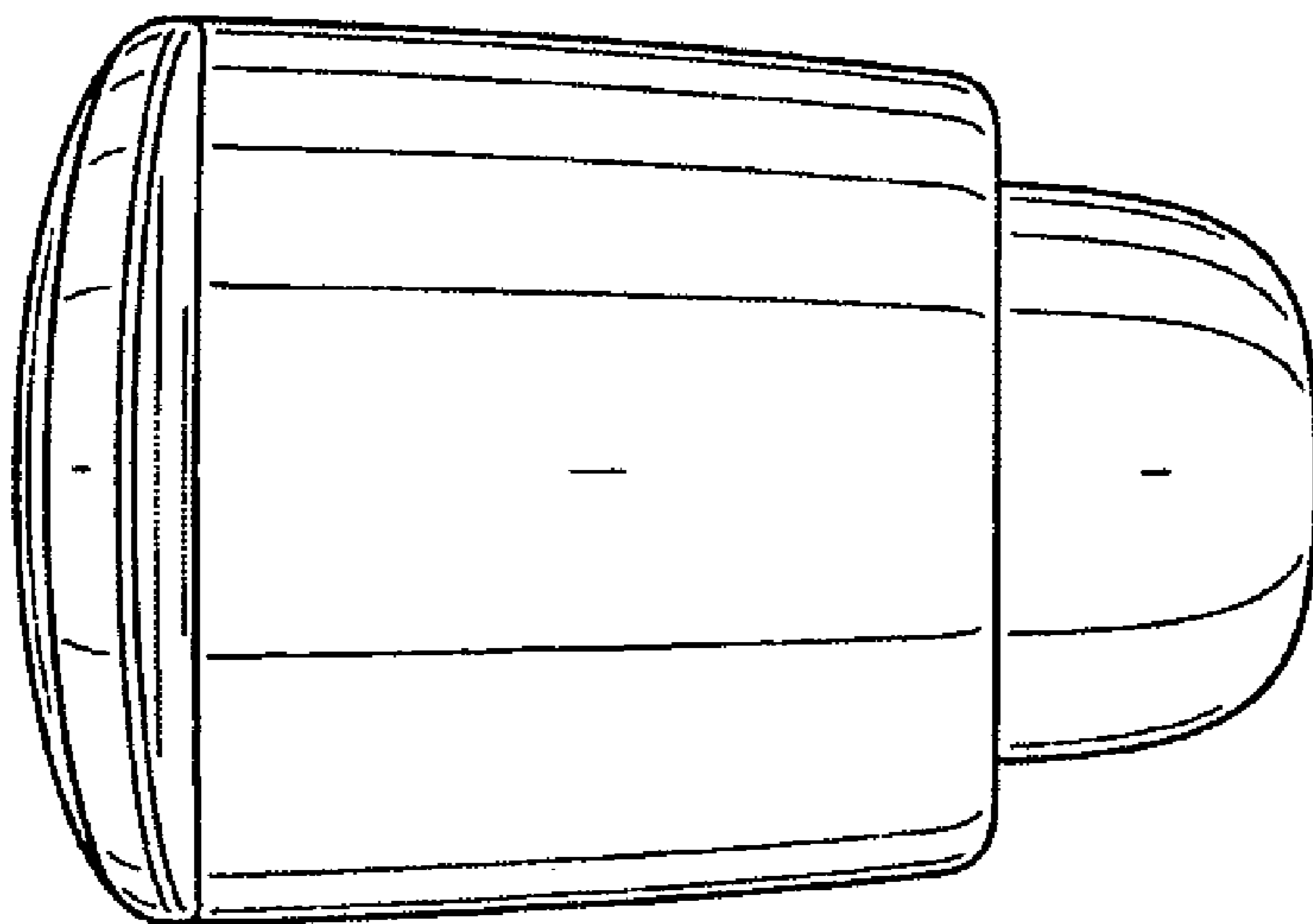


FIG. 3

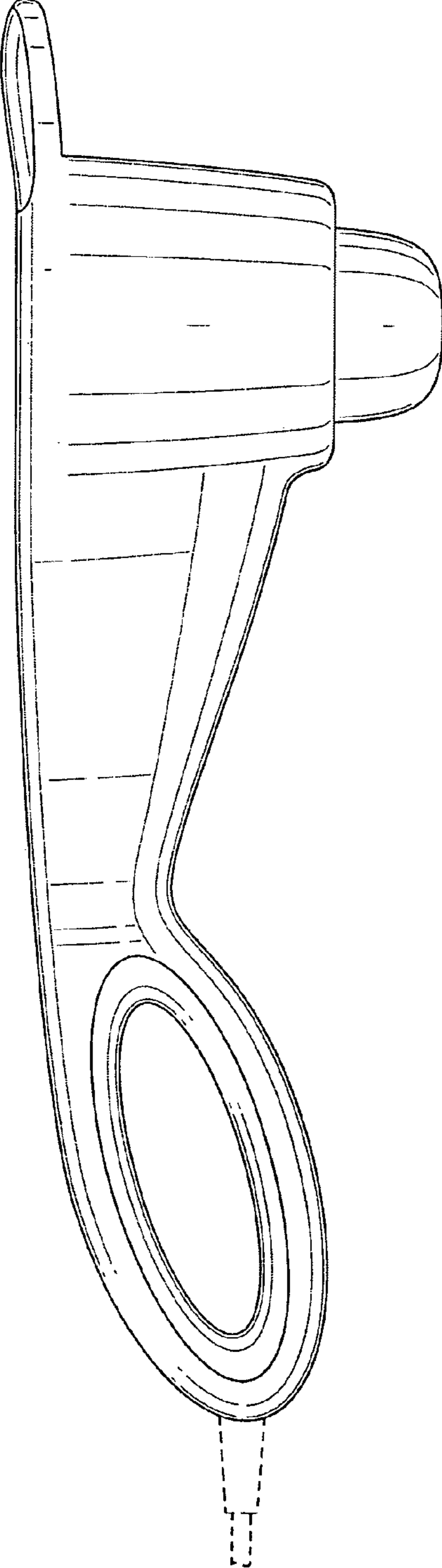


FIG. 4

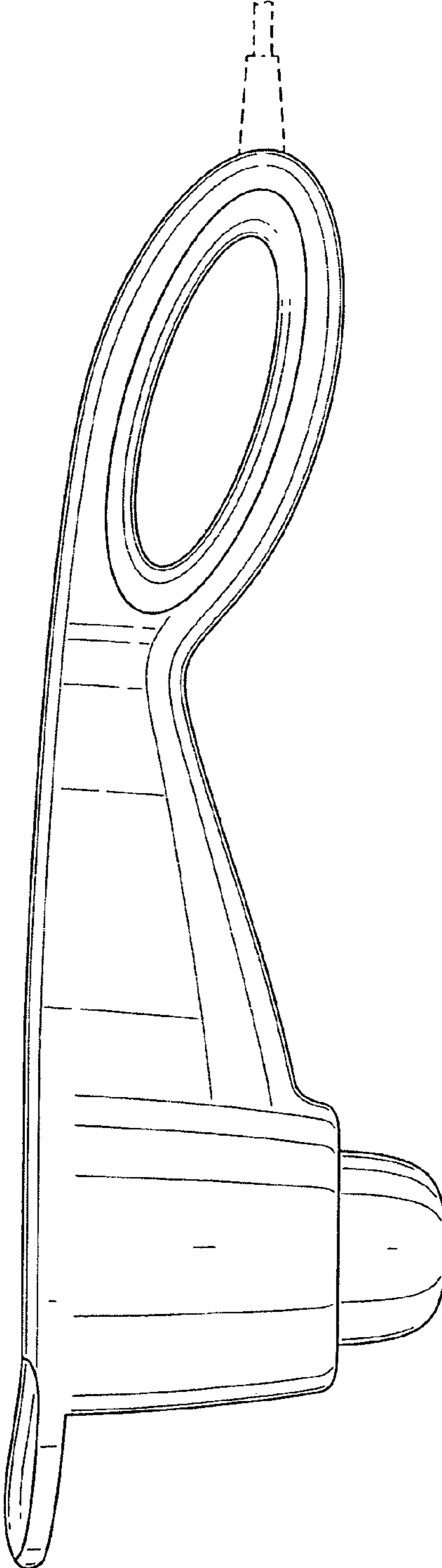


FIG. 5

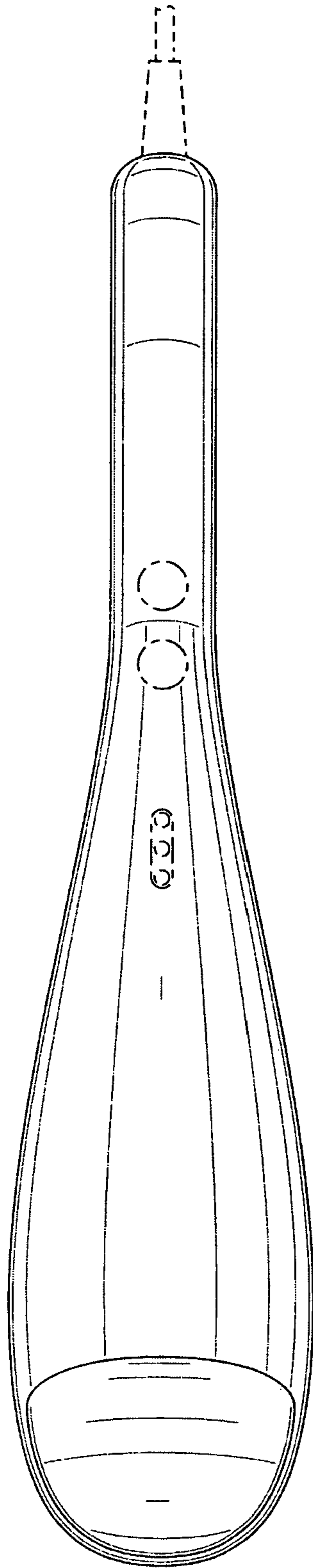


FIG. 6

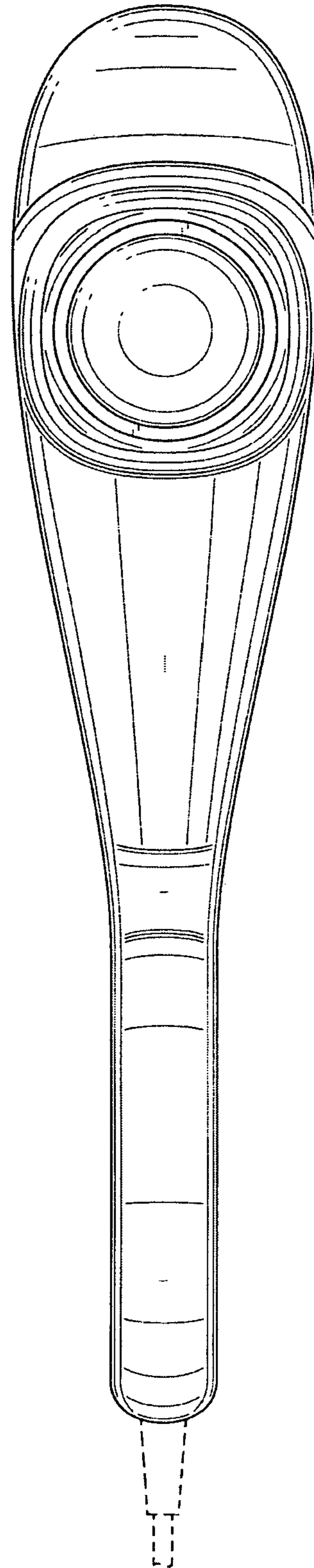


FIG. 7