



US00D616996S

(12) **United States Design Patent**  
**Thorgilsdottir et al.**

(10) **Patent No.:** **US D616,996 S**  
(45) **Date of Patent:** **\*\* Jun. 1, 2010**

(54) **ORTHOPEDIC DEVICE**

(75) Inventors: **Thora Thorgilsdottir**, Reykjavik (IS);  
**Arni Thor Ingimundarson**, Ladera  
Ranch, CA (US); **Palmi Einarsson**, San  
Juan Capistrano, CA (US)

(73) Assignee: **Ossur HF**, Reykjavik (IS)

(\*\*) Term: **14 Years**

(21) Appl. No.: **29/343,455**

(22) Filed: **Sep. 14, 2009**

(51) **LOC (9) Cl.** ..... **24-01**

(52) **U.S. Cl.** ..... **D24/190; D24/191**

(58) **Field of Classification Search** ..... D24/190,  
D24/191; 602/5, 17-20, 36-37; 128/97.1,  
128/845, 857, DIG. 23; 2/462, 468; D29/108;  
D2/602; 5/636, 640; 606/54, 306, 319, 331,  
606/907

See application file for complete search history.

(56) **References Cited**

**U.S. PATENT DOCUMENTS**

2,474,200	A *	6/1949	McBee	602/18
2,692,595	A *	10/1954	Blair, Jr.	602/17
2,807,260	A *	9/1957	Teufel	602/17
2,818,063	A	12/1957	Smith et al.	
2,820,455	A *	1/1958	Hall	602/18
2,904,040	A *	9/1959	Hale	602/18
2,911,970	A	11/1959	Bartels et al.	
3,024,784	A	3/1962	Monfardini	
3,042,027	A	7/1962	Monfardini	
3,306,284	A	2/1967	McKinley	
3,313,297	A *	4/1967	Applegate et al.	602/18
3,504,667	A	4/1970	McFarlane	
3,507,273	A *	4/1970	Yellin	602/18
3,512,523	A	5/1970	Barnett	
3,756,226	A	9/1973	Calabrese et al.	
3,916,885	A	11/1975	Gaylord, Jr.	
4,161,946	A *	7/1979	Zuesse	602/36
4,205,667	A	6/1980	Gaylord, Jr.	
4,401,111	A	8/1983	Blackstone	

4,413,619	A	11/1983	Garth	
4,502,471	A *	3/1985	Owens	602/18
4,538,597	A	9/1985	Lerman	
4,712,540	A	12/1987	Tucker et al.	
4,745,922	A	5/1988	Taylor	
4,886,052	A	12/1989	Calabrese	
4,940,043	A	7/1990	Burns et al.	
5,005,563	A	4/1991	Veale	

(Continued)

*Primary Examiner*—Philip S Hyder

*Assistant Examiner*—Susan E Krakower

(74) *Attorney, Agent, or Firm*—Bacon & Thomas, PLLC

(57) **CLAIM**

The ornamental design for an orthopedic device, as shown and described.

**DESCRIPTION**

FIG. 1 is a first perspective view of the orthopedic device according to the invention with the phantom lines depicting solely environmental and supplementary structure, and forming no part of the claimed design of this embodiment.

FIG. 2 is a second perspective view of the orthopedic device of FIG. 1.

FIG. 3 is a front elevational view according to the orthopedic device of FIG. 1.

FIG. 4 is a rear elevational view according to the orthopedic device of FIG. 1.

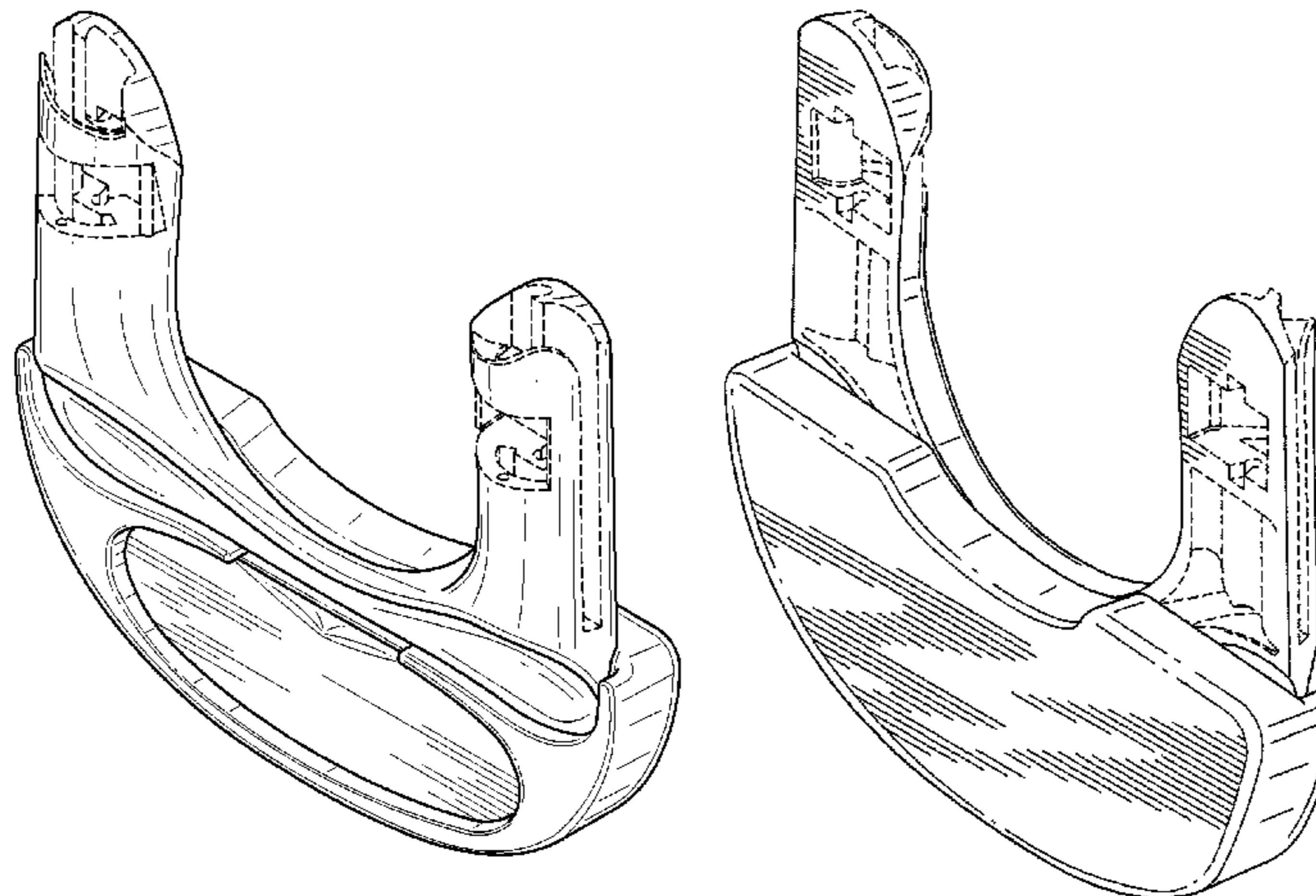
FIG. 5 is a first side elevational view according to the orthopedic device of FIG. 1.

FIG. 6 is a second side elevational view according to the orthopedic device of FIG. 1.

FIG. 7 is a top plan view according to the orthopedic device of FIG. 1; and,

FIG. 8 is a bottom plan view according to the orthopedic device of FIG. 1.

**1 Claim, 6 Drawing Sheets**



# US D616,996 S

U.S. PATENT DOCUMENTS					
			6,071,256 A	6/2000	Lam
			6,090,058 A	7/2000	Traut et al.
			6,165,146 A	12/2000	Giebeler
			6,245,033 B1	6/2001	Martin
			6,254,560 B1	7/2001	Tweardy et al.
			6,308,345 B1	10/2001	Williams, Jr.
			6,423,020 B1	7/2002	Koledin
			6,458,090 B1	10/2002	Walpin
			6,494,854 B1	12/2002	Visness et al.
			D475,139 S	5/2003	Myoga
			6,663,581 B1	12/2003	Calabrese
			6,663,630 B2	12/2003	Farley et al.
			6,726,643 B1	4/2004	Martin
			6,740,055 B2	5/2004	Dominguez
			6,770,046 B2	8/2004	Hansen
			6,872,188 B2	3/2005	Caille et al.
			6,913,584 B2	7/2005	Rudy, Jr. et al.
			6,921,376 B2	7/2005	Tweardy et al.
			6,926,686 B2	8/2005	Cheatham
			7,018,351 B1	3/2006	Iglesias et al.
			7,041,073 B1	5/2006	Patron
			7,070,573 B2	7/2006	Axelsson
			7,090,652 B2	8/2006	Santelli, Jr.
			7,090,653 B2	8/2006	Moeller
			7,128,724 B2	10/2006	Marsh
			7,141,031 B2	11/2006	Garth et al.
			7,198,610 B2	4/2007	Ingimundarson et al.
			D542,919 S	5/2007	Leatt
			7,258,677 B2	8/2007	Rudy, Jr. et al.
			7,291,121 B2	11/2007	Rudy, Jr. et al.
			7,297,127 B2	11/2007	Lee et al.
			7,371,221 B1	5/2008	Baker
			7,371,222 B2	5/2008	Heinz et al.
			7,399,288 B2	7/2008	Chao
			D592,310 S *	5/2009	Leatt et al. .... D24/191
			2002/0138028 A1	9/2002	Rudy, Jr. et al.
			2002/0156408 A1	10/2002	Cheatham
			2002/0156409 A1	10/2002	Lee et al.
			2002/0169401 A1	11/2002	Walpin
			2002/0173737 A1	11/2002	Miyaji et al.
			2003/0055367 A1	3/2003	Dominguez
			2003/0060744 A1	3/2003	Caille et al.
			2003/0181838 A1	9/2003	Garth
			2004/0039318 A1	2/2004	Santelli, Jr.
			2005/0101896 A1	5/2005	Calabrese
			2007/0027418 A1	2/2007	Calco et al.
			2007/0270728 A1	11/2007	Chao
			2009/0187129 A1 *	7/2009	Ben-Galim et al. .... 602/18
					* cited by examiner
5,038,759 A	8/1991	Morgenstern			
5,058,572 A	10/1991	Schmid et al.			
5,097,824 A	3/1992	Garth			
5,141,489 A *	8/1992	Sereboff ..... 602/18			
5,156,588 A	10/1992	Marcune et al.			
5,180,361 A	1/1993	Moore et al.			
5,215,517 A	6/1993	Stevenson et al.			
5,230,698 A	7/1993	Garth			
5,275,581 A	1/1994	Bender			
5,302,170 A	4/1994	Tweardy			
RE034,714 E	8/1994	Burns et al.			
5,366,438 A	11/1994	Martin, Sr.			
5,385,535 A	1/1995	McGuinness			
5,433,696 A	7/1995	Osti			
5,437,612 A	8/1995	Moore et al.			
5,445,602 A	8/1995	Grim et al.			
D368,527 S	4/1996	Brooke			
D369,660 S	5/1996	Myoga			
5,520,619 A	5/1996	Martin			
RE035,290 E	7/1996	Druskoczi			
5,588,957 A	12/1996	Martin, Sr.			
5,593,382 A	1/1997	Rudy, Jr. et al.			
5,622,529 A	4/1997	Calabrese			
5,624,387 A	4/1997	McGuinness			
D379,232 S	5/1997	Brooke			
5,632,722 A	5/1997	Tweardy et al.			
5,688,229 A	11/1997	Bauer			
5,716,335 A	2/1998	Iglesias et al.			
5,728,054 A	3/1998	Martin			
D393,718 S	4/1998	Traut et al.			
5,785,670 A	7/1998	Hiebert			
5,788,658 A	8/1998	Islava			
5,795,315 A	8/1998	Traut et al.			
5,797,713 A	8/1998	Tweardy et al.			
5,797,863 A	8/1998	Kohnke			
5,865,773 A	2/1999	Koledin			
5,904,662 A	5/1999	Myoga			
5,964,722 A	10/1999	Goralnik et al.			
5,976,098 A	11/1999	Sereboff			
5,993,403 A	11/1999	Martin			
6,027,467 A	2/2000	Nakamura et al.			
6,036,664 A	3/2000	Martin, Sr. et al.			
D422,710 S	4/2000	Maynard			
6,045,523 A	4/2000	Donaldson			
6,050,965 A	4/2000	Pillai			
6,056,711 A	5/2000	Domanski et al.			
6,058,517 A	5/2000	Hartunian			
RE036,745 E	6/2000	Rudy, Jr. et al.			
6,071,255 A	6/2000	Calabrese			

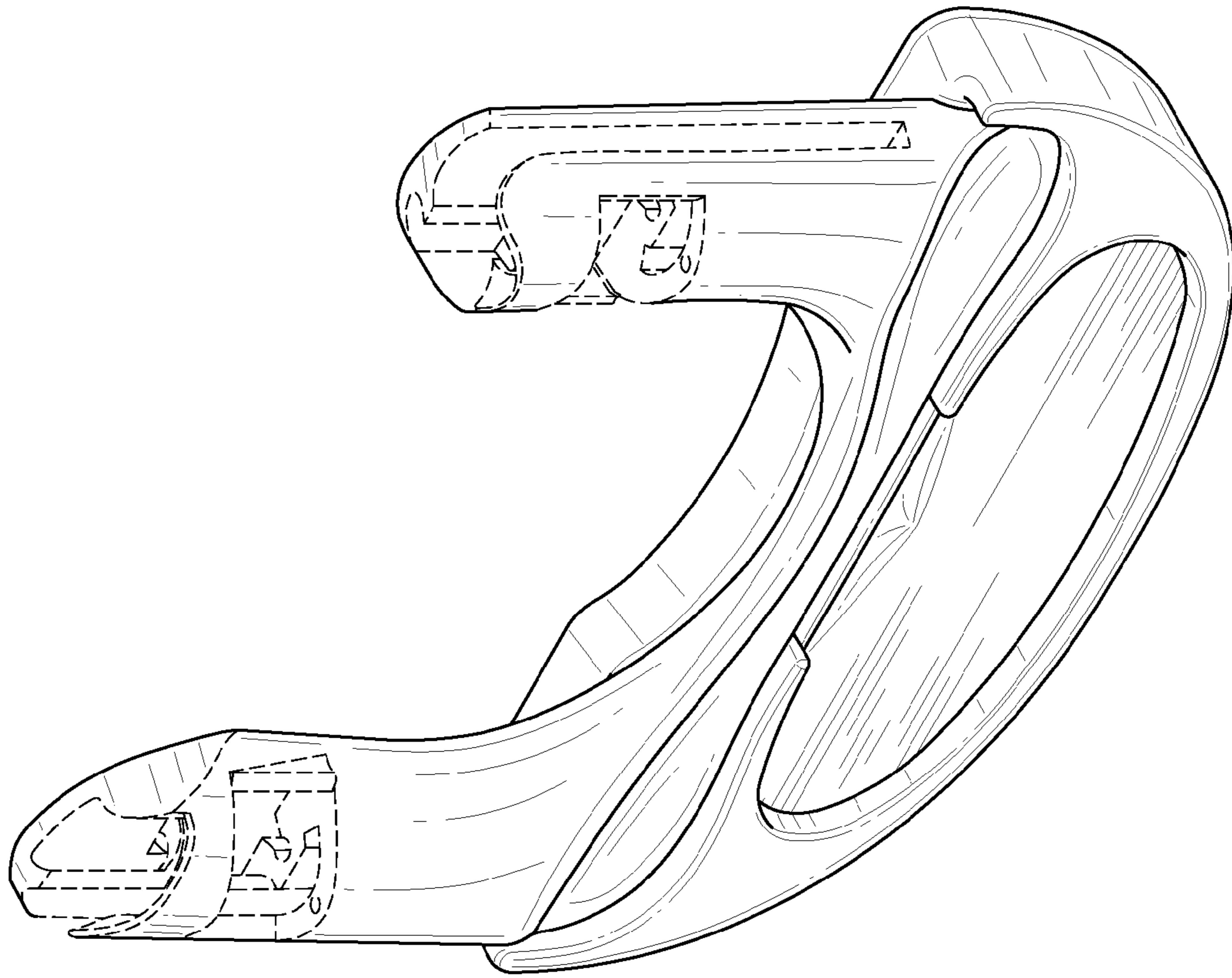


FIG. 1

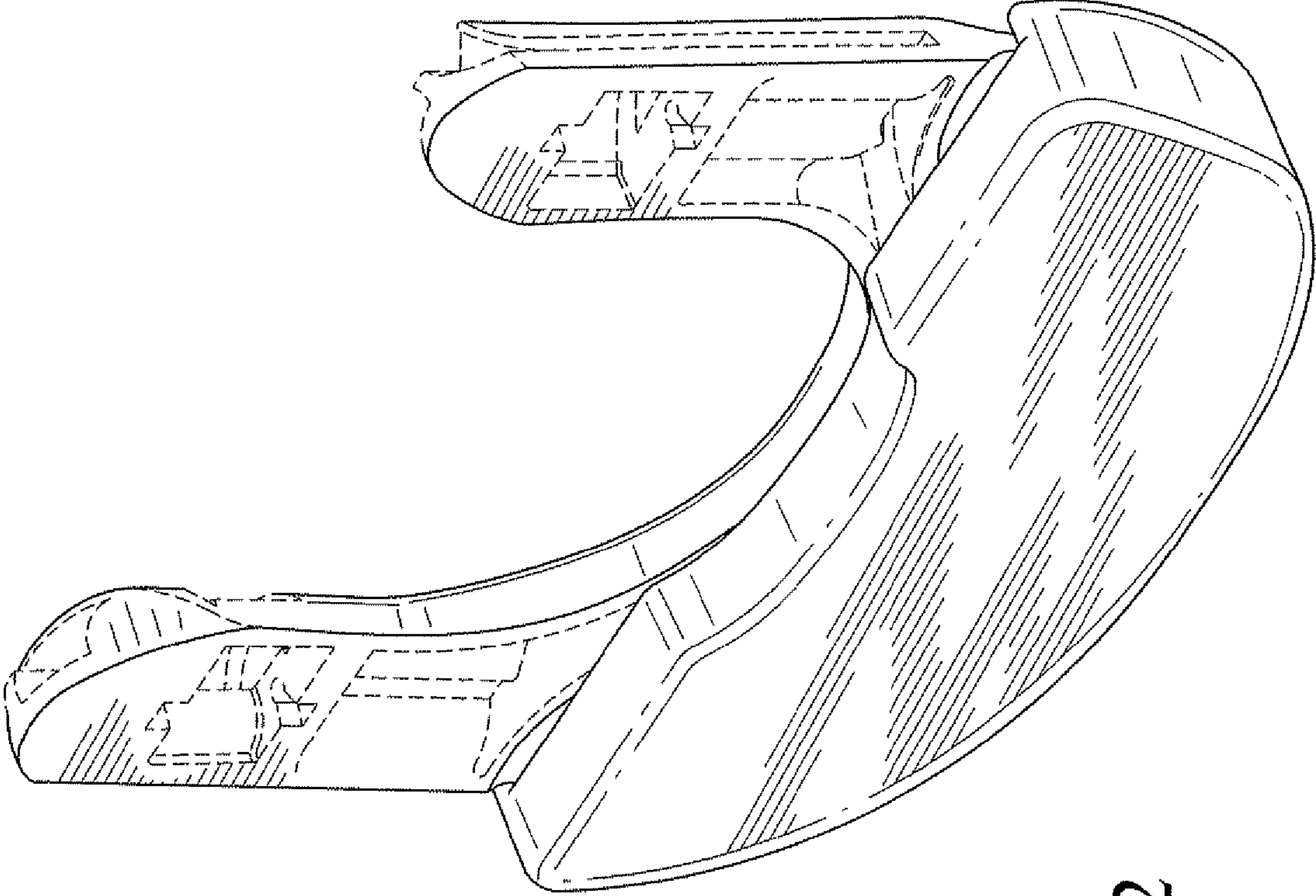


FIG. 2

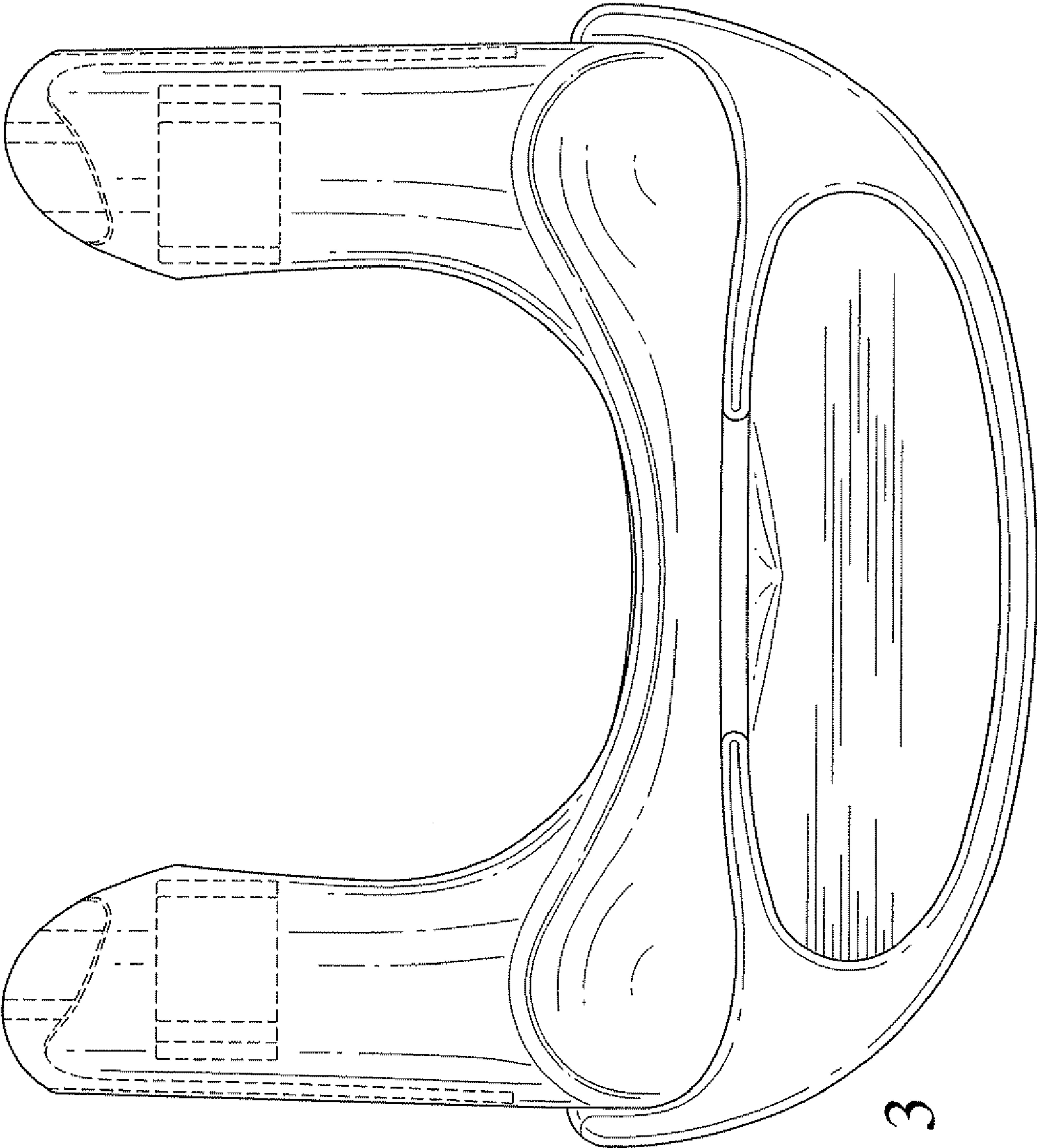


FIG. 3

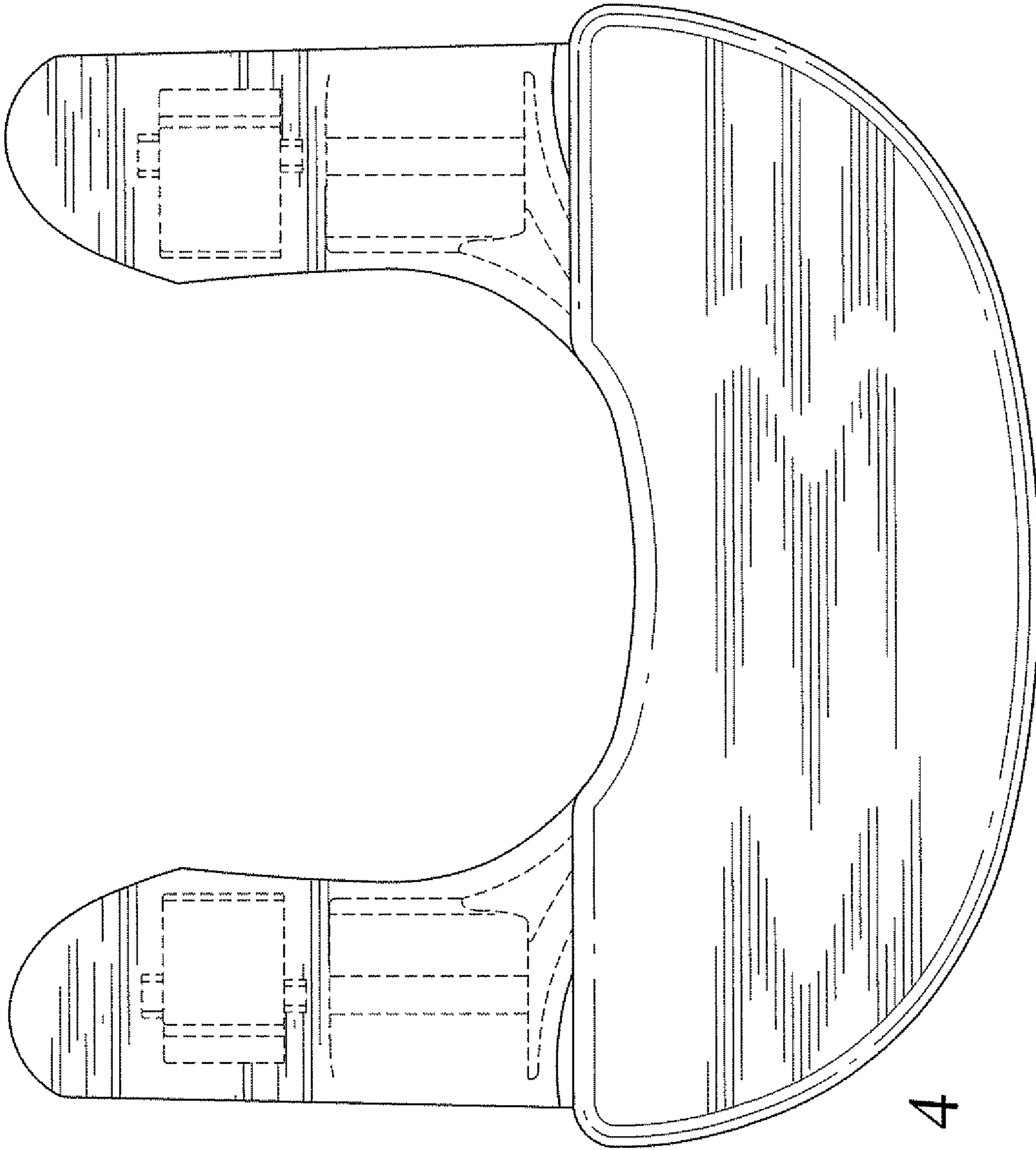


FIG. 4

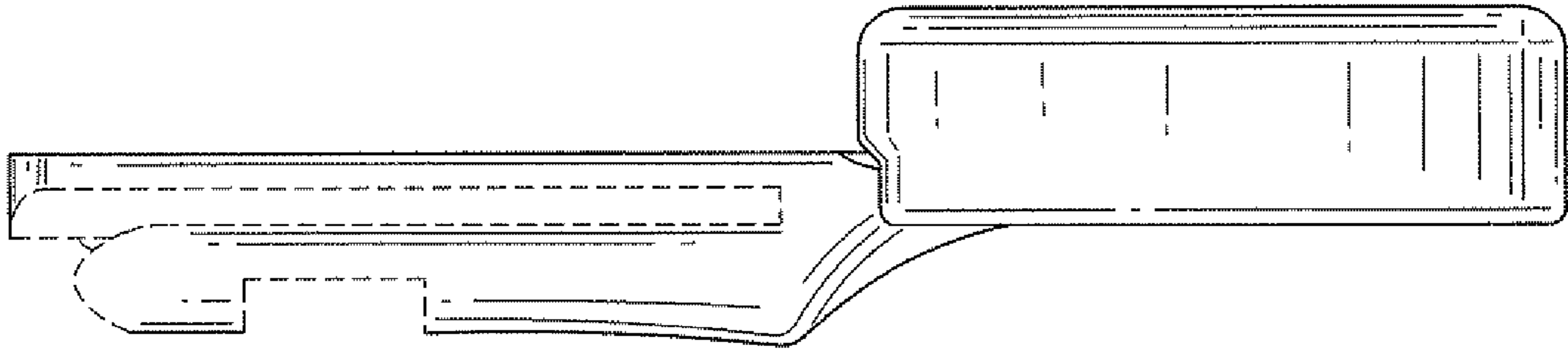


FIG. 6

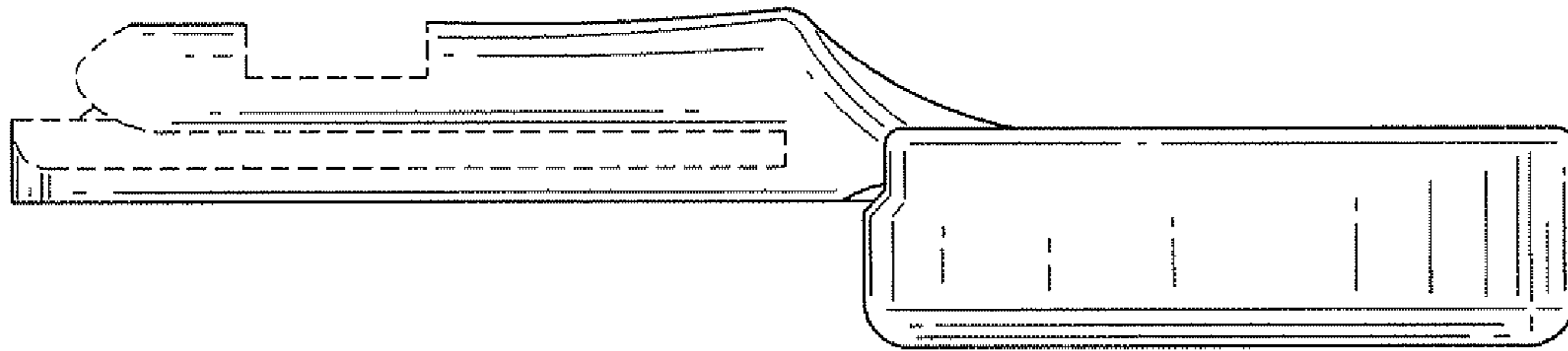


FIG. 5

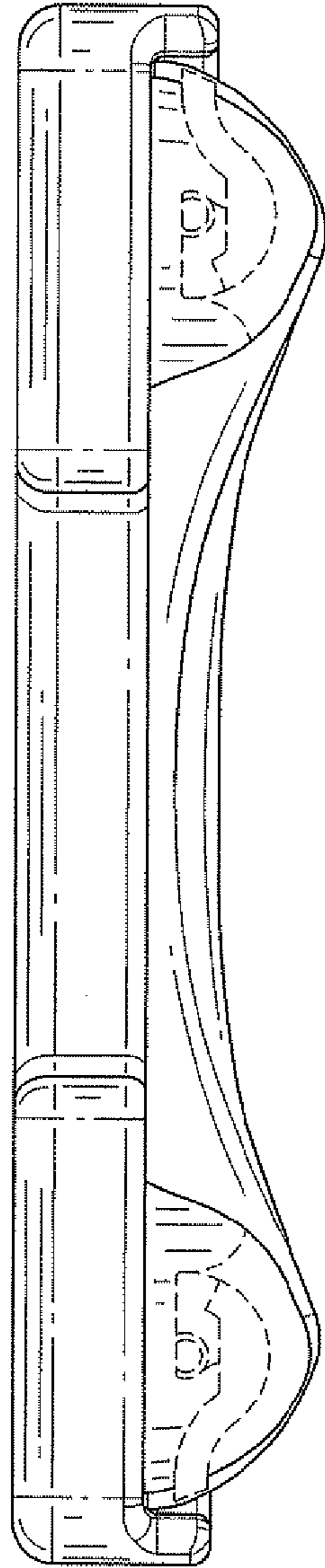


FIG. 7

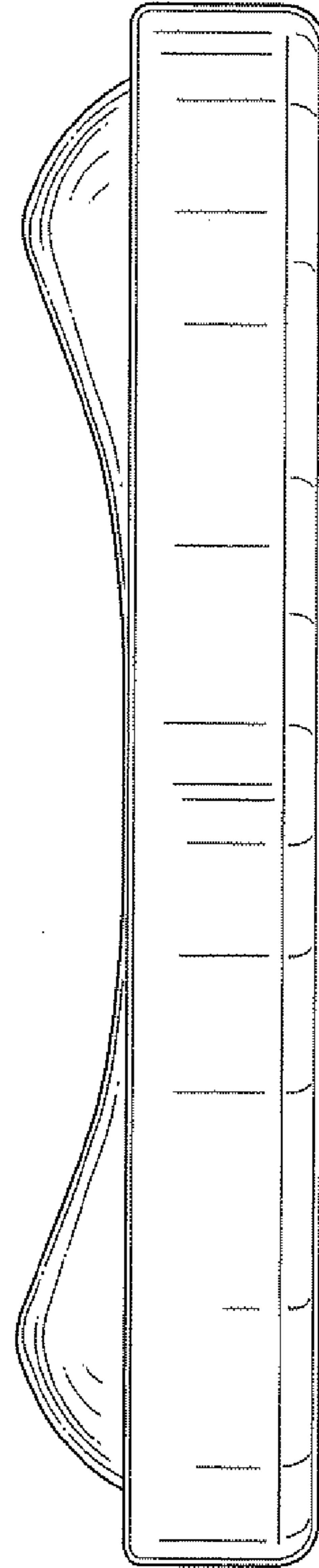


FIG. 8