



US00D616992S

(12) **United States Design Patent**  
**Kitayama**

(10) **Patent No.:** **US D616,992 S**  
(45) **Date of Patent:** **\*\* Jun. 1, 2010**

(54) **PROBE FOR AN ULTRASONIC DIAGNOSIS APPARATUS**

D418,226 S \* 12/1999 Cody et al. .... D24/187

**FOREIGN PATENT DOCUMENTS**

(75) Inventor: **Masahiko Kitayama**, Mitaka (JP)  
(73) Assignees: **Kabushiki Kaisha Toshiba** (JP);  
**Toshiba Medical Systems Corporation**  
(JP)

JP	857404	1/1993
JP	857866	1/1993
JP	905948	9/1994
JP	857404-1	2/1995

\* cited by examiner

*Primary Examiner*—T. Chase Nelson  
*Assistant Examiner*—Mark Cavanna  
(74) *Attorney, Agent, or Firm*—Banner & Witcoff, Ltd.

(\*\*) Term: **14 Years**  
(21) Appl. No.: **29/279,811**  
(22) Filed: **May 8, 2007**

(57) **CLAIM**

(30) **Foreign Application Priority Data**  
Mar. 7, 2007 (JP) ..... 2007-005930

The ornamental design for a probe for an ultrasonic diagnosis apparatus, as shown and described.

(51) **LOC (9) Cl.** ..... **24-01**  
(52) **U.S. Cl.** ..... **D24/186**  
(58) **Field of Classification Search** ..... D24/107,  
D24/138, 141, 142, 158, 164, 165, 167, 170,  
D24/186–187, 200, 231; D10/57, 60, 78,  
D10/80; 600/407, 461, 459, 447, 439, 446;  
378/98.7, 98.8, 189

**DESCRIPTION**

FIG. 1 is a front, top and left side perspective view of a probe for an ultrasonic diagnosis apparatus, showing my new design;

See application file for complete search history.

FIG. 2 is a front, bottom and right side perspective view thereof;

(56) **References Cited**

**U.S. PATENT DOCUMENTS**

D245,514 S *	8/1977	Pennebaker	.....	D24/142
D262,360 S *	12/1981	Aslan et al.	.....	D24/200
D300,175 S *	3/1989	Bar-Yam	.....	D24/138
4,841,979 A *	6/1989	Dow et al.	.....	600/446
D304,760 S	11/1989	Curtis et al.		
D320,078 S *	9/1991	Terwilliger et al.	.....	D24/158
D387,867 S *	12/1997	Henderson et al.	.....	D24/187
D403,421 S *	12/1998	Cody et al.	.....	D24/186
5,897,503 A *	4/1999	Lyon et al.	.....	600/459

FIG. 3 is a front elevational view thereof;

FIG. 4 is a rear elevational thereof;

FIG. 5 is a top plan view thereof;

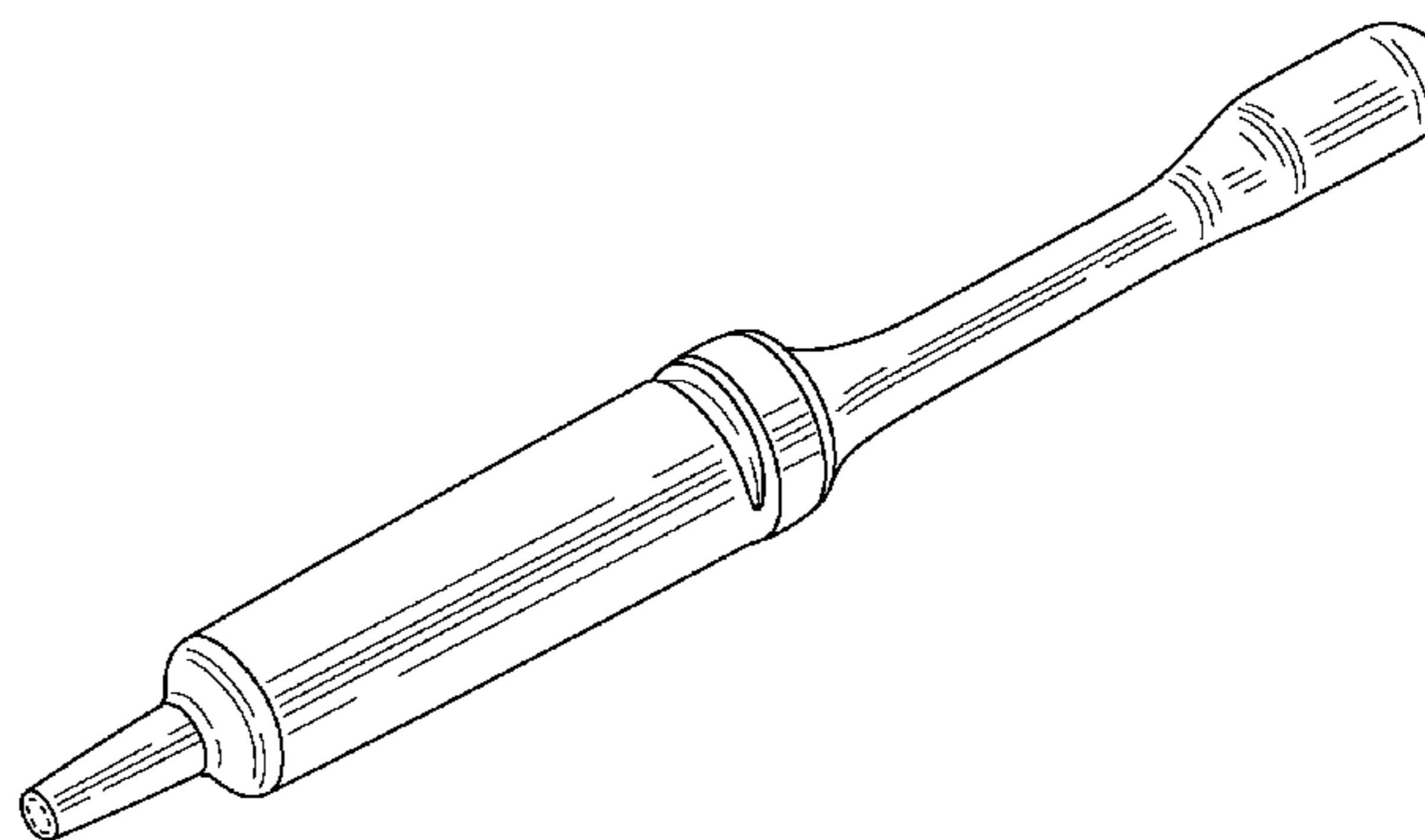
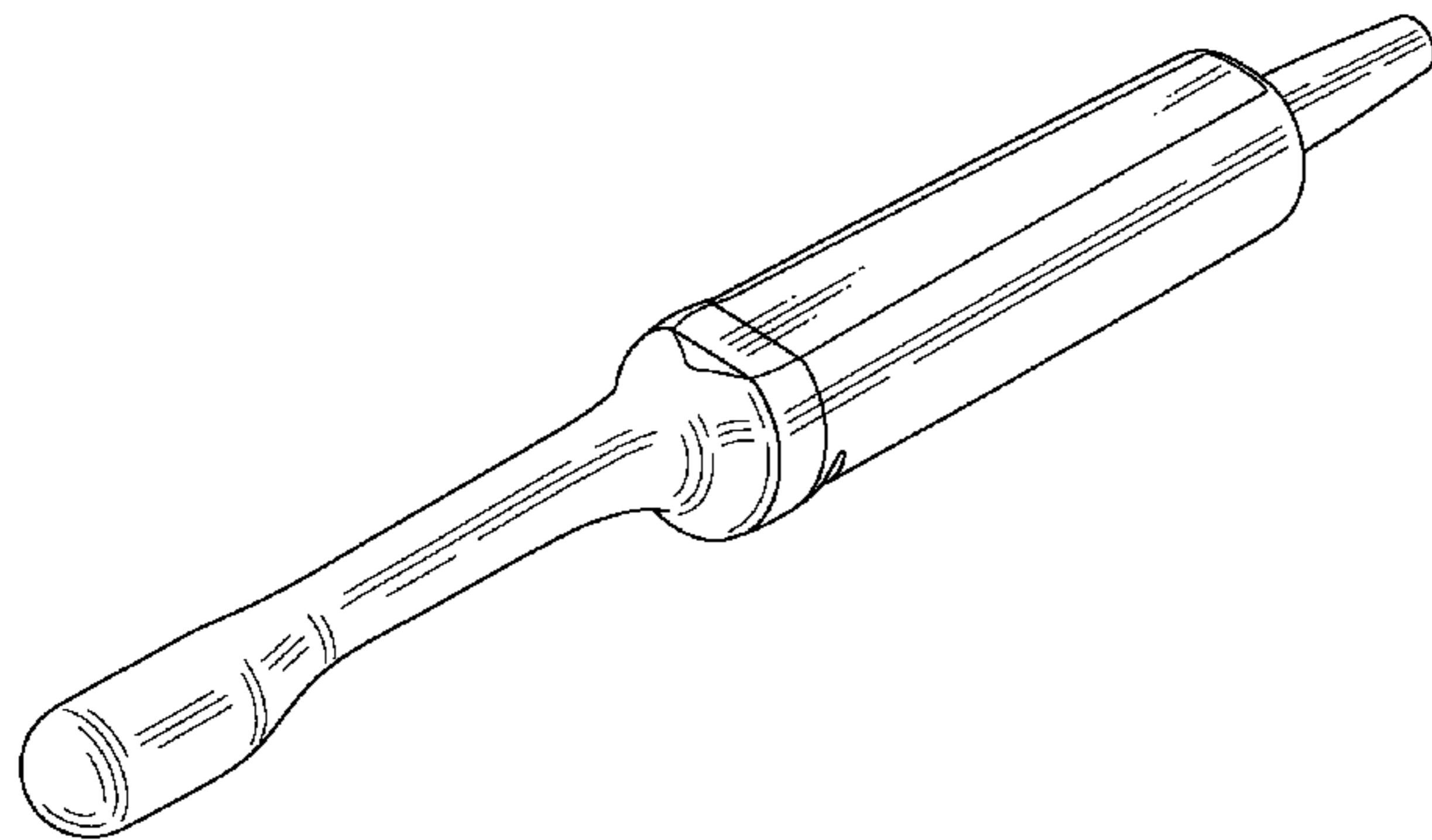
FIG. 6 is a bottom plan view thereof;

FIG. 7 is a left side elevational view thereof; and,

FIG. 8 is a right side elevational view thereof.

The broken line showing of the remainder of the probe for an ultrasonic diagnosis apparatus is for illustrative purposes only and forms no part of the claimed design.

**1 Claim, 2 Drawing Sheets**



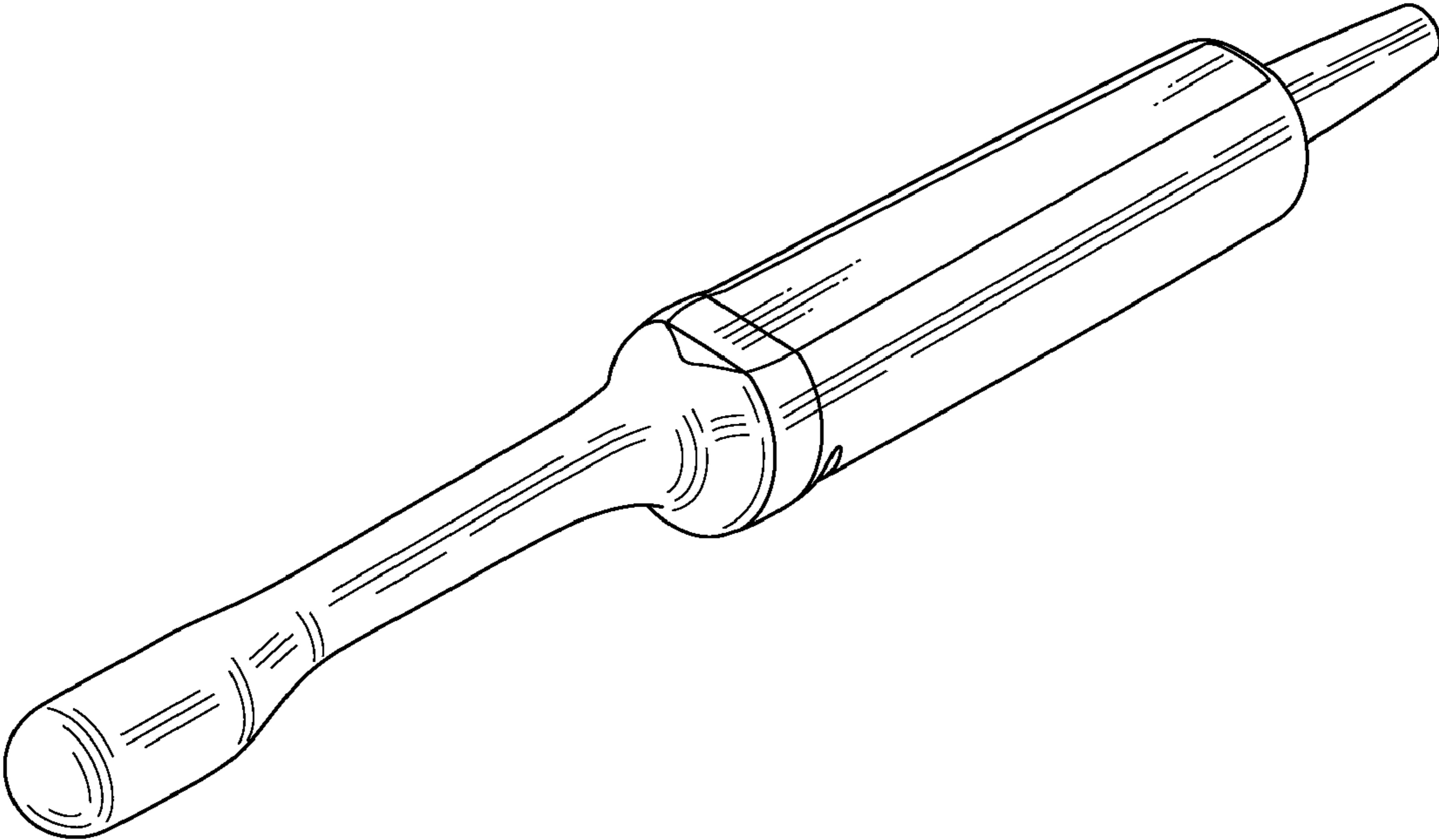


FIG. 1

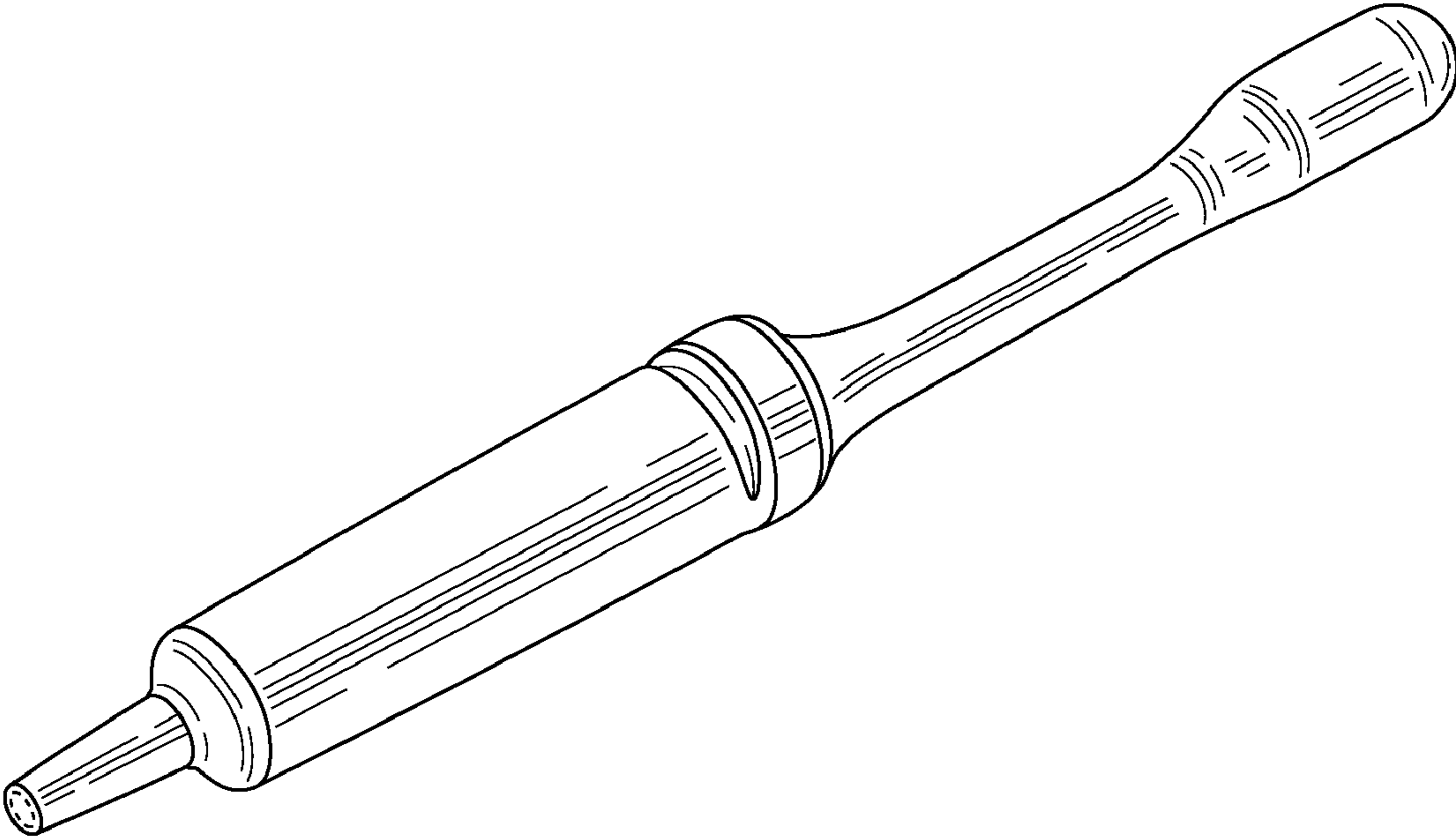


FIG. 2

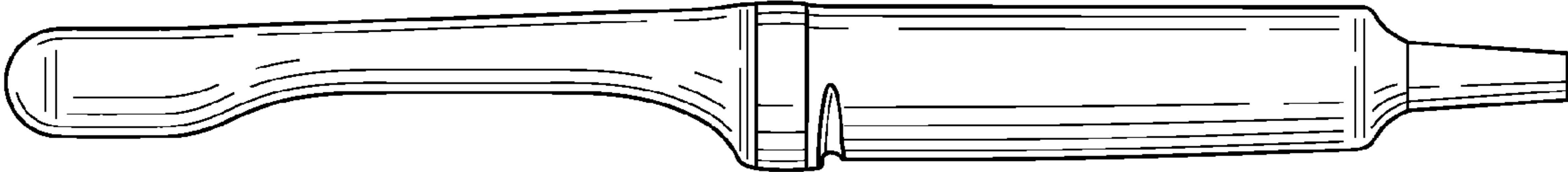


FIG.3

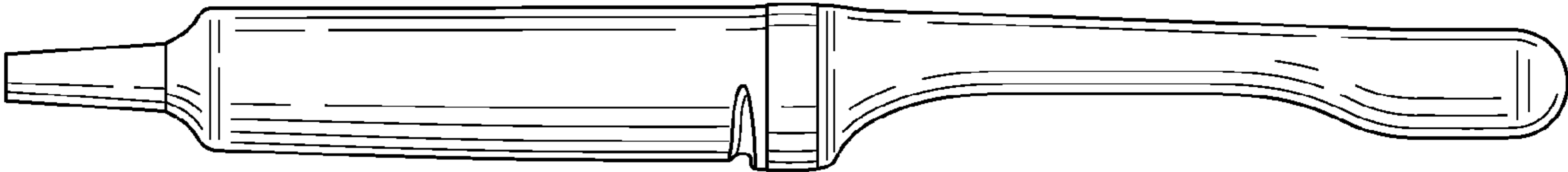


FIG.4

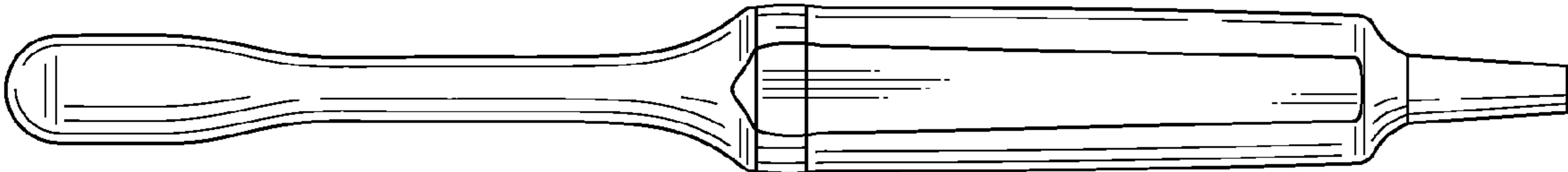


FIG.5

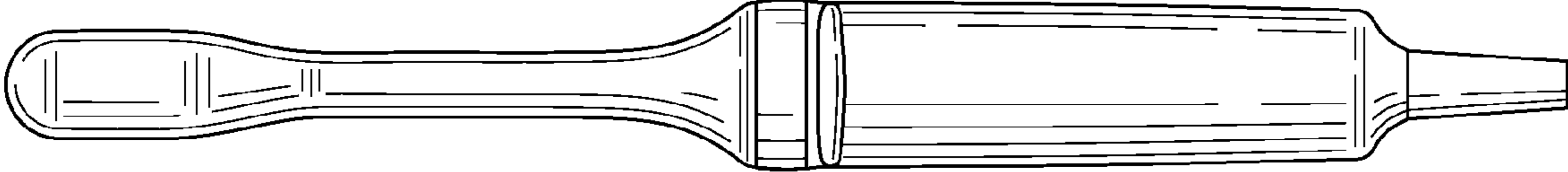


FIG.6

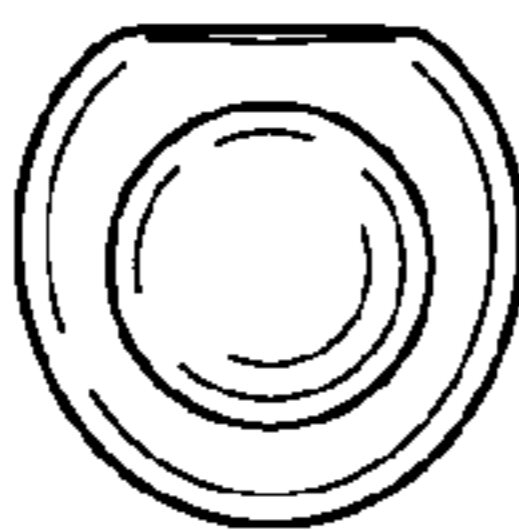


FIG.7

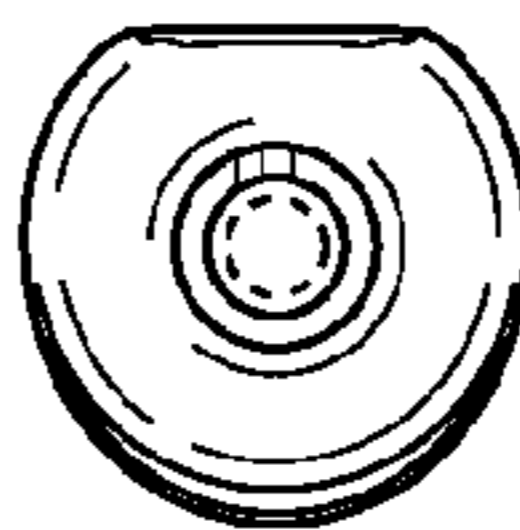


FIG.8