



US00D616991S

(12) **United States Design Patent**  
**Kitayama**

(10) **Patent No.:** **US D616,991 S**  
(45) **Date of Patent:** **\*\* Jun. 1, 2010**

(54) **PROBE FOR AN ULTRASONIC DIAGNOSIS APPARATUS**

(75) Inventor: **Masahiko Kitayama**, Mitaka (JP)

(73) Assignees: **Kabushiki Kaisha Toshiba** (JP);  
**Toshiba Medical Systems Corporation**  
(JP)

(\*\*) Term: **14 Years**

(21) Appl. No.: **29/279,808**

(22) Filed: **May 8, 2007**

(30) **Foreign Application Priority Data**

Mar. 7, 2007 (JP) ..... 2007-005929

(51) **LOC (9) Cl.** ..... **24-01**

(52) **U.S. Cl.** ..... **D24/186**

(58) **Field of Classification Search** ..... D24/107,  
D24/138, 141, 158, 164, 165, 167, 170, 186-187,  
D24/231; D10/57, 60, 78, 80; 600/407,  
600/461, 459, 447, 439; 378/98.7, 98.8,  
378/189; D14/412

See application file for complete search history.

(56) **References Cited**

**U.S. PATENT DOCUMENTS**

4,796,632 A \* 1/1989 Boyd et al. .... 600/459  
D316,376 S 4/1991 Dubut  
D387,867 S \* 12/1997 Henderson et al. .... D24/187  
D389,918 S 1/1998 Ninomiya et al.  
6,436,050 B2 \* 8/2002 Garrison et al. .... 600/459  
6,709,392 B1 \* 3/2004 Salgo et al. .... 600/439  
D544,606 S \* 6/2007 Hasegawa et al. .... D24/186

D545,433 S \* 6/2007 Messerly et al. .... D24/158  
D546,460 S \* 7/2007 Hasegawa ..... D24/186  
D550,365 S \* 9/2007 Kitayama ..... D24/186  
D596,299 S \* 7/2009 Han et al. .... D24/186  
D598,108 S \* 8/2009 Hasegawa ..... D24/186

**FOREIGN PATENT DOCUMENTS**

JP 1042212 6/1999  
JP 1194104 1/2004

\* cited by examiner

*Primary Examiner*—T. Chase Nelson

*Assistant Examiner*—Mark Cavanna

(74) *Attorney, Agent, or Firm*—Banner & Witcoff, Ltd.

(57) **CLAIM**

The ornamental design for a probe for an ultrasonic diagnosis apparatus, as shown and described.

**DESCRIPTION**

FIG. 1 is a front, bottom and right side perspective view of a probe for an ultrasonic diagnosis apparatus, showing my new design;

FIG. 2 is a front elevational view thereof;

FIG. 3 is a rear elevational view thereof;

FIG. 4 is a top plan view thereof;

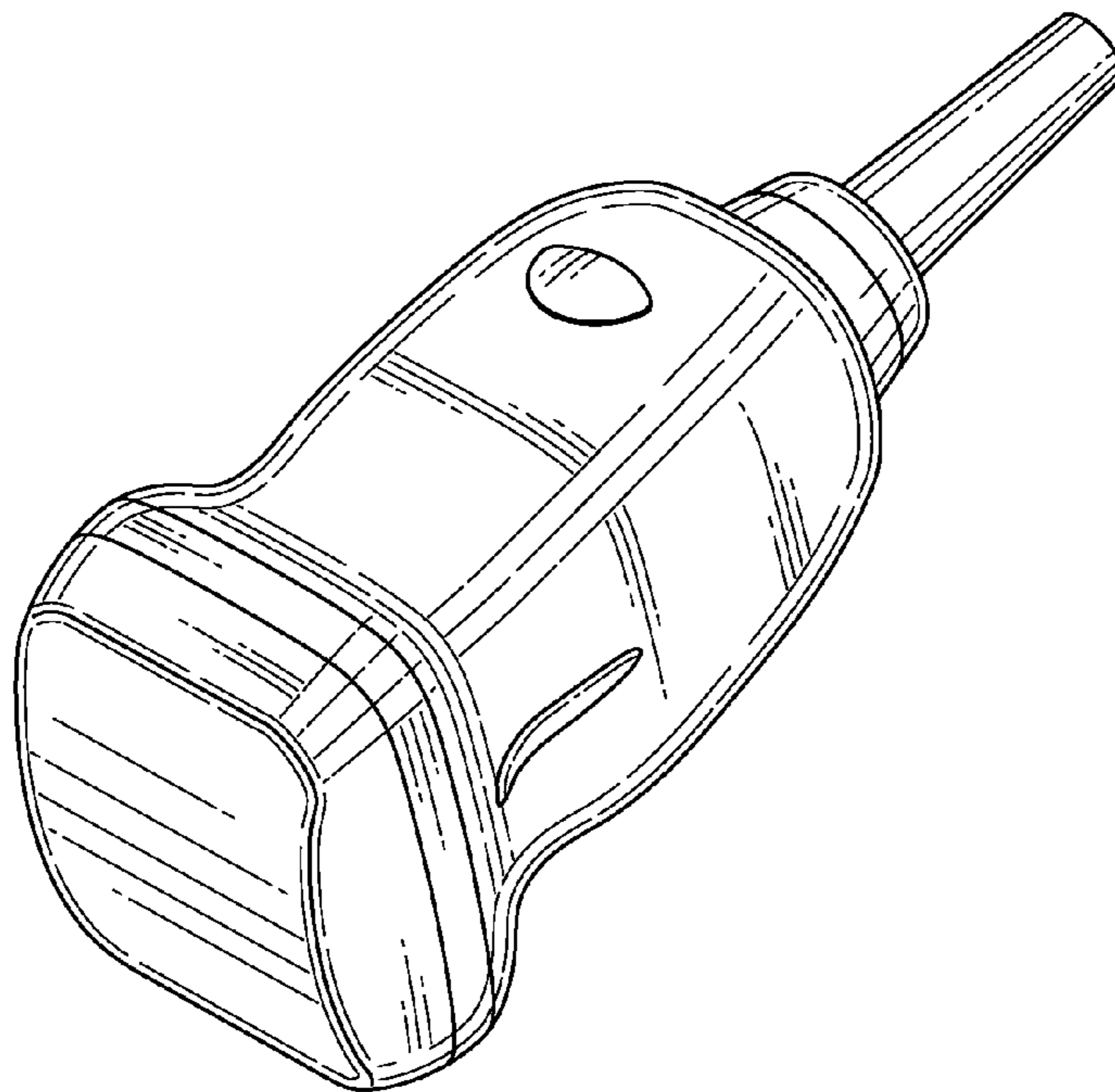
FIG. 5 is a bottom plan view thereof;

FIG. 6 is a left side elevational view thereof; and,

FIG. 7 is a right side elevational view thereof.

The broken line showing of the remainder of the probe for an ultrasonic diagnosis apparatus is for illustrative purposes only and forms no part of the claimed design.

**1 Claim, 2 Drawing Sheets**



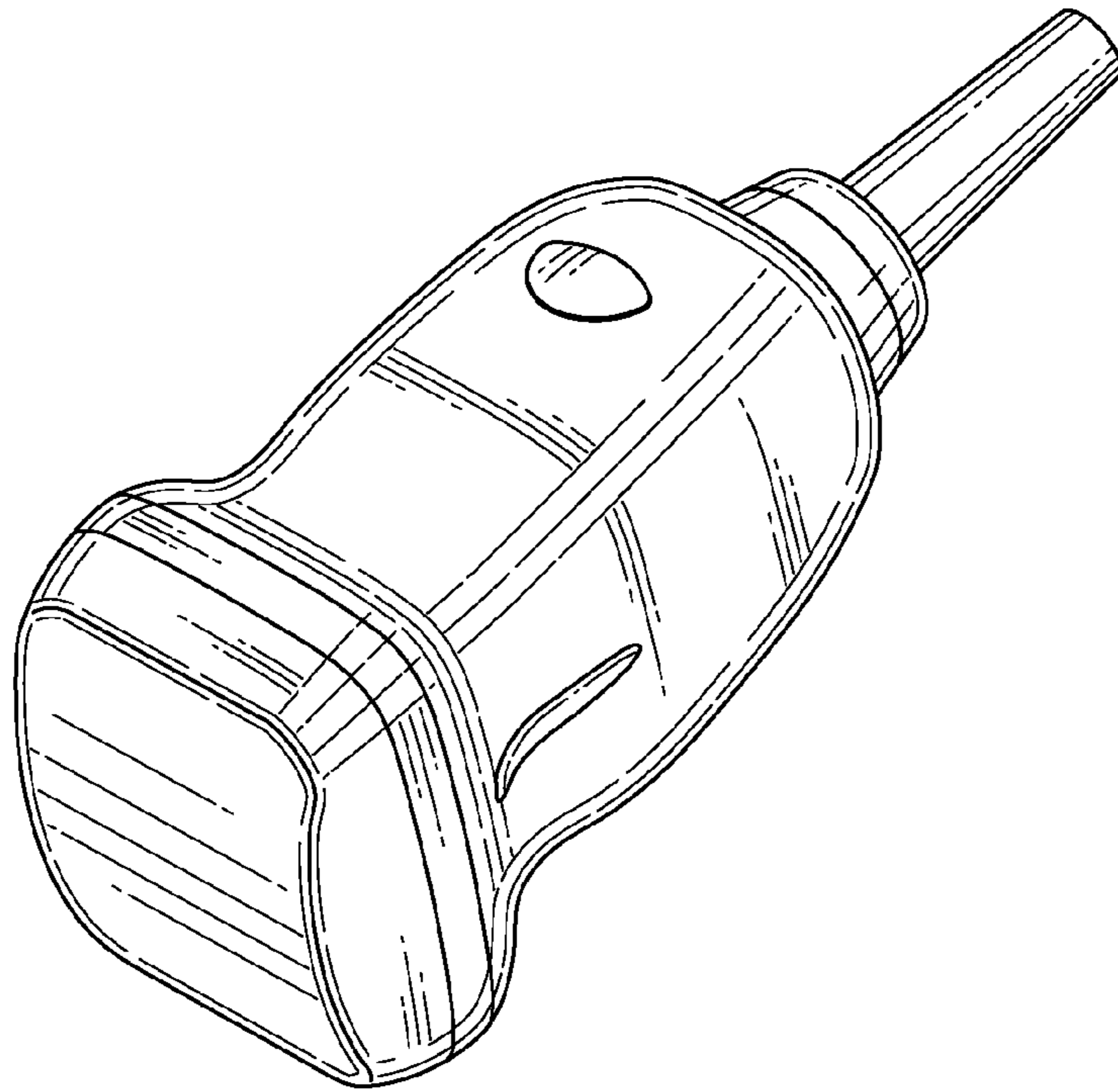


FIG. 1

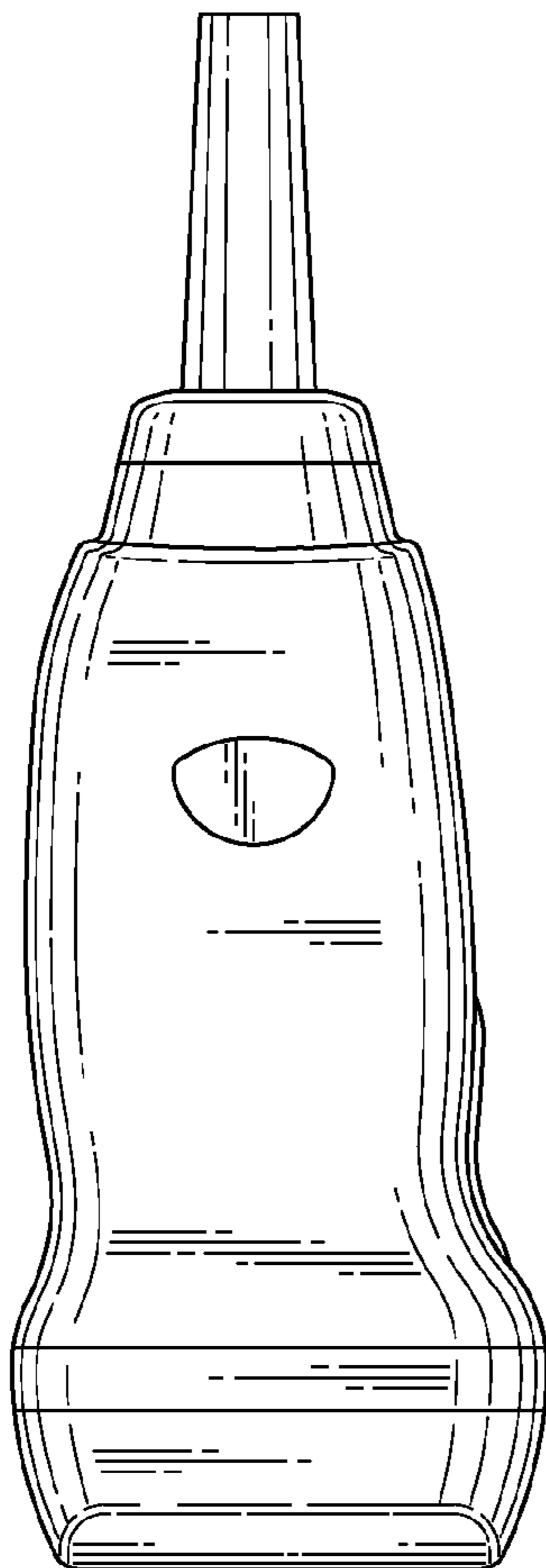


FIG. 2

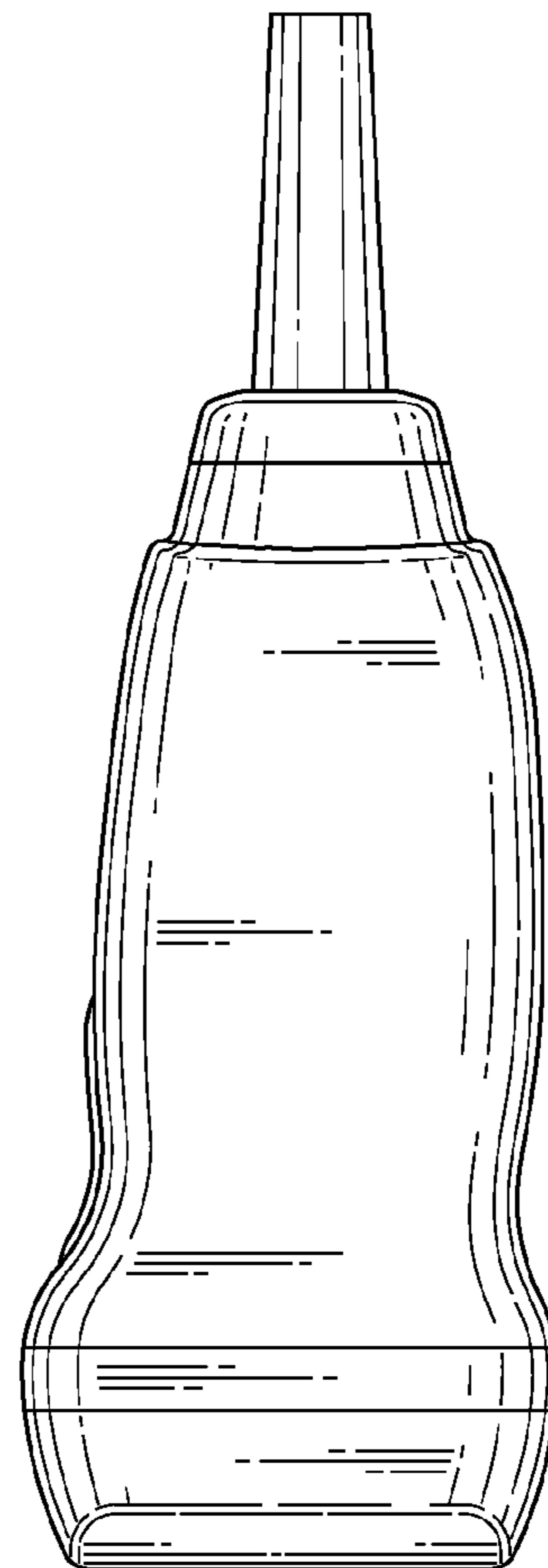


FIG. 3

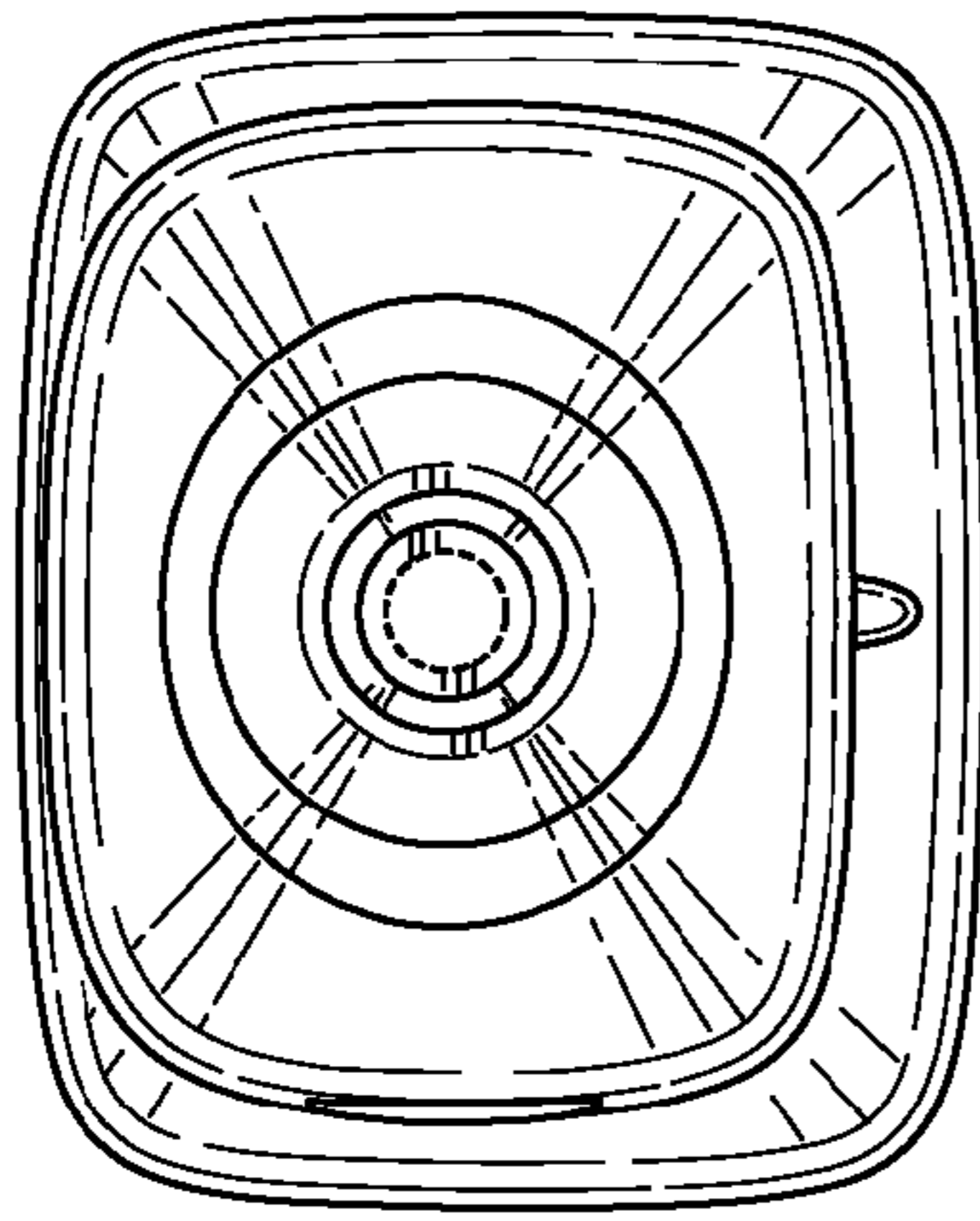


FIG. 4

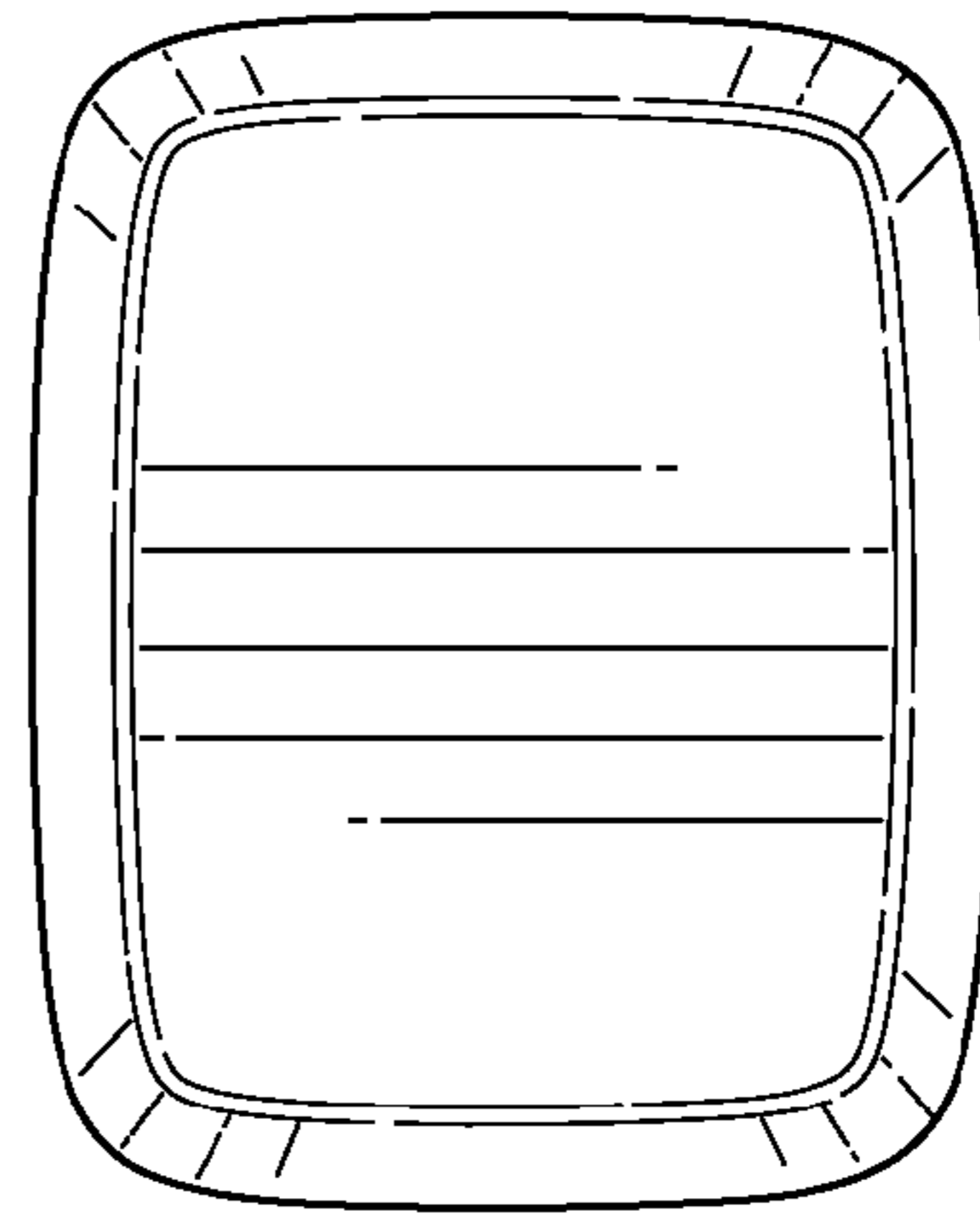


FIG. 5

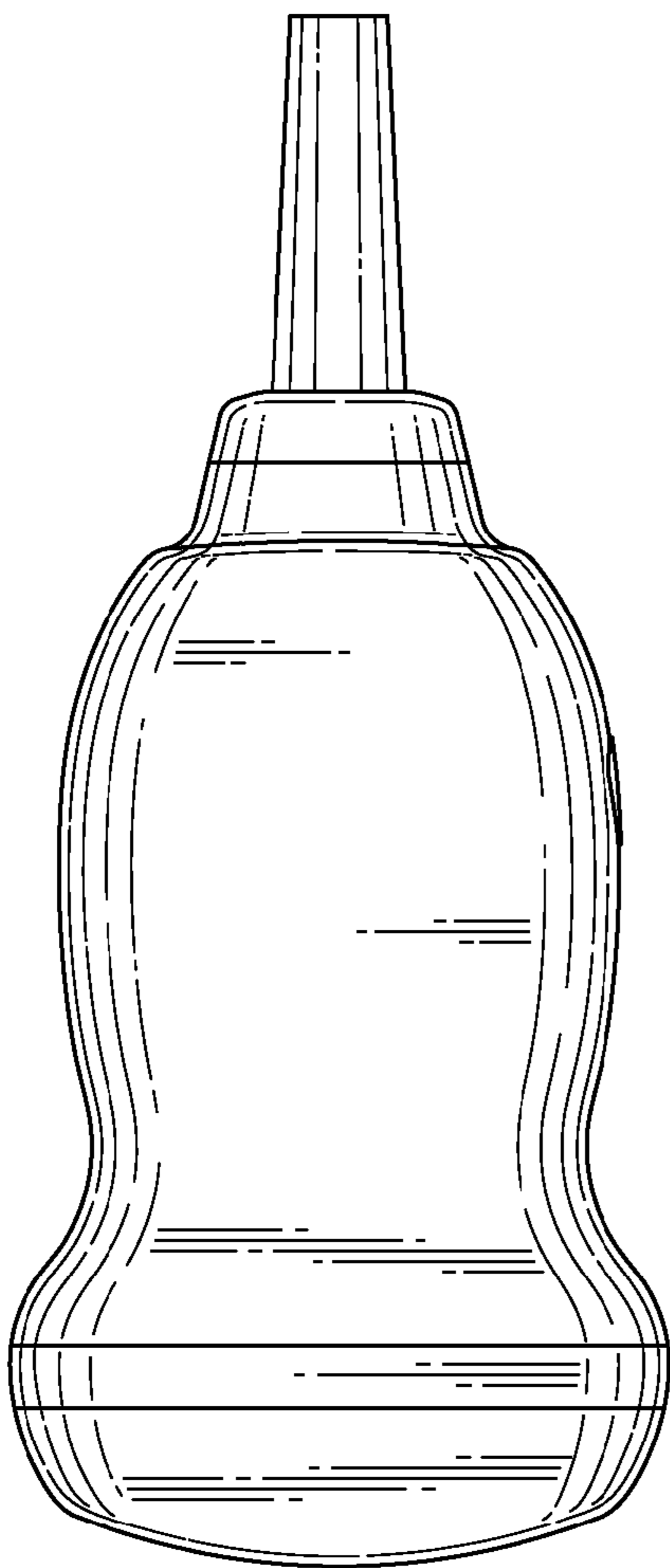


FIG. 6

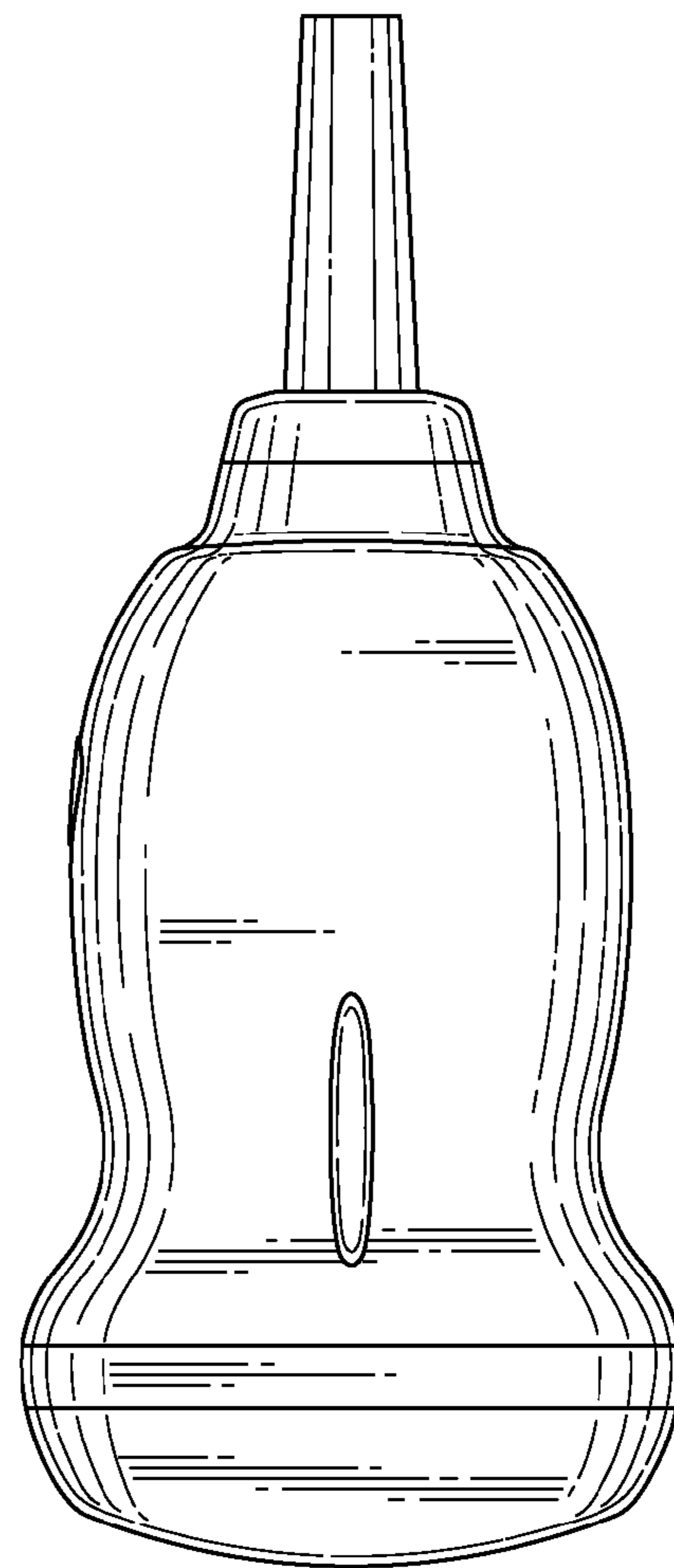


FIG. 7