



US00D616985S

(12) **United States Design Patent**
Ade et al.

(10) **Patent No.:** **US D616,985 S**
(45) **Date of Patent:** **** Jun. 1, 2010**

(54) **DISPENSING TIP**

2009/0171297 A1* 7/2009 Smith et al. 604/198

(75) Inventors: **Rhonda Ade**, Ottawa (CA); **Bruce Hendry**, Ottawa (CA); **John Campbell**, Ottawa (CA)

* cited by examiner

Primary Examiner—T. Chase Nelson
Assistant Examiner—Eric L Goodman

(73) Assignee: **Abbott Point of Care Inc.**, Princeton, NJ (US)

(74) *Attorney, Agent, or Firm*—Katten Muchin Rosenman LLP

(**) Term: **14 Years**

(57) **CLAIM**

(21) Appl. No.: **29/339,232**

The ornamental design for dispensing tip, as shown and described.

(22) Filed: **Jun. 26, 2009**

DESCRIPTION

(51) **LOC (9) Cl.** **24-02**

FIG. 1 is a side perspective view of the dispensing tip showing our new design;

(52) **U.S. Cl.** **D24/130**

FIG. 2 is another side perspective view of the dispensing tip showing our new design;

(58) **Field of Classification Search** D24/127–130;
604/110, 192, 195–196, 198, 410, 576–578,
604/583; 263/363–365

FIG. 3 is a side view of the dispensing tip showing our new design;

See application file for complete search history.

FIG. 4 is another side view of the dispensing tip showing our new design;

(56) **References Cited**

U.S. PATENT DOCUMENTS

5,135,489	A *	8/1992	Jepson et al.	604/48
D506,549	S *	6/2005	Woods	D24/130
7,118,559	B2 *	10/2006	Toomey	604/403
7,588,562	B2 *	9/2009	Toomey et al.	604/403
D604,839	S *	11/2009	Crawford et al.	D24/130
2004/0124389	A1 *	7/2004	Phillips	251/149.4
2005/0033229	A1 *	2/2005	Scott	604/110
2006/0178639	A1 *	8/2006	Eric et al.	604/192
2007/0123822	A1 *	5/2007	Wang et al.	604/110
2009/0131869	A1 *	5/2009	Caizza et al.	604/110
2009/0149817	A1 *	6/2009	Frezza	604/198

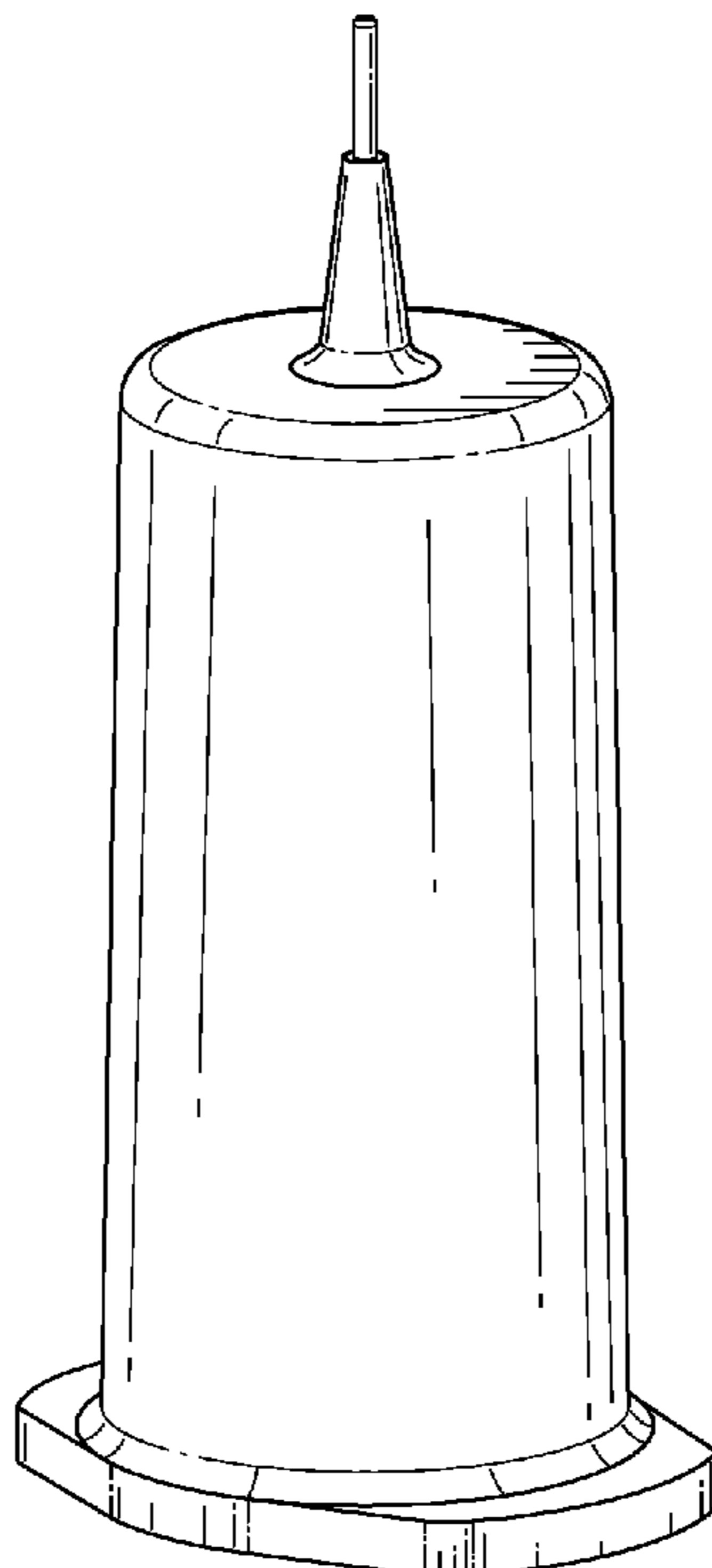
FIG. 5 is a top view of the dispensing tip showing our new design;

FIG. 6 is a bottom view of the dispensing tip showing our new design;

FIG. 7 is a bottom perspective view of the dispensing tip showing our new design; and,

FIG. 8 is an exploded side perspective view of the dispensing tip showing our new design.

1 Claim, 4 Drawing Sheets



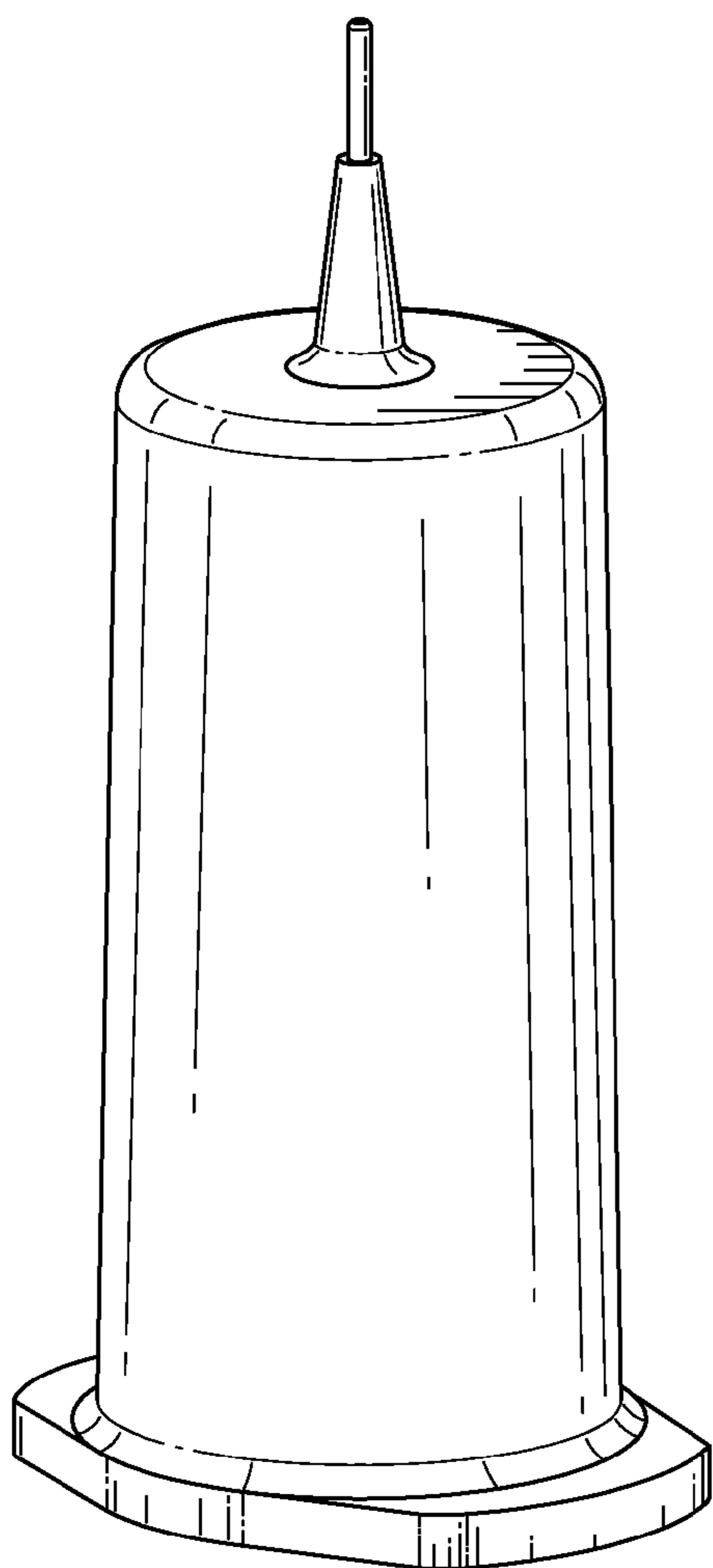


FIG. 1

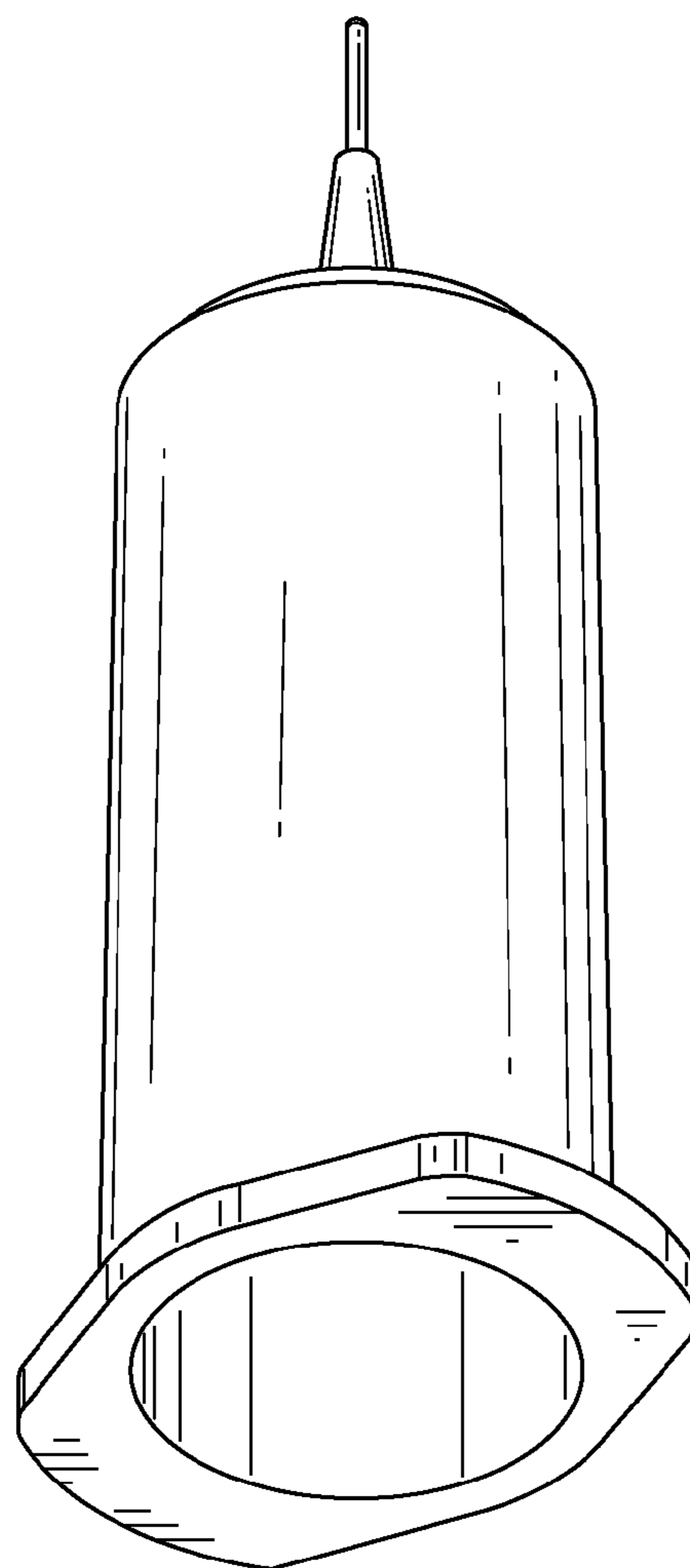


FIG. 2

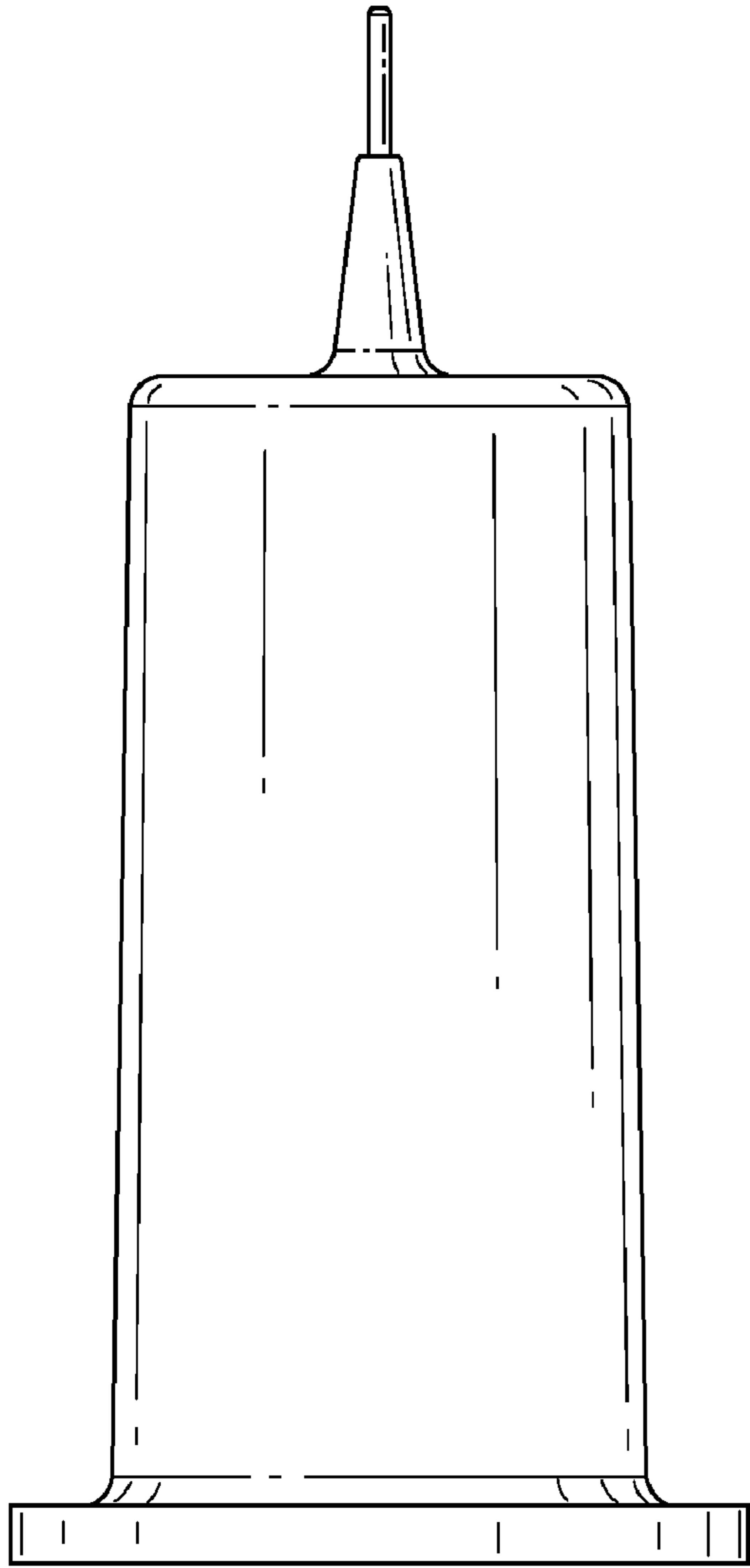


FIG. 3

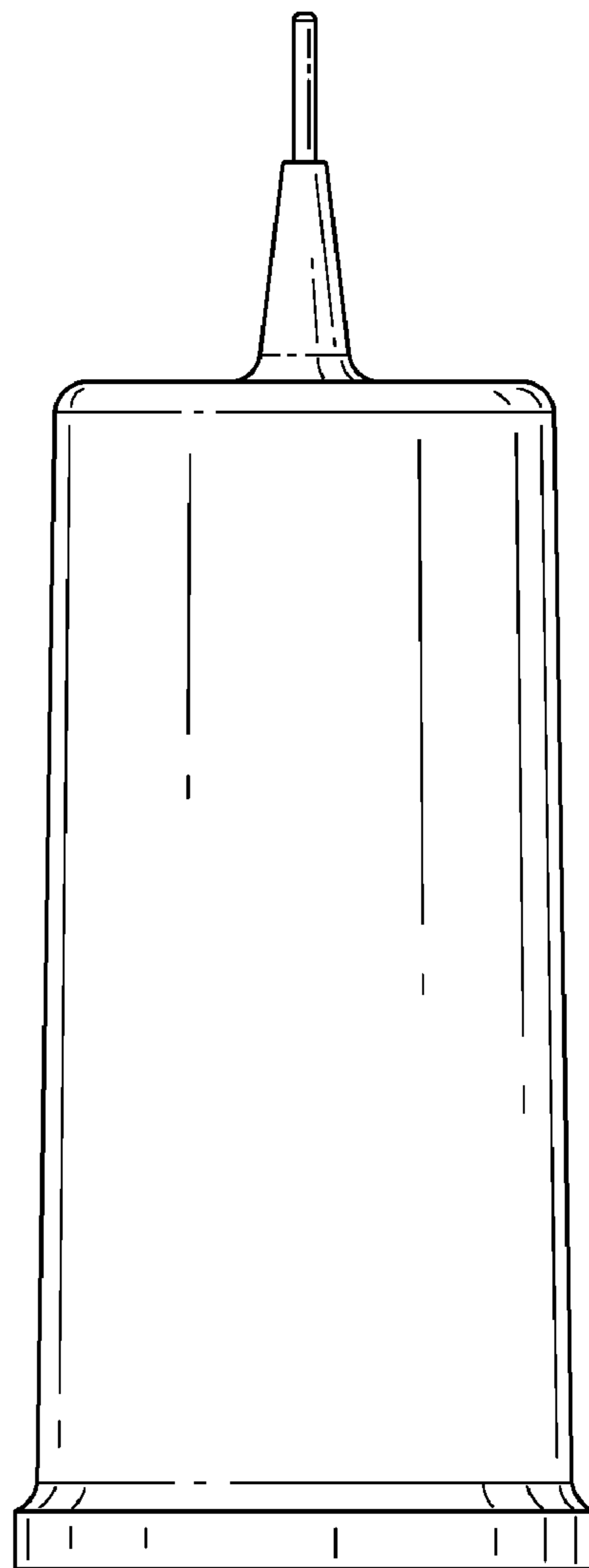


FIG. 4

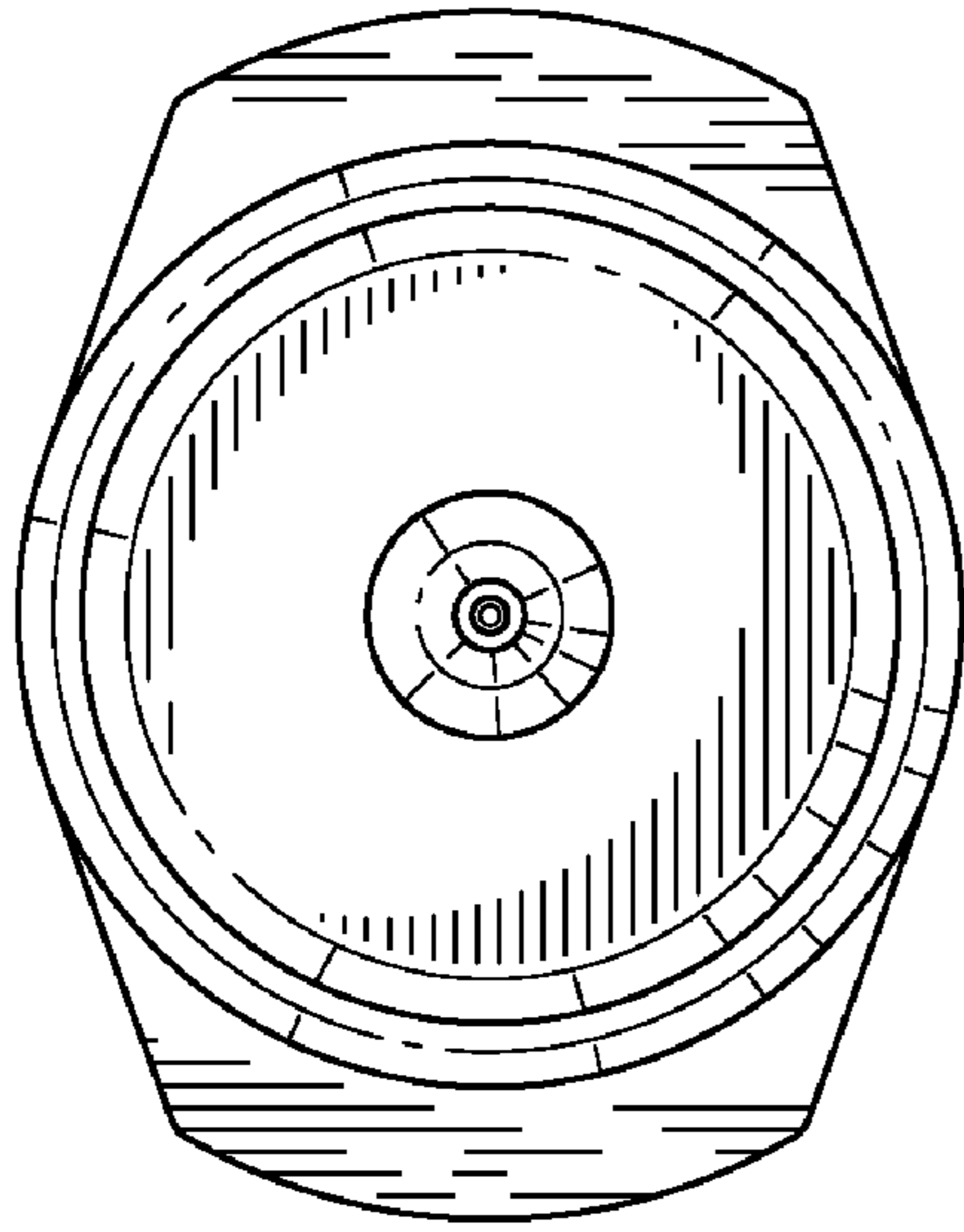


FIG. 5

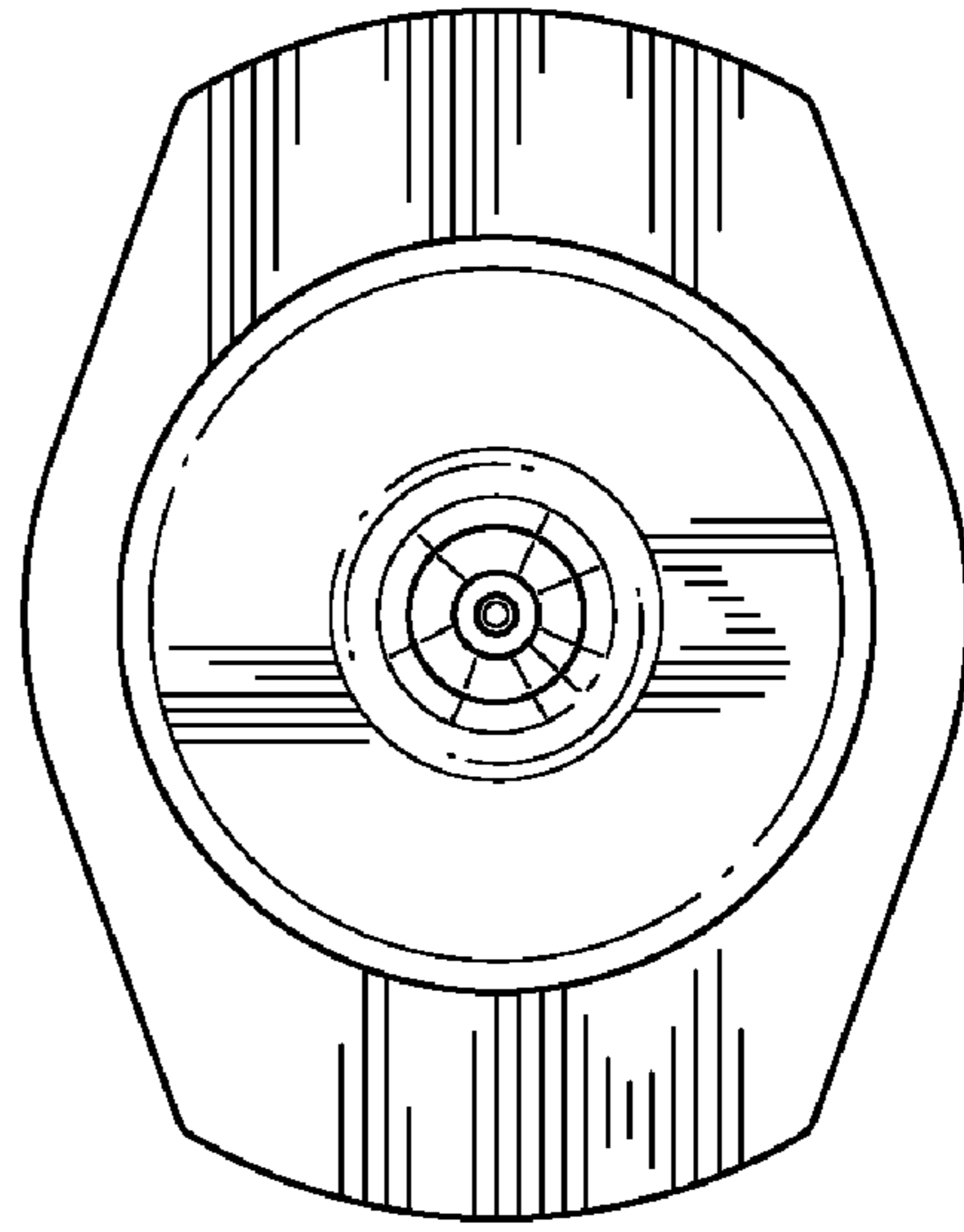


FIG. 6

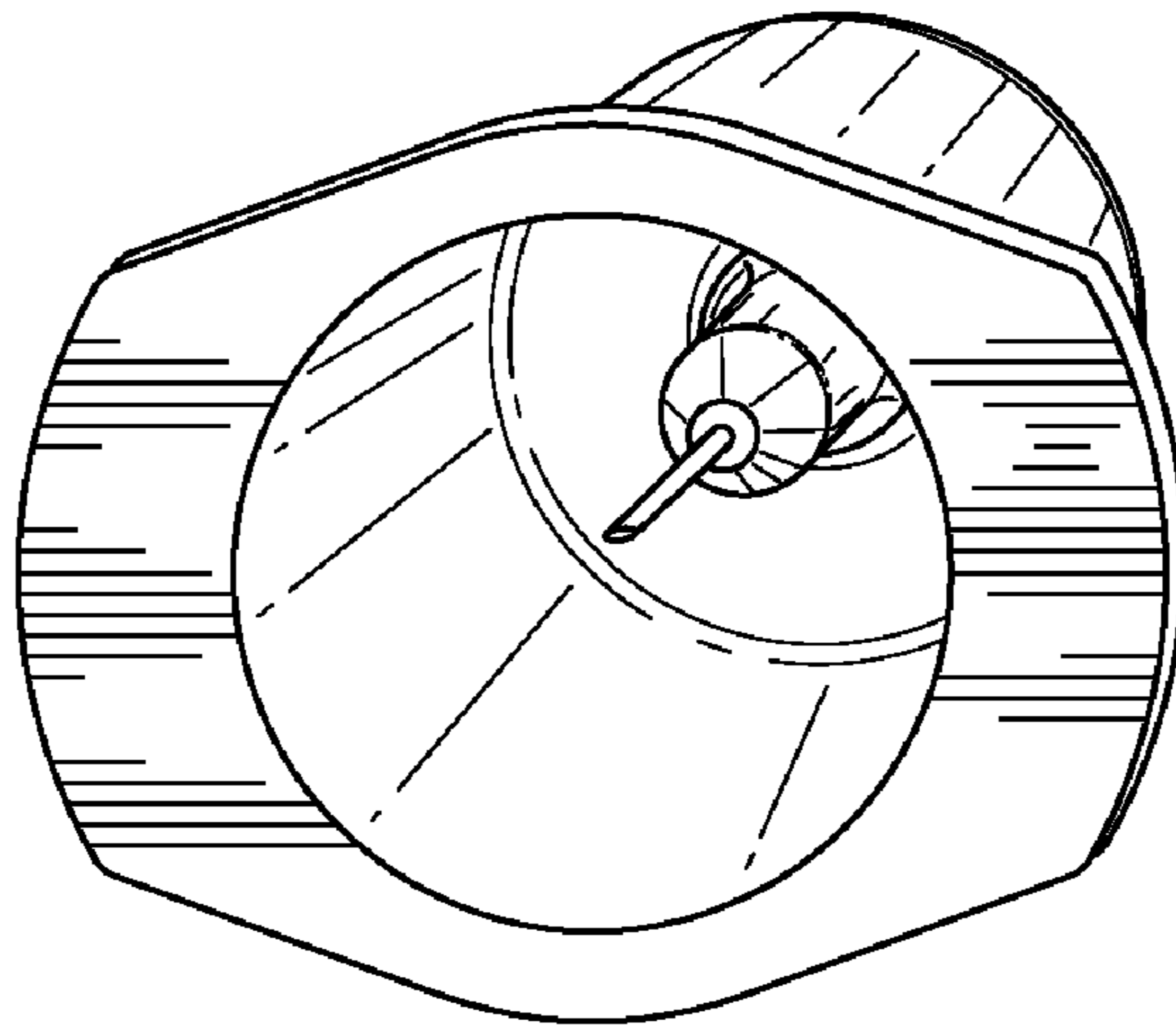


FIG. 7

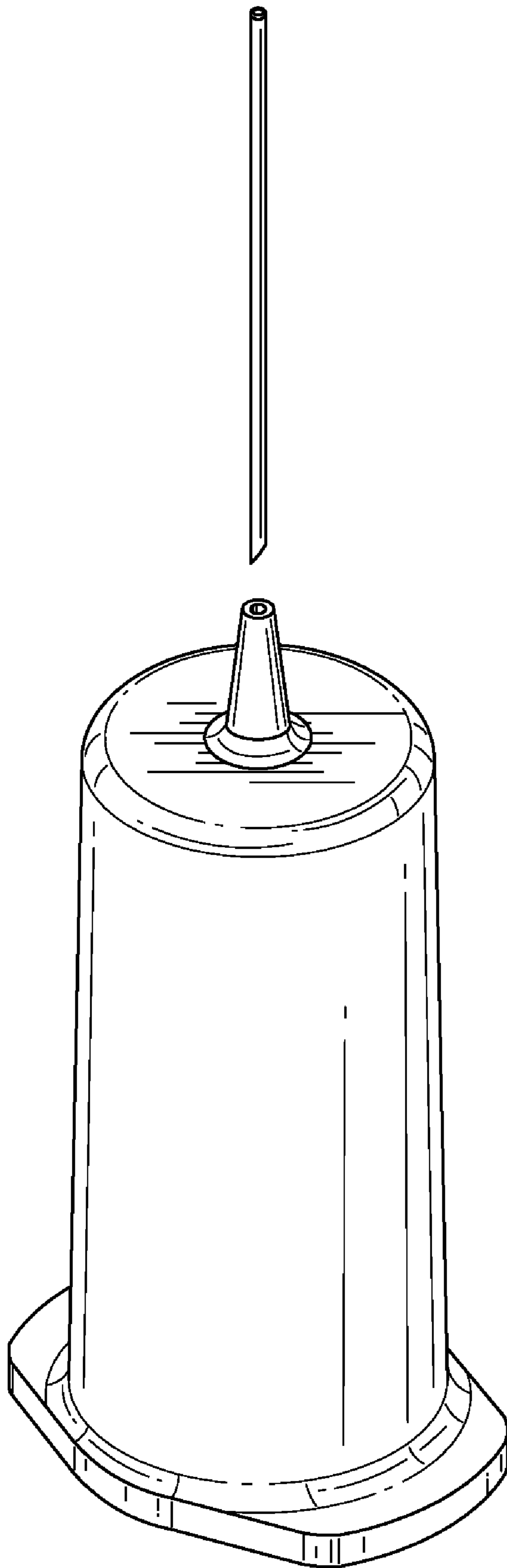


FIG. 8