



US00D616980S

(12) **United States Design Patent**
MacDonald et al.

(10) **Patent No.:** **US D616,980 S**
(45) **Date of Patent:** **** Jun. 1, 2010**

(54) **THERAPY APPARATUS**

(75) Inventors: **John MacDonald**, Bristol (GB);
Christopher Althorpe, Cardiff (GB);
Michael Unwin, Bristol (GB)

(73) Assignee: **Smith & Nephew PLC**, London (GB)

(**) Term: **14 Years**

(21) Appl. No.: **29/321,332**

(22) Filed: **Jul. 15, 2008**

(30) **Foreign Application Priority Data**

Jan. 16, 2008 (EM) 000859913-0001

(51) **LOC (9) Cl.** **24-01**

(52) **U.S. Cl.** **D24/108; D24/111**

(58) **Field of Classification Search** D24/111,
D24/121, 169, 186, 108, 107; 601/6-7, 11;
602/43, 47, 53-54; 604/259, 289, 304-305,
604/308, 313, 317, 327, 540, 543, 318-320,
604/322

See application file for complete search history.

(56) **References Cited**

U.S. PATENT DOCUMENTS

D475,454 S * 6/2003 Gillespie et al. D24/111
D551,769 S * 9/2007 Skwarek et al. D24/186
D601,692 S * 10/2009 Tout et al. D24/111

OTHER PUBLICATIONS

U.S. Appl. No. 29/294,217, filed Dec. 28, 2007, Pidgeon et al.

U.S. Appl. No. 29/294,224, filed Dec. 28, 2007, Pidgeon et al.

U.S. Appl. No. 29/294,240, filed Dec. 28, 2007, Pidgeon et al.

* cited by examiner

Primary Examiner—Lisa P Lichtenstein

(74) *Attorney, Agent, or Firm*—Knobbe Martens Olson & Bear LLP

(57) **CLAIM**

We claim the ornamental design for a therapy apparatus, as shown and described.

DESCRIPTION

FIG. 1 is a perspective view of a therapy apparatus, as viewed from the front and one side thereof.

FIG. 2 is a perspective view of the therapy apparatus of FIG. 1, as viewed from the rear and the opposite side thereof.

FIG. 3 is a top plan view of the therapy apparatus of FIG. 1.

FIG. 4 is a front elevation view of the therapy apparatus of FIG. 1.

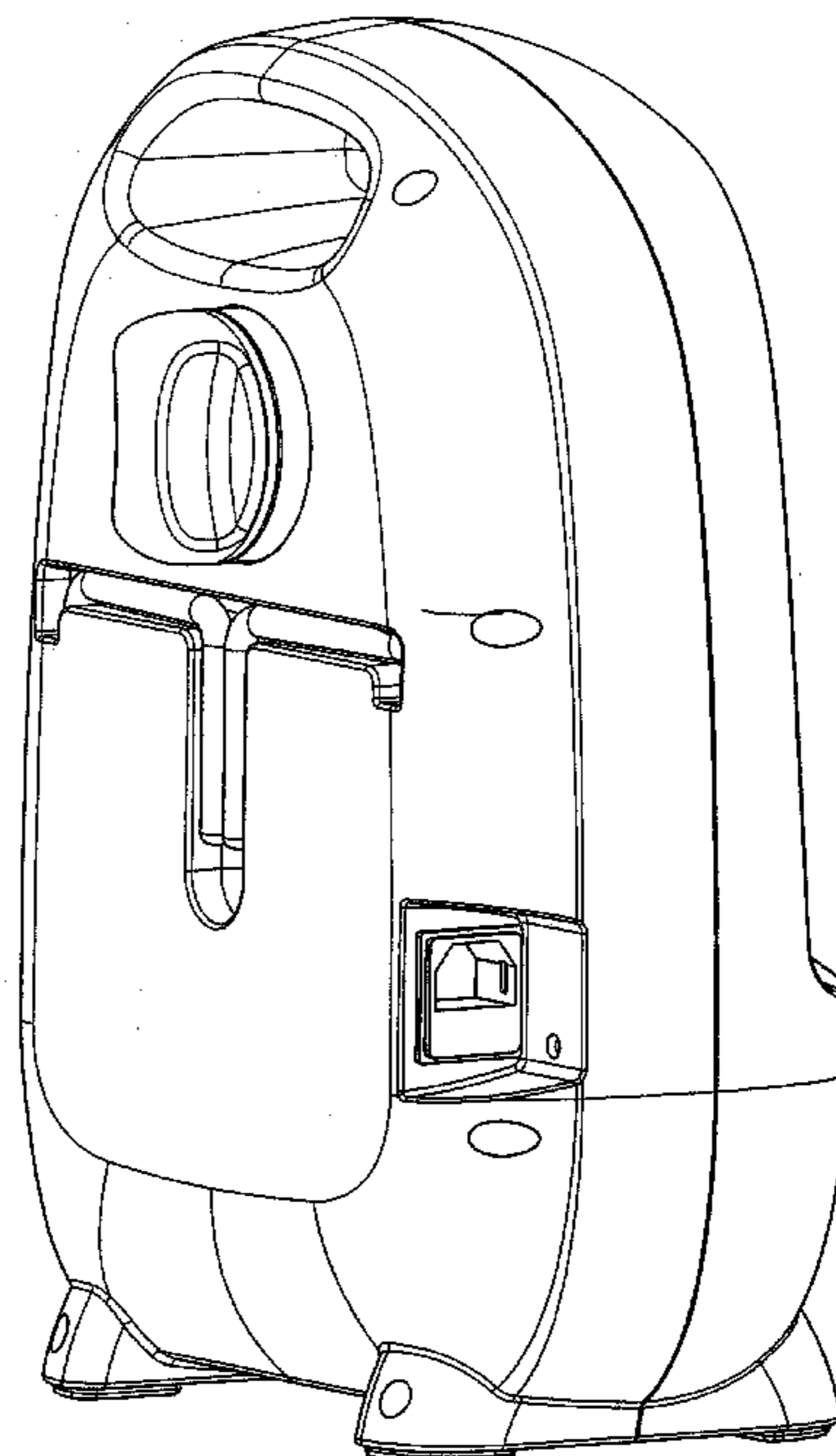
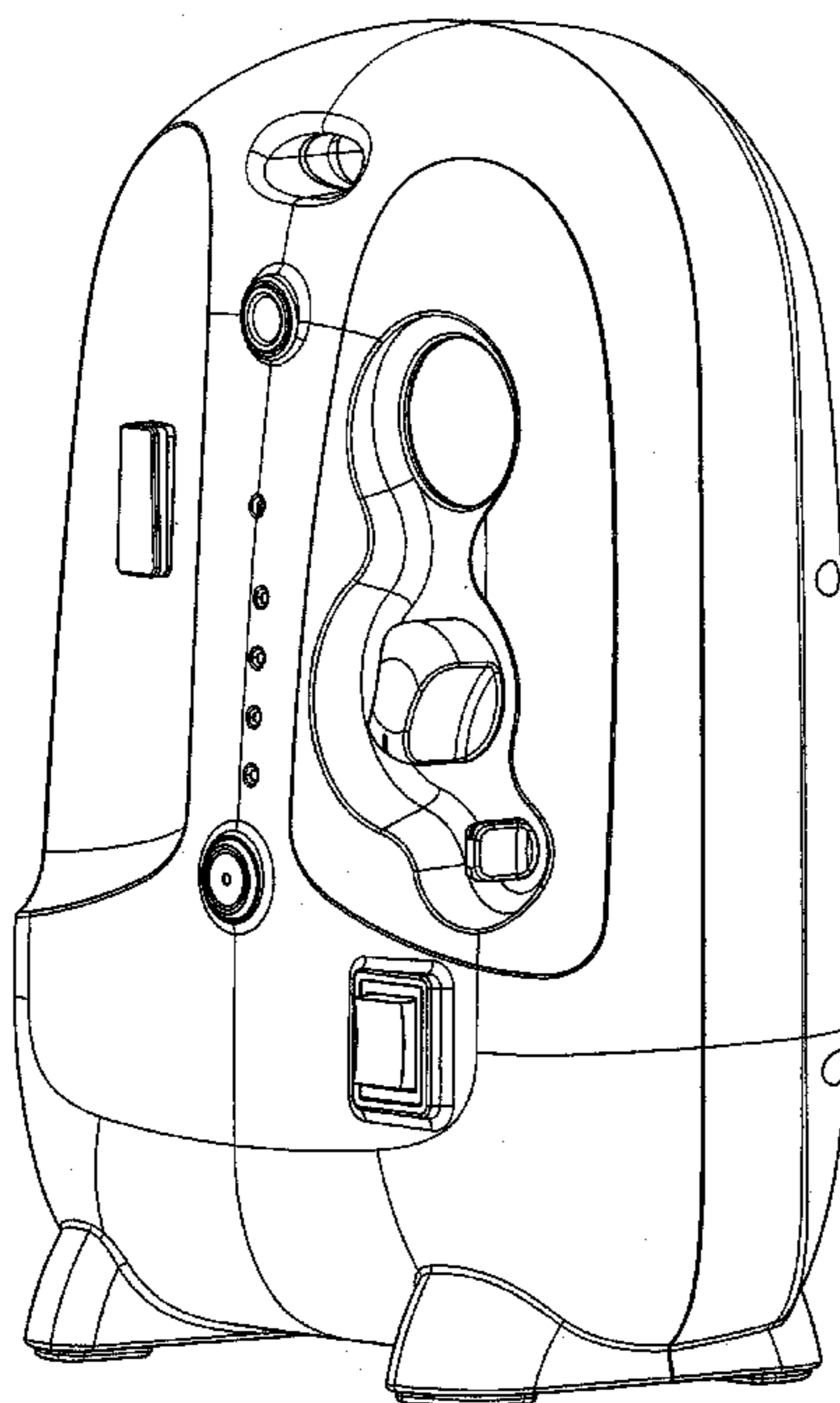
FIG. 5 is a rear elevation view of the therapy apparatus of FIG. 1.

FIG. 6 is a right side view of the therapy apparatus of FIG. 1.

FIG. 7 is a left side view of the therapy apparatus of FIG. 1; and,

FIG. 8 is a bottom view of the therapy apparatus of FIG. 1.

1 Claim, 8 Drawing Sheets



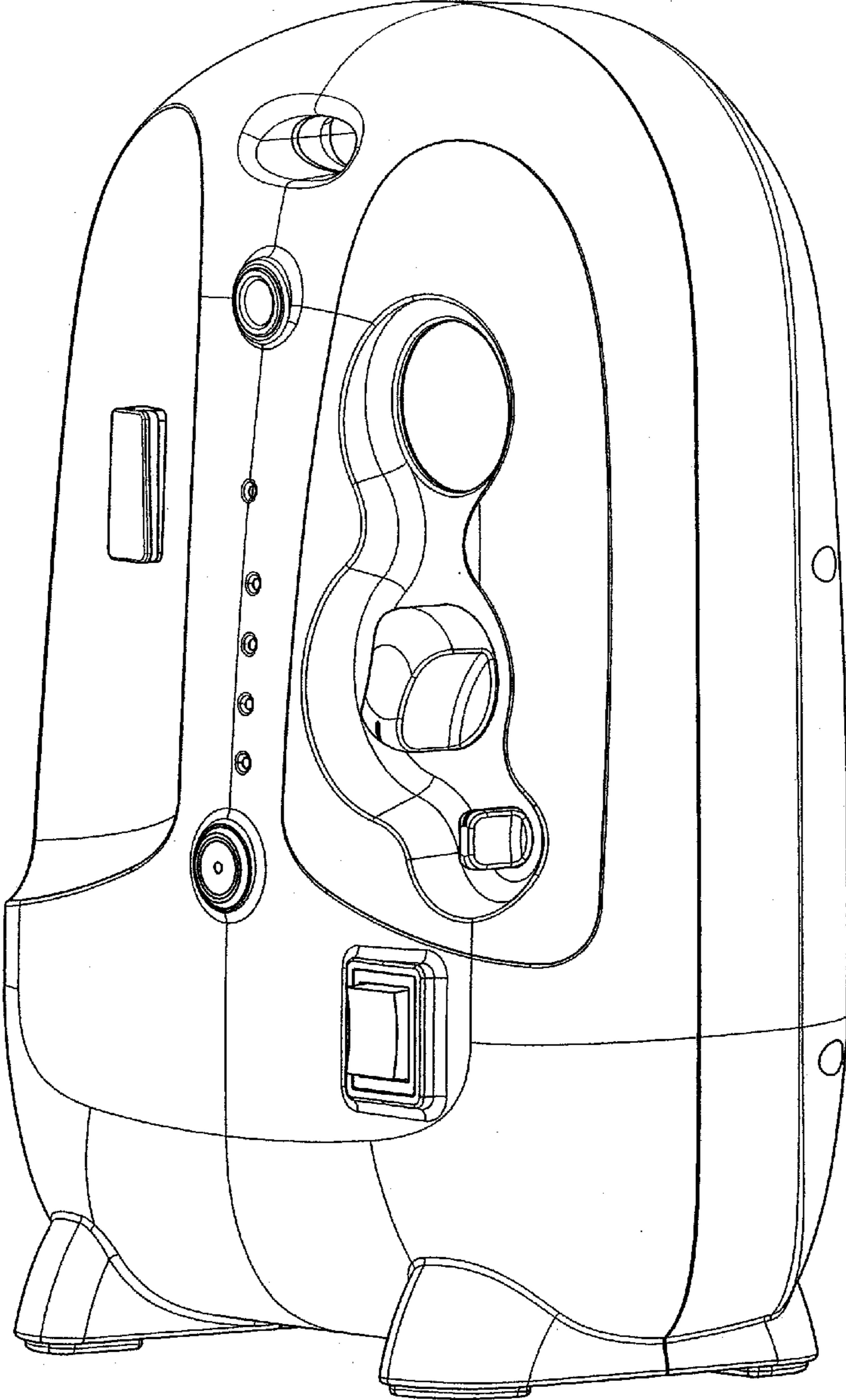


FIG. 1

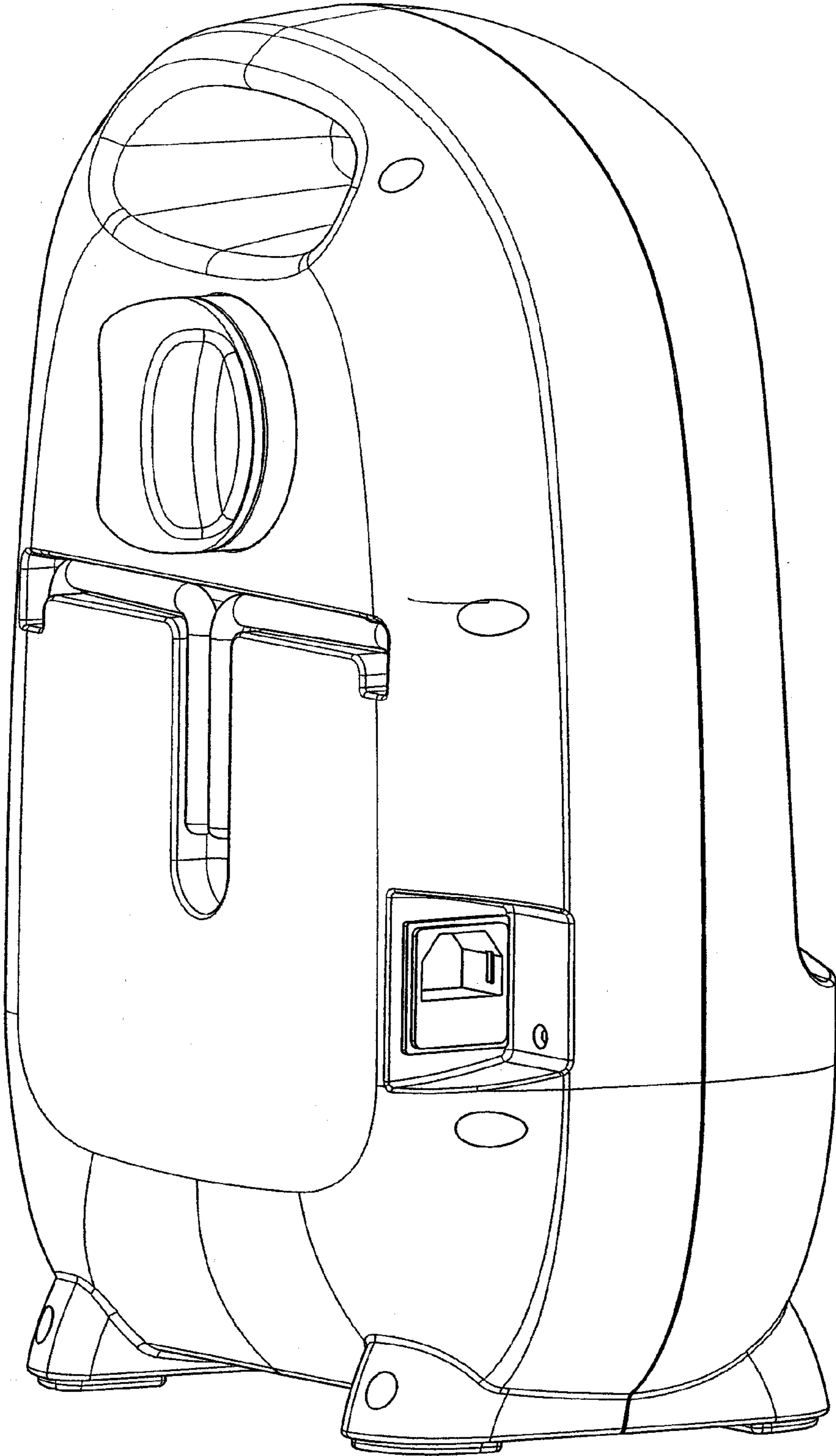


FIG. 2

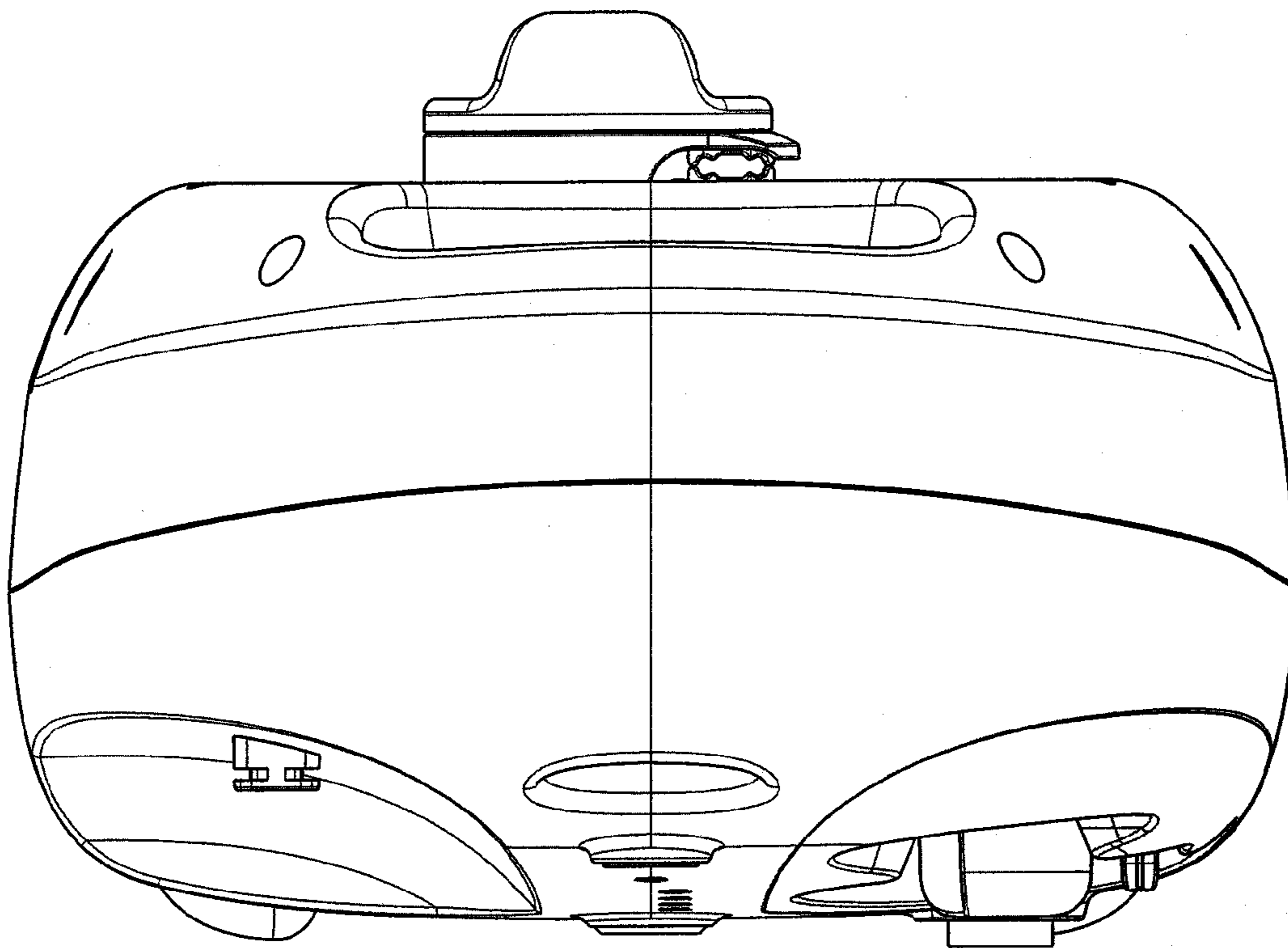


FIG. 3

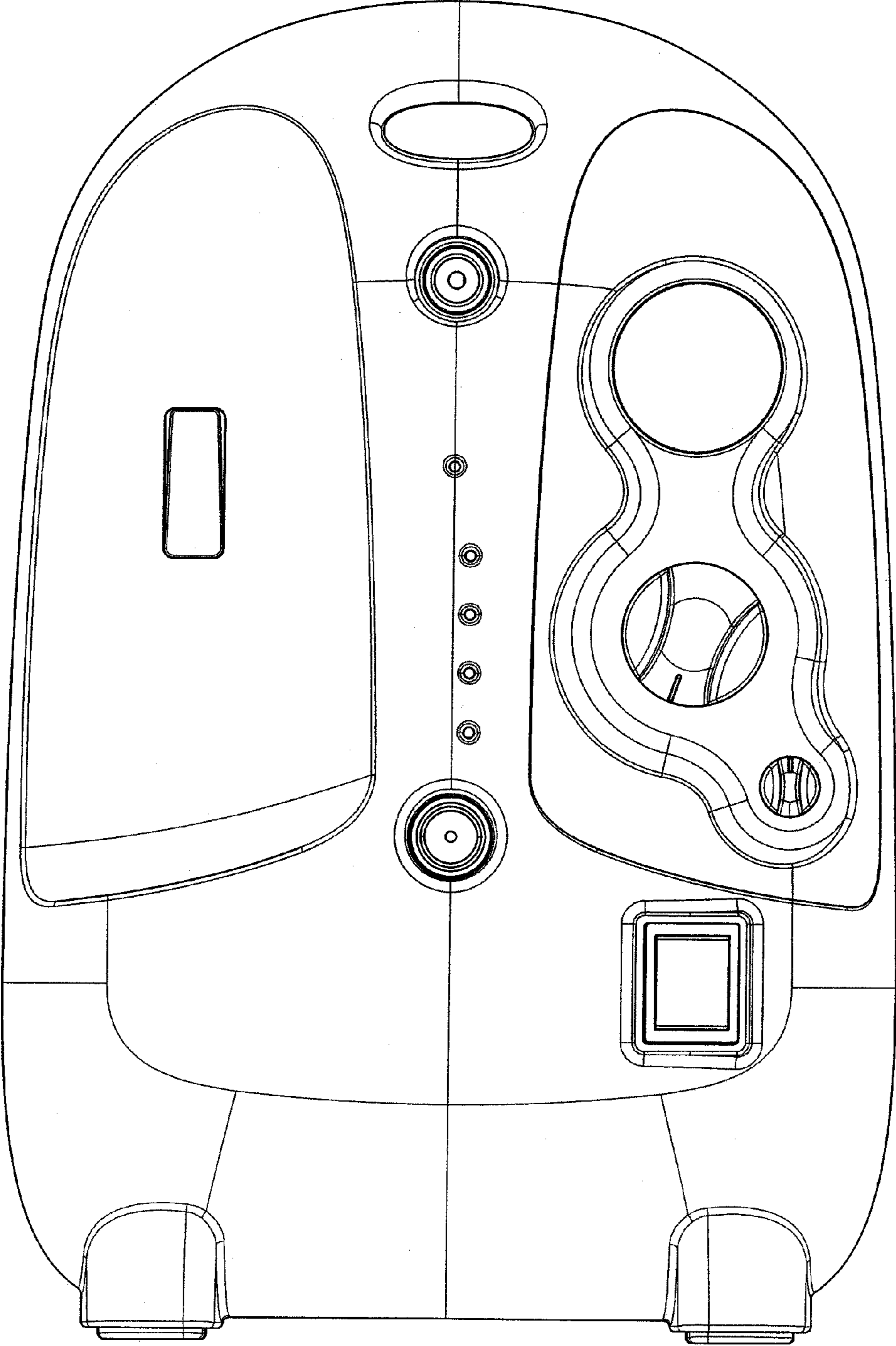


FIG. 4

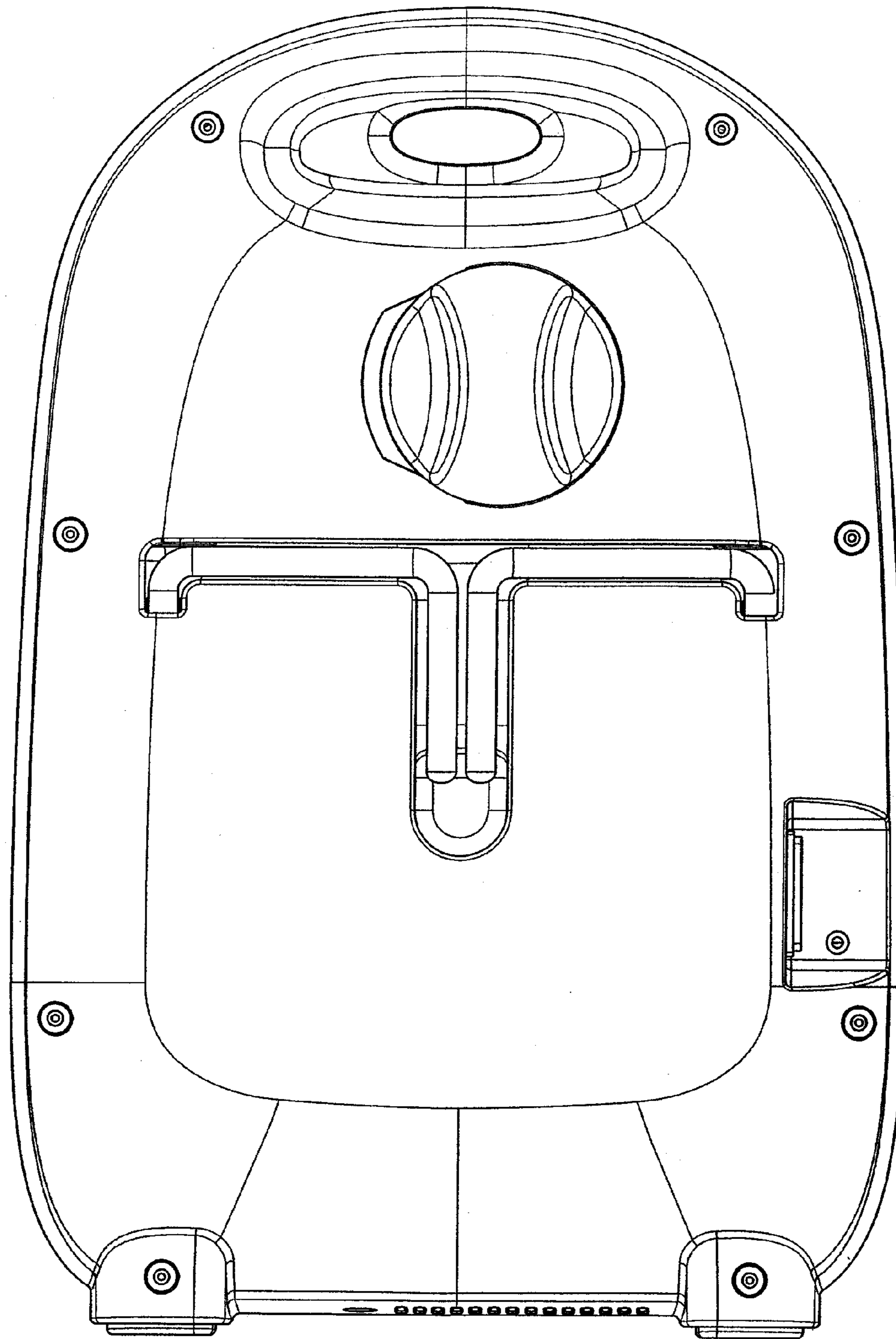


FIG. 5

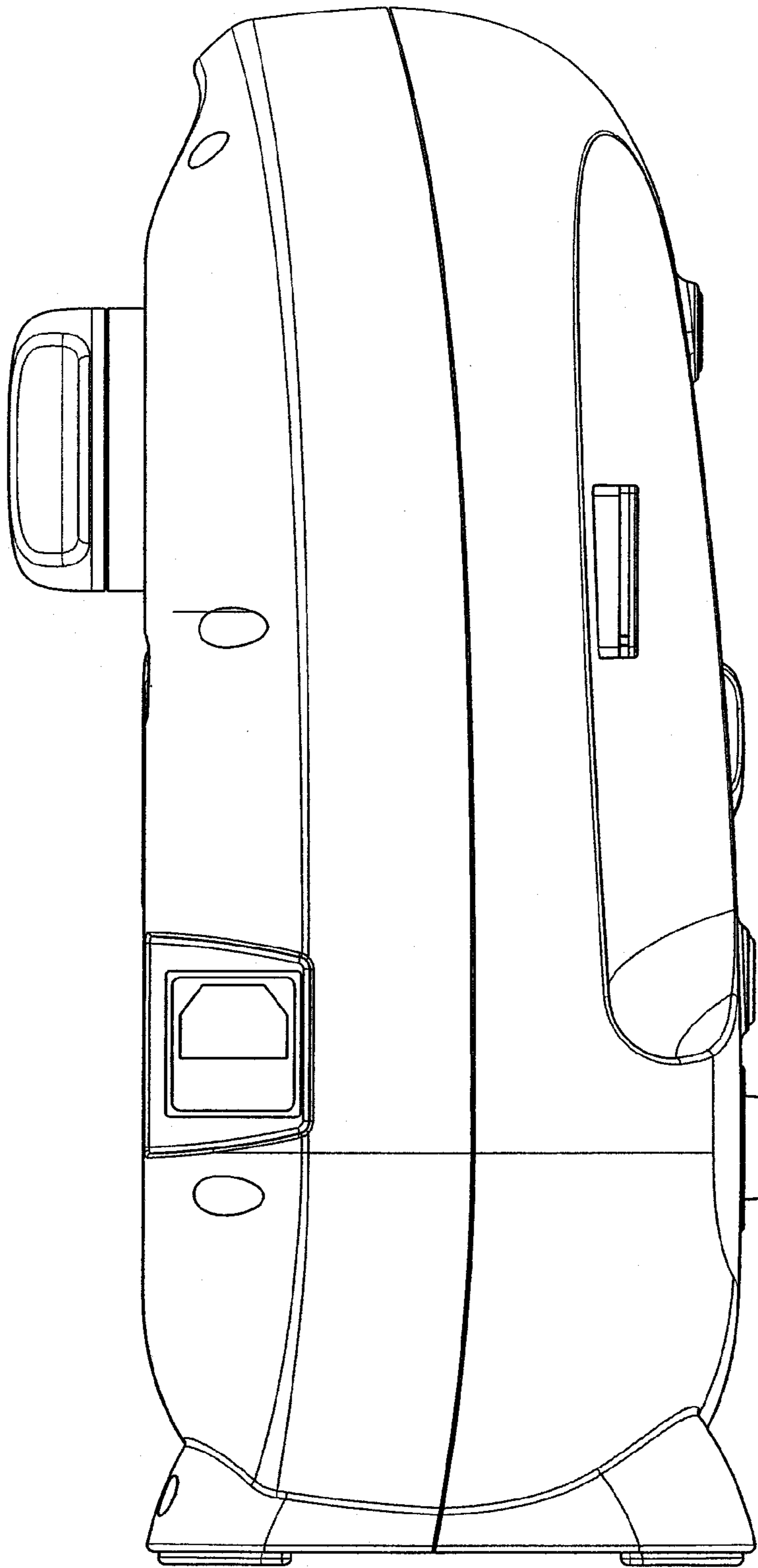


FIG. 6

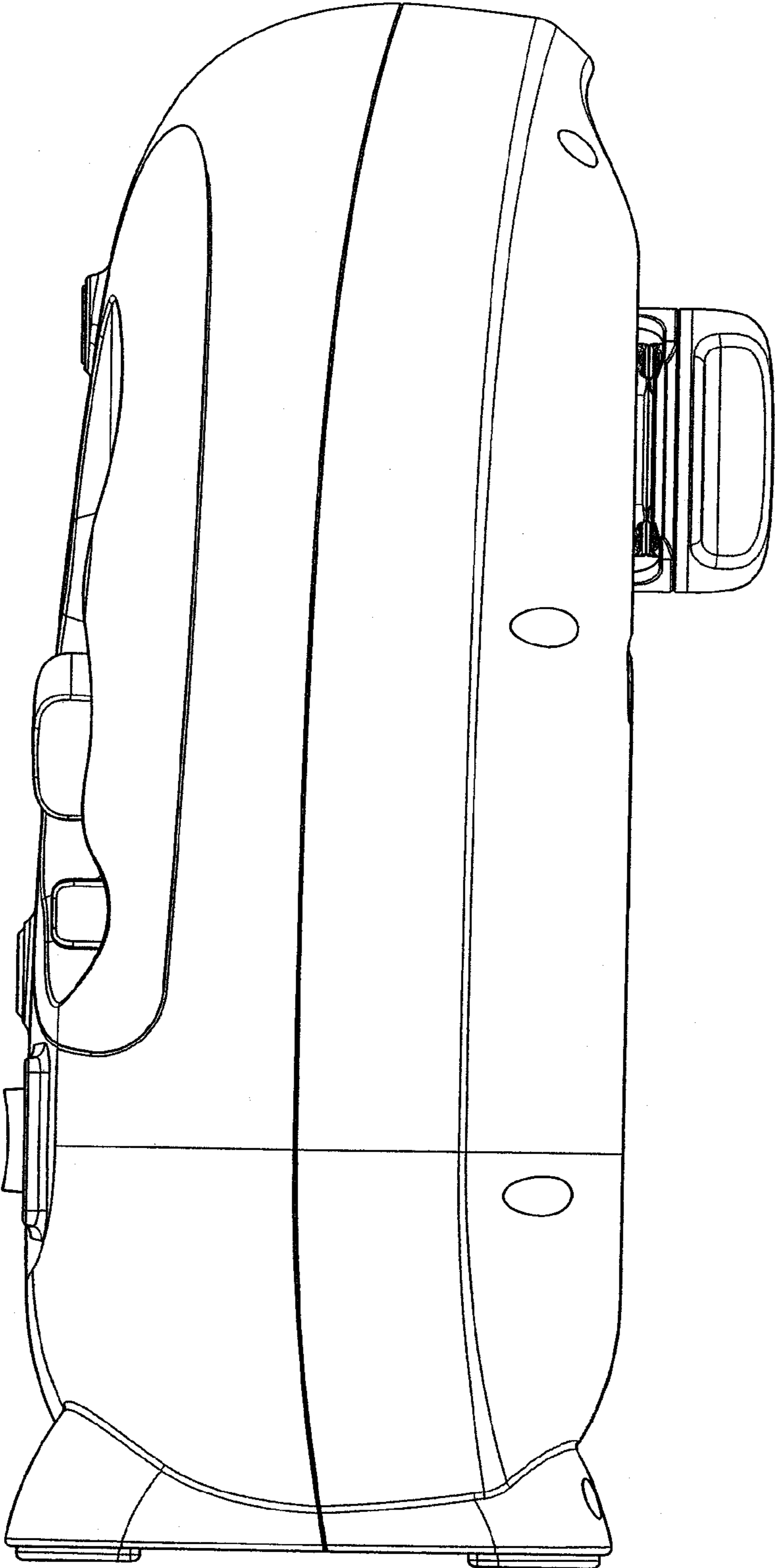


FIG. 7

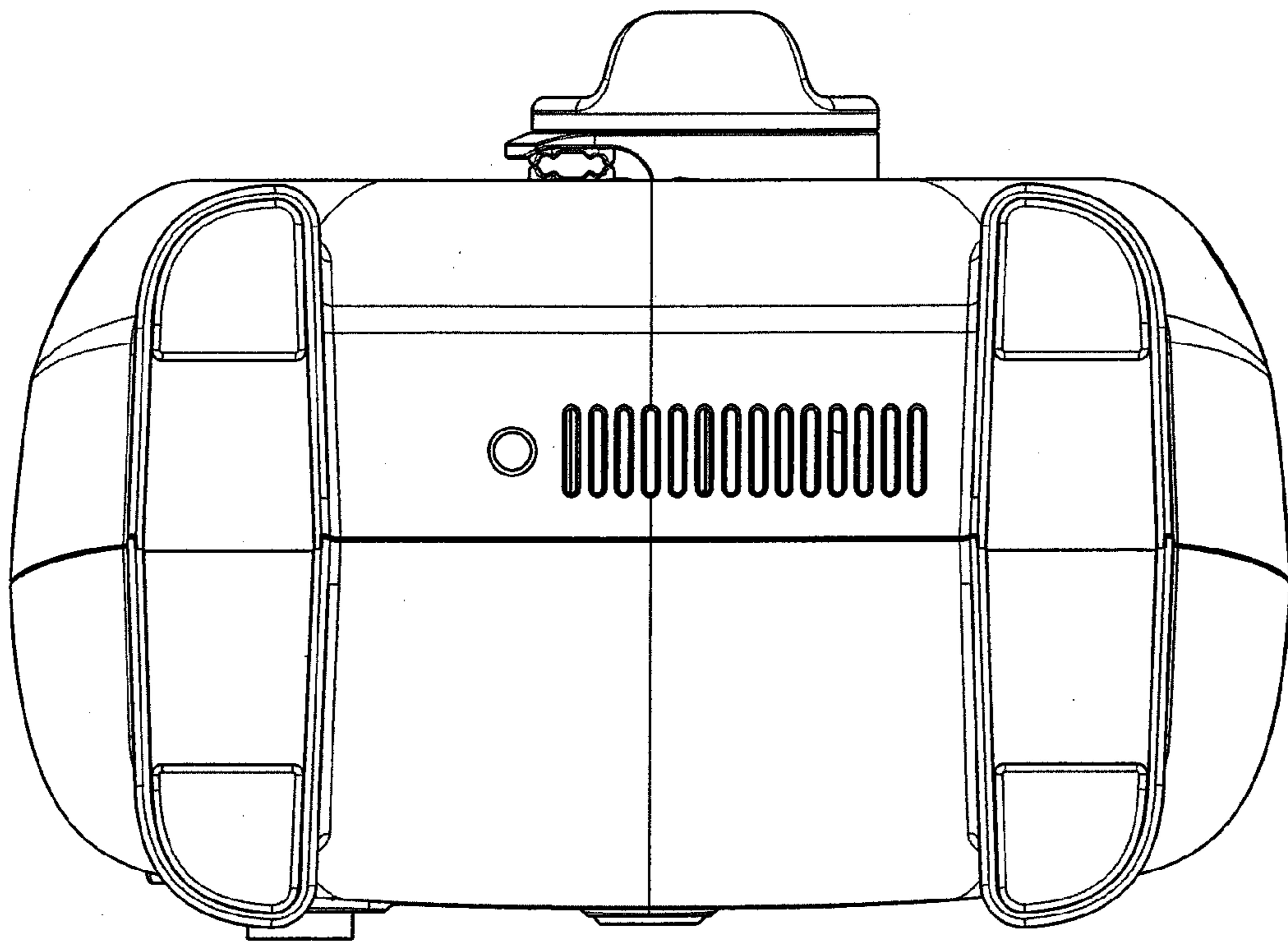


FIG. 8