



US00D616977S

(12) **United States Design Patent**
Asofsky et al.

(10) **Patent No.:** **US D616,977 S**
(45) **Date of Patent:** **** Jun. 1, 2010**

(54) **FIREPLACE INSERT**

D224,224 S * 7/1972 Mango D23/335

(75) Inventors: **Mark Asofsky**, Delray Beach, FL (US);
Tyler Nemes, Boynton Beach, FL (US)

(Continued)

(73) Assignee: **Twin-Star International Inc.**, Delray
Beach, FL (US)

FOREIGN PATENT DOCUMENTS

(**) Term: **14 Years**

CA 920111 1/1973

(21) Appl. No.: **29/328,882**

(Continued)

(22) Filed: **Dec. 3, 2008**

Primary Examiner—Robert M Spear

Assistant Examiner—Karen Acker

(51) **LOC (9) Cl.** **23-03**

(52) **U.S. Cl.** **D23/403**

(74) *Attorney, Agent, or Firm*—James David Johnson, PA;
James David Johnson

(58) **Field of Classification Search** D23/331,
D23/335–341, 343, 344, 346, 350, 386, 387,
D23/390, 391, 393, 396–410, 415–421, 499;
D7/402, 407, 408, 335–337; 126/12, 13.29,
126/44, 58, 92 AC, 144, 152 R, 215, 218,
126/219, 242, 243, 245, 500, 501, 509, 510,
126/544, 546, 548; 428/15, 21, 102; 431/125,
431/258, 268, 298, 302; 160/132, DIG. 9

(57) **CLAIM**

The ornamental design for a fireplace insert, as shown and
described.

See application file for complete search history.

DESCRIPTION

(56) **References Cited**

FIG. 1 is a front perspective view of a fireplace insert of the
invention.

U.S. PATENT DOCUMENTS

FIG. 2 is a front plane view of the fireplace insert of FIG. 1.

- 115,827 A * 6/1871 Davis 126/152 R
- 1,486,036 A * 3/1924 Risinger 126/92 R
- 1,686,358 A * 10/1928 Wolff 126/92 AC
- 1,867,110 A * 7/1932 Signore 126/86
- 1,867,740 A 7/1932 Guy
- 2,052,643 A * 9/1936 Modine 126/508
- D152,484 S * 1/1949 King et al. D23/339
- D172,930 S * 8/1954 Kosmak D23/350
- D172,931 S * 8/1954 Kosmak D23/350
- 3,080,862 A * 3/1963 Desgagne 126/521
- 3,499,239 A 3/1970 Mungo
- 3,582,250 A * 6/1971 Chatfield 431/125
- 3,603,013 A 9/1971 Reed et al.
- 3,636,307 A 1/1972 Pearce

FIG. 3 is a left side view of the fireplace insert of FIG. 1.

FIG. 4 is a right side view of the fireplace insert of FIG. 1.

FIG. 5 is a top view of the fireplace insert of FIG. 1.

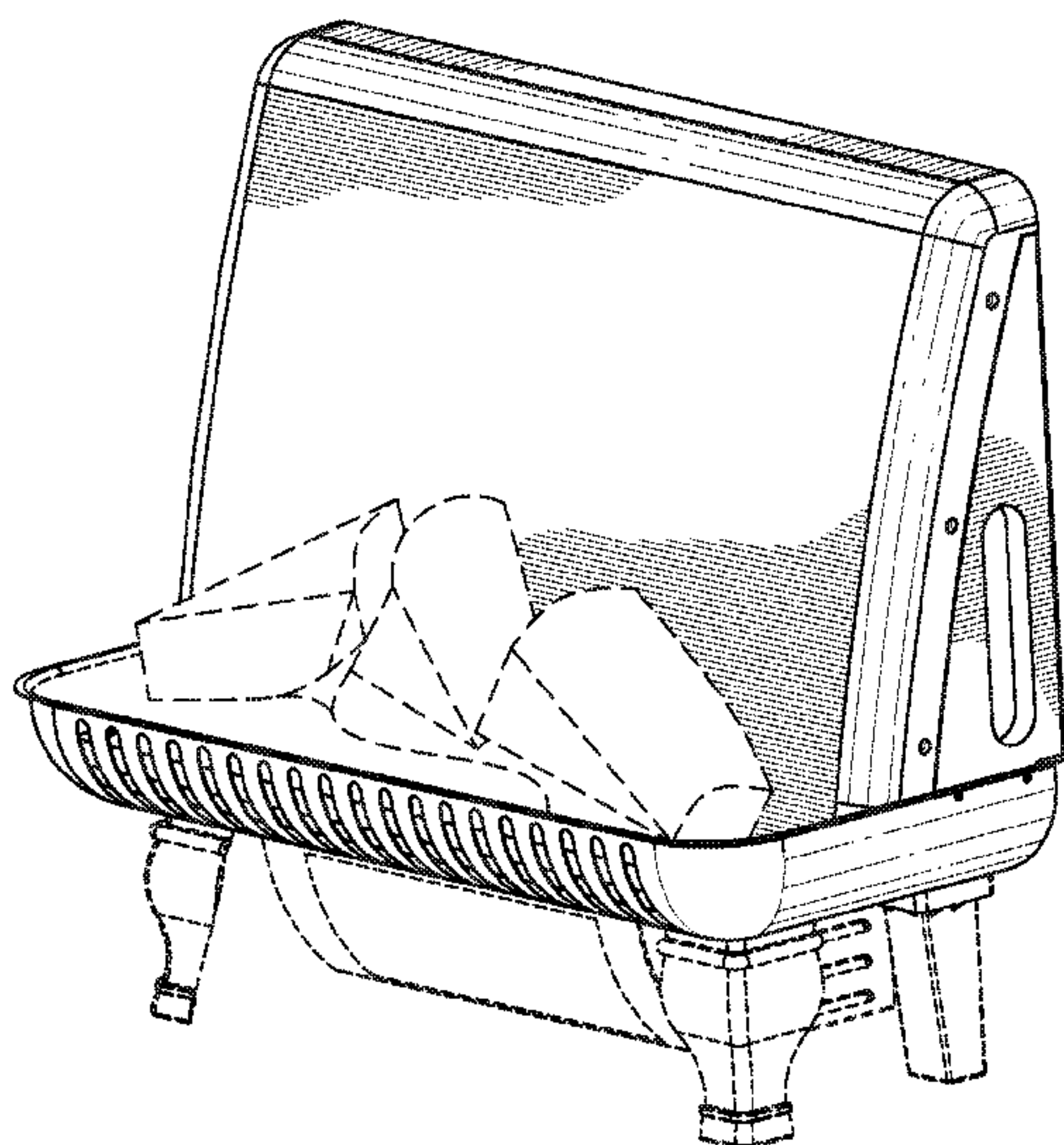
FIG. 6 is a bottom view of the fireplace insert of FIG. 1.

FIG. 7 is a rear view of the fireplace insert of FIG. 1; and,

FIG. 8 is a right front perspective view of the fireplace insert
of FIG. 1.

The broken lines in the drawings represent unclaimed envi-
ronmental subject matter.

1 Claim, 6 Drawing Sheets



US D616,977 S

Page 2

U.S. PATENT DOCUMENTS

3,699,697	A	10/1972	Painton	
D234,358	S *	2/1975	Lever	D23/350
3,978,598	A	9/1976	Rose et al.	
D276,303	S *	11/1984	Chan	D7/337
4,573,905	A	3/1986	Meyers	
4,838,781	A *	6/1989	Fischer	431/125
4,890,600	A	1/1990	Meyers	
D308,248	S *	5/1990	Koch	D23/401
5,195,820	A	3/1993	Rehberg	
5,311,686	A	5/1994	Christensen	
D384,405	S *	9/1997	Wilson	D23/339
5,839,427	A	11/1998	Shorts	
5,924,784	A	7/1999	Chliwnyj et al.	
6,050,011	A	4/2000	Hess et al.	
6,053,165	A	4/2000	Butler et al.	
6,162,047	A	12/2000	Hess	
6,340,868	B1	1/2002	Lys et al.	
6,350,498	B1	2/2002	Hess et al.	
D455,205	S *	4/2002	Davis et al.	D23/350
D456,501	S *	4/2002	Chen	D23/343
6,385,881	B1	5/2002	Hess	
6,393,207	B1	5/2002	Martin et al.	
6,413,079	B1	7/2002	Lyons et al.	
6,564,485	B1	5/2003	Hess	
6,615,519	B2	9/2003	Hess	
6,666,206	B1 *	12/2003	Myrick	126/522
6,672,860	B2	1/2004	Bachinski	
6,691,440	B1	2/2004	Petz et al.	
6,718,665	B2	4/2004	Hess et al.	
6,736,133	B2	5/2004	Bachinski et al.	
6,757,487	B2	6/2004	Martin et al.	
6,792,319	B1	9/2004	Bilger	
D498,523	S *	11/2004	Davis	D23/332
6,880,275	B2	4/2005	Mix et al.	
6,944,982	B2	9/2005	Schroeter et al.	
7,111,421	B2	9/2006	Corry et al.	
7,134,229	B2	11/2006	Hess et al.	
7,162,820	B2	1/2007	Hess et al.	
7,210,256	B2	5/2007	Rosserot	
7,219,456	B1	5/2007	Wei et al.	
7,236,693	B2	6/2007	Haugom	
2002/0139021	A1	10/2002	Hess et al.	
2002/0152655	A1	10/2002	Merrill et al.	
2002/0166554	A1	11/2002	Berg	
2003/0041491	A1	3/2003	Mix	
2003/0046837	A1	3/2003	Hess	
2003/0049024	A1	3/2003	Chen	
2003/0156828	A1	8/2003	Jamieson et al.	
2003/0201957	A1	10/2003	Mix et al.	
2004/0173202	A1	9/2004	Lyons et al.	
2004/0181989	A1	9/2004	Miller	
2004/0255931	A1	12/2004	Bachinski et al.	
2004/0264949	A1	12/2004	Deng	
2005/0066960	A1	3/2005	Harp	
2005/0086841	A1	4/2005	Schroeter et al.	
2005/0090915	A1	4/2005	Geiwitz	
2005/0097792	A1	5/2005	Naden	
2005/0155262	A1	7/2005	Mix et al.	
2005/0252051	A1	11/2005	Chen	
2006/0101681	A1	5/2006	Hess et al.	

2006/0150966	A1	7/2006	Jamieson
2006/0153547	A1	7/2006	O'Neill
2006/0185664	A1	8/2006	Butler
2006/0188831	A1	8/2006	Hess et al.
2006/0191529	A1	8/2006	McDonald
2006/0213097	A1	9/2006	Haugom
2006/0242870	A1	11/2006	Atemboski et al.
2007/0094903	A1	5/2007	Hess et al.
2007/0125367	A1	6/2007	Lim et al.
2007/0224561	A1	9/2007	Hess et al.

FOREIGN PATENT DOCUMENTS

CA	1030833	5/1978
CA	1055796	6/1979
CA	1065221	10/1979
CA	1068736	12/1979
CA	1110940	10/1981
CA	1125127	6/1982
CA	1225427	8/1987
CA	2009379	8/1990
CA	1290208	10/1991
CA	2108300	4/1995
CA	2188244	4/1998
CA	2291014	12/1998
CA	2227951	7/1999
CA	2259866	7/1999
CA	2356146	7/1999
CA	2252213	4/2000
CA	2299816	9/2000
CA	2313972	1/2001
CA	2406557	4/2003
CA	2428411	7/2004
CA	2459898	9/2004
CA	2562462	10/2004
CA	2475527	1/2005
CA	2470739	2/2005
CA	2459788	5/2005
CA	2488243	8/2005
CA	2459849	9/2005
CA	2500939	9/2005
CA	2511081	1/2006
CA	2579444	3/2006
CA	2579778	3/2006
CA	2526747	5/2006
CA	2528761	6/2006
CA	2531304	7/2006
CA	2597577	8/2006
CA	2561120	3/2007
EP	409371 A1 *	1/1991
EP	1225389	7/2002
EP	1703211	9/2006
GB	2372805	9/2002
GB	2391614	2/2004
GB	2430487	3/2007
WO	8404018	10/1984
WO	0057109	9/2000
WO	2005028962	3/2005
WO	2006040167	4/2006
WO	2007069143	6/2007

* cited by examiner

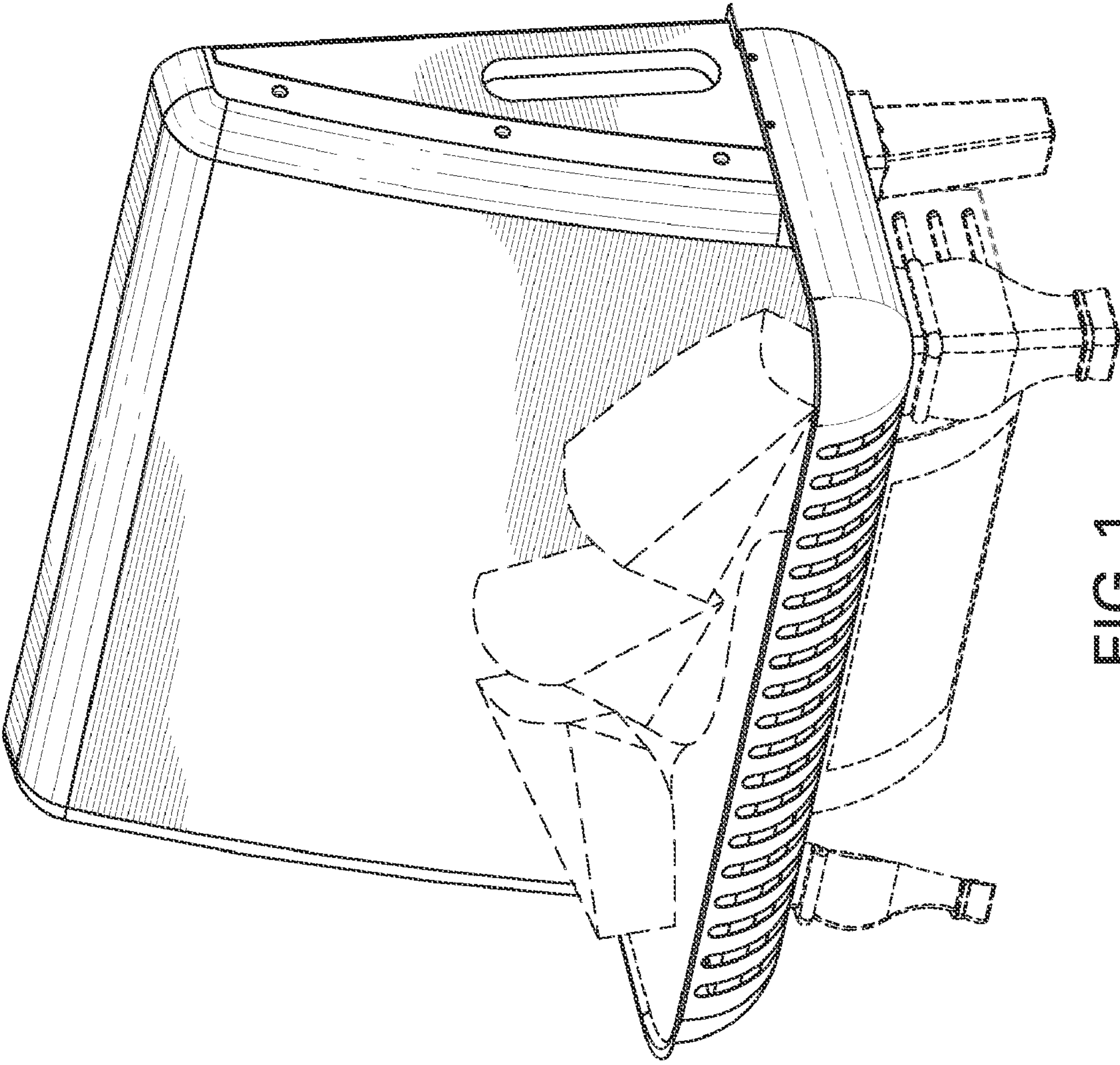


FIG. 1

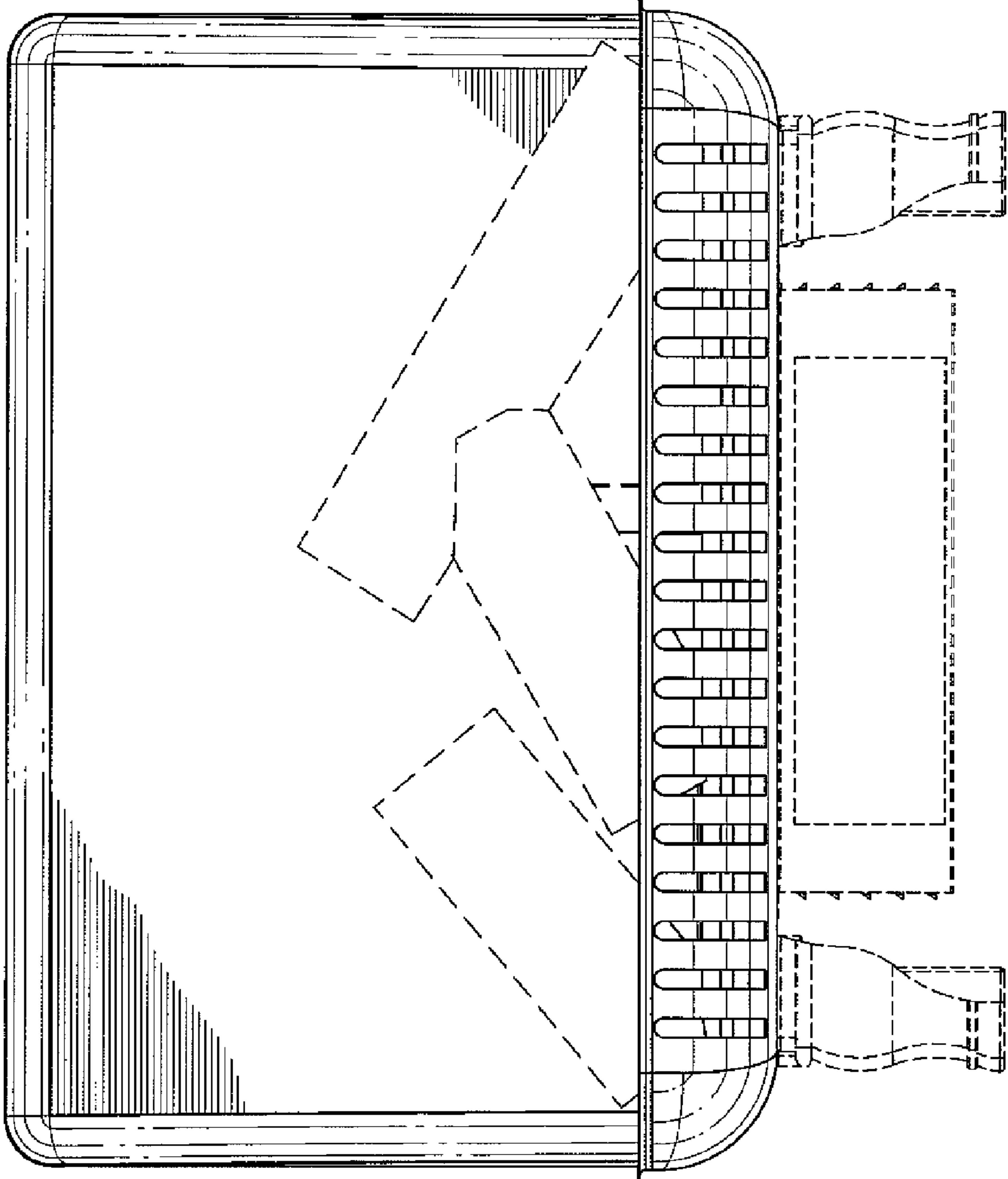


FIG. 2

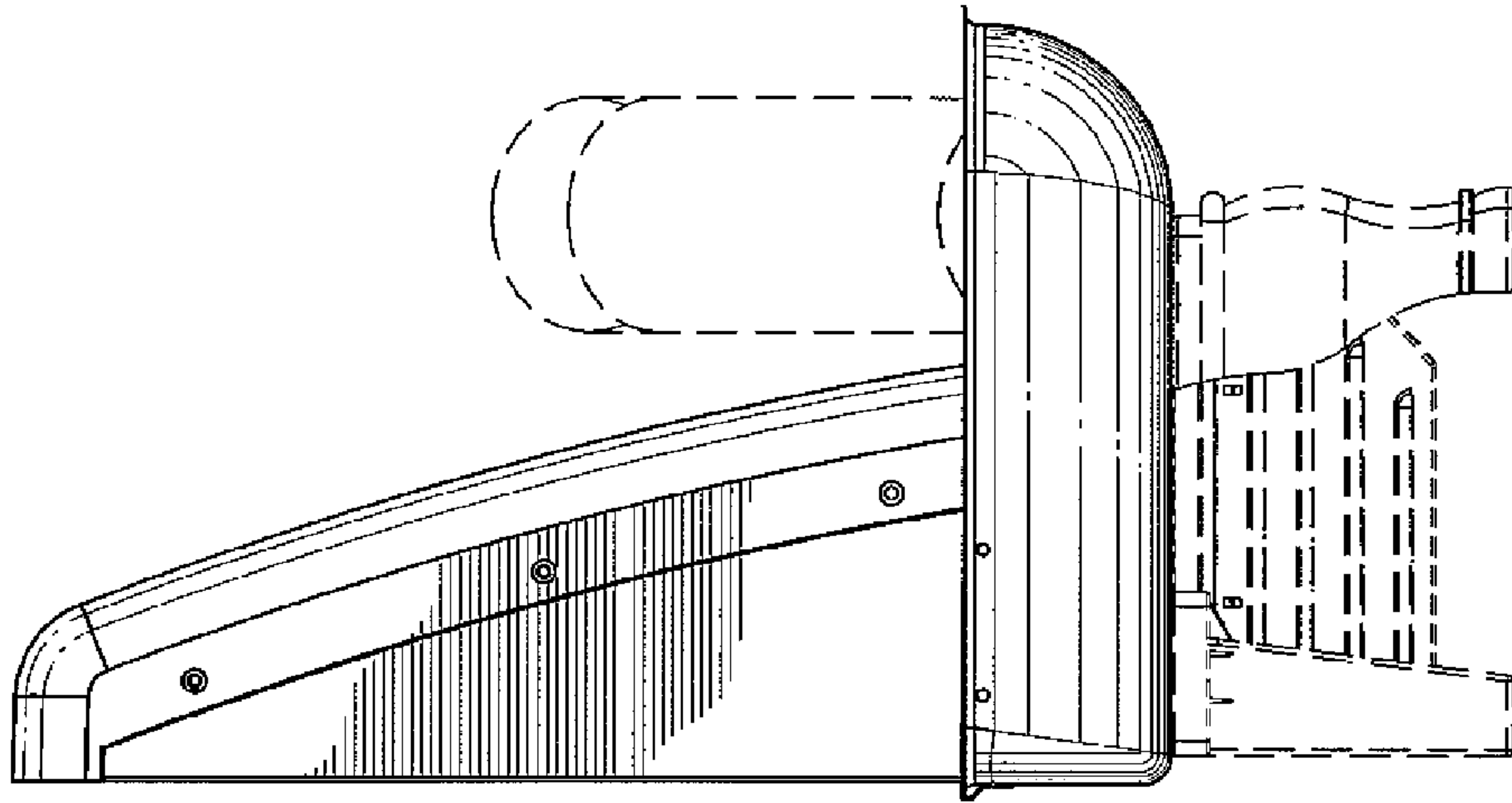


FIG. 4

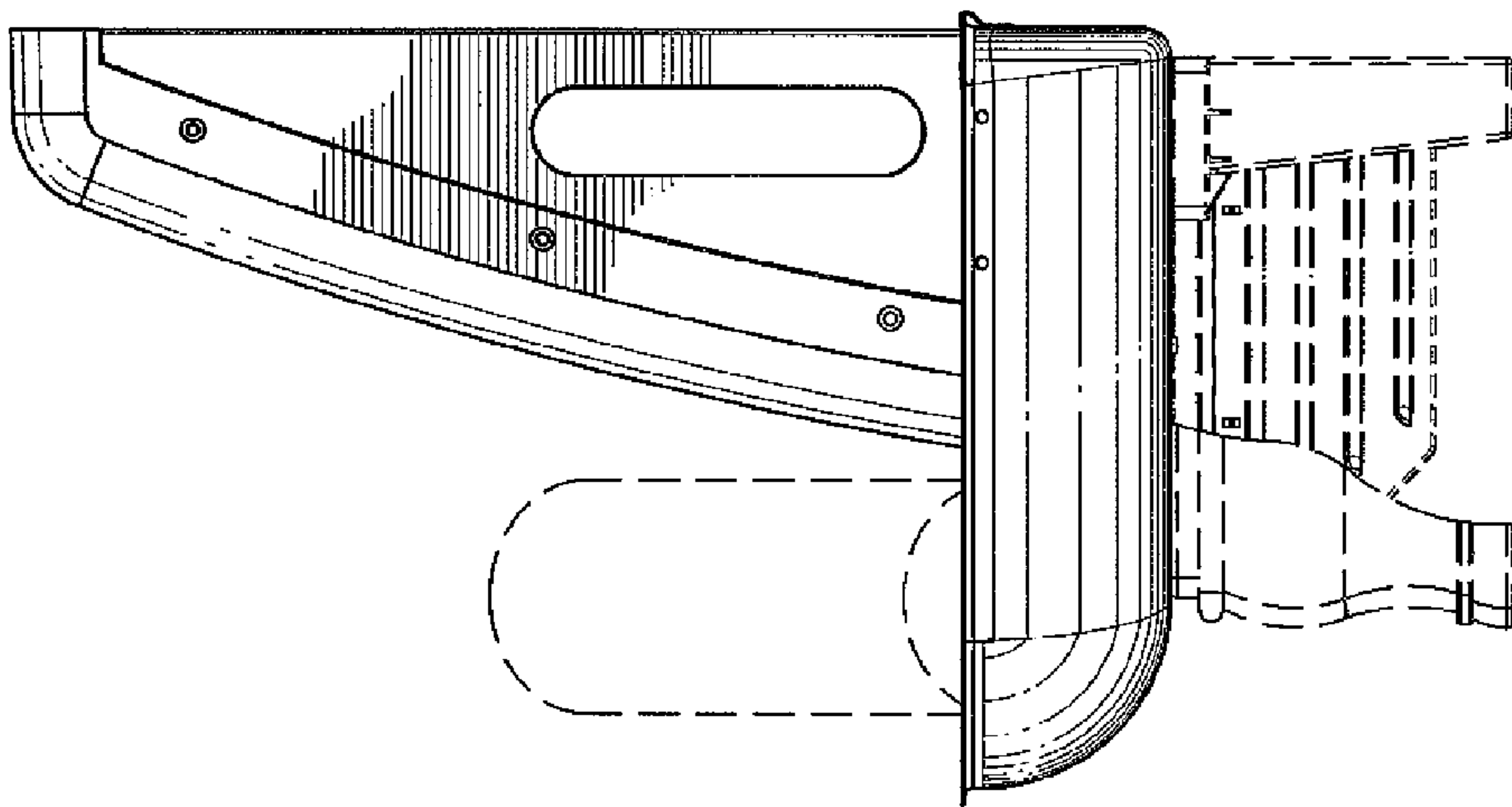


FIG. 3

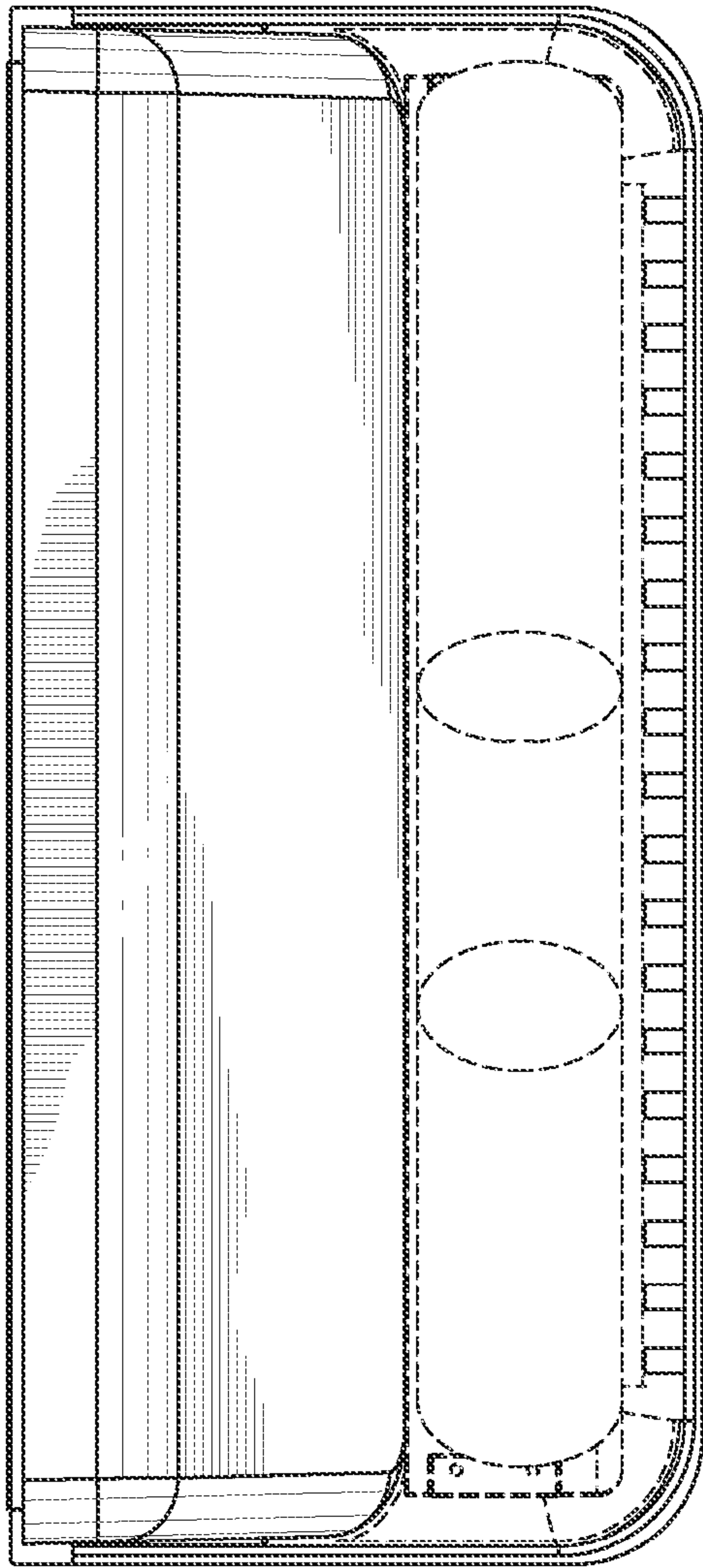


FIG. 5

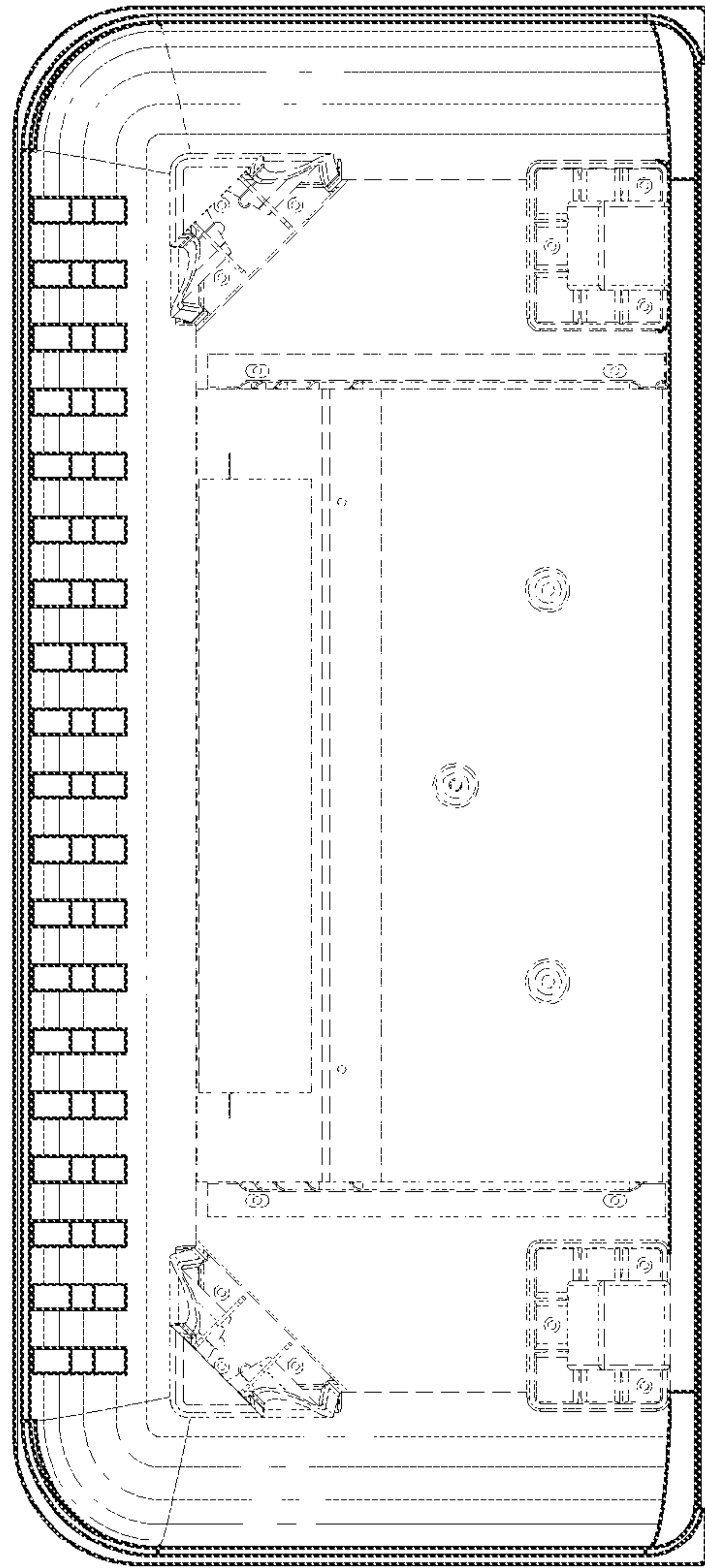


FIG. 6

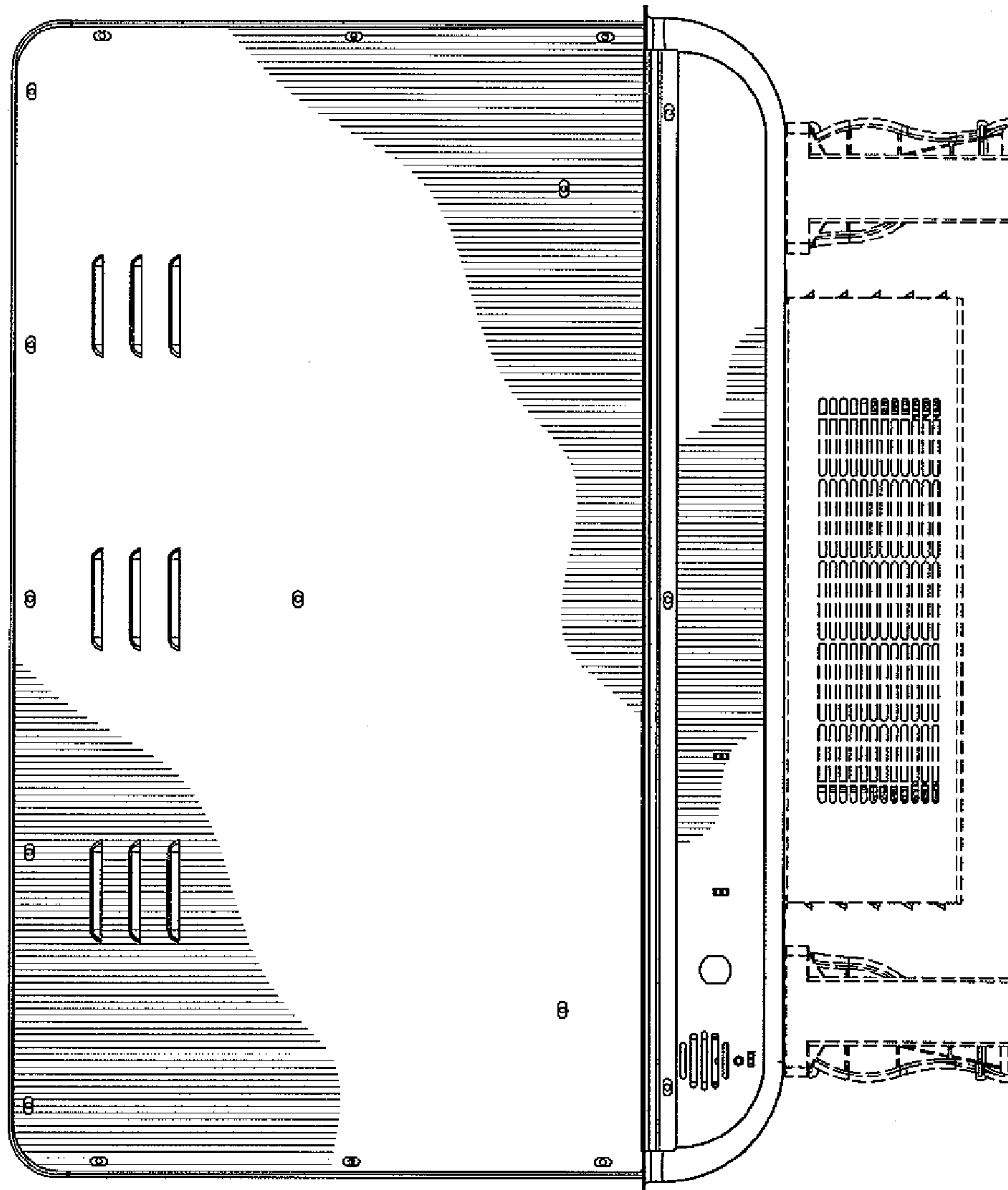


FIG. 7

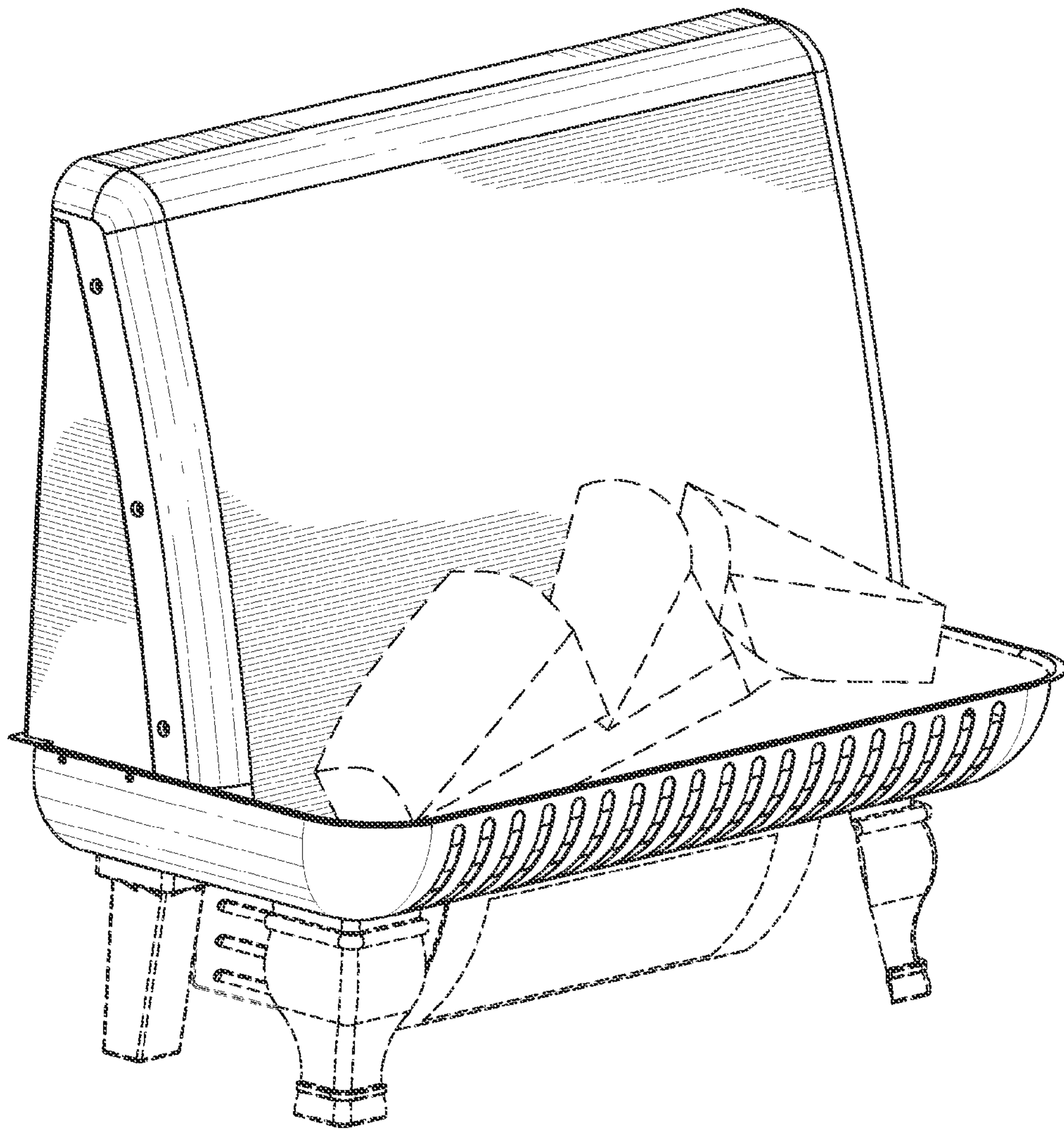


FIG. 8