



US00D616973S

(12) **United States Design Patent**
Maegawa et al.

(10) **Patent No.:** **US D616,973 S**
(45) **Date of Patent:** **** *Jun. 1, 2010**

(54) **AIR HEATER**

(75) Inventors: **Katsunori Maegawa**, Nagoya (JP);
Tetsuya Higuchi, Nagoya (JP); **Hiroaki Higashijima**, Nagoya (JP); **Yoshikazu Kubo**, Nagoya (JP)

(73) Assignee: **Rinnai Corporation**, Aichi-ken (JP)

(*) Notice: This patent is subject to a terminal disclaimer.

(**) Term: **14 Years**

(21) Appl. No.: **29/344,150**

(22) Filed: **Sep. 24, 2009**

(51) **LOC (9) Cl.** **23-03**

(52) **U.S. Cl.** **D23/342**

(58) **Field of Classification Search** D23/314,
D23/332, 335-350, 378, 370, 381, 354, 351,
D23/386, 333, 328, 353, 361, 385, 417, 357,
D23/334, 355, 359, 362, 366; 392/365, 367,
392/424, 383, 411, 360, 369, 373-376; 126/183,
126/110 B, 91 A, 92 A, 500, 544, 547; 431/125;
D99/29

See application file for complete search history.

(56) **References Cited**

U.S. PATENT DOCUMENTS

D503,219 S *	3/2005	Giugiaro	D23/328
D505,997 S *	6/2005	Maegawa	D23/332
D530,236 S *	10/2006	Maegawa	D10/111
D595,821 S *	7/2009	Buron	D23/316
D598,528 S *	8/2009	Choi et al.	D23/359
D604,401 S *	11/2009	Chun et al.	D23/359

* cited by examiner

Primary Examiner—T. Chase Nelson
Assistant Examiner—Ania K Dworzecka
(74) *Attorney, Agent, or Firm*—Turocy & Watson, LLP

(57) **CLAIM**

The ornamental design of an air heater, as shown and described.

DESCRIPTION

FIG. 1 is a front elevation view of an air heater showing my new design;

FIG. 2 is a rear elevation view thereof;

FIG. 3 is a left side elevation view thereof;

FIG. 4 is a right side elevation view thereof;

FIG. 5 is a top plan view thereof;

FIG. 6 is a bottom plan view thereof;

FIG. 7 is an A—A cross section view of FIG. 6;

FIG. 8 is a perspective view thereof;

FIG. 9 is an enlarged view of FIG. 5;

FIG. 10 is a rear elevation view showing an another embodiment of my new design;

FIG. 11 is a left side elevation view thereof;

FIG. 12 is a right side elevation view thereof;

FIG. 13 is a top plan view thereof;

FIG. 14 is a bottom plan view thereof;

FIG. 15 is an A—A cross section view of FIG. 14;

FIG. 16 is an perspective view thereof; and,

FIG. 17 is an enlarged view of FIG. 13.

1 Claim, 17 Drawing Sheets

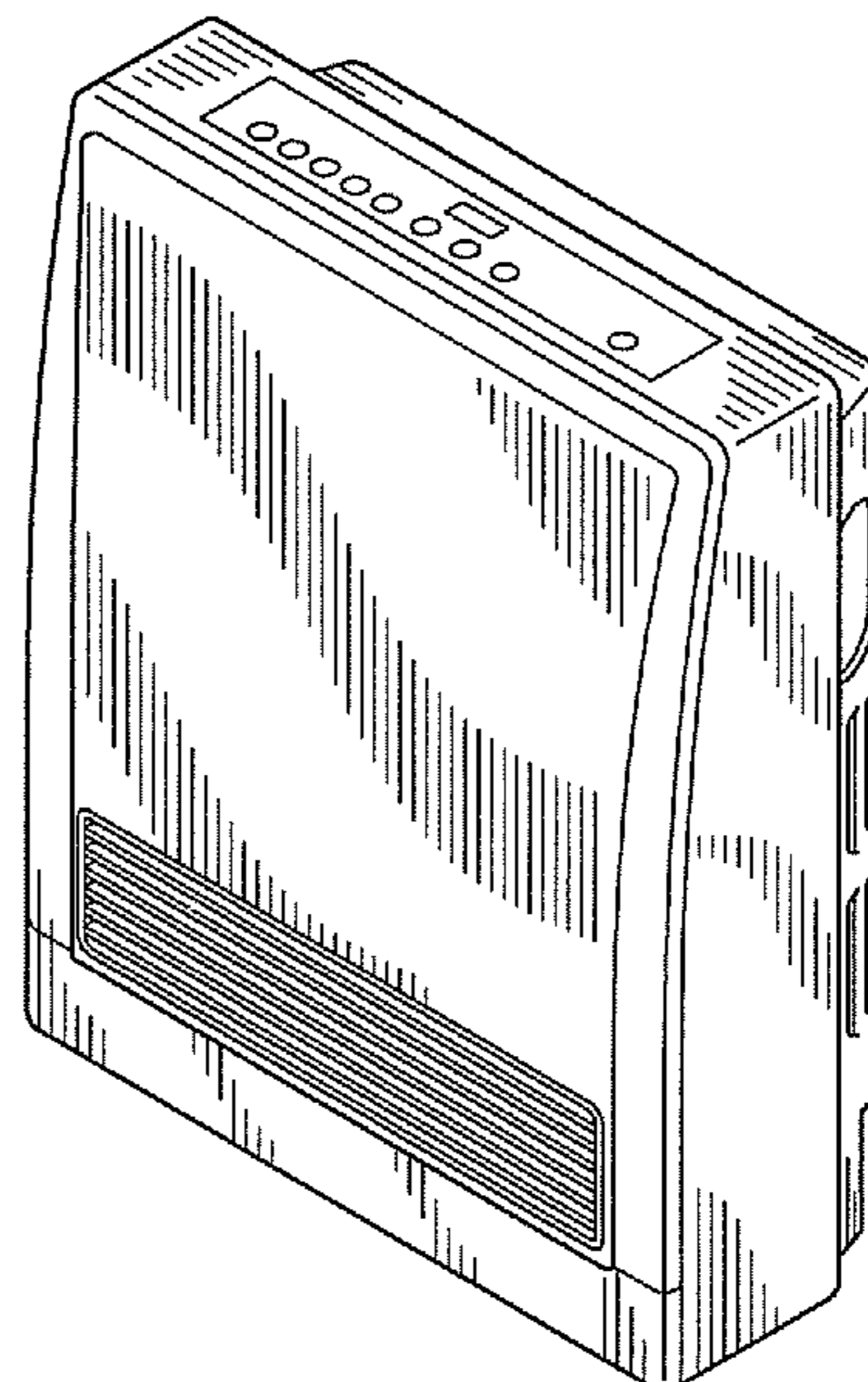
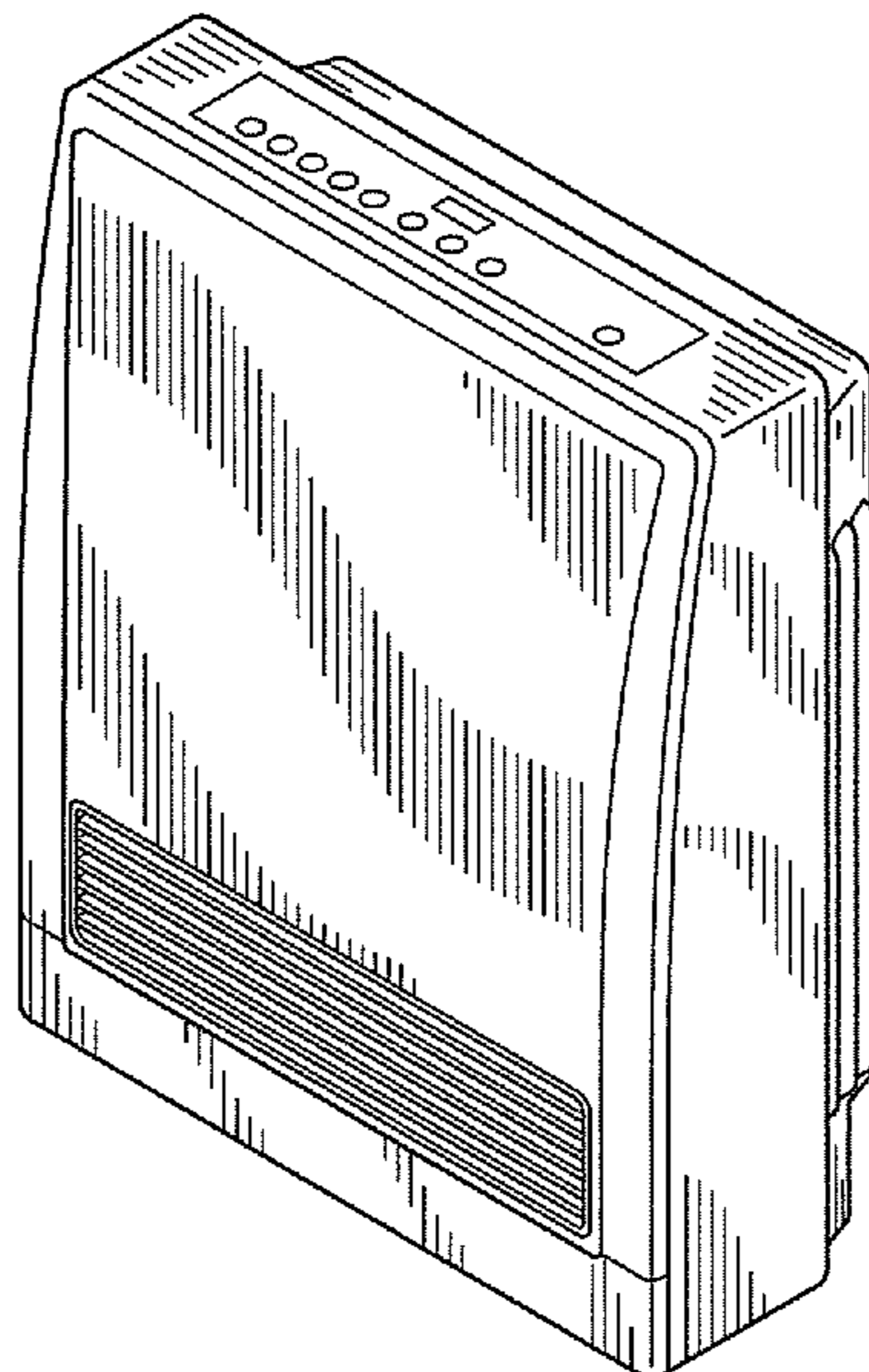


Fig. 1

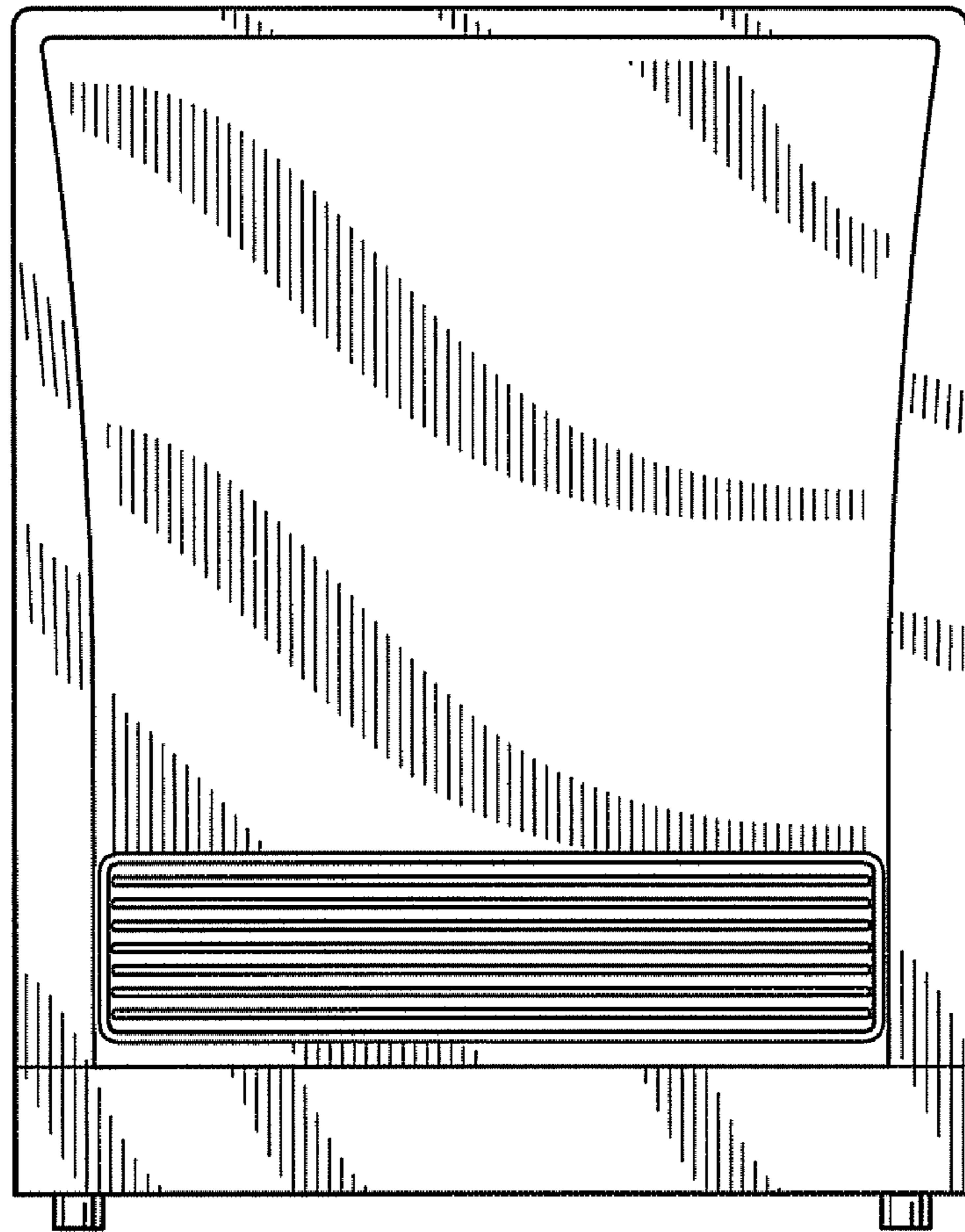


Fig. 2

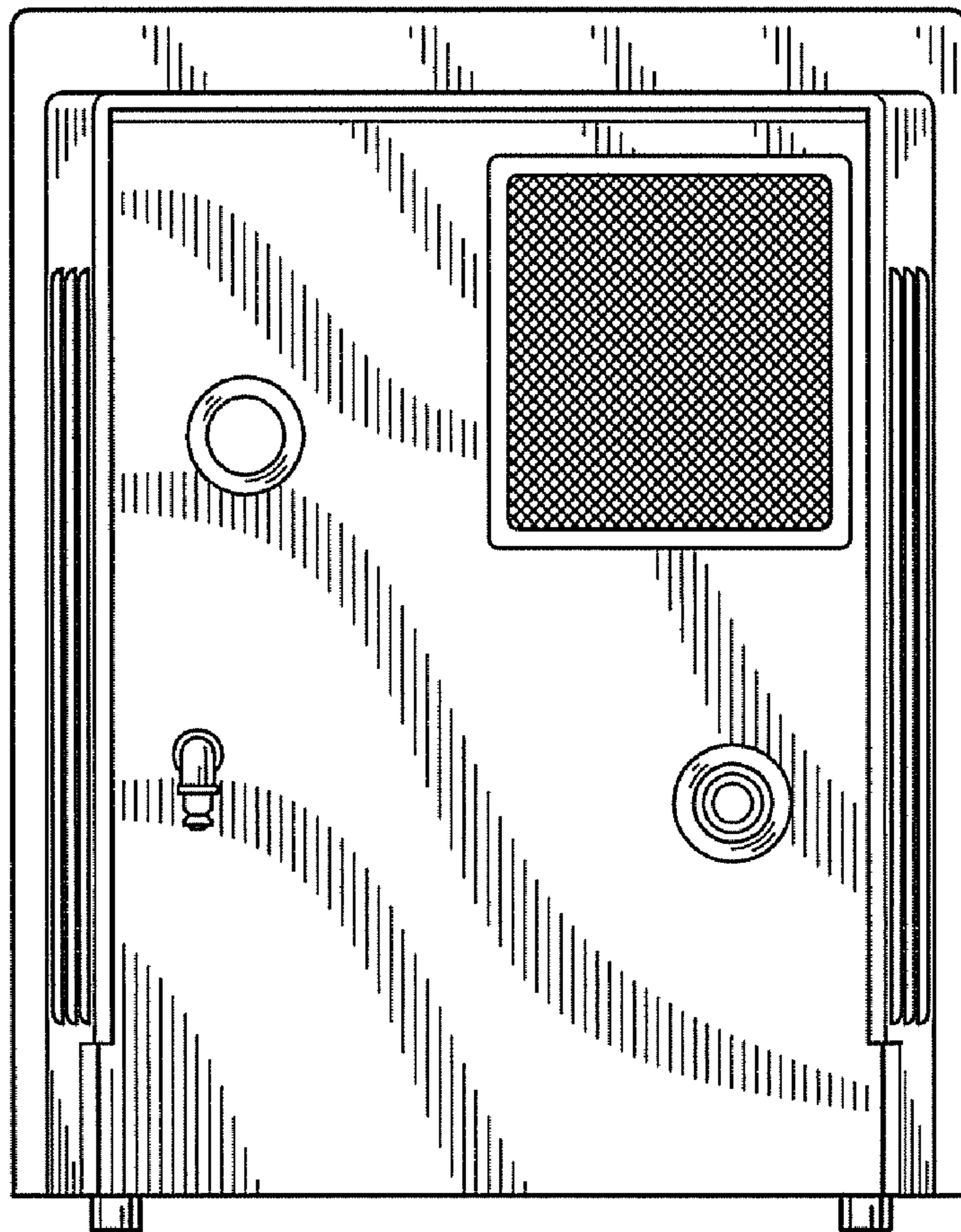


Fig. 3

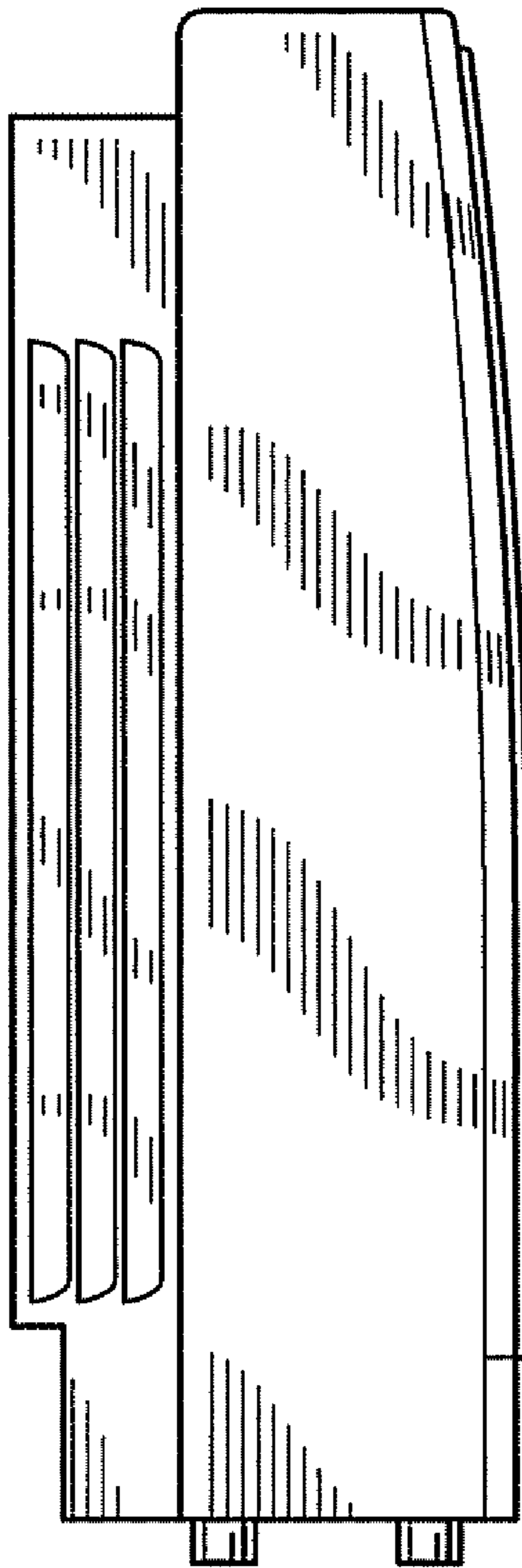


Fig. 4

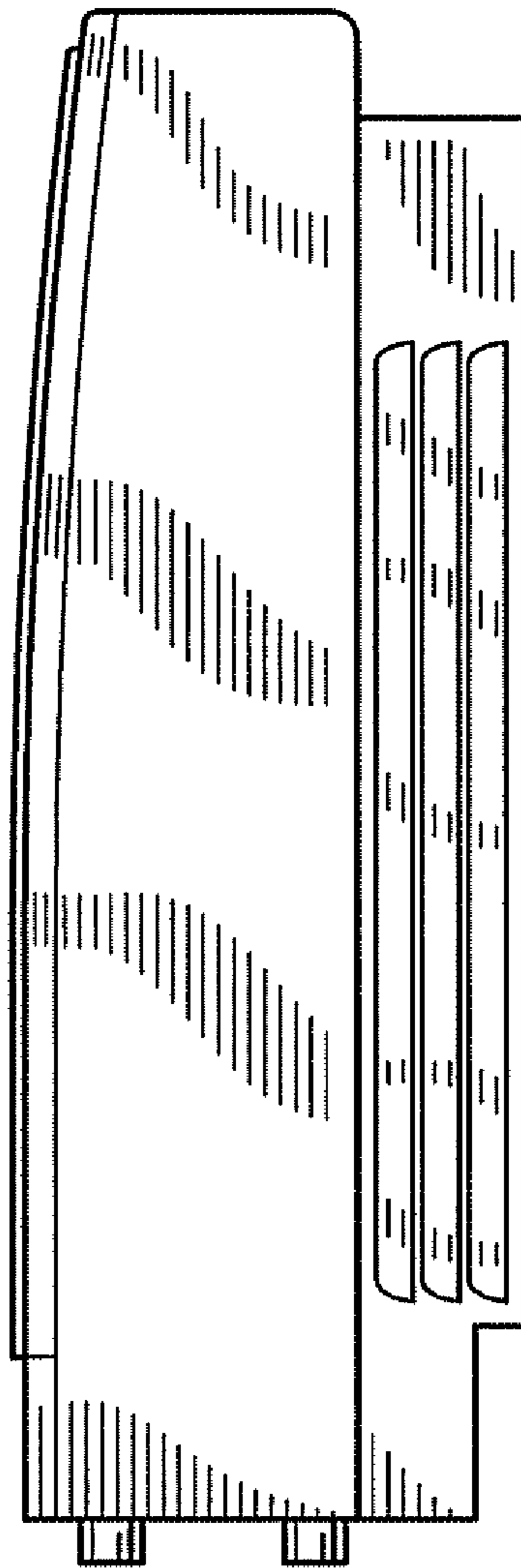


Fig. 5

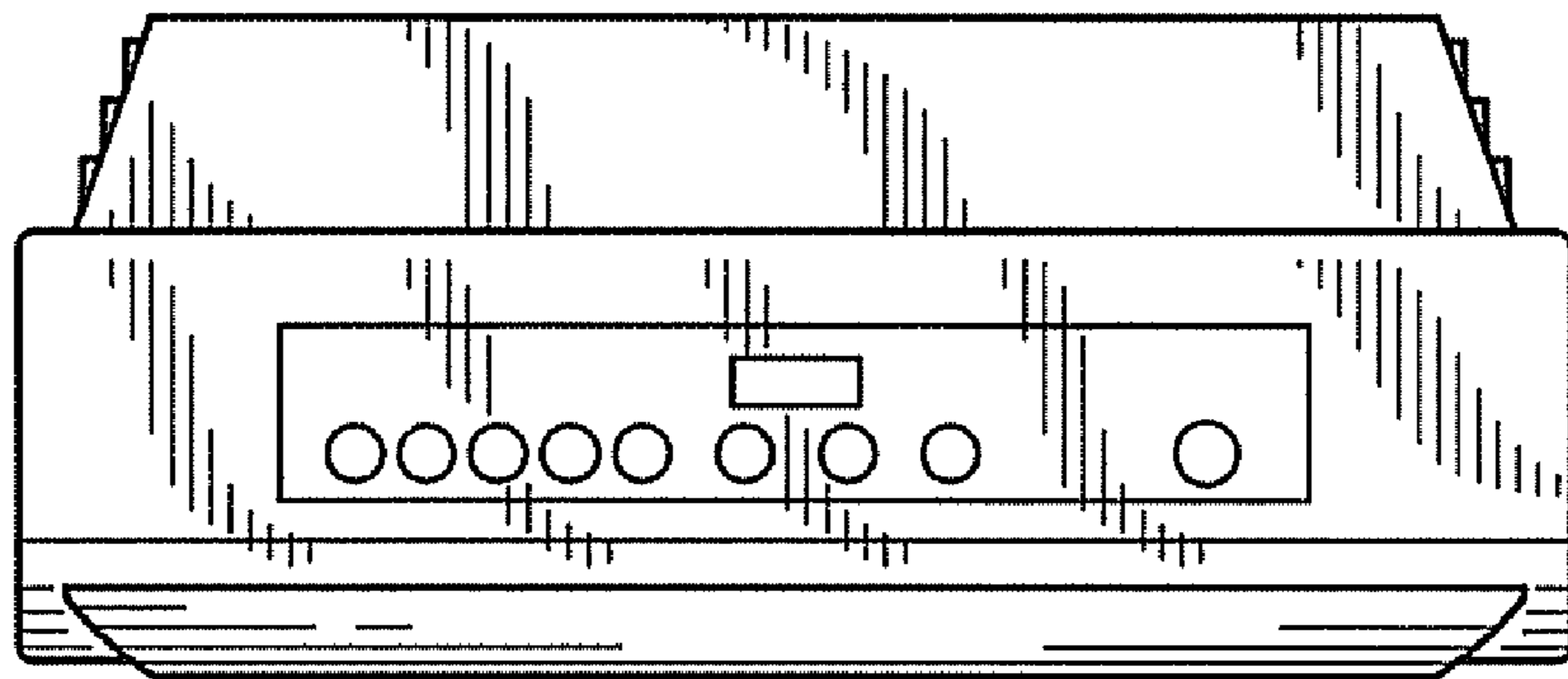


Fig. 6

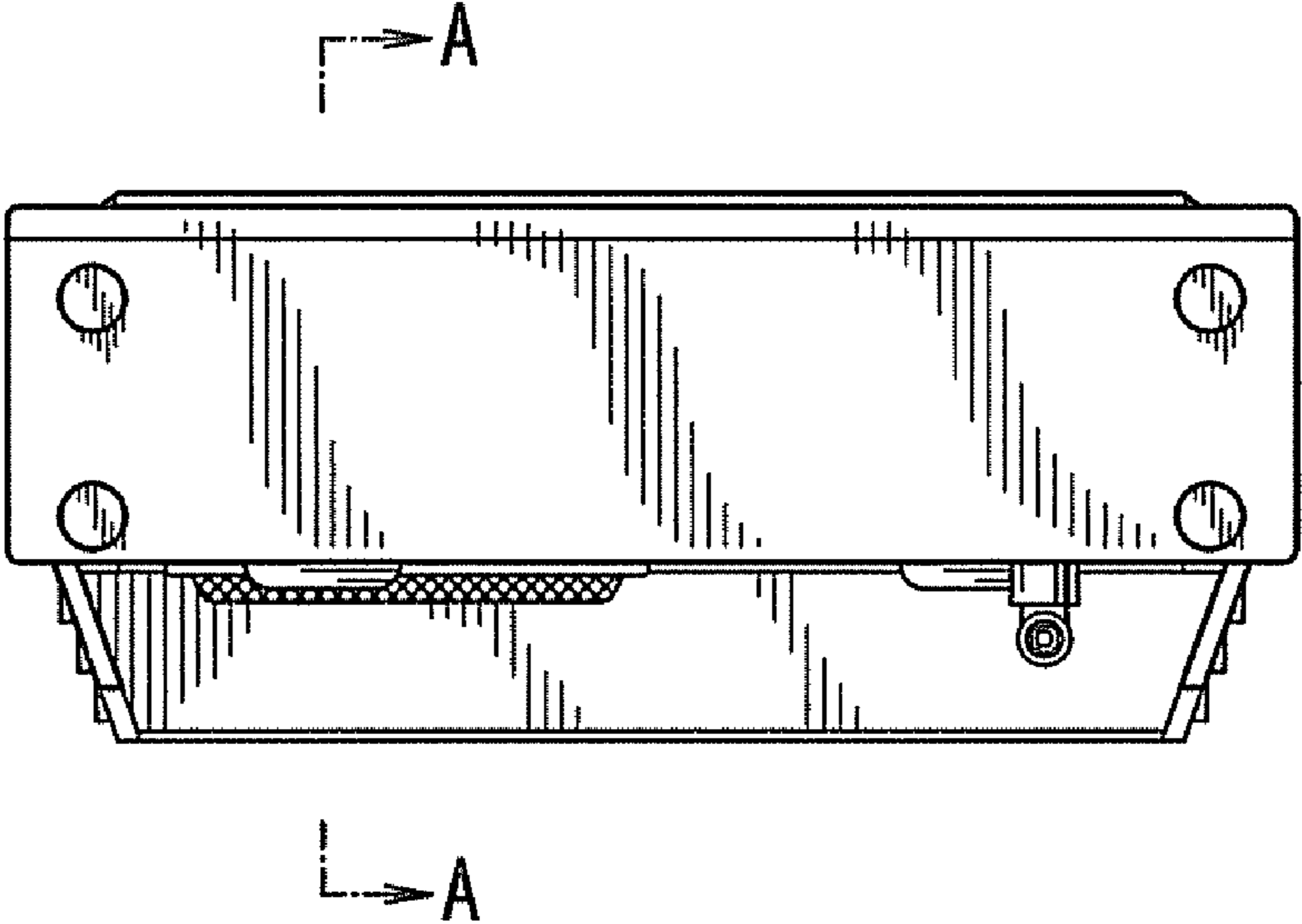


Fig. 7

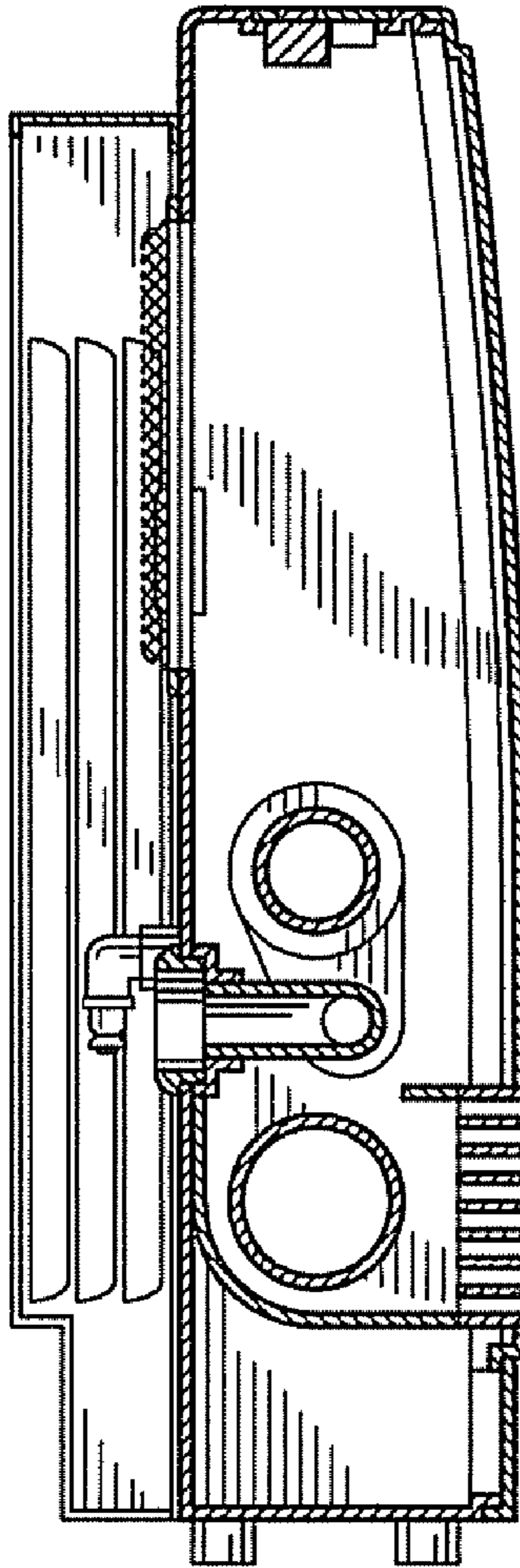


Fig. 8

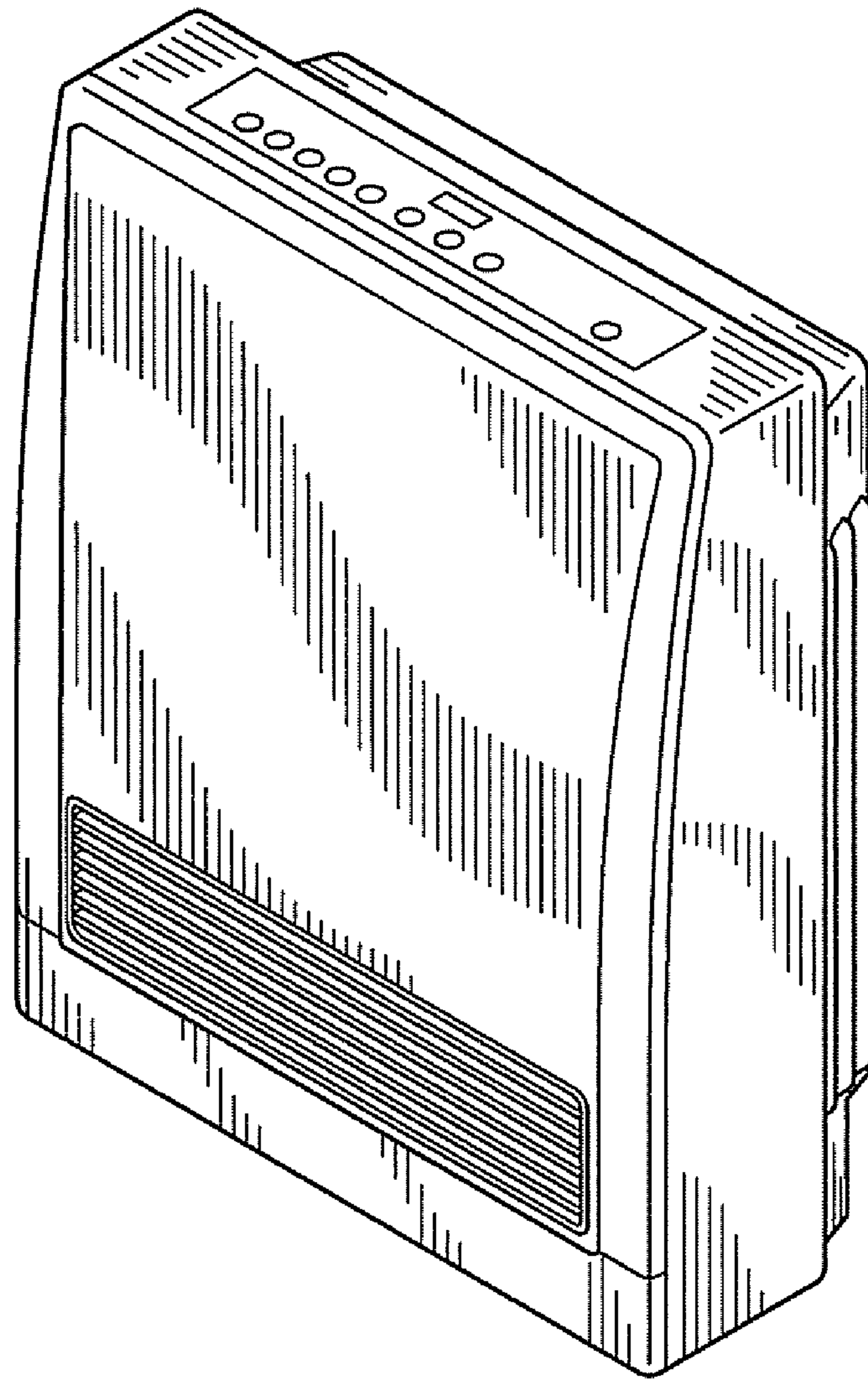


Fig. 9

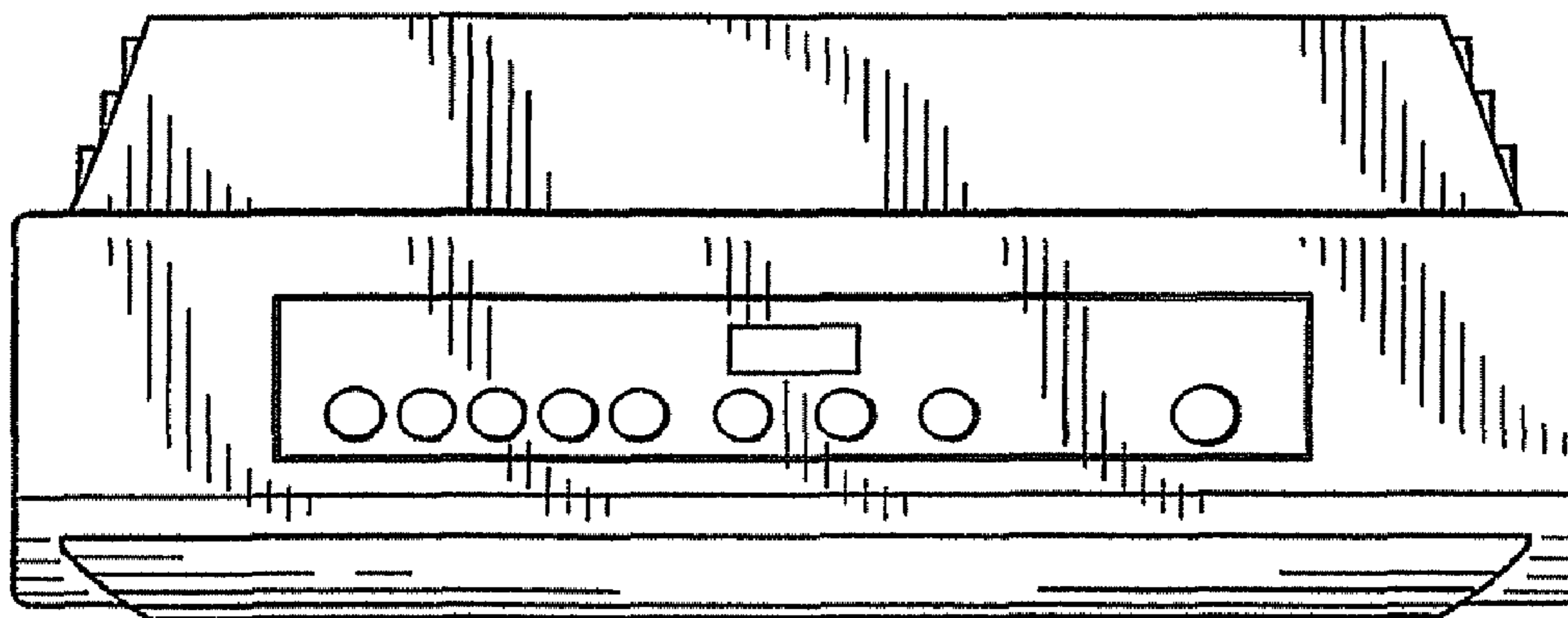


Fig. 10

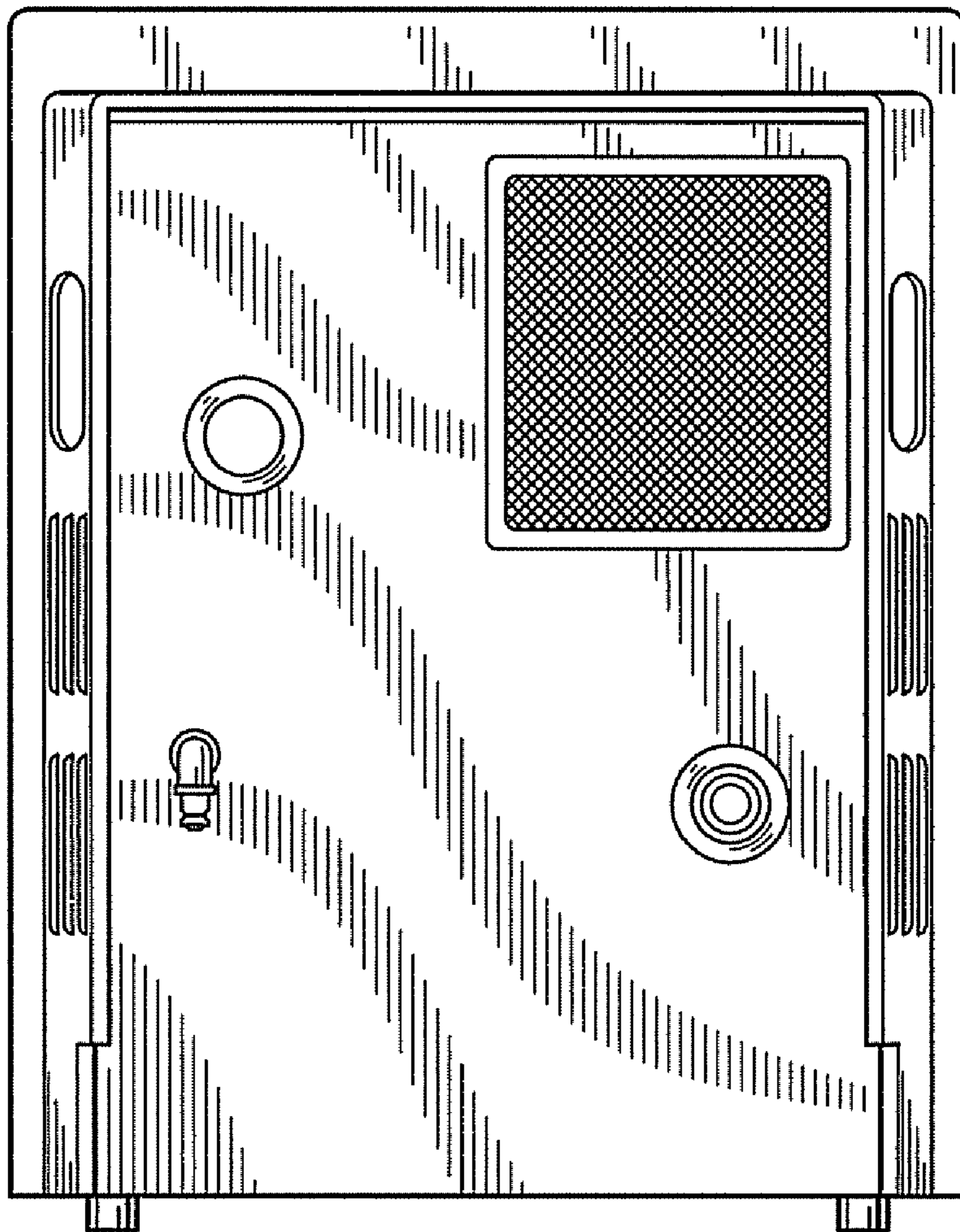


Fig. 11

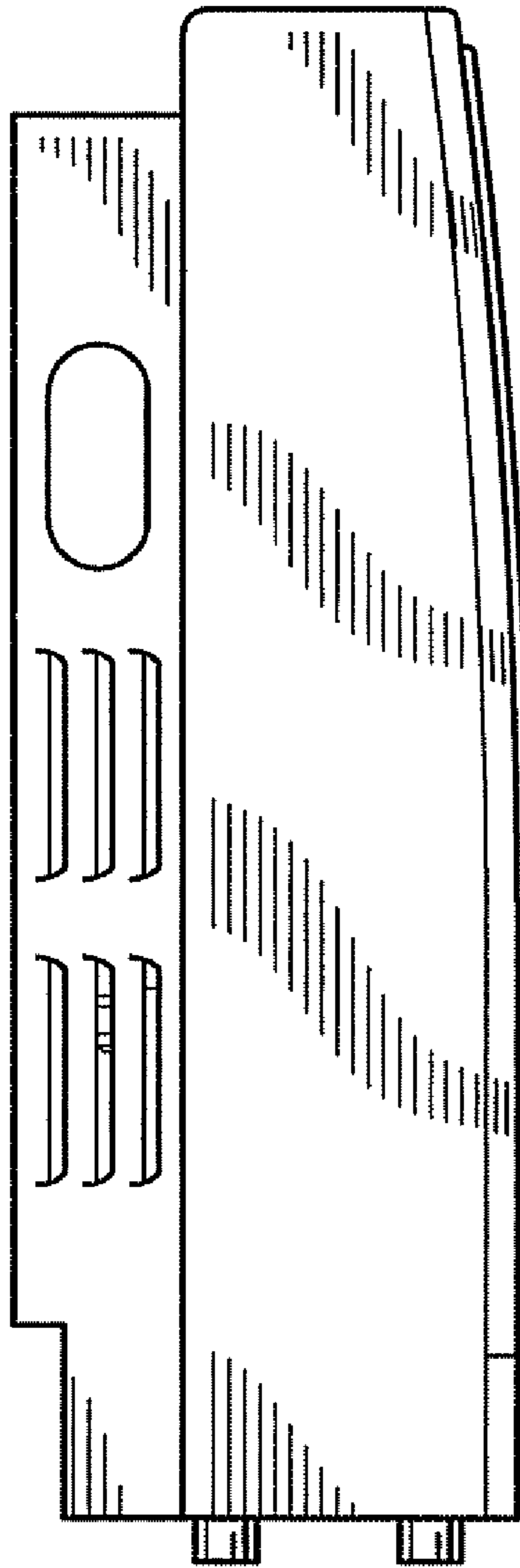


Fig. 12

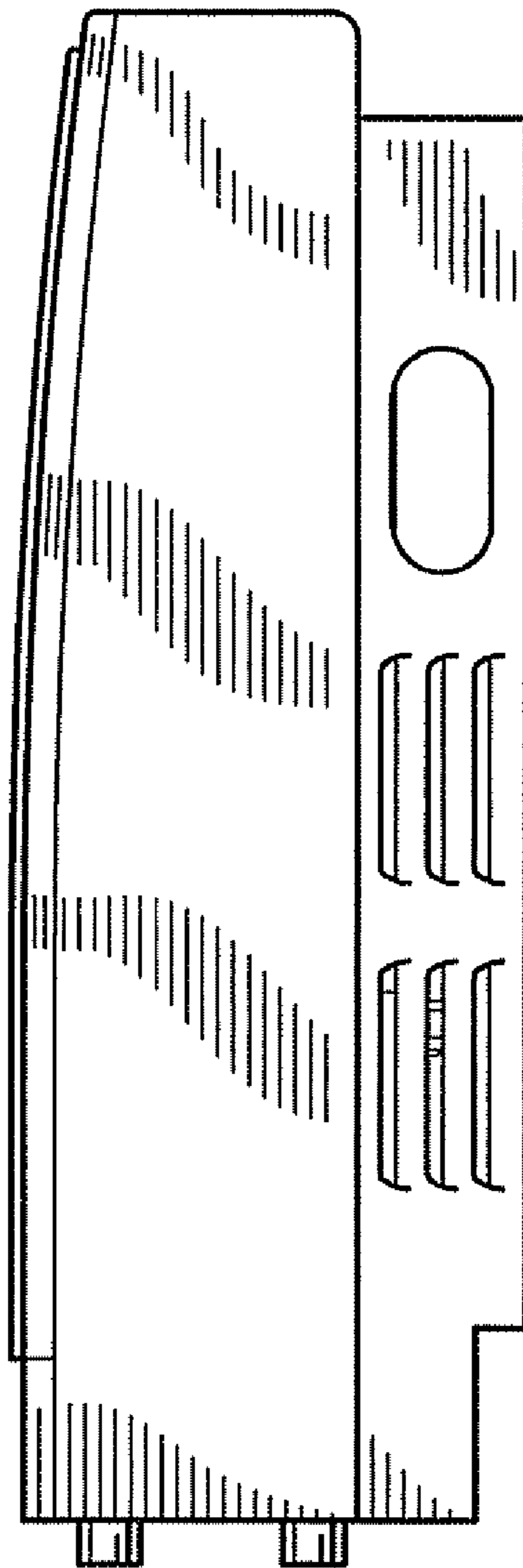


Fig. 13

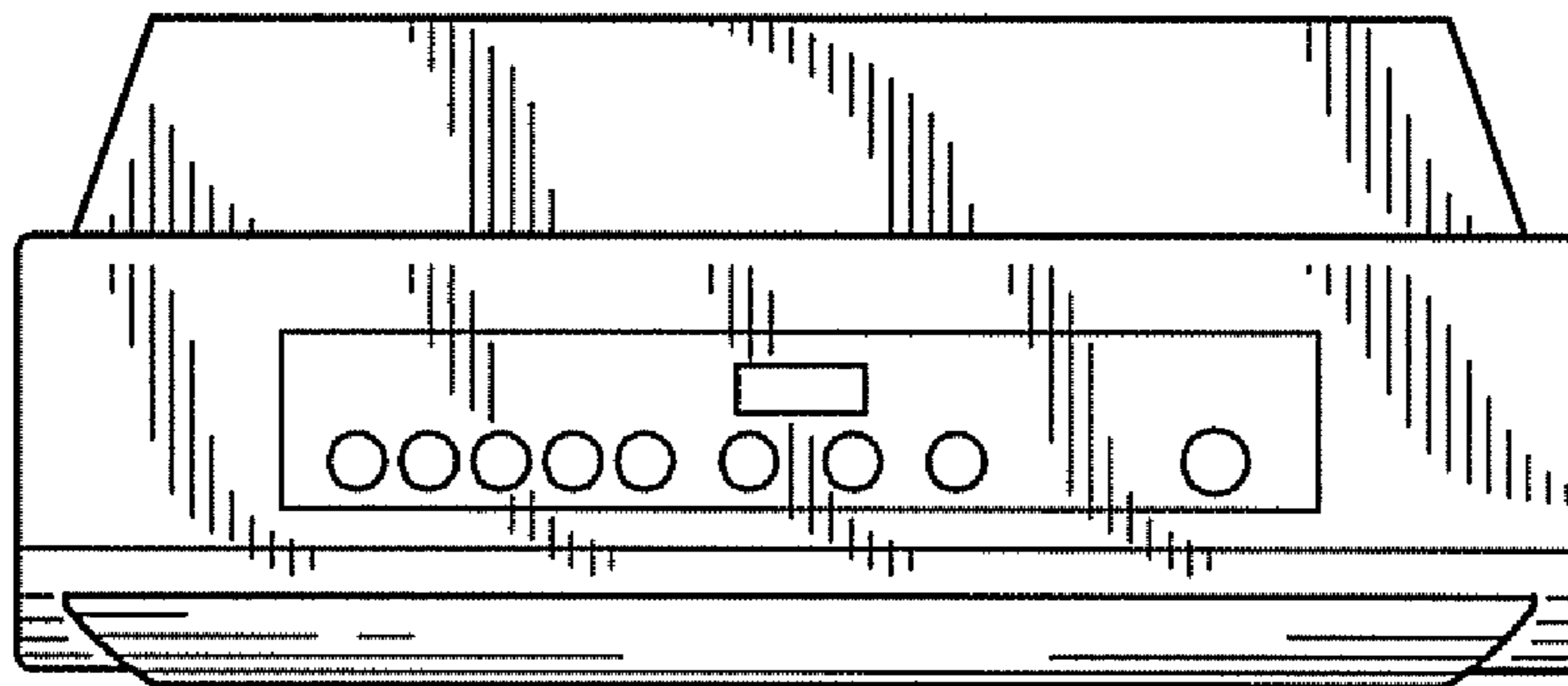


Fig. 14

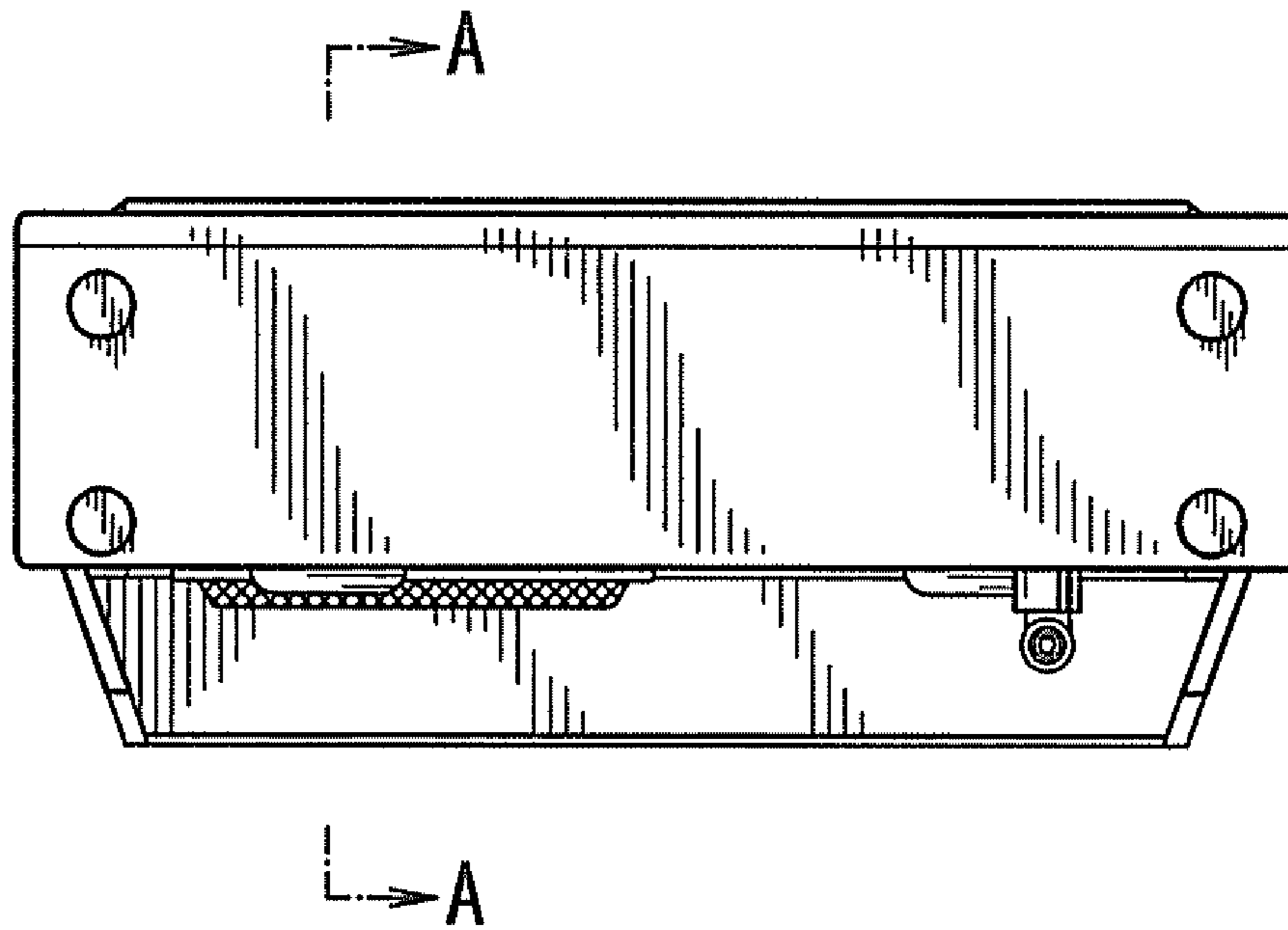


Fig. 15

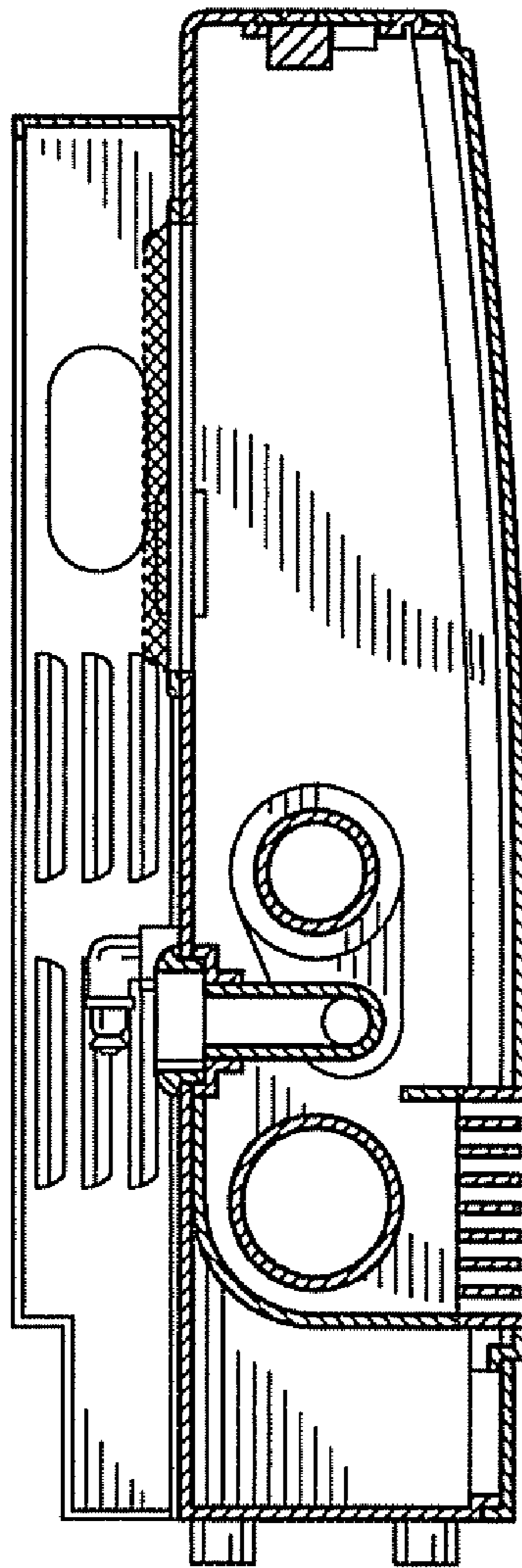


Fig. 16

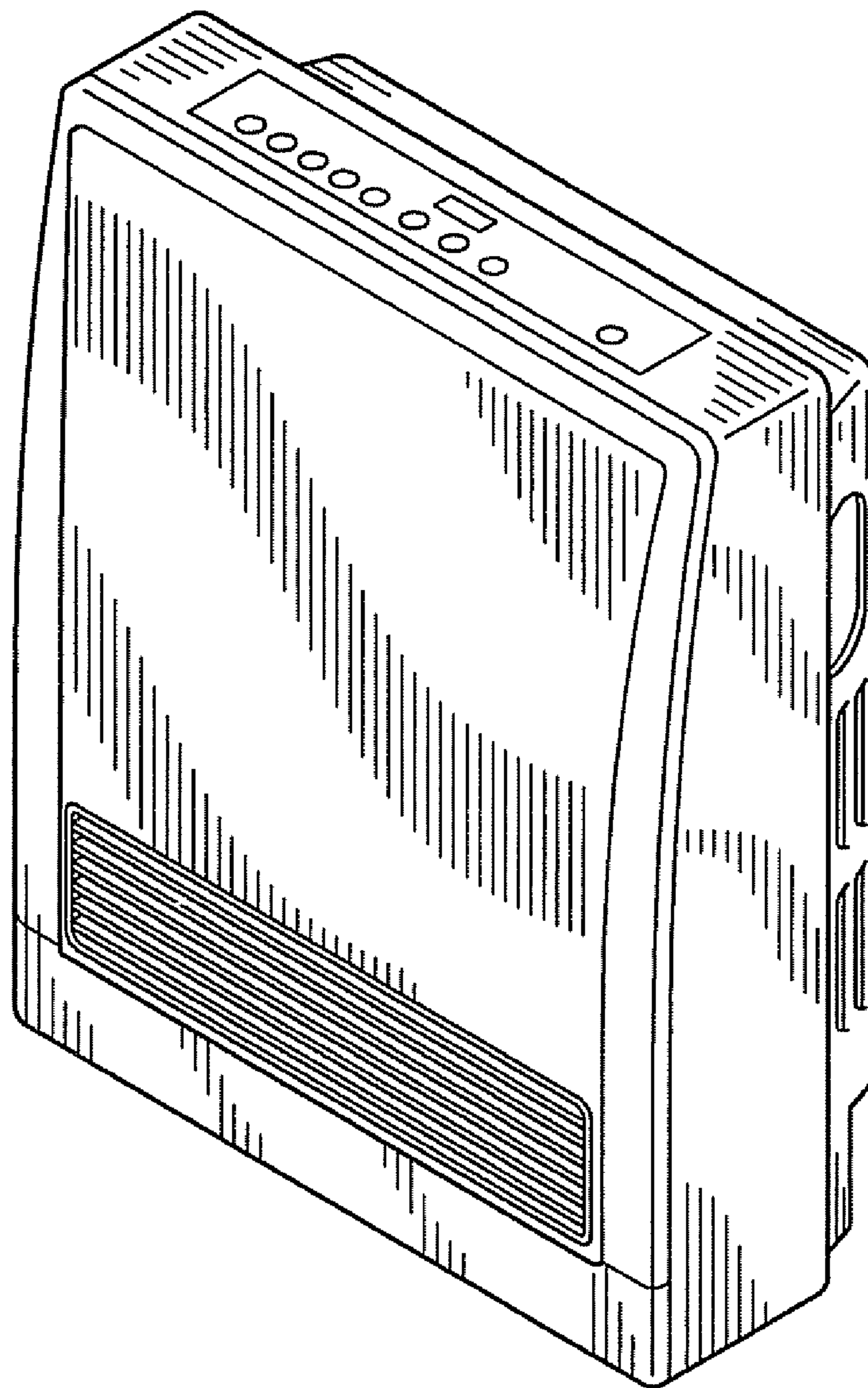


Fig. 17

