



US00D616971S

(12) **United States Design Patent**
Arets

(10) **Patent No.:** **US D616,971 S**
(45) **Date of Patent:** **** Jun. 1, 2010**

- (54) **SINK**
- (75) Inventor: **Wiel Arets**, Maastricht (NL)
- (73) Assignee: **Alessi S.p.A.**, Omega (IT)
- (**) Term: **14 Years**
- (21) Appl. No.: **29/335,794**
- (22) Filed: **Apr. 22, 2009**

- D538,901 S 3/2007 *Zho*
- D542,892 S * 5/2007 *Miyamoto* D23/292
- D560,784 S * 1/2008 *Marshall et al.* D23/293.1
- D585,118 S * 1/2009 *Ziemann et al.* D23/286

* cited by examiner

Primary Examiner—Robert A Delehanty
(74) *Attorney, Agent, or Firm*—Venable LLP; Robert Kinberg; Justine A. Gozzi

Related U.S. Application Data

- (62) Division of application No. 29/287,671, filed on Sep. 6, 2007, now Pat. No. Des. 592,291.

Foreign Application Priority Data

- (30) Mar. 6, 2007 (EM) 683651
 - (51) **LOC (9) Cl.** **23-02**
 - (52) **U.S. Cl.** **D23/286; D23/284**
 - (58) **Field of Classification Search** D23/284,
D23/287, 291–293.1, 303, 308; 4/630, 631,
4/637, 638, 661
- See application file for complete search history.

References Cited

U.S. PATENT DOCUMENTS

- D193,605 S * 9/1962 *Corp* D23/284
- D246,463 S * 11/1977 *Doman* D23/284
- D499,800 S * 12/2004 *Trepanier* D23/286

(57) **CLAIM**

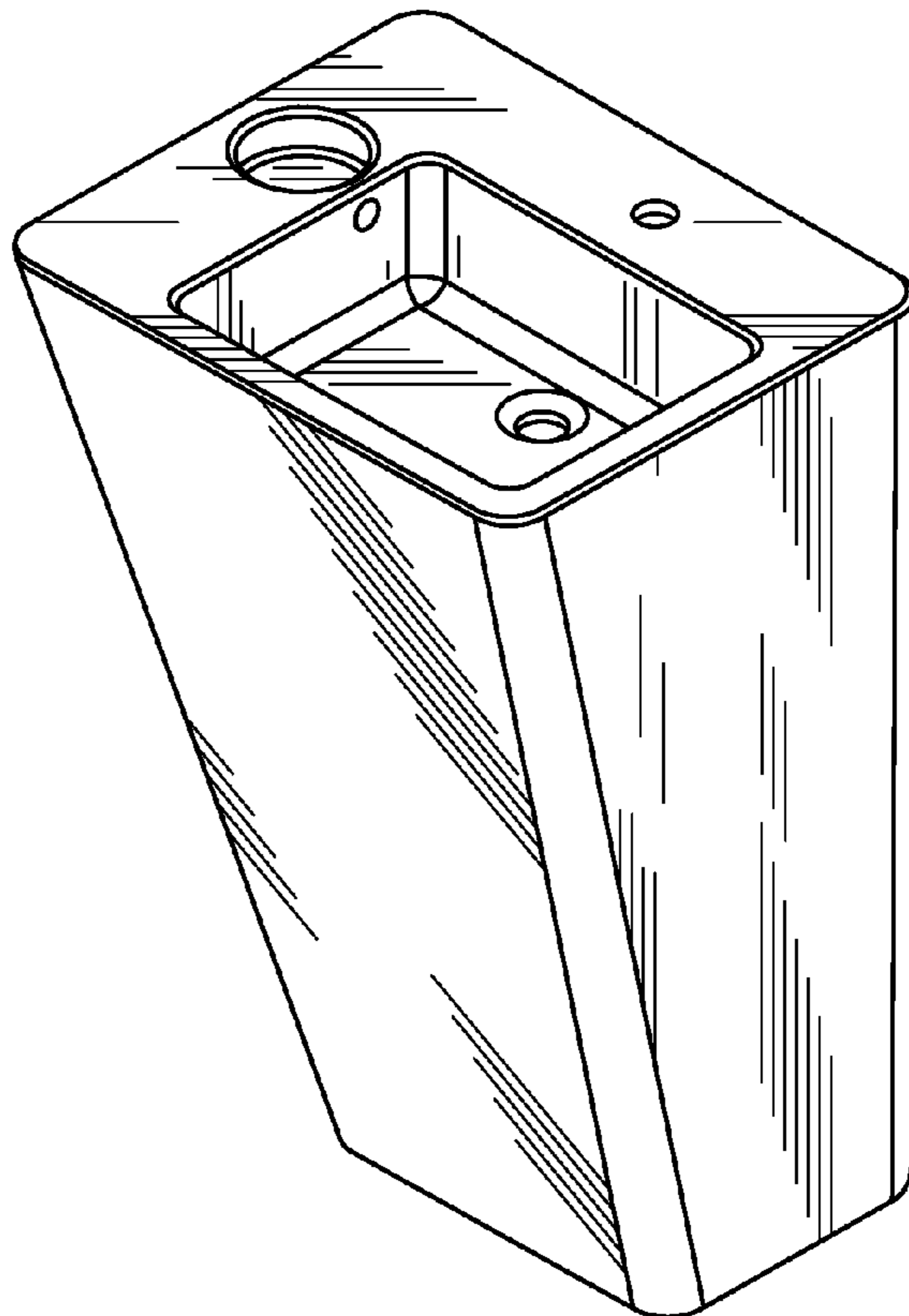
The ornamental designs for a sink, as shown and described in the accompanying drawings.

DESCRIPTION

- FIG. 1 is a top view of a design of a sink;
- FIG. 2 is a bottom view thereof;
- FIG. 3 is a front view thereof;
- FIG. 4 is a rear view thereof;
- FIG. 5 is a right side view thereof;
- FIG. 6 is a left side view thereof; and,
- FIG. 7 is a perspective view thereof.

The broken line showing of the sink is for the purpose of illustrating environmental structure and forms no part of the claimed design. The broken line(s) which define the bounds of the claimed design form no part thereof.

1 Claim, 6 Drawing Sheets



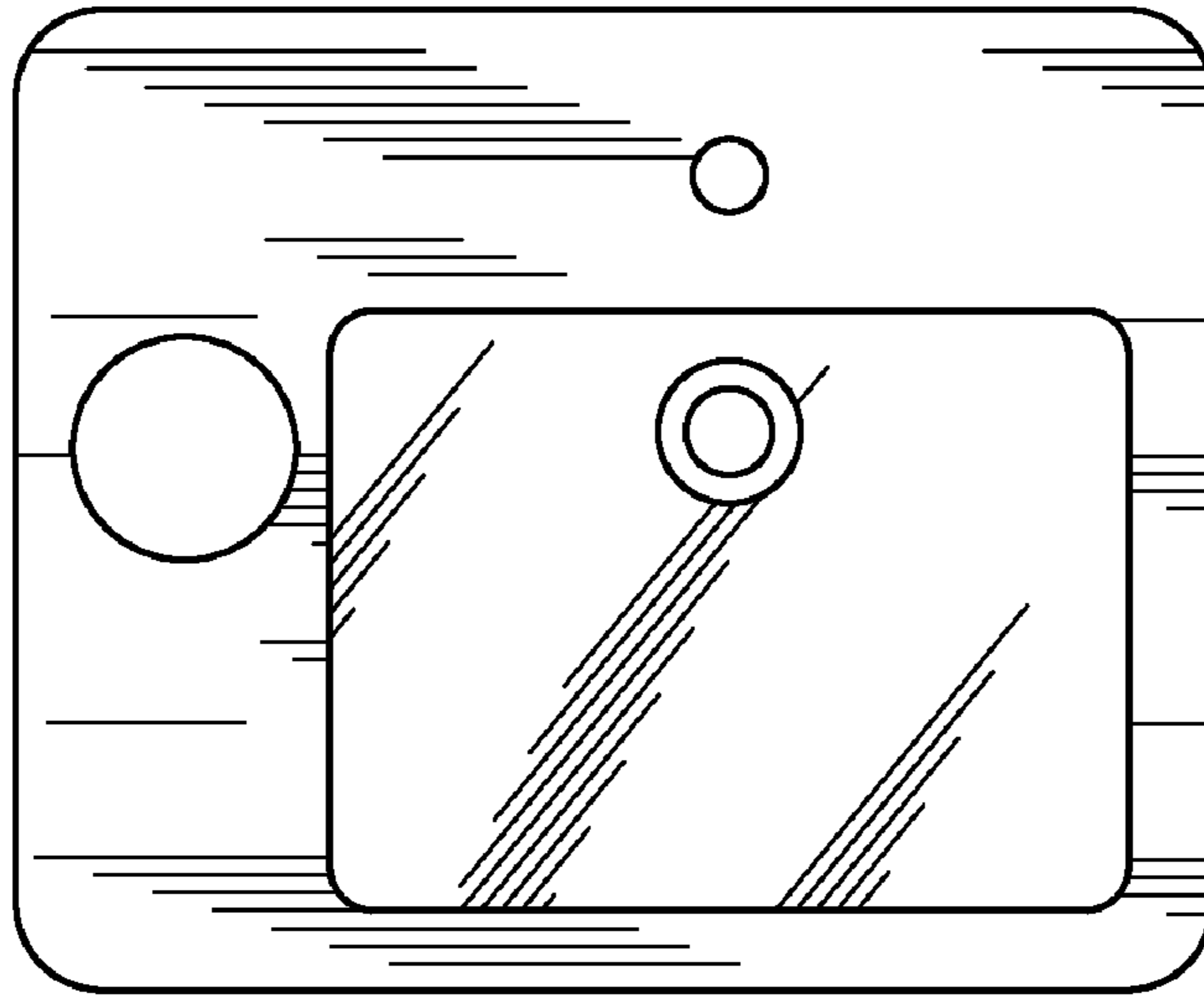


FIG. 1

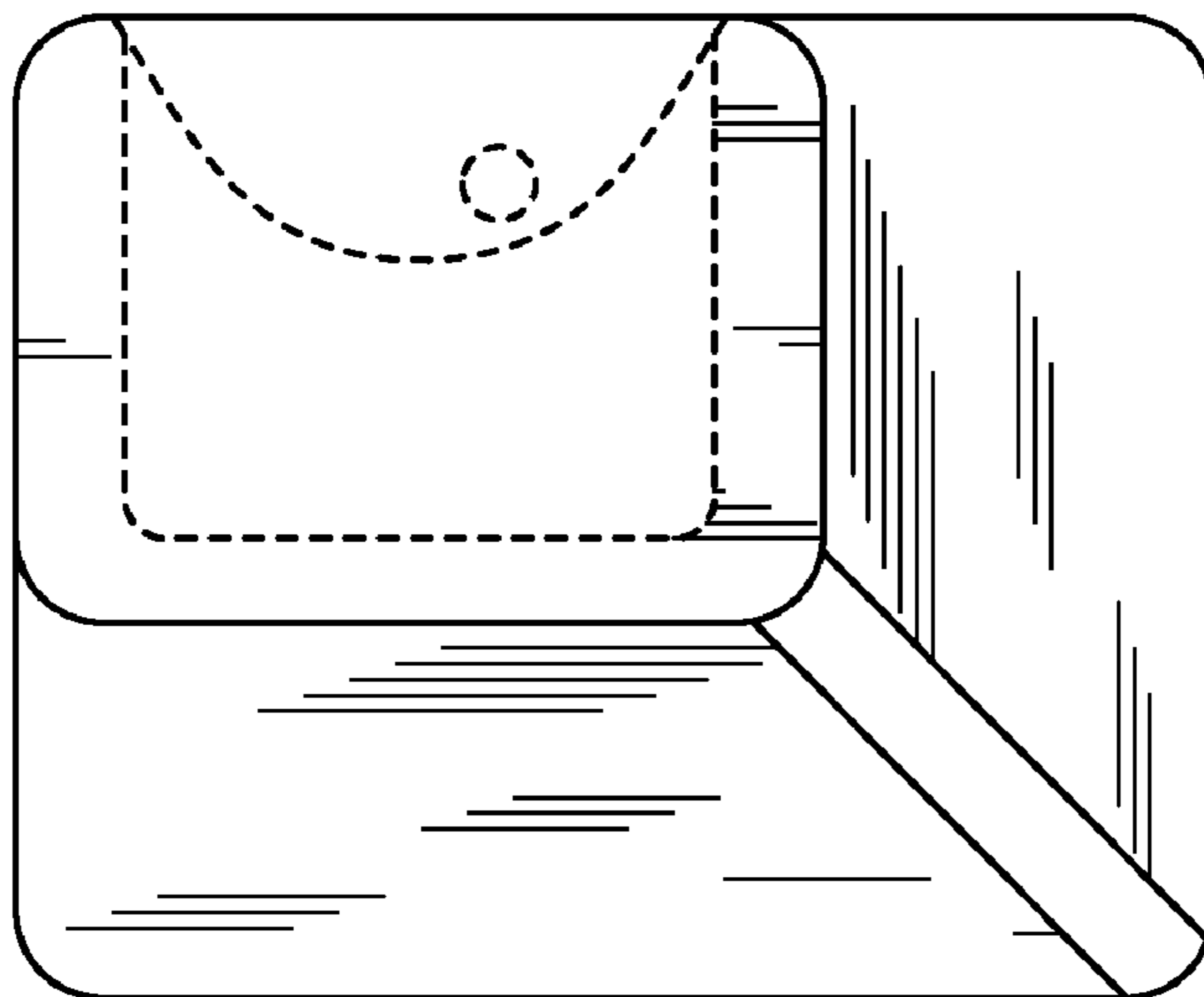


FIG. 2

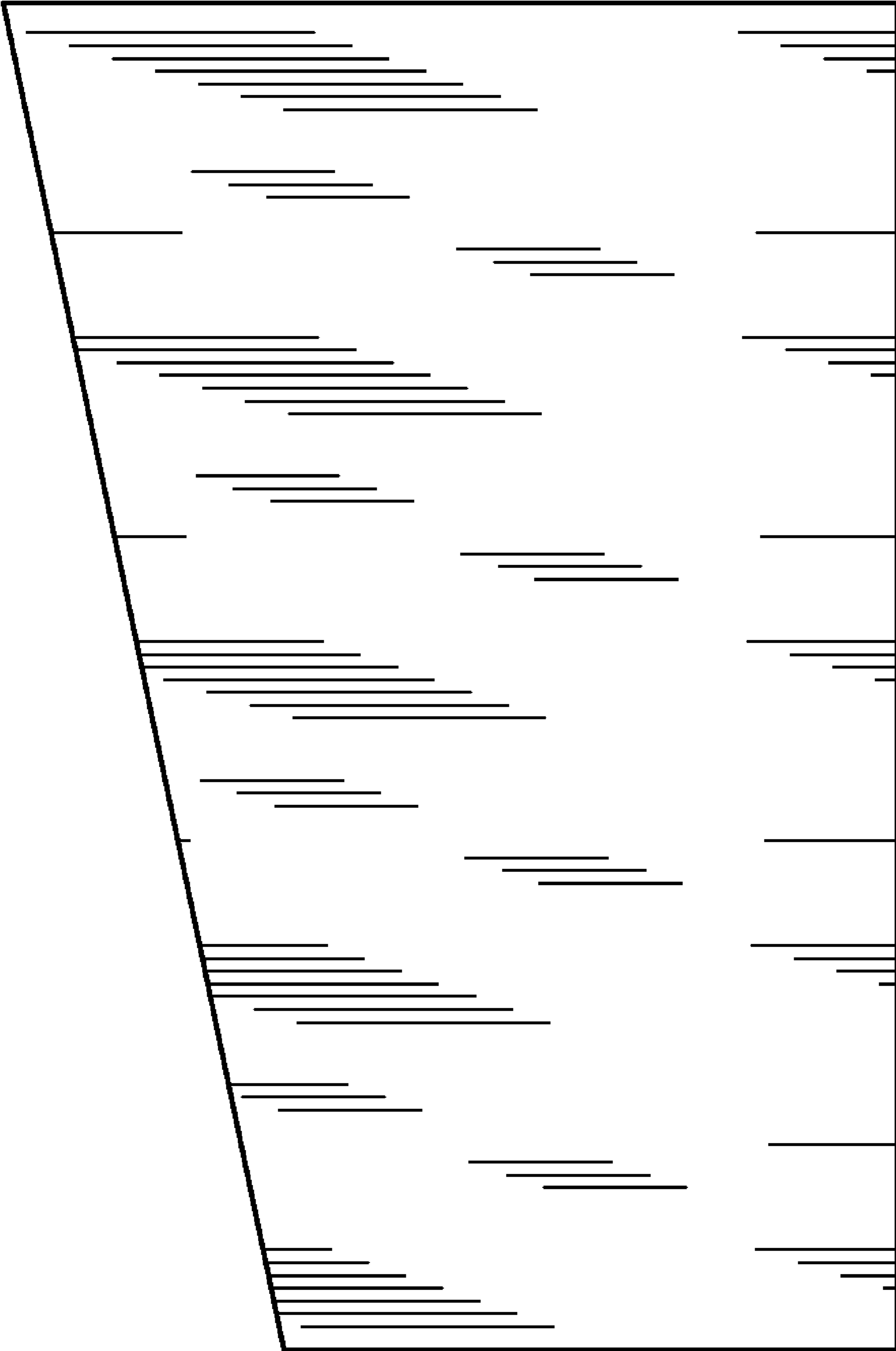


FIG. 3

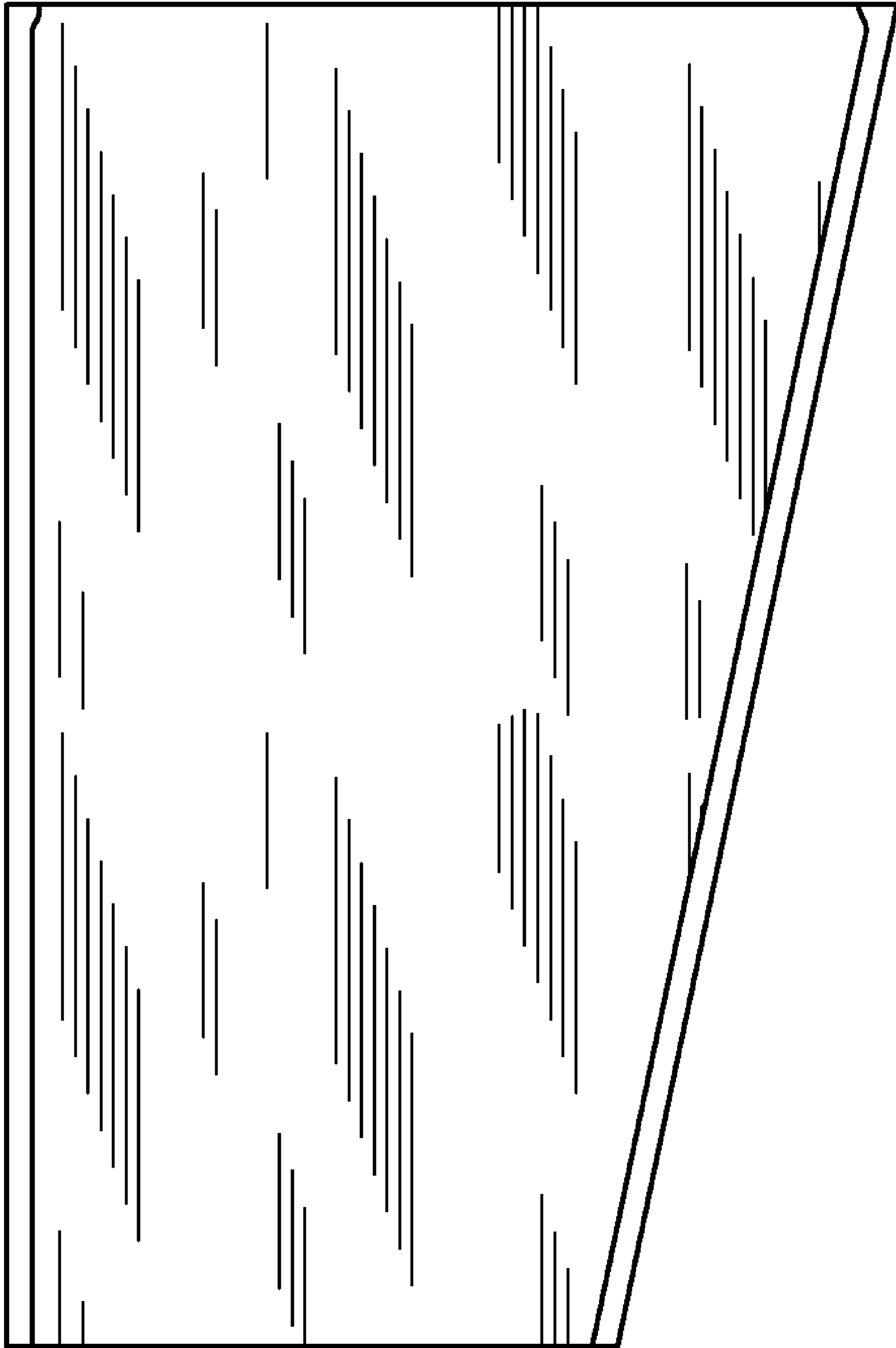


FIG. 4

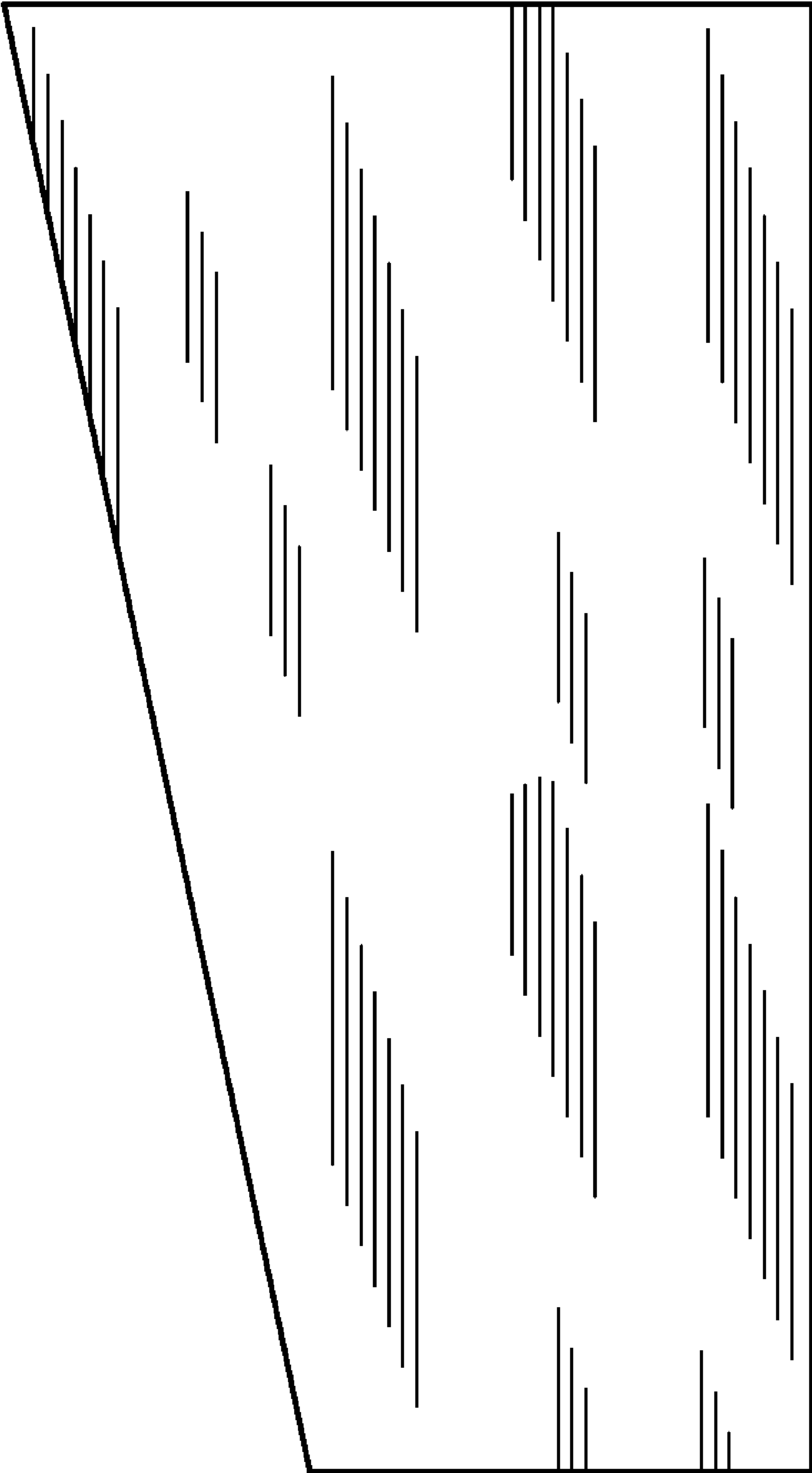


FIG. 5

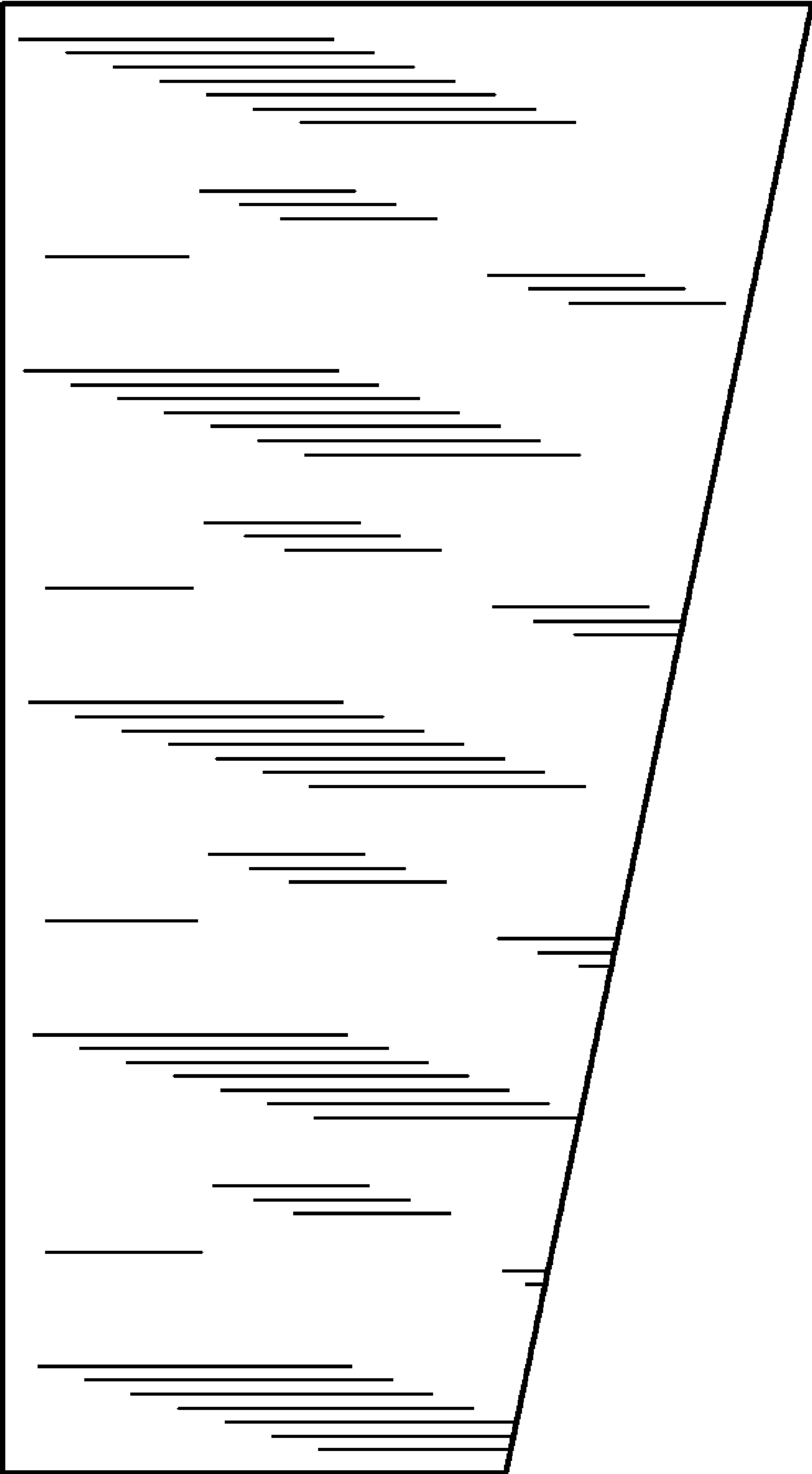


FIG. 6

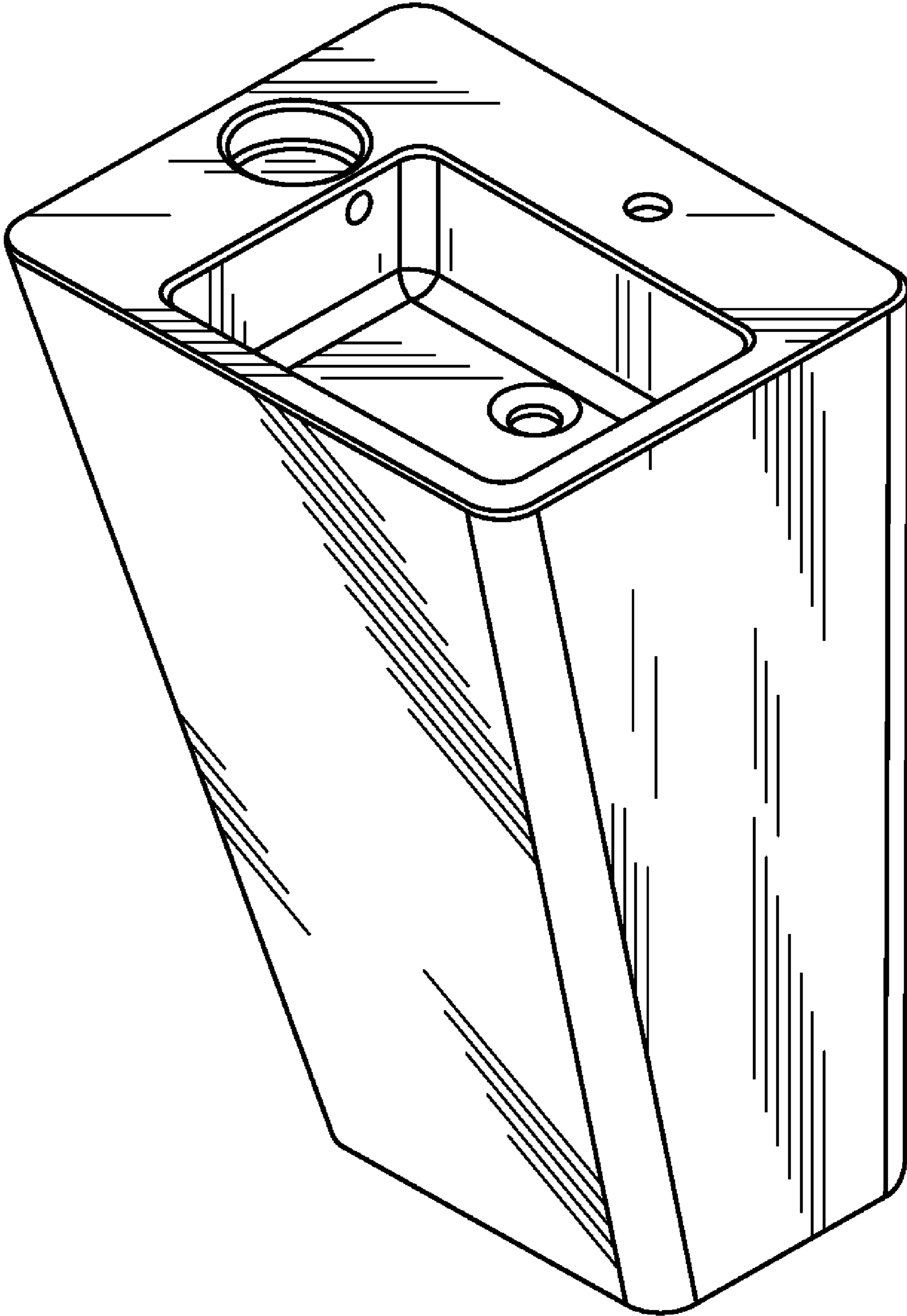


FIG. 7