



US00D616966S

(12) **United States Design Patent**  
**Angell**

(10) **Patent No.:** **US D616,966 S**

(45) **Date of Patent:** **\*\* Jun. 1, 2010**

(54) **OUTER FOLLOWER ELEMENT FOR A HIGH PRESSURE SEAL**

(75) Inventor: **Trevor Angell**, Wichita, KS (US)

(73) Assignee: **KMT Waterjet Systems Inc.**, Baxter Springs, KS (US)

(\*\*) Term: **14 Years**

(21) Appl. No.: **29/332,233**

(22) Filed: **Feb. 11, 2009**

(51) **LOC (9) Cl.** ..... **23-01**

(52) **U.S. Cl.** ..... **D23/262**

(58) **Field of Classification Search** ..... D23/259–269;  
285/95, 231–232; 277/910

See application file for complete search history.

(56) **References Cited**

**U.S. PATENT DOCUMENTS**

1,798,246	A *	3/1931	Braner	.....	277/598
2,052,046	A *	8/1936	Lambie	.....	285/5
2,124,095	A *	7/1938	Wheeler	.....	156/194
2,220,984	A *	11/1940	Wiessner	.....	277/380
2,240,780	A *	5/1941	Hunter	.....	92/242
2,438,457	A *	3/1948	Schlosser	.....	277/393
4,173,881	A *	11/1979	Rose	.....	72/245
D292,308	S *	10/1987	Beltran	.....	D23/269
5,020,809	A *	6/1991	Mullaney	.....	277/370
D346,433	S *	4/1994	Cooper	.....	D23/259
5,344,164	A *	9/1994	Carmody et al.	.....	277/371
D364,431	S *	11/1995	Diecidue et al.	.....	D21/444
D367,316	S *	2/1996	Sonden et al.	.....	D23/262
D372,765	S *	8/1996	Sisk	.....	D23/269
D385,017	S *	10/1997	Daroff	.....	D23/261
D435,090	S *	12/2000	Stout, Jr.	.....	D23/269
D447,223	S *	8/2001	Mattsson et al.	.....	D23/269
6,290,240	B1 *	9/2001	Knapp	.....	277/651

D449,873	S *	10/2001	Bronson	.....	D23/261
D513,072	S *	12/2005	Berg	.....	D23/386
D515,675	S *	2/2006	Tremoulet et al.	.....	D23/269
D539,117	S *	3/2007	Sealey et al.	.....	D8/349
D561,877	S *	2/2008	Hopkins et al.	.....	D23/263
D595,835	S *	7/2009	Fu	.....	D23/411
2006/0082072	A1 *	4/2006	Henry	.....	277/602
2008/0267709	A1 *	10/2008	Terry	.....	405/43

\* cited by examiner

*Primary Examiner*—T. Chase Nelson

*Assistant Examiner*—Eric L Goodman

(74) *Attorney, Agent, or Firm*—Michael Best & Friedrich LLP

(57) **CLAIM**

I claim the ornamental design for an outer follower element for a high pressure seal, as shown and described.

**DESCRIPTION**

FIG. 1 is a perspective view of an outer follower element for a high pressure seal embodying the invention;

FIG. 2 is a top view of the outer follower element for a high pressure seal of FIG. 1;

FIG. 3 is a bottom view of the outer follower element for a high pressure seal of FIG. 1;

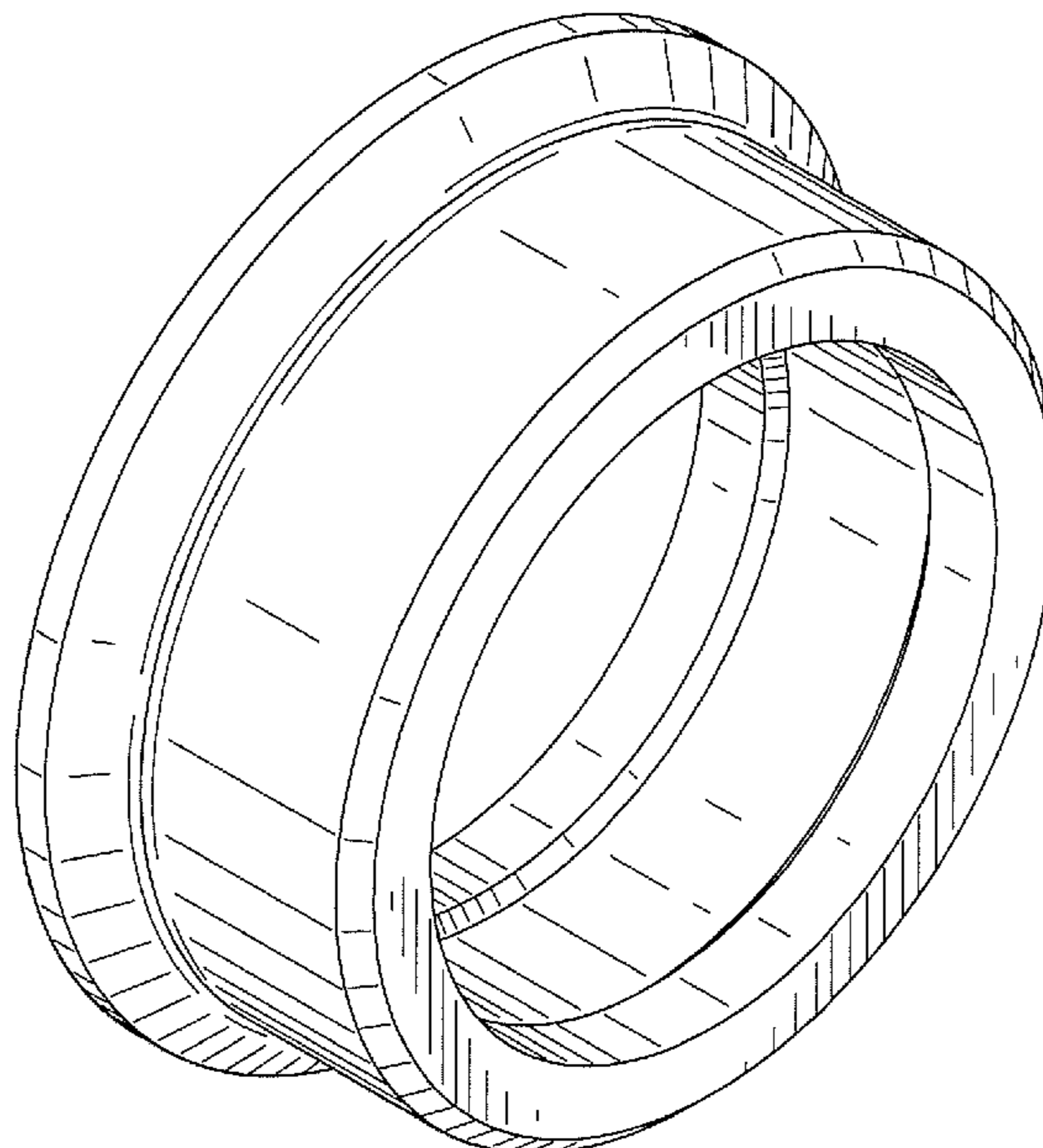
FIG. 4 is a left side view of the outer follower element for a high pressure seal of FIG. 1;

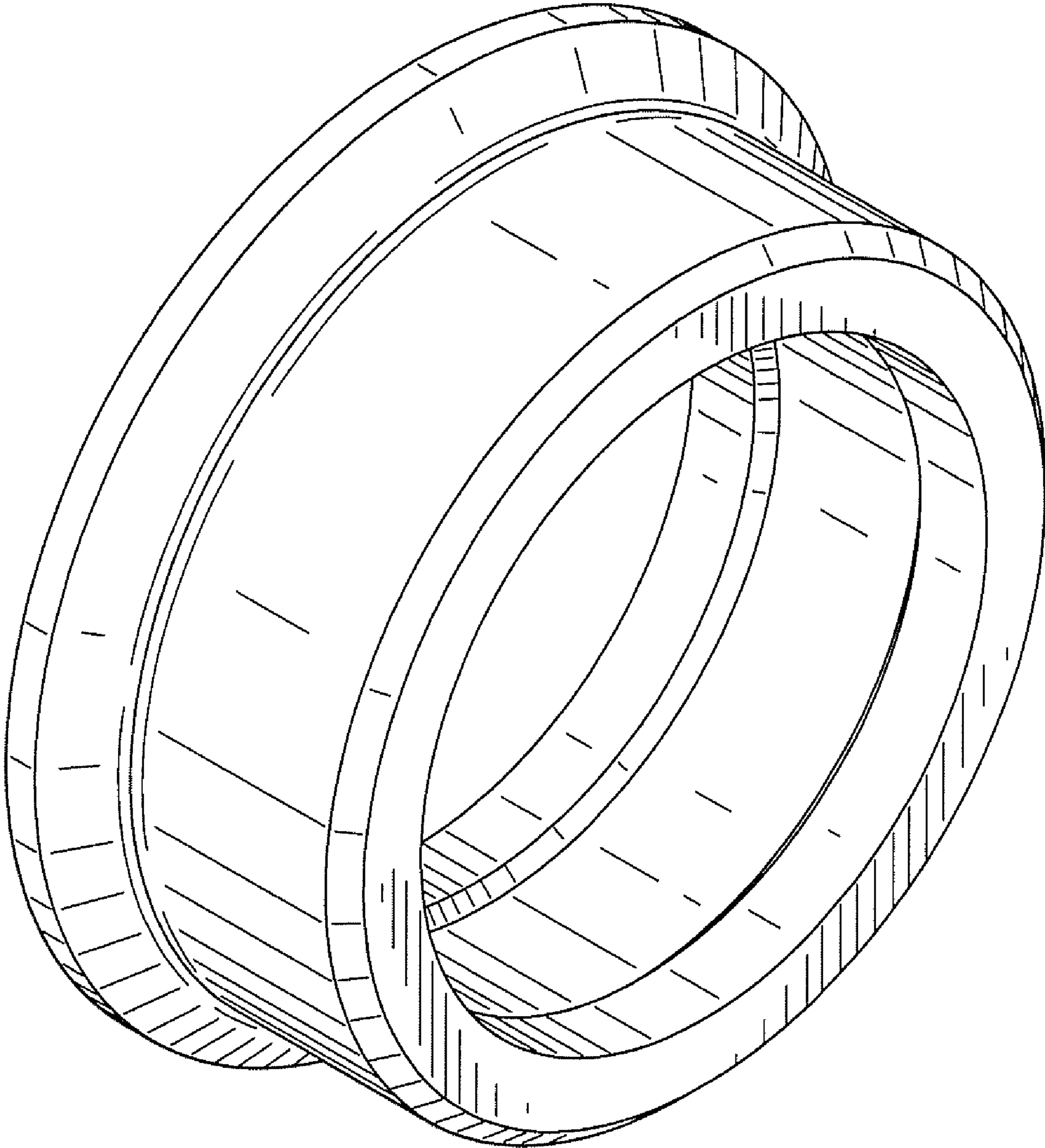
FIG. 5 is a right side view of the outer follower element for a high pressure seal of FIG. 1;

FIG. 6 is a rear view of the outer follower element for a high pressure seal of FIG. 1; and,

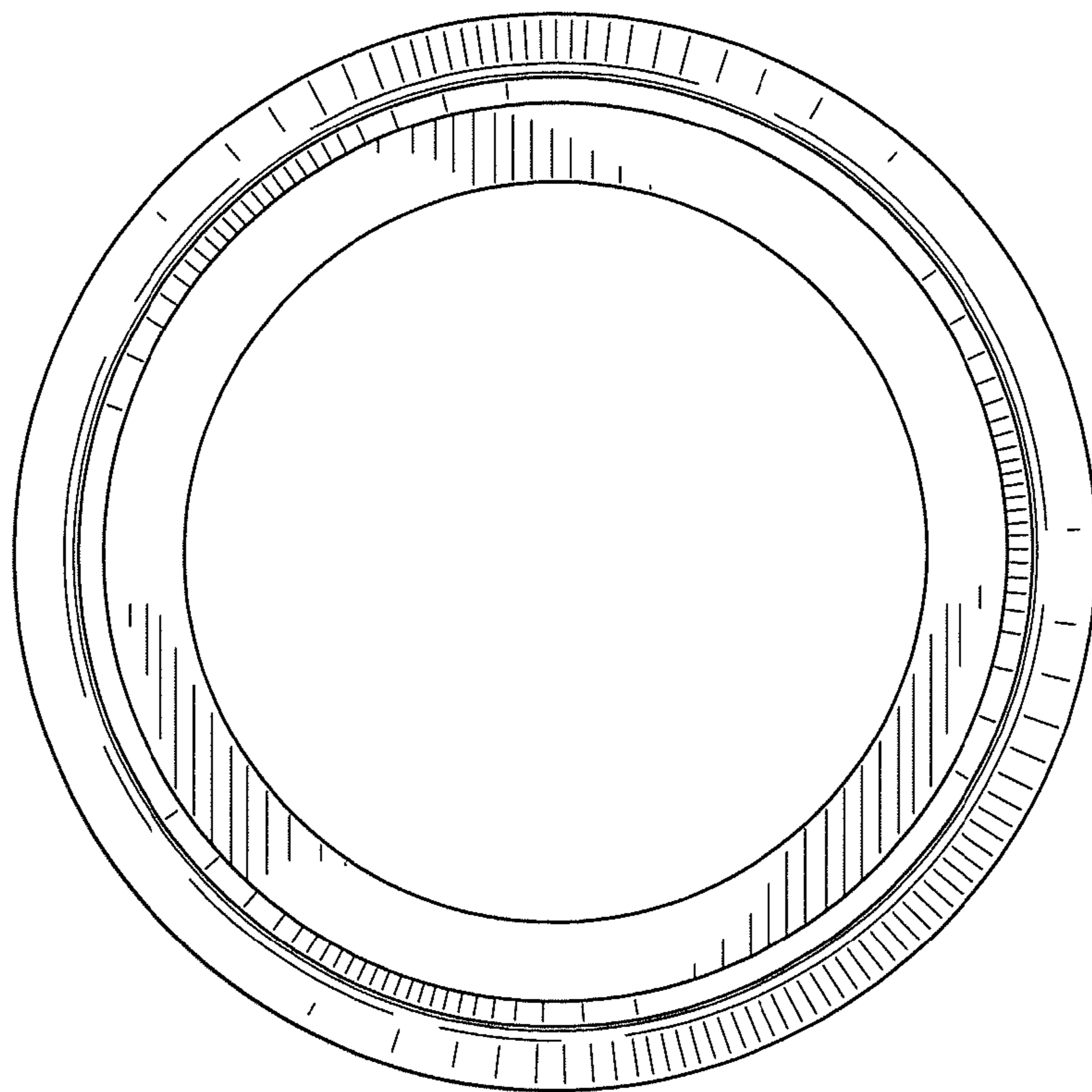
FIG. 7 is a front view of the outer follower element for a high pressure seal of FIG. 1.

**1 Claim, 3 Drawing Sheets**

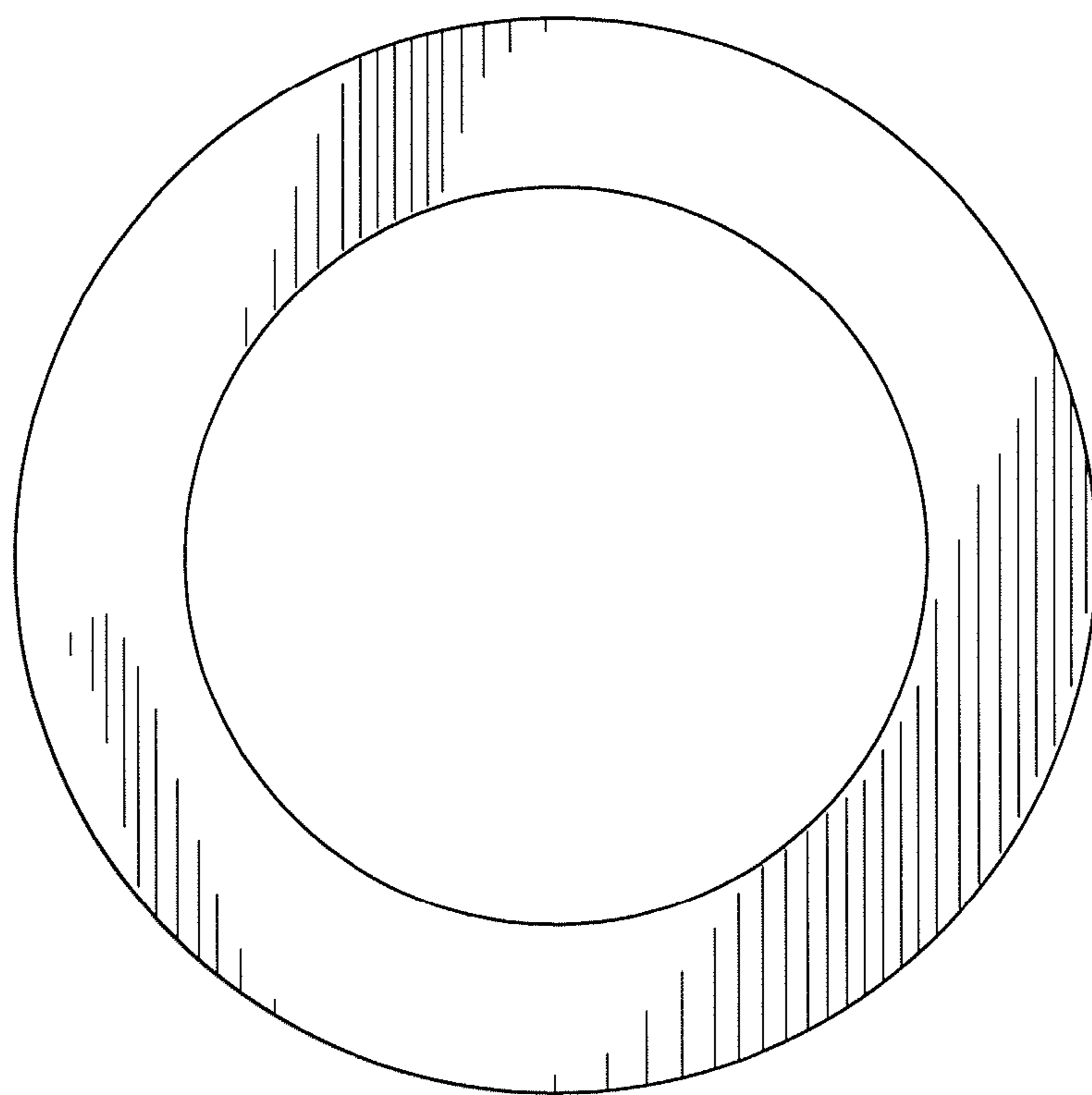




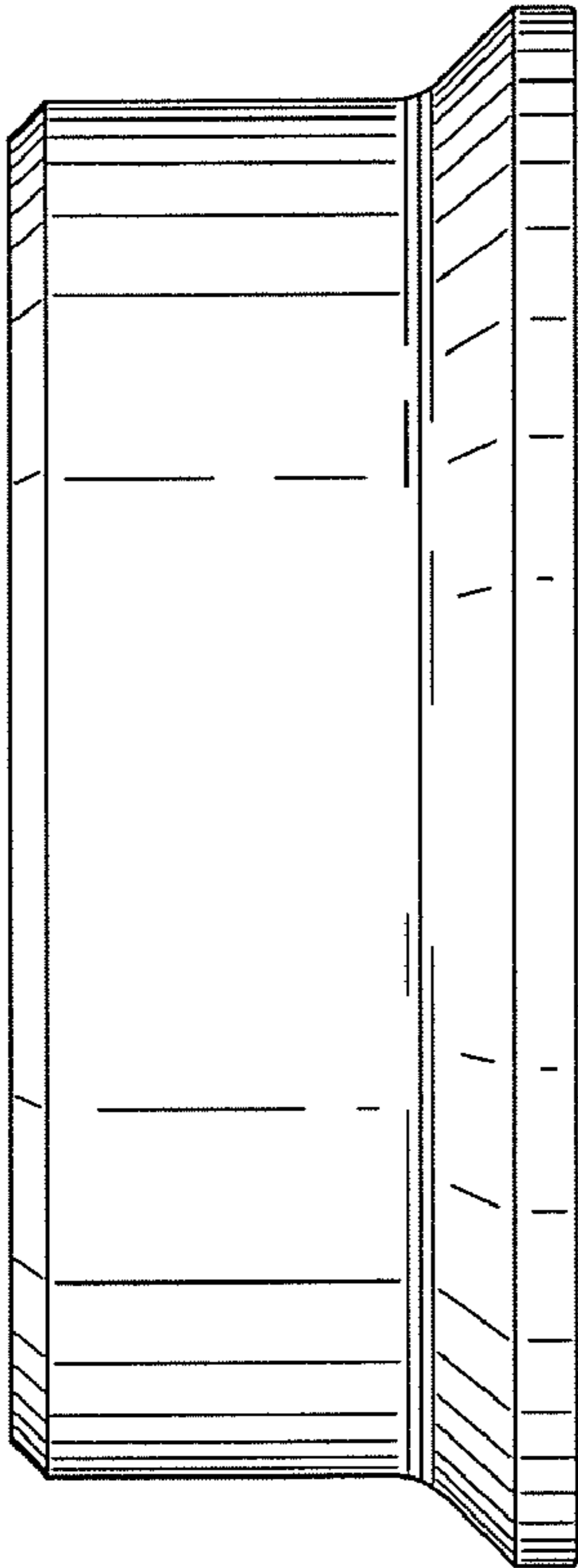
**FIG. 1**



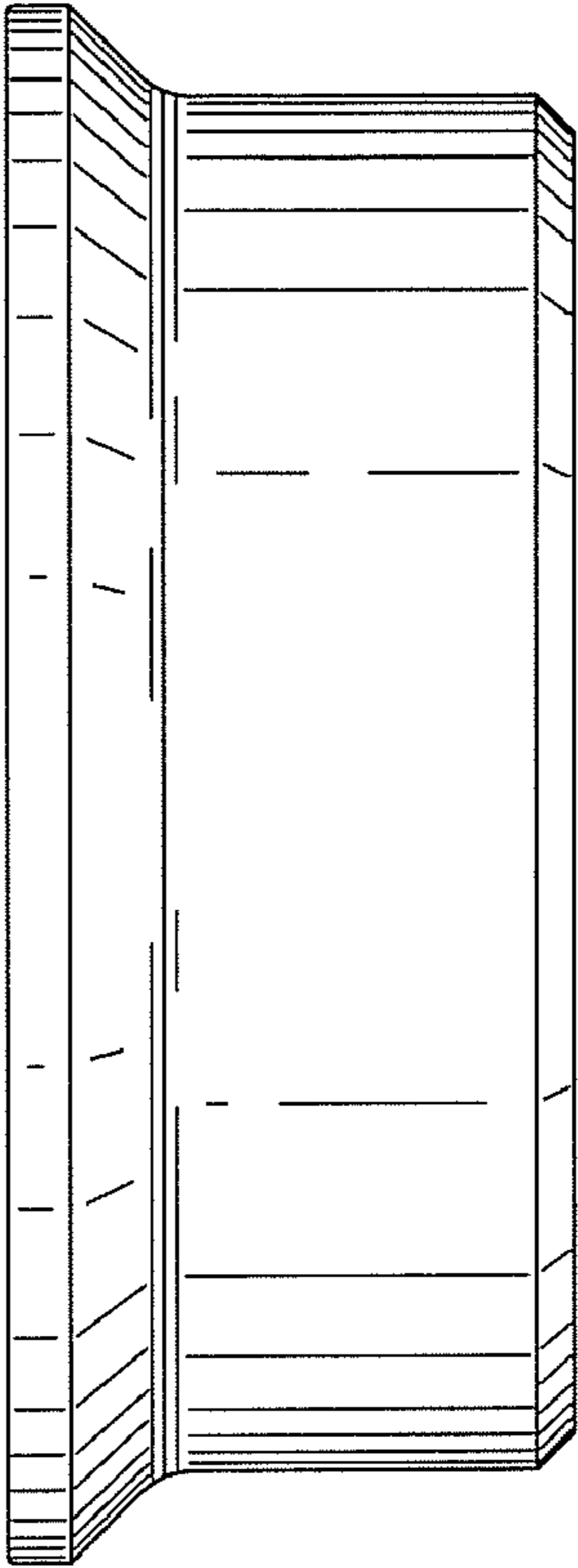
**FIG. 2**



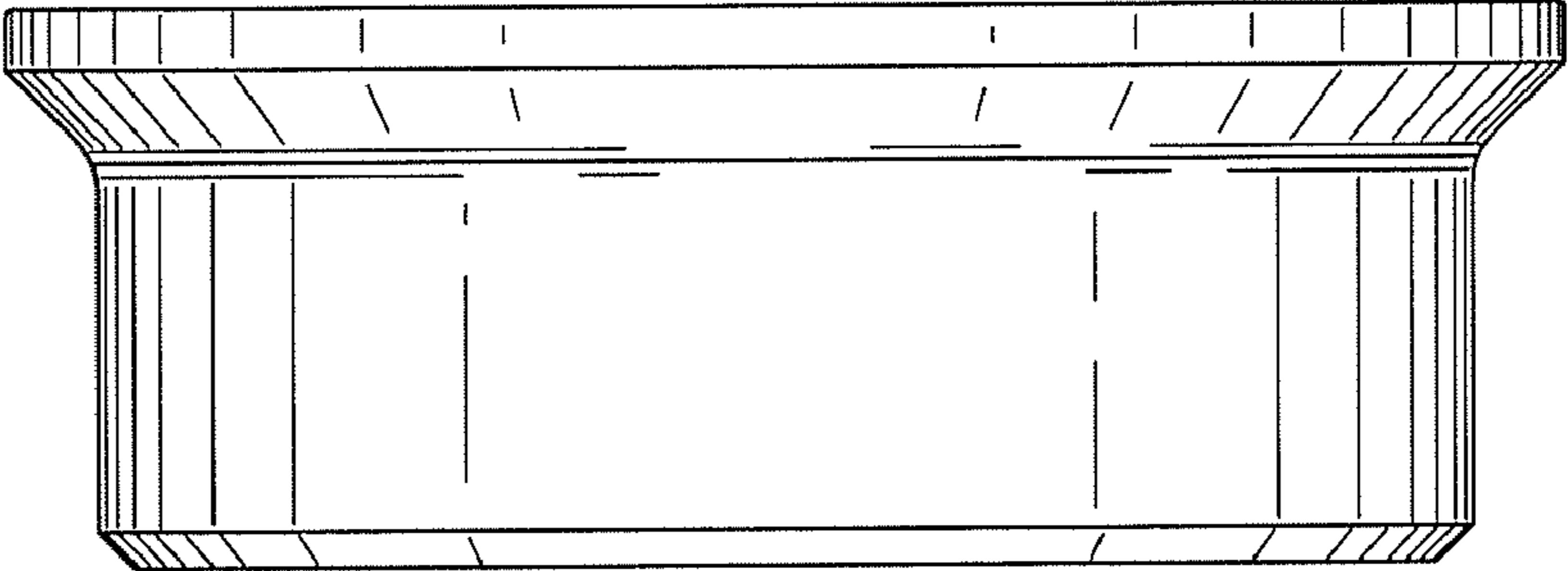
**FIG. 3**



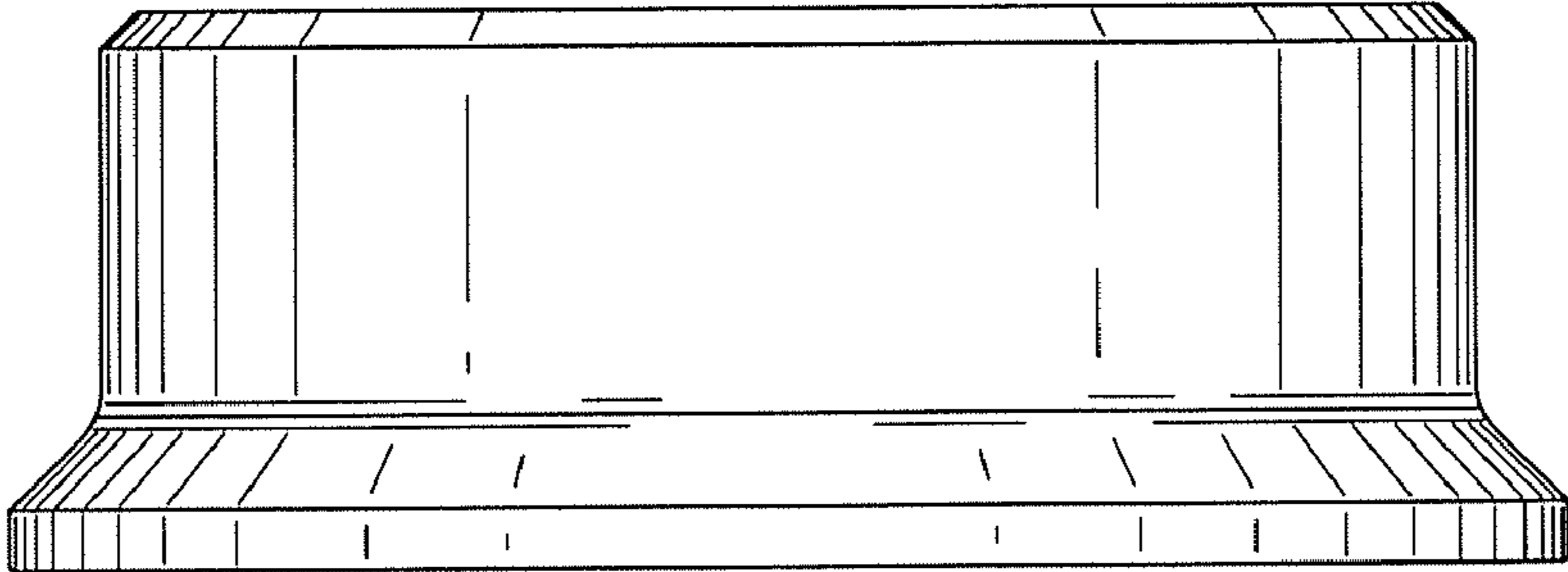
**FIG. 4**



**FIG. 5**



**FIG. 6**



**FIG. 7**