



US00D616965S

(12) **United States Design Patent**  
**Miyazoe et al.**

(10) **Patent No.:** **US D616,965 S**  
(45) **Date of Patent:** **\*\* Jun. 1, 2010**

(54) **MANIFOLD BASE FOR ELECTROMAGNETIC VALVE**

(76) Inventors: **Shinji Miyazoe**, c/o SMC Corporation  
Tsukuba Technical Center, 4-2-2,  
Kinunodai, Tsukubamirai-Shi (JP)  
300-2493; **Koichi Mochizuki**, c/o SMC  
Corporation Tsukuba Technical Center,  
4-2-2, Kinunodai, Tsukubamirai-Shi (JP)  
300-2493

(\*\*) Term: **14 Years**

(21) Appl. No.: **29/351,014**

(22) Filed: **Nov. 26, 2009**

(30) **Foreign Application Priority Data**

Jun. 11, 2009 (JP) ..... 2009-013284

(51) **LOC (9) Cl.** ..... **23-01**

(52) **U.S. Cl.** ..... **D23/233**

(58) **Field of Classification Search** ..... D23/233-237,  
D23/244-249; D15/1, 5, 199; 251/596.13,  
251/596.16, 15, 130, 219, 331, 129.04; 137/554,  
137/557, 560, 861, 882, 884, 269, 270, 271,  
137/343, 625.64

See application file for complete search history.

(56) **References Cited**

**U.S. PATENT DOCUMENTS**

6,142,182 A \* 11/2000 Akimoto ..... 137/625.64  
D532,865 S \* 11/2006 Miyazoe et al. .... D23/233  
D533,255 S \* 12/2006 Miyazoe et al. .... D23/233  
D533,628 S \* 12/2006 Miyazoe et al. .... D23/233  
D594,929 S \* 6/2009 Takakuwa et al. .... D23/233

D594,933 S \* 6/2009 Miyazoe ..... D23/233  
D599,889 S \* 9/2009 Oshima et al. .... D23/233  
D599,890 S \* 9/2009 Yoshimura ..... D23/233  
D600,783 S \* 9/2009 Narita ..... D23/233  
D607,973 S \* 1/2010 Schmidt ..... D23/233  
D608,416 S \* 1/2010 Schmidt ..... D23/233  
D609,779 S \* 2/2010 Miyazoe ..... D23/233

\* cited by examiner

*Primary Examiner*—Cathron C. Brooks

*Assistant Examiner*—Maurice Stevens

(57) **CLAIM**

The ornamental design for a manifold base for electromagnetic valve, as shown and described.

**DESCRIPTION**

FIG. 1 shows a front view of a manifold base for electromagnetic valve showing my new design;

FIG. 2 shows a rear view thereof;

FIG. 3 shows a right side view thereof;

FIG. 4 shows a left side view thereof;

FIG. 5 shows a top view thereof;

FIG. 6 shows a bottom view thereof;

FIG. 7 shows a top, front and left side perspective view thereof; and,

FIG. 8 shows a bottom, rear and right side perspective view thereof.

The portions of the design shown in broken lines in FIG. 5 and FIG. 7 are for the purpose of illustrating the environment only and form no part of the claimed design.

**1 Claim, 4 Drawing Sheets**

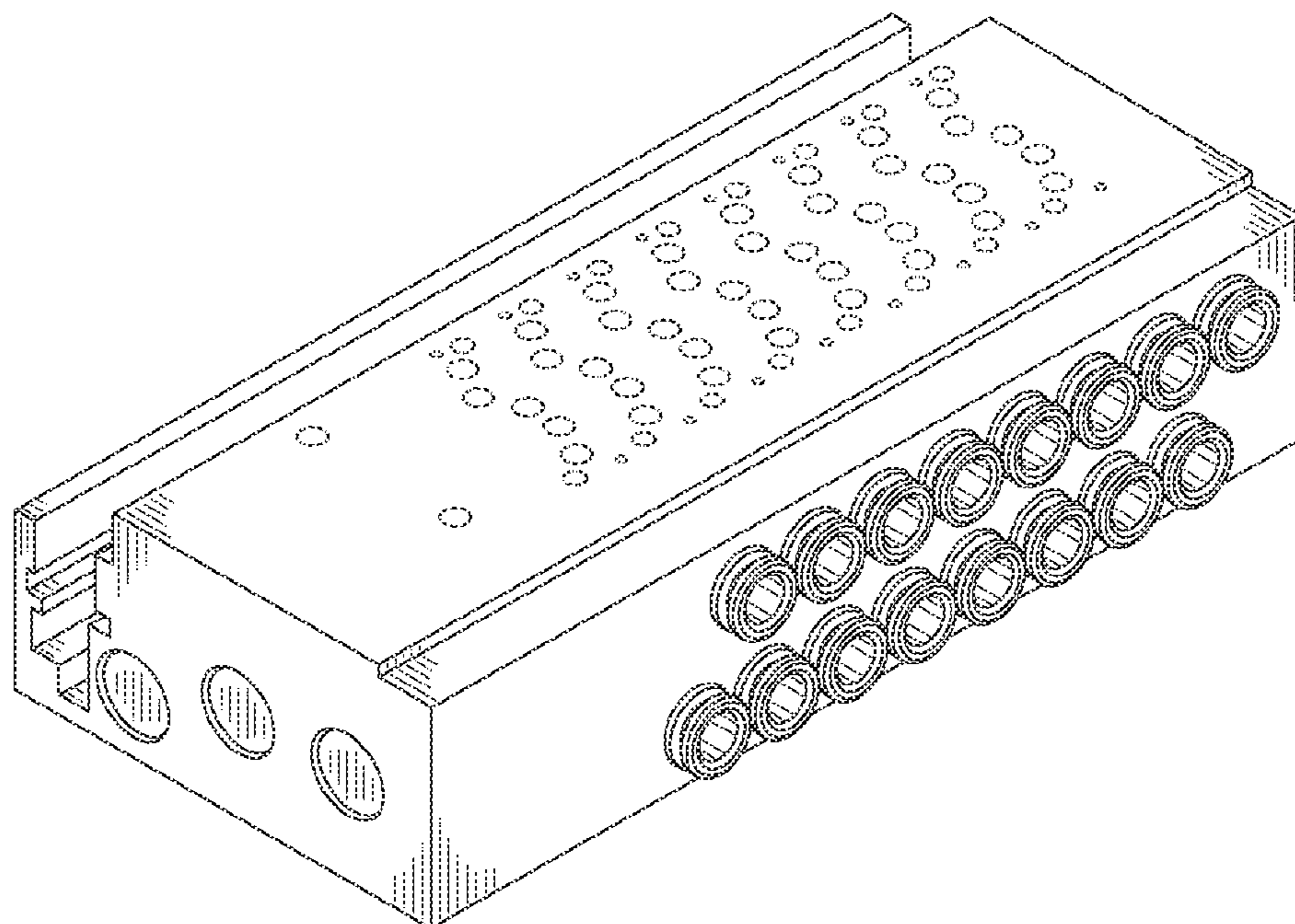


FIG. 1

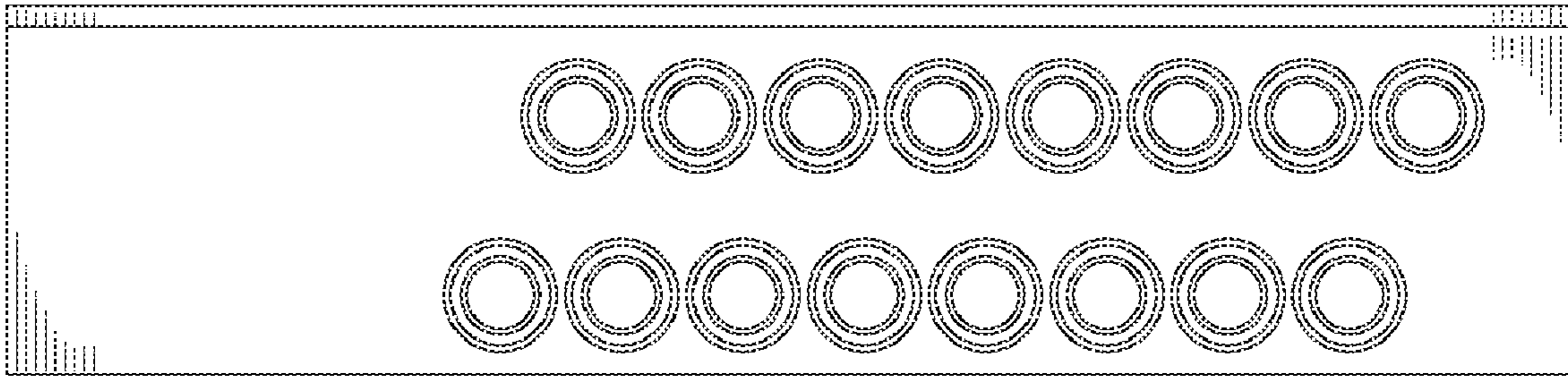


FIG. 2

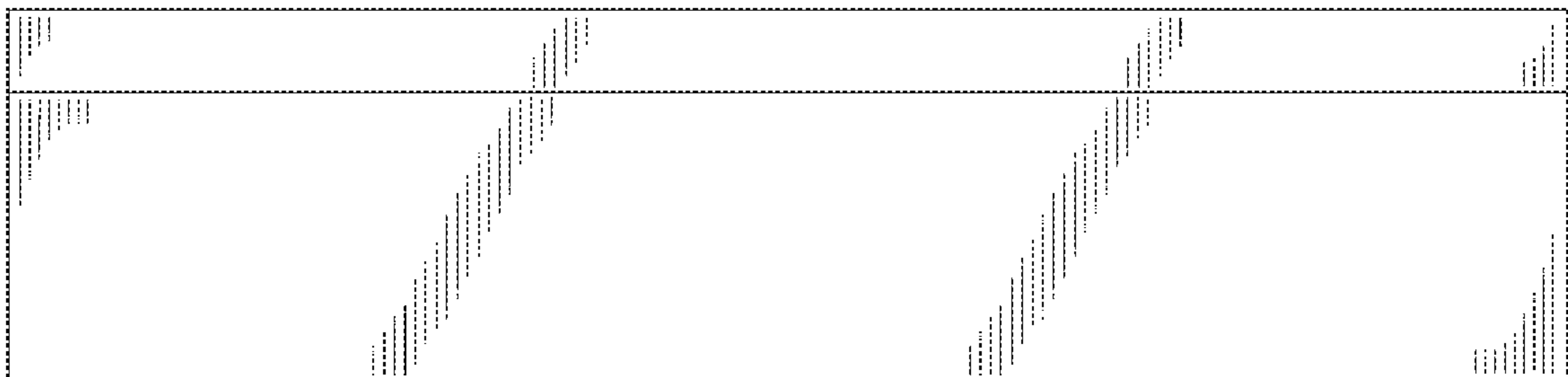


FIG. 3

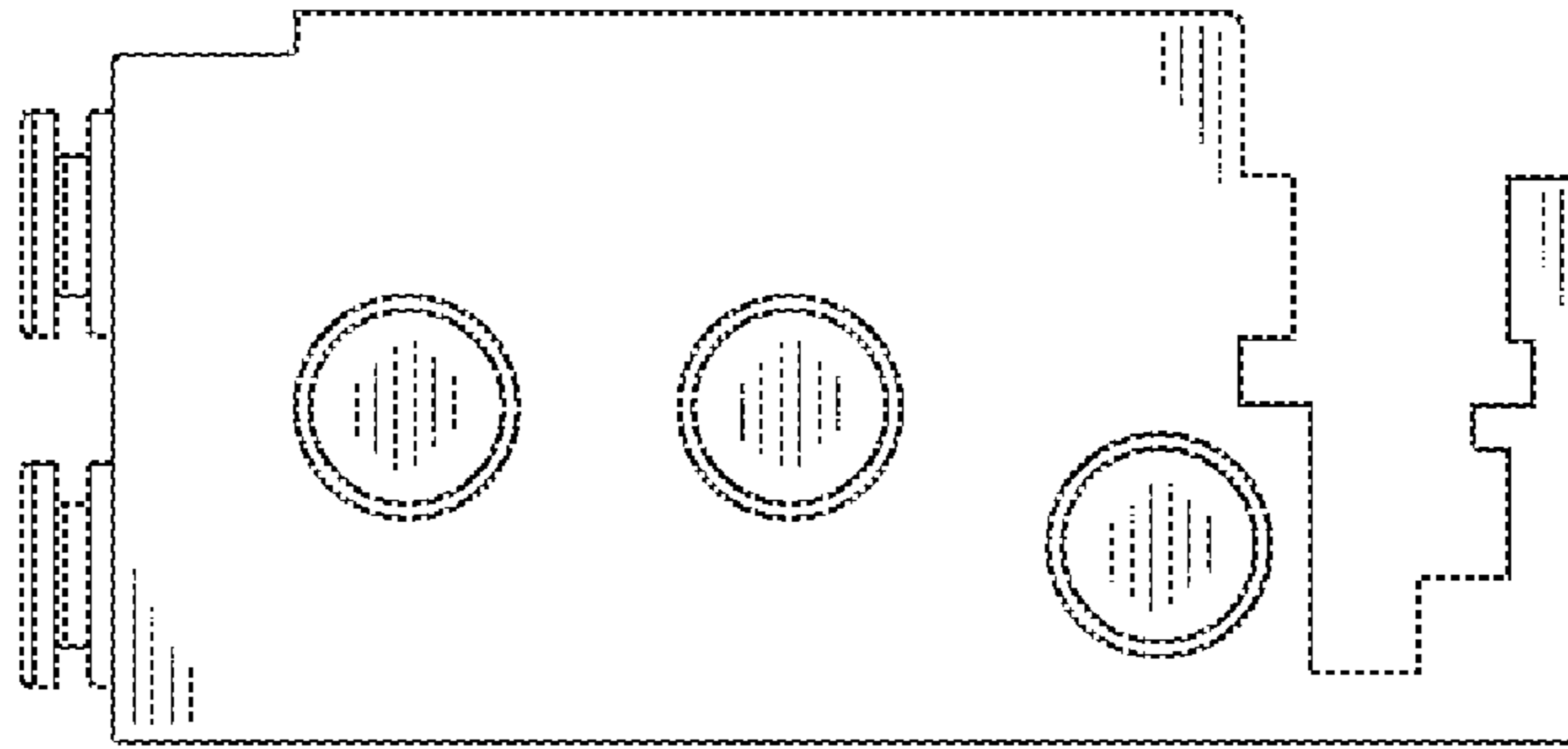


FIG. 4

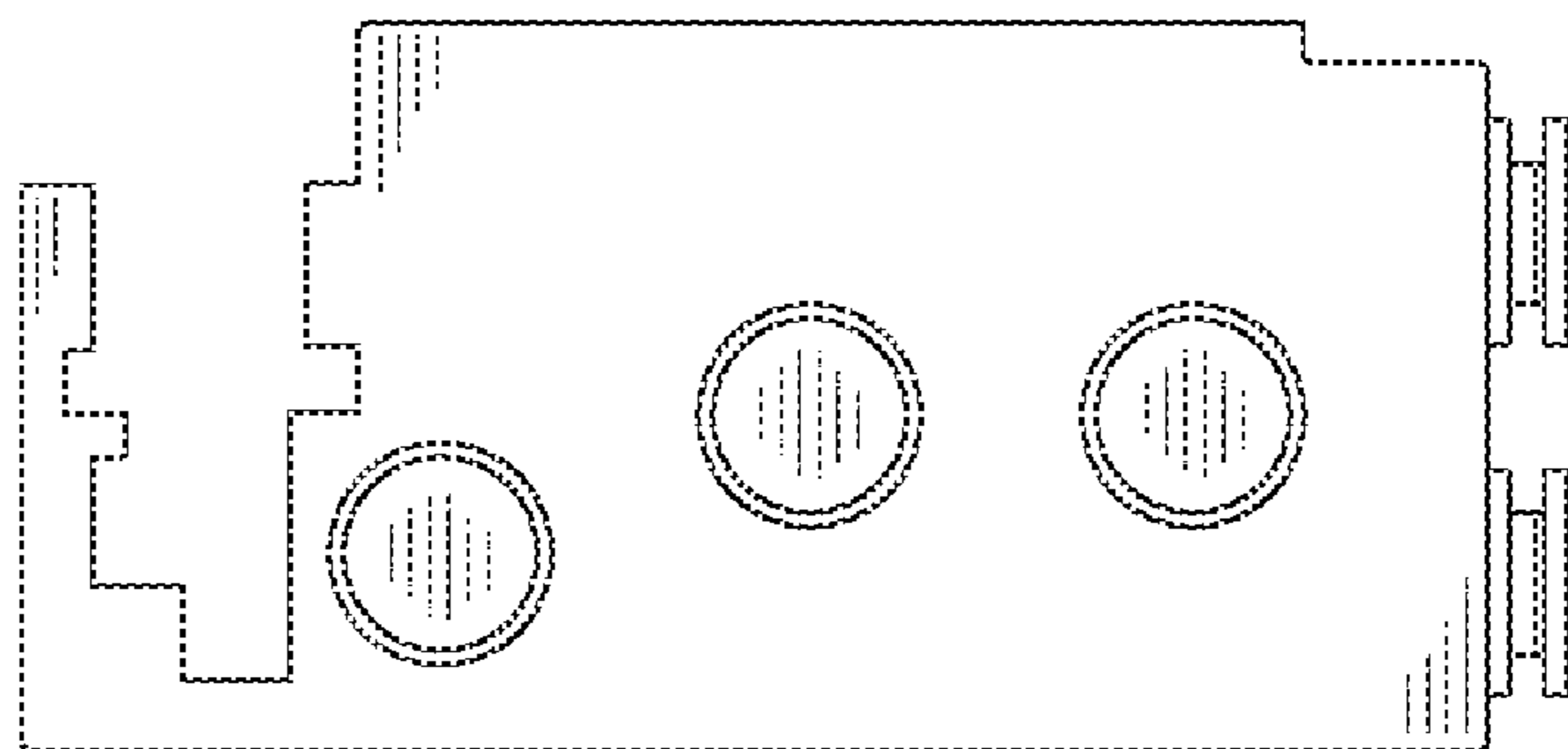


FIG. 5

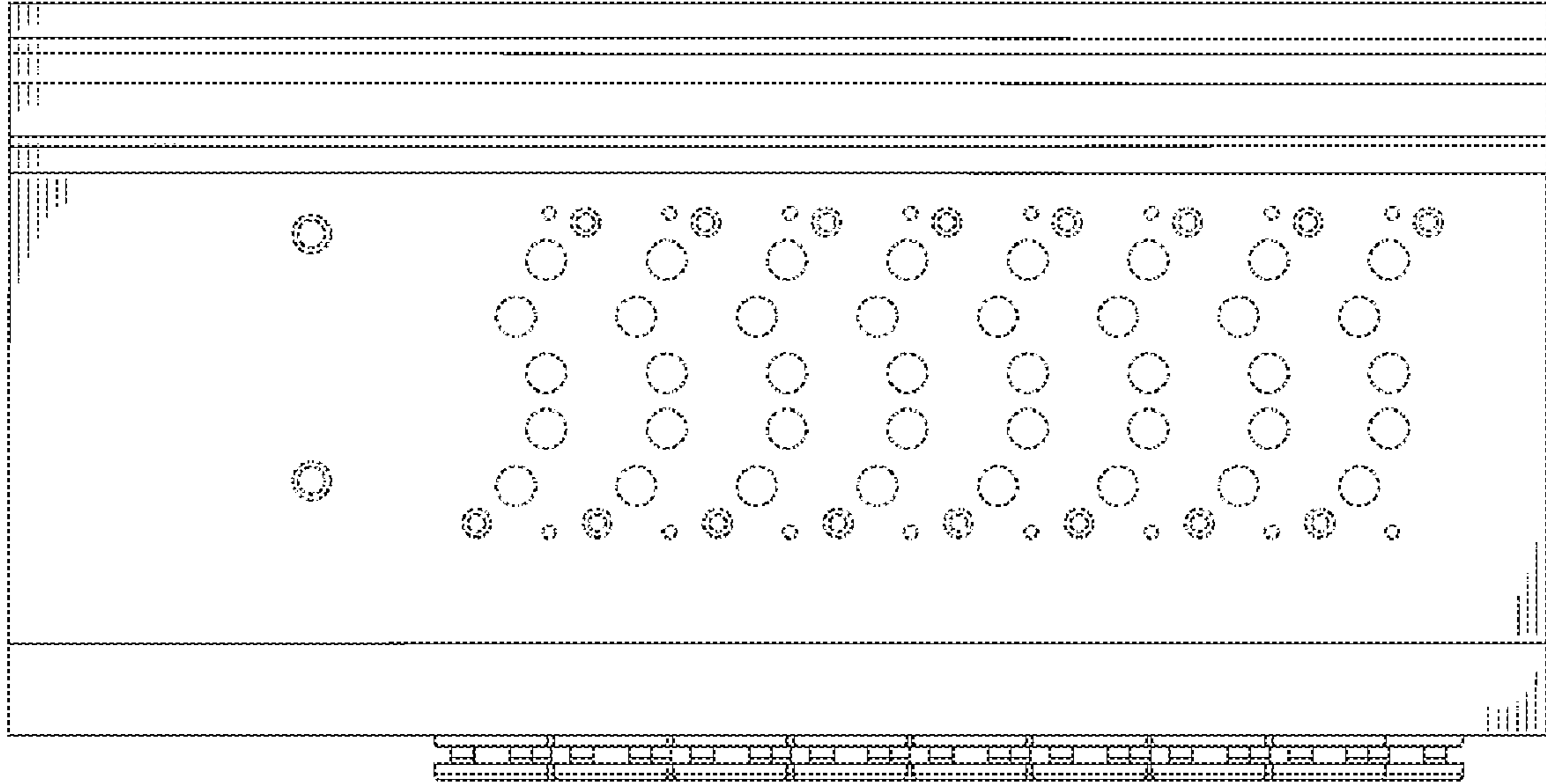


FIG. 6

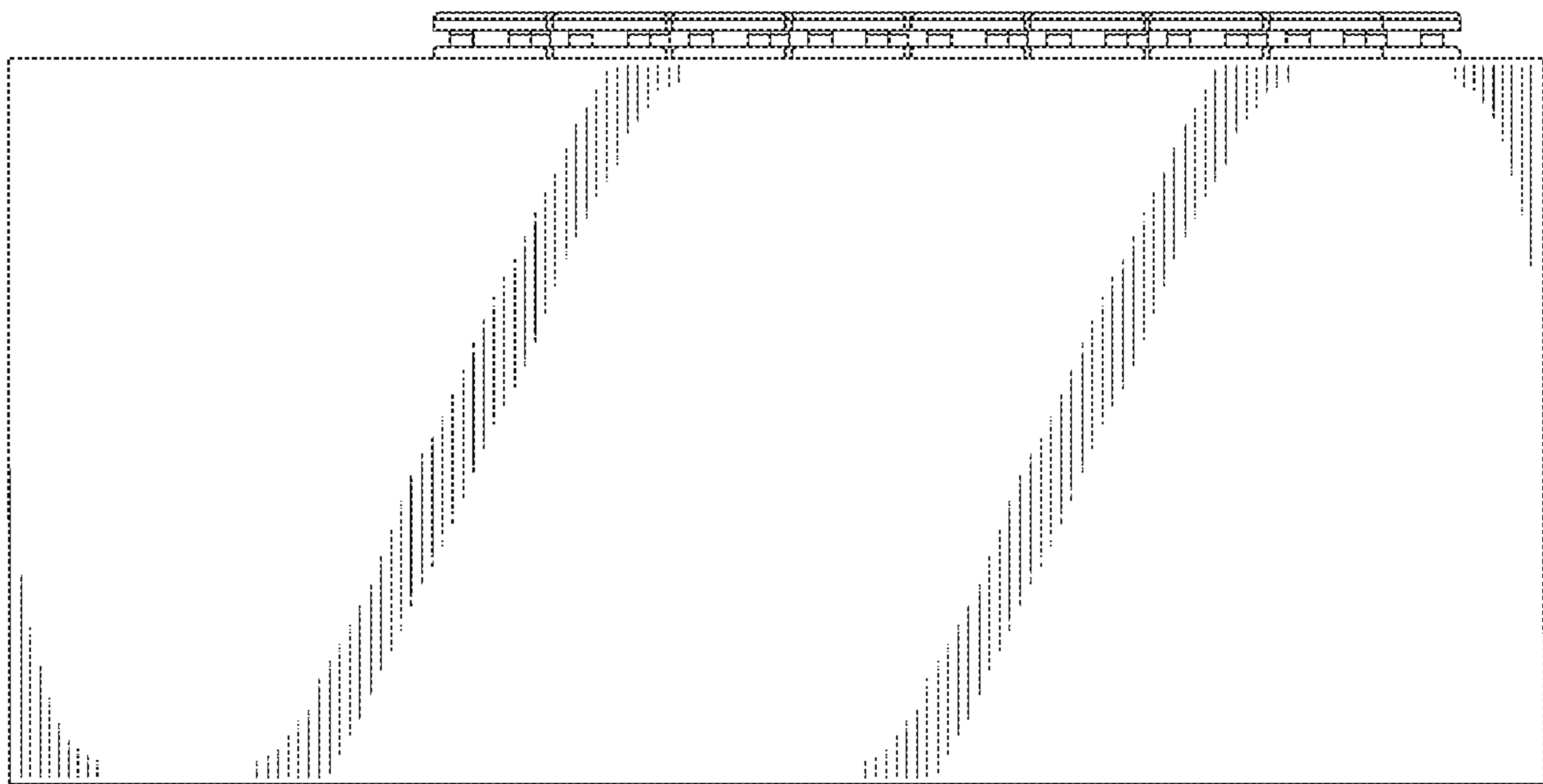


FIG. 7

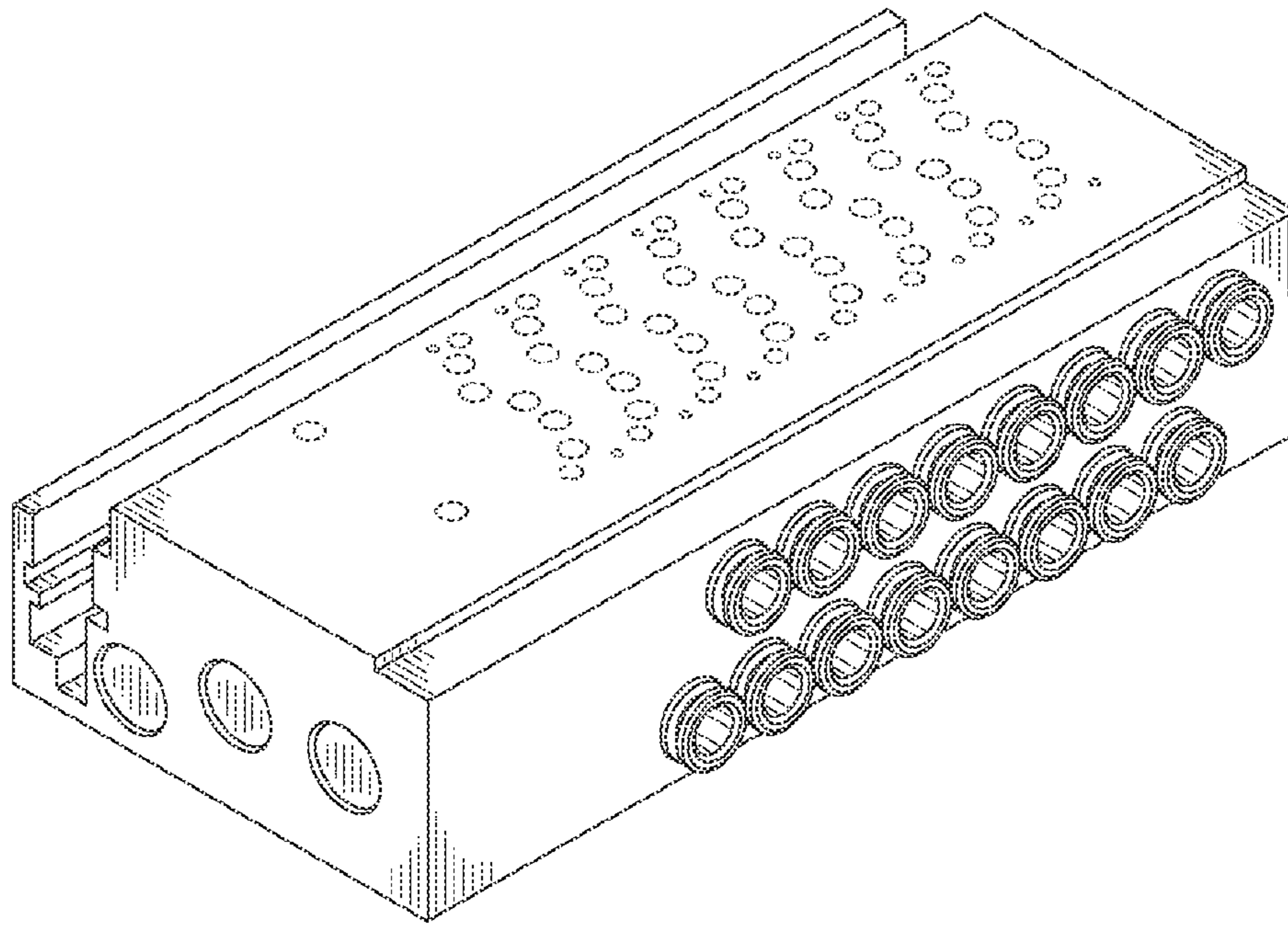


FIG. 8

