



US00D616963S

(12) **United States Design Patent**  
**Wesenberg**

(10) **Patent No.:** **US D616,963 S**  
(45) **Date of Patent:** **\*\* Jun. 1, 2010**

(54) **COMBINED LAWN BORDER AND SPRINKLER**

6,668,484 B2 \* 12/2003 Riccobene ..... 47/33  
D493,075 S \* 7/2004 Schmidt ..... D8/1  
D524,407 S \* 7/2006 Crowley ..... D23/214

(76) Inventor: **Nick L. Wesenberg**, 183 Lowell La., Sartell, MN (US) 56377

\* cited by examiner

(\*\*) Term: **14 Years**

*Primary Examiner*—Robin V Webster  
(74) *Attorney, Agent, or Firm*—Crossley Patent Law; Mark A. Crossley

(21) Appl. No.: **29/344,406**

(22) Filed: **Sep. 29, 2009**

(57) **CLAIM**

(51) **LOC (9) Cl.** ..... **23-01**

The ornamental design for a combined lawn border and sprinkler, as shown and described.

(52) **U.S. Cl.** ..... **D23/214; D8/1**

(58) **Field of Classification Search** ..... D23/213, D23/214, 217; 239/63, 64, 201, 276; D8/1; 47/33

See application file for complete search history.

**DESCRIPTION**

FIG. 1 is a front elevation view of a combined lawn border and sprinkler showing my new design;

(56) **References Cited**

**U.S. PATENT DOCUMENTS**

3,387,786	A	6/1968	Rynberk	
3,485,449	A	12/1969	Wilson	
4,824,019	A	4/1989	Lew	
D332,132	S	12/1992	Corcoran	
5,232,159	A	8/1993	Abbate, Sr. et al.	
5,755,383	A	5/1998	Joseph	
6,568,126	B2 *	5/2003	Womack	47/33
6,629,383	B2 *	10/2003	Allen et al.	47/33

FIG. 2 is a rear elevation view thereof;

FIG. 3 is a right elevation view thereof;

FIG. 4 is a left elevation view thereof;

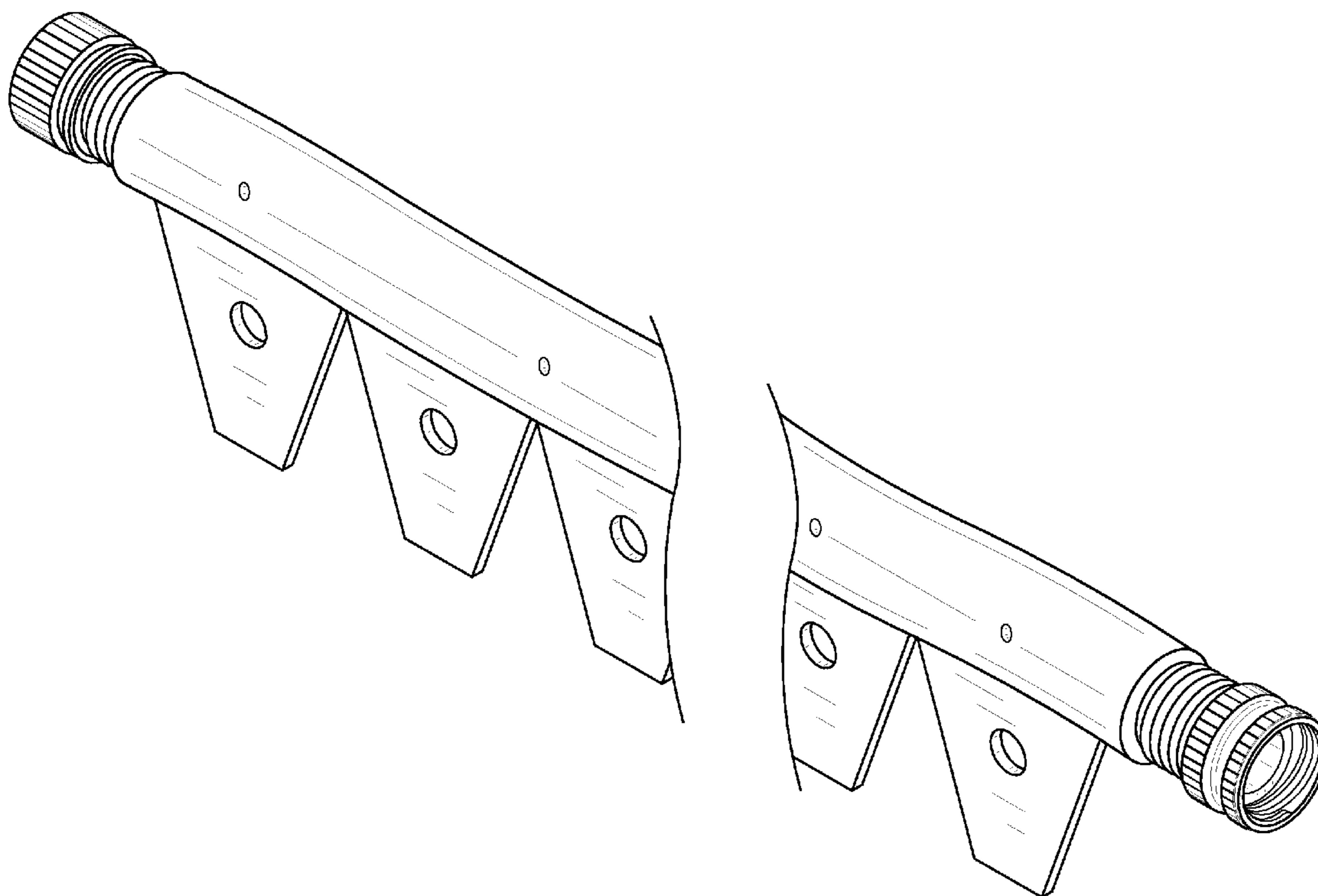
FIG. 5 is a top plan view thereof;

FIG. 6 is a bottom plan view thereof; and,

FIG. 7 is an isometric view thereof.

The claimed design is shown fragmented in FIGS. 1, 2 and 6-7 to indicate indeterminate length.

**1 Claim, 3 Drawing Sheets**



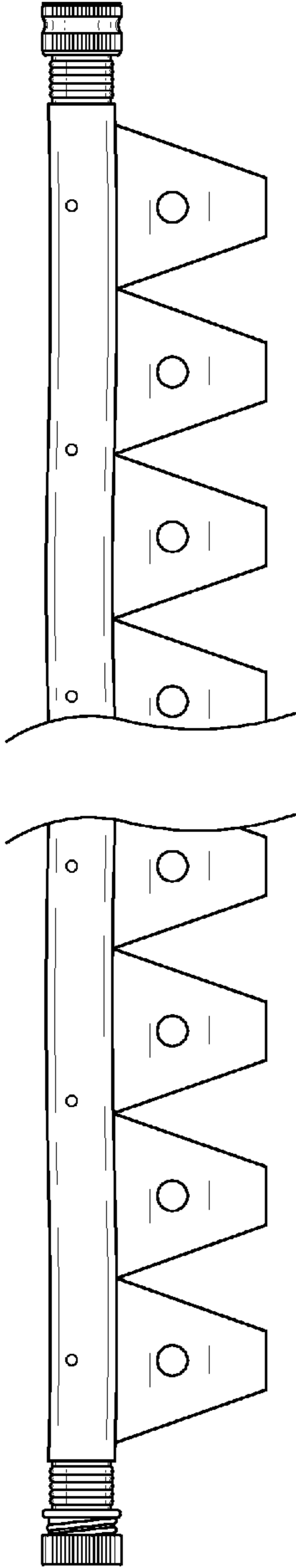


FIG. 1

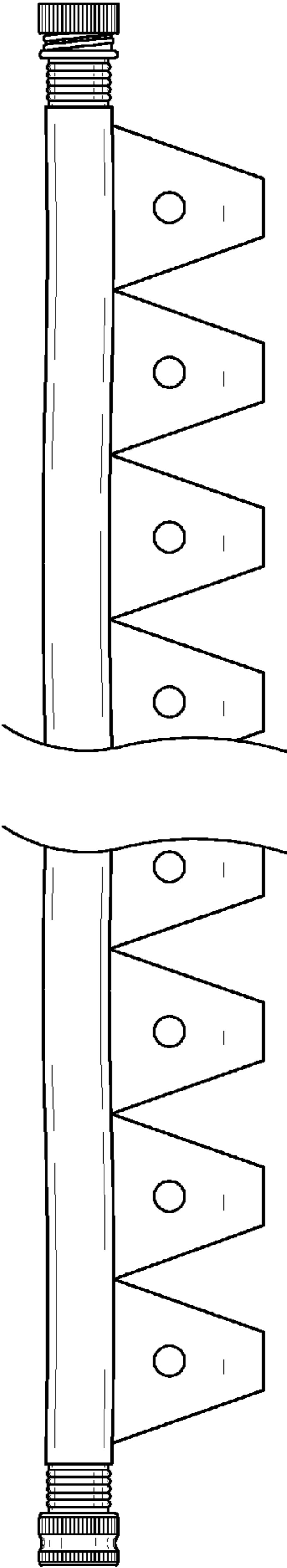


FIG. 2

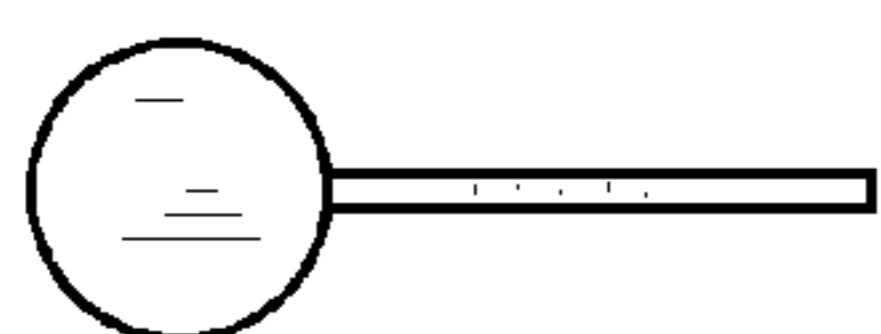


FIG. 3

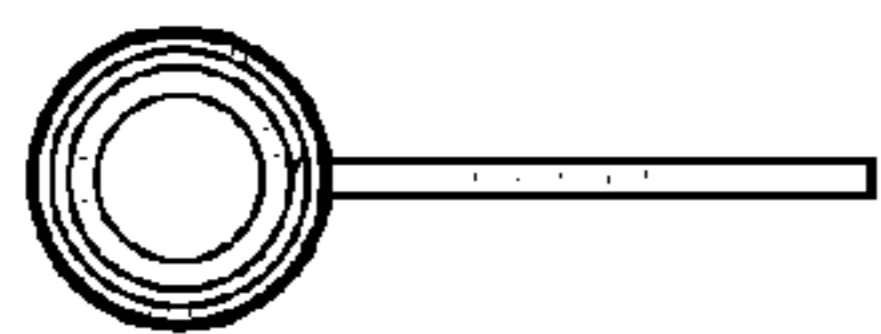


FIG. 4

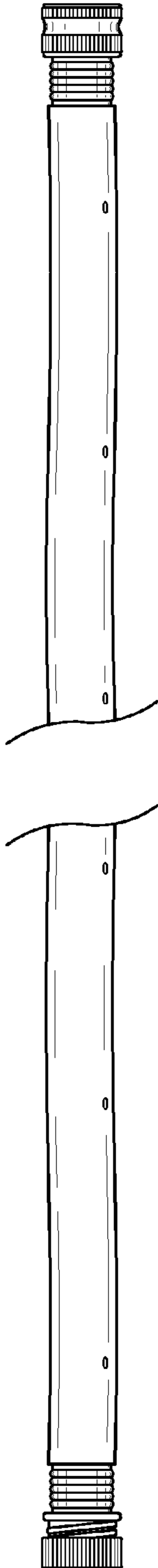


FIG. 5

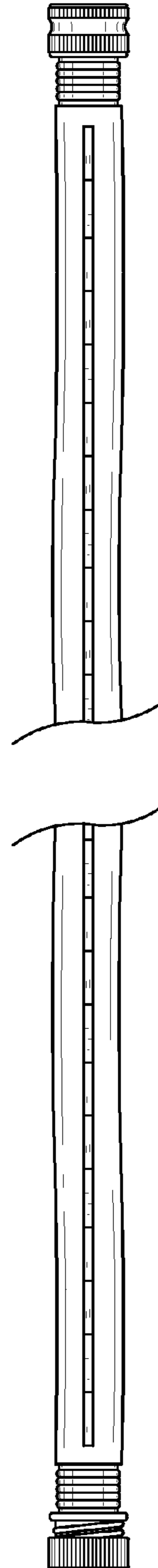


FIG. 6

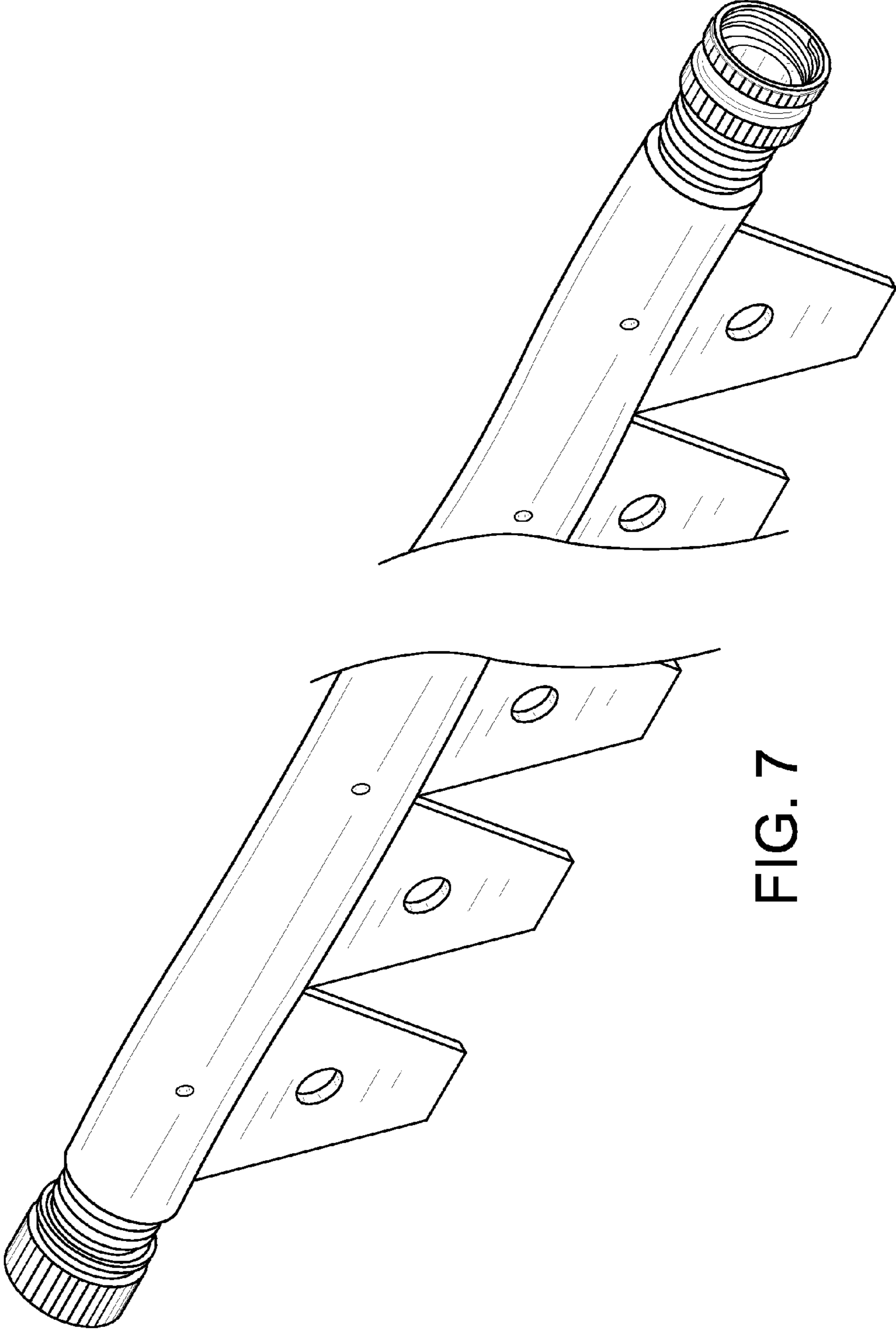


FIG. 7