



US00D616961S

(12) **United States Design Patent**
Goetz

(10) **Patent No.:** **US D616,961 S**
(45) **Date of Patent:** **** Jun. 1, 2010**

(54) **JET CLEANER FOR A WATER SPRINKLER**

(75) Inventor: **Michael H. Goetz**, Berlin, PA (US)

(73) Assignee: **Robert Bosch GmbH**, Stuttgart (DE)

(**) Term: **14 Years**

(21) Appl. No.: **29/325,315**

(22) Filed: **Sep. 29, 2008**

(51) **LOC (9) Cl.** **23-01**

(52) **U.S. Cl.** **D23/213; D23/214**

(58) **Field of Classification Search** D23/213,
D23/214, 216, 217, 218; 239/276, 200–206,
239/542, DIG. 1, 242, 247, 548; 141/90

See application file for complete search history.

(56) **References Cited**

U.S. PATENT DOCUMENTS

4,447,917	A *	5/1984	Walter	4/255.09
5,248,094	A *	9/1993	Munoz	239/247
D371,596	S	7/1996	Simonetti		
5,676,184	A *	10/1997	Houser	141/90
D387,127	S	12/1997	Guo		
D422,052	S	3/2000	Heren		
D440,629	S	4/2001	Guo		
D466,184	S	11/2002	Kuo		
6,899,292	B2 *	5/2005	Titinet	239/548
D540,429	S	4/2007	Barmore		

OTHER PUBLICATIONS

Gilmour web site page, Pattern Master; <http://www.gilmour.com/Watering/Hose-End/Sprinklers/Medium-Coverage/Pattern-Maste...>; published at least as early as Aug. 15, 2008; (2 pages).

Gilmour web site page, Turbine Oscillator; <http://www.gilmour.com/Hose-End/Sprinklers/Medium-Coverage/Turbine-Oscil...>; published at least as early as Aug. 15, 2008; (1 page).

Gilmour web site page, Metal Oscillator; <http://www.gilmour.com/Watering/Hose-End/Sprinklers/Medium-Coverage/Metal-Oscil-lat...>; published at least as early as Aug. 15, 2008; (2 pages).

Gilmour web site page, Timer Oscillator; <http://www.gilmour.com/Watering/Hose-End/Sprinklers/Medium-Coverage/Timer-Oscilla...>; published at least as early as Aug. 15, 2008; (2 pages).

Gilmour web site page, Standard Oscillator; <http://www.gilmour.com/Watering/Hose-End/Sprinklers/Medium-Coverage/Standard-Osci...>; published at least as early as Aug. 15, 2008; (2 pages).

Pictures showing various tube tip cleaners that were publicly available at least as early as Sep. 28, 2008; (1 page).

* cited by examiner

Primary Examiner—Robin V Webster

(74) *Attorney, Agent, or Firm*—Maginot, Moore & Beck

(57) **CLAIM**

The ornamental design for a jet cleaner for a water sprinkler, as shown and described.

DESCRIPTION

FIG. 1 is a perspective view of a jet cleaner for a water sprinkler showing my new design;

FIG. 2 is a left side elevational view showing the design for the jet cleaner of FIG. 1;

FIG. 3 is a top elevational view showing the design for the jet cleaner of FIG. 1;

FIG. 4 is a right side elevational view showing the design for the jet cleaner of FIG. 1;

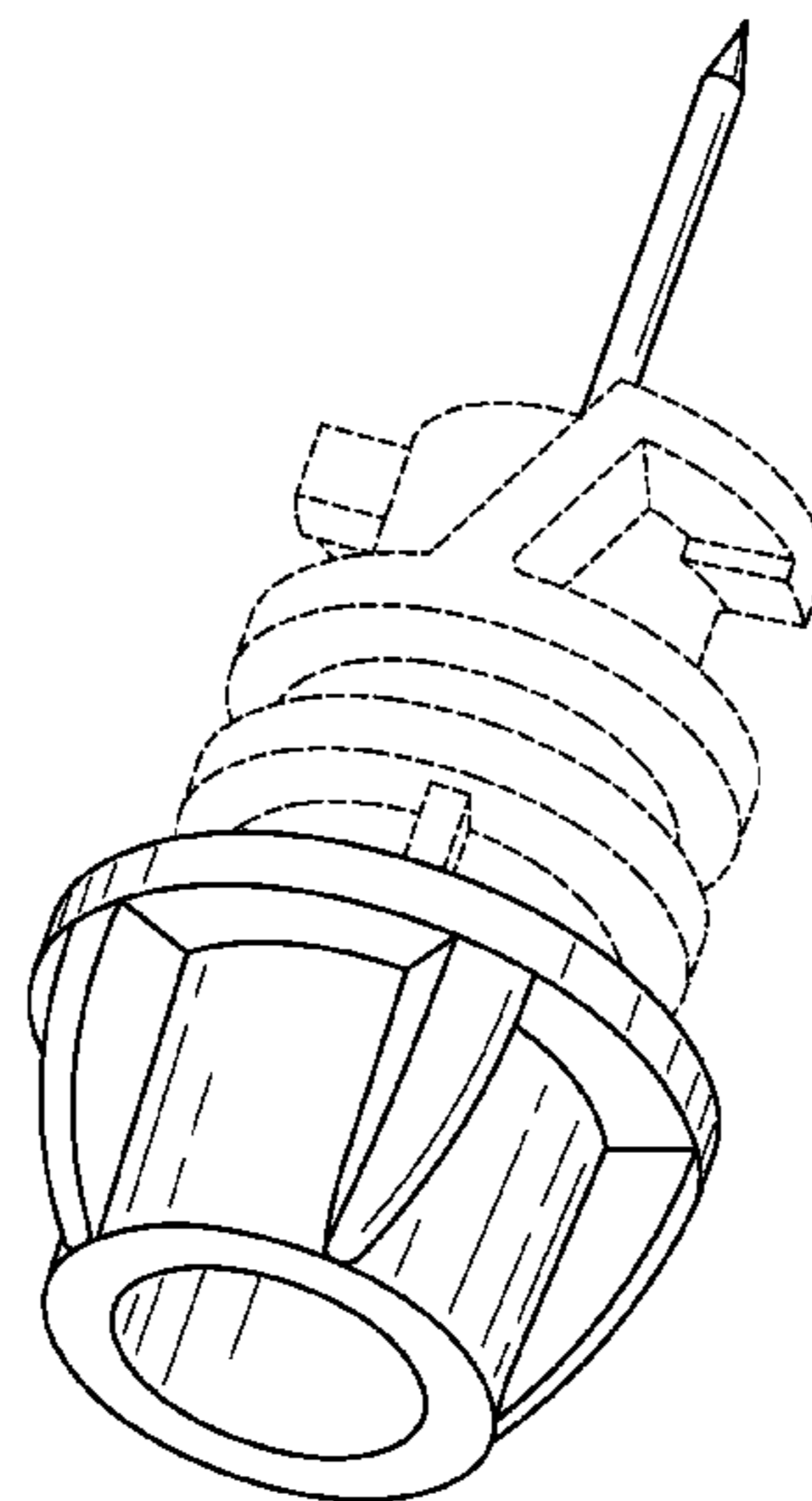
FIG. 5 is a bottom elevational view showing the design for the jet cleaner of FIG. 1;

FIG. 6 is a rear elevational view showing the design for the jet cleaner of FIG. 1; and,

FIG. 7 is a front elevational view showing the design for the jet cleaner of FIG. 1.

The broken line showing of portions of the jet cleaner is included for illustrative purposes only and forms no part of the claimed design.

1 Claim, 6 Drawing Sheets



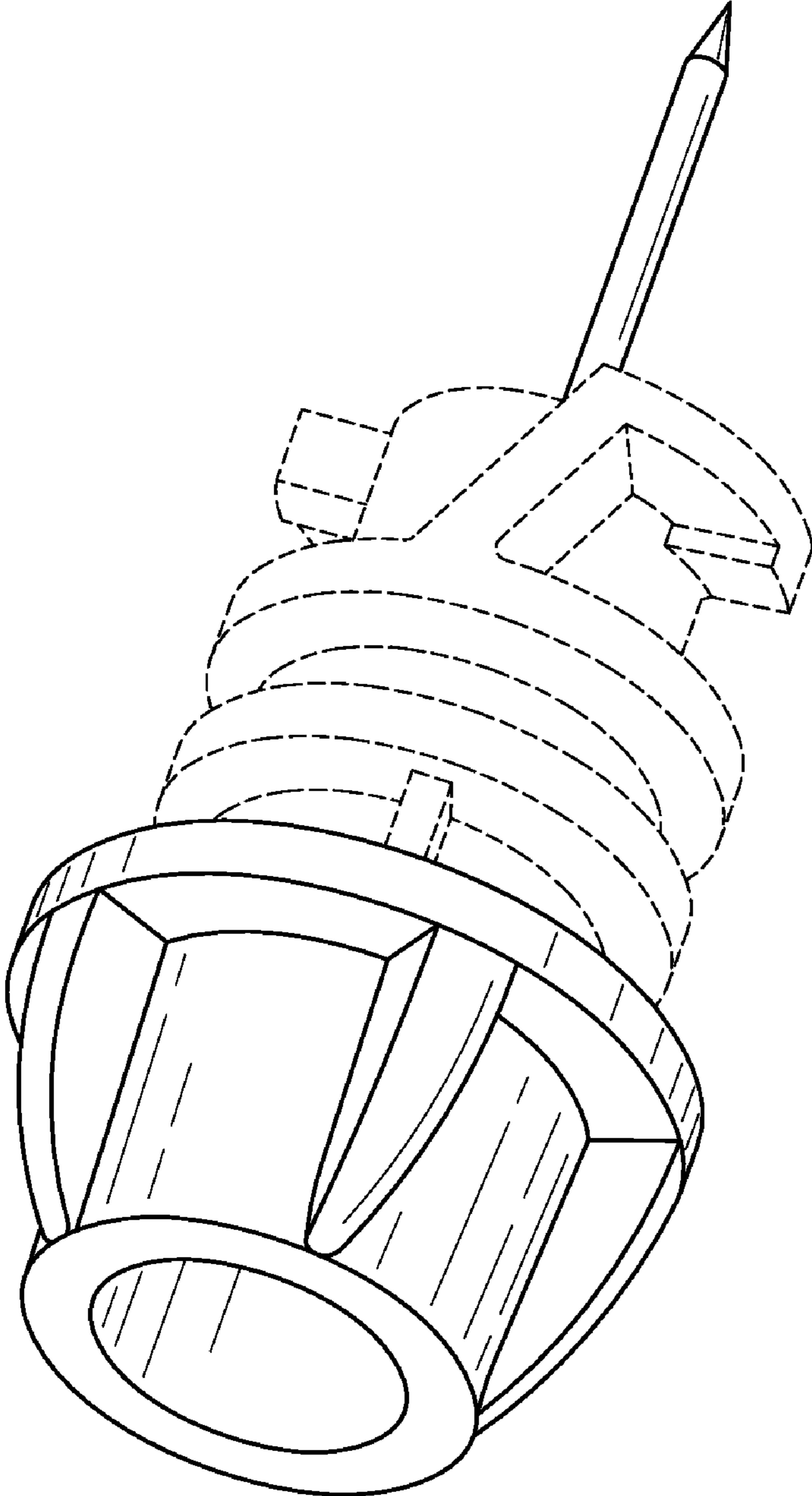


Fig. 1

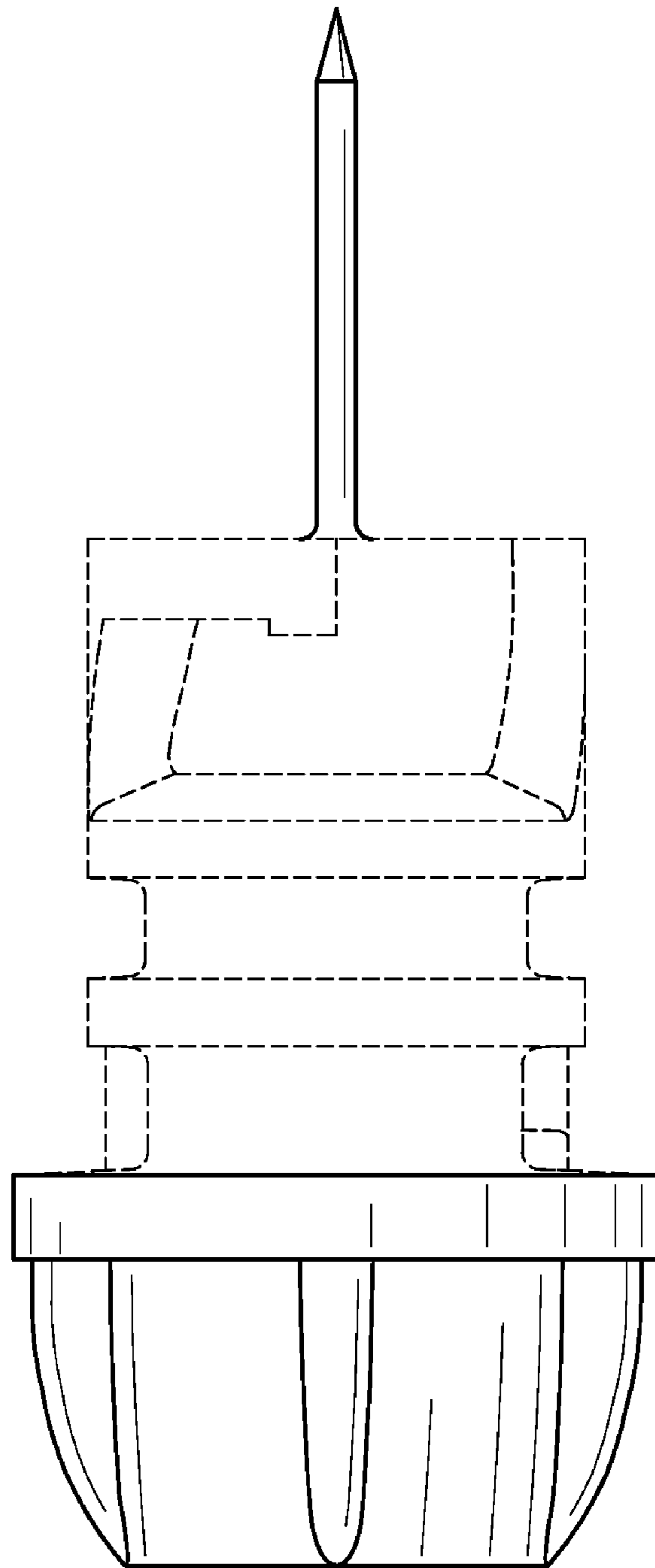


Fig. 2

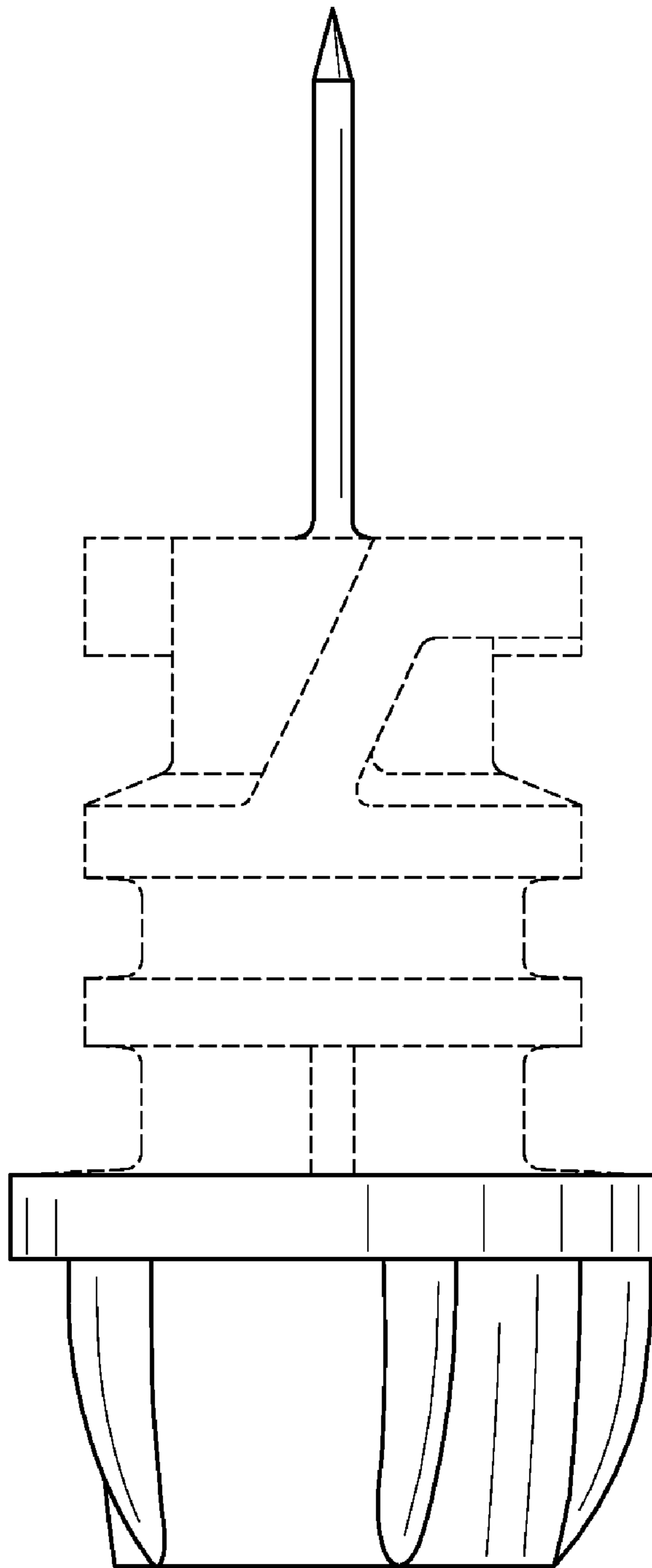


Fig. 3

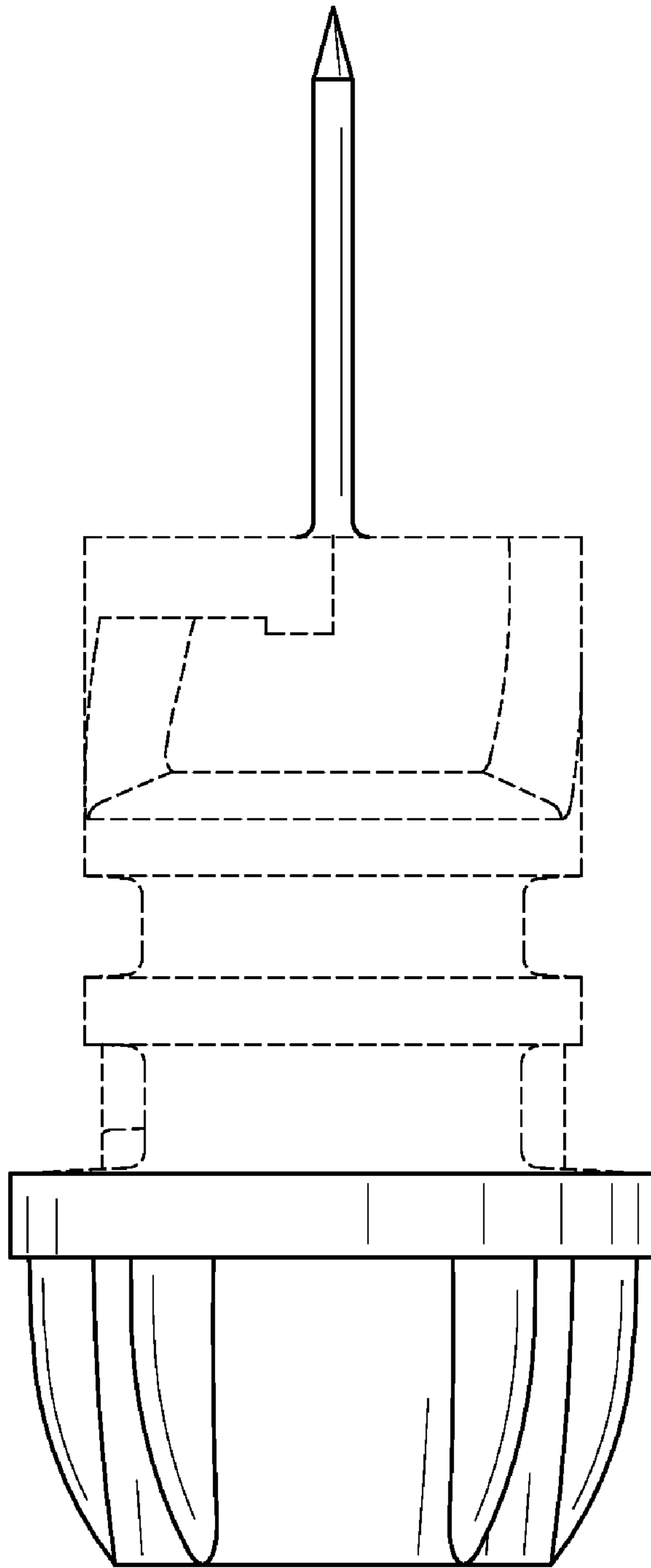


Fig. 4

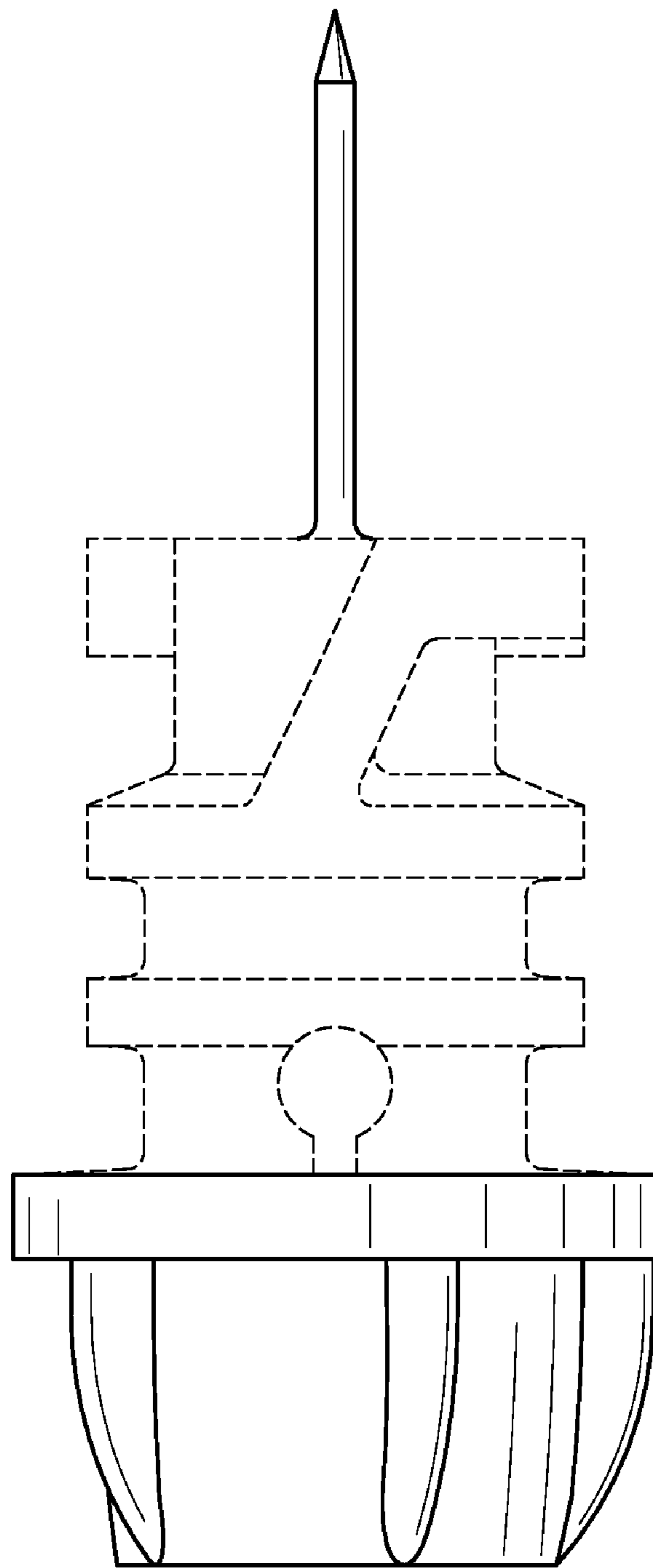


Fig. 5

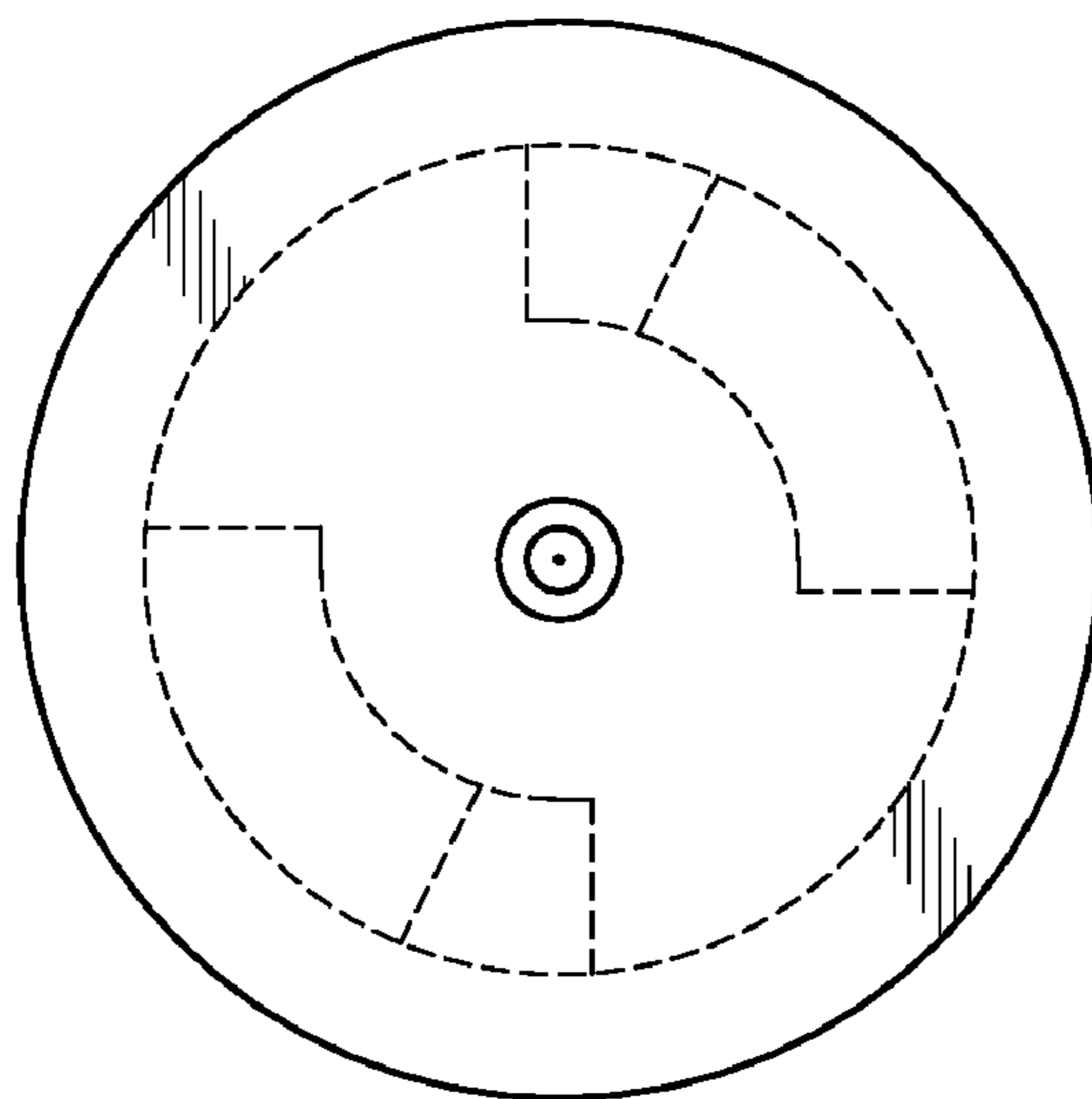


Fig. 6

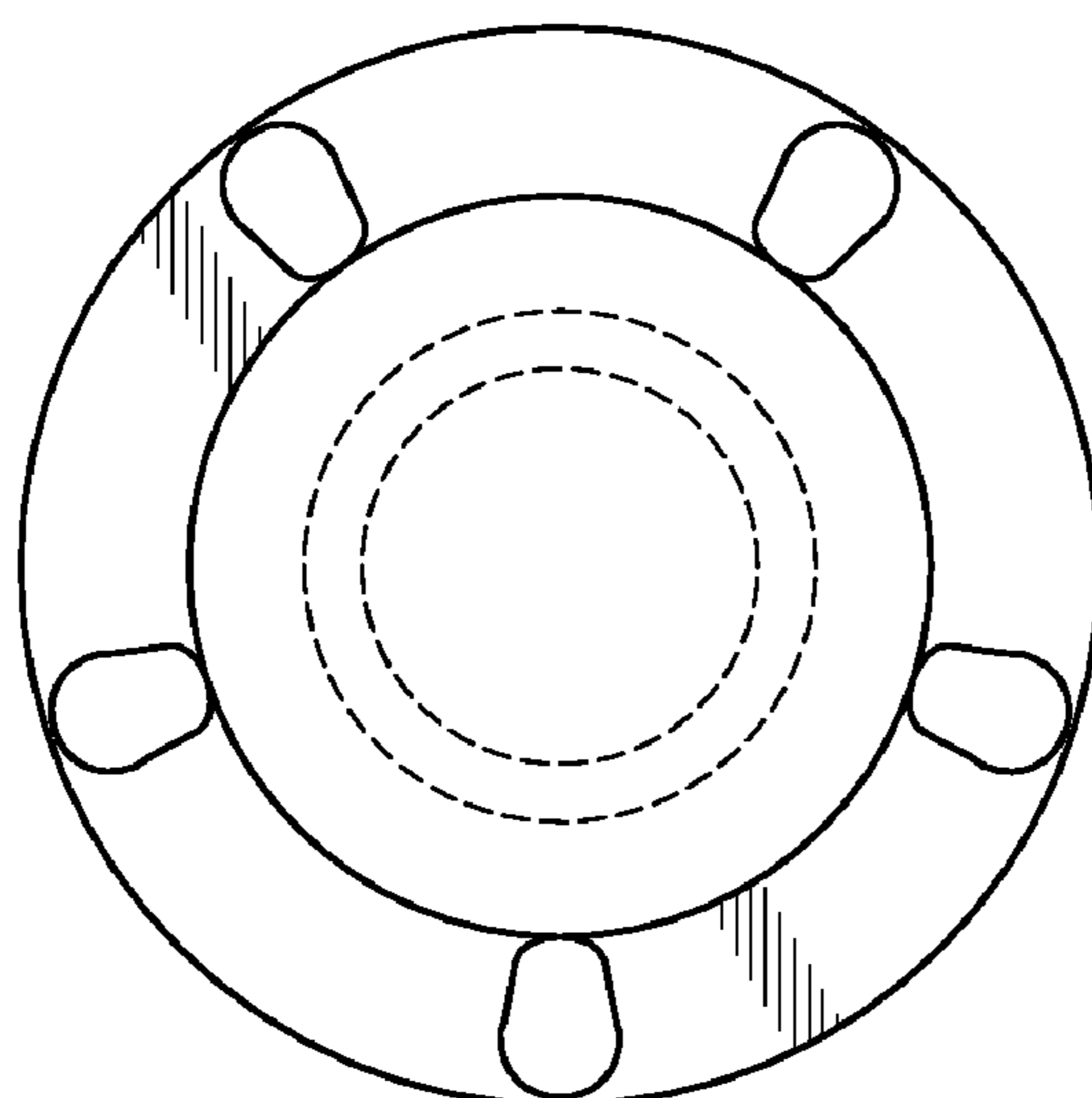


Fig. 7