



US00D616958S

(12) **United States Design Patent**
Huang

(10) **Patent No.:** **US D616,958 S**
(45) **Date of Patent:** **** Jun. 1, 2010**

(54) **MOUSE TRAP**

D532,478 S * 11/2006 Wiesener et al. D22/119

(76) Inventor: **Po-Jung Huang**, No. 10, Aly. 30, Ln.
161, Juguang Rd., Yuanlin Township,
Changhua County (TW) 510

* cited by examiner

Primary Examiner—Catherine R Oliver

(**) Term: **14 Years**

(57) **CLAIM**

The ornamental design for a mouse trap, as shown and described.

(21) Appl. No.: **29/343,435**

(22) Filed: **Sep. 13, 2009**

DESCRIPTION

(51) **LOC (9) Cl.** **22-06**

FIG. 1 is a perspective view of a mouse trap showing my new design;

(52) **U.S. Cl.** **D22/119**

FIG. 2 is a front view of the embodiment shown in FIG. 1;

(58) **Field of Classification Search** D22/119–125;
43/60–61, 65–66, 112–113, 124, 131

FIG. 3 is a rear view of the embodiment shown in FIG. 1;

See application file for complete search history.

FIG. 4 is a left side view of the embodiment shown in FIG. 1;

FIG. 5 is a right side view of the embodiment shown in FIG. 1;

(56) **References Cited**

1;

FIG. 6 is a top view of the embodiment shown in FIG. 1; and,

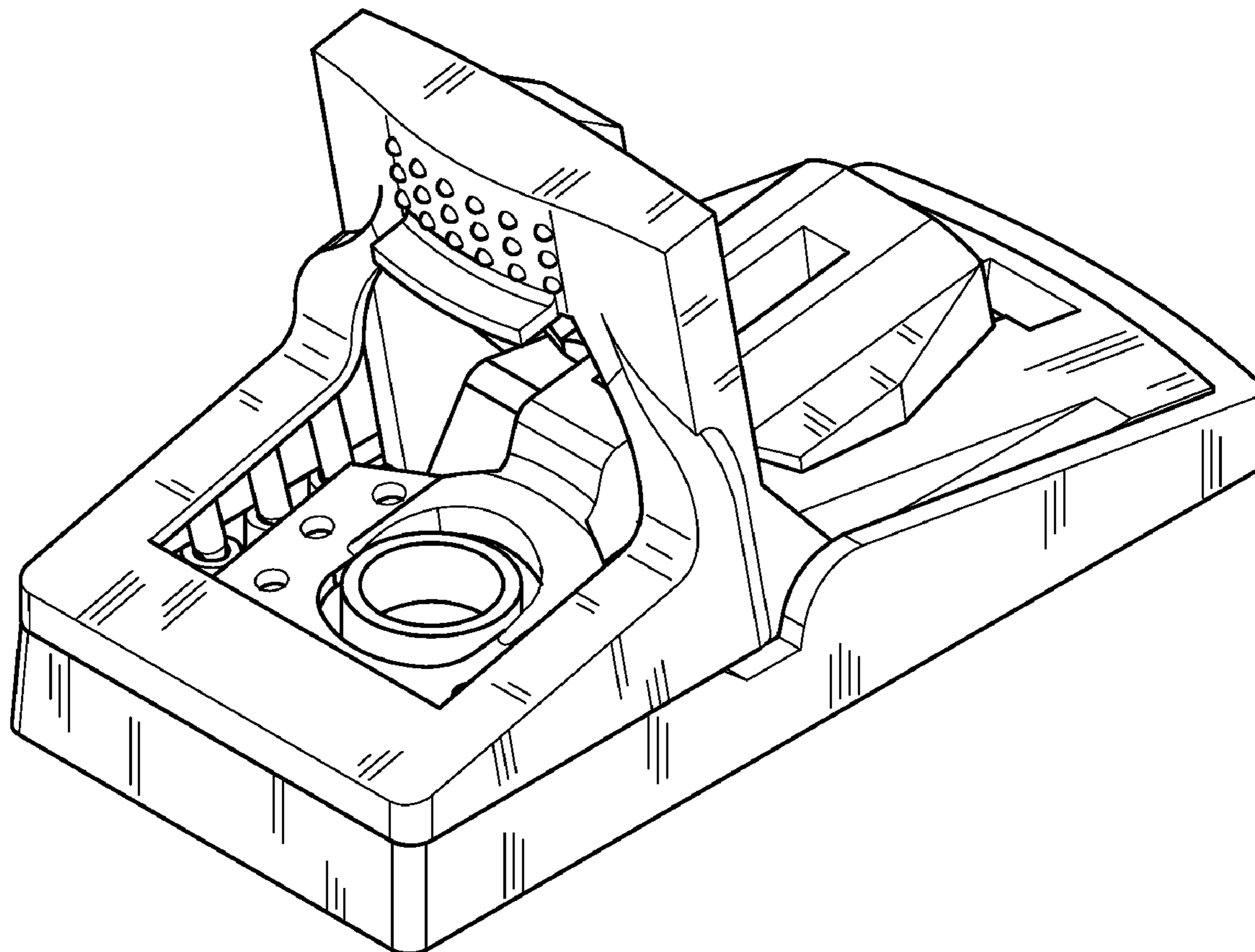
FIG. 7 is a bottom view of the embodiment shown in FIG. 1.

U.S. PATENT DOCUMENTS

D275,511 S * 9/1984 Nagel D22/119

D320,833 S * 10/1991 Lumsden D22/119

1 Claim, 7 Drawing Sheets



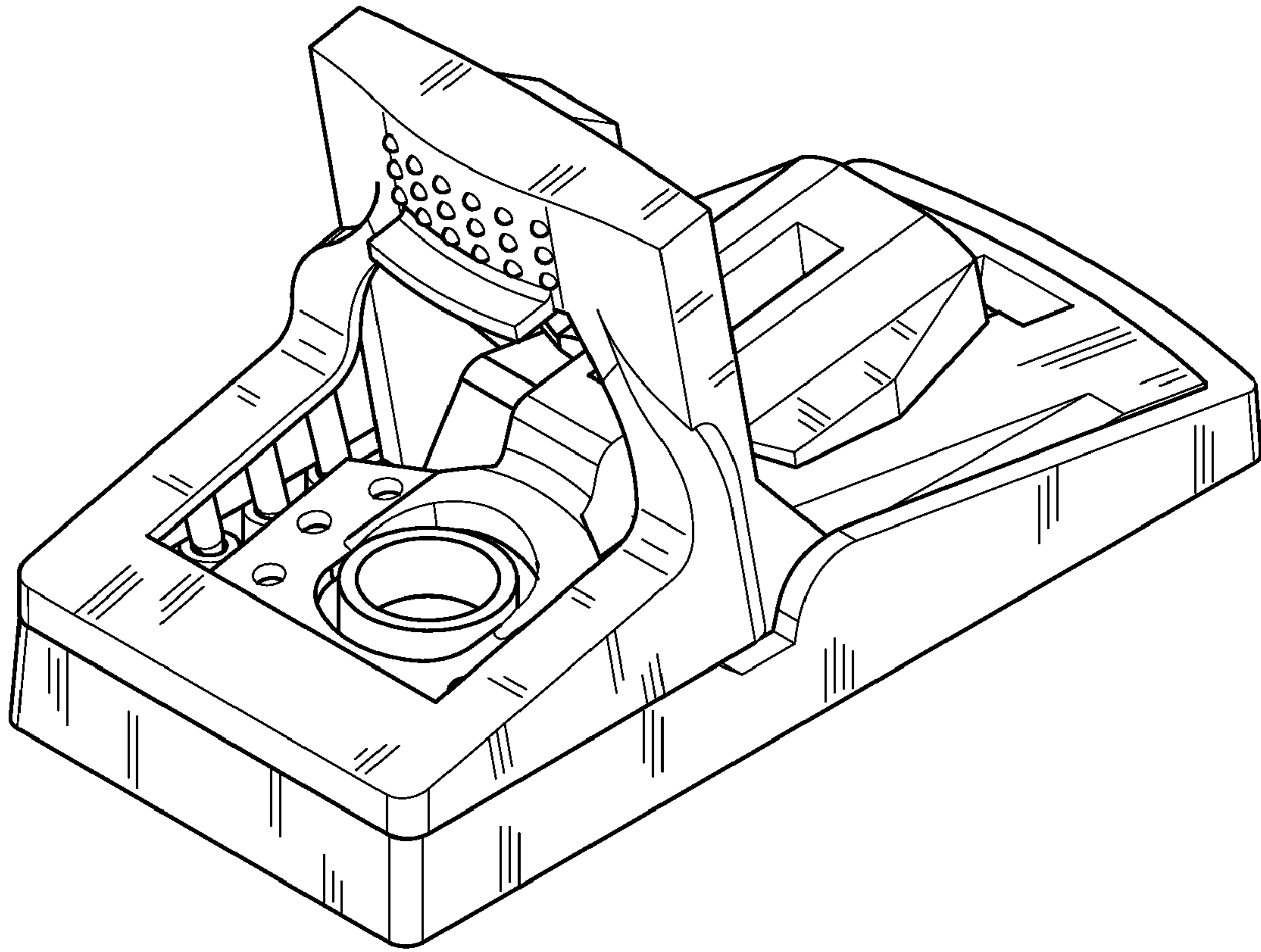


FIG. 1

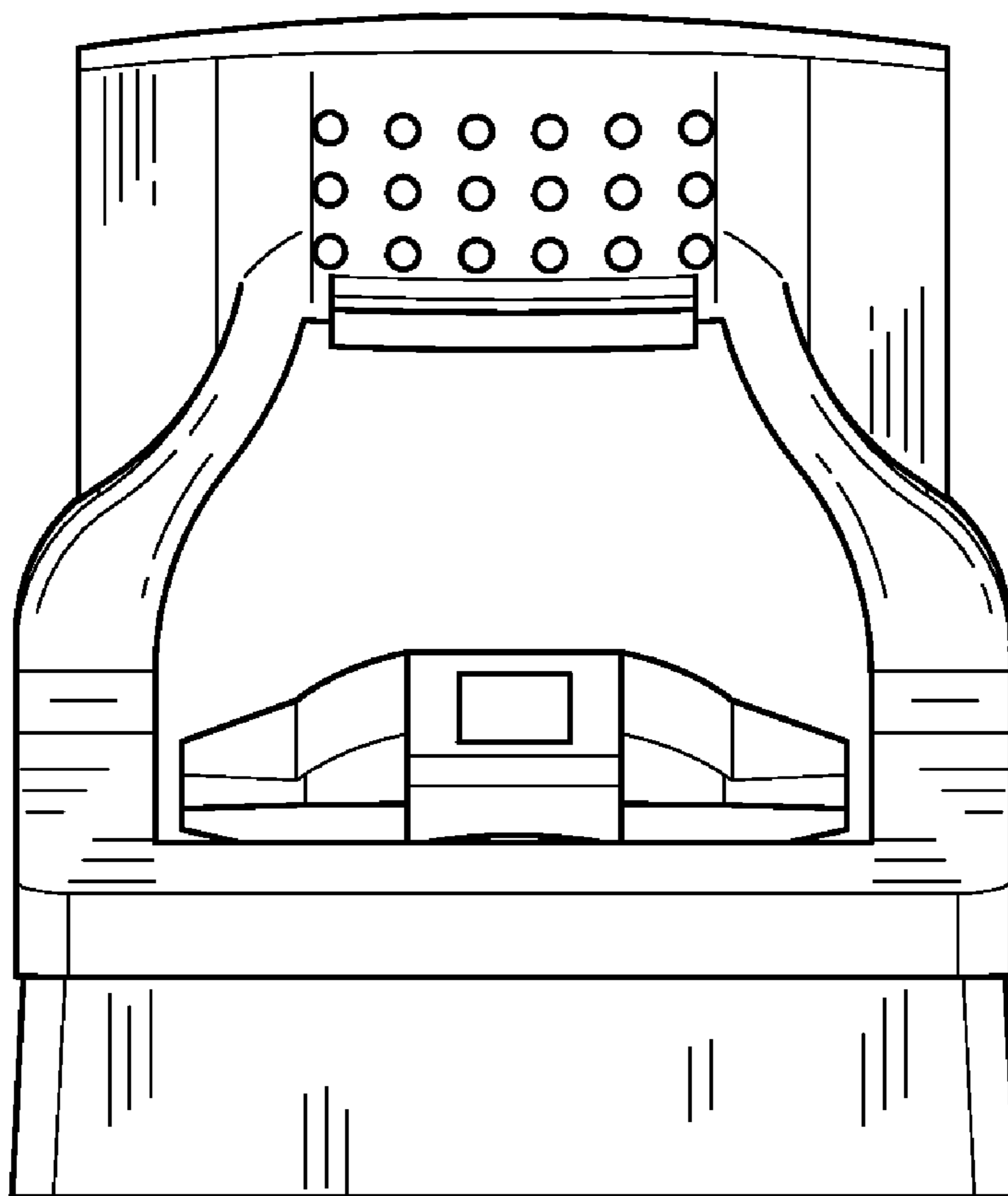


FIG. 2

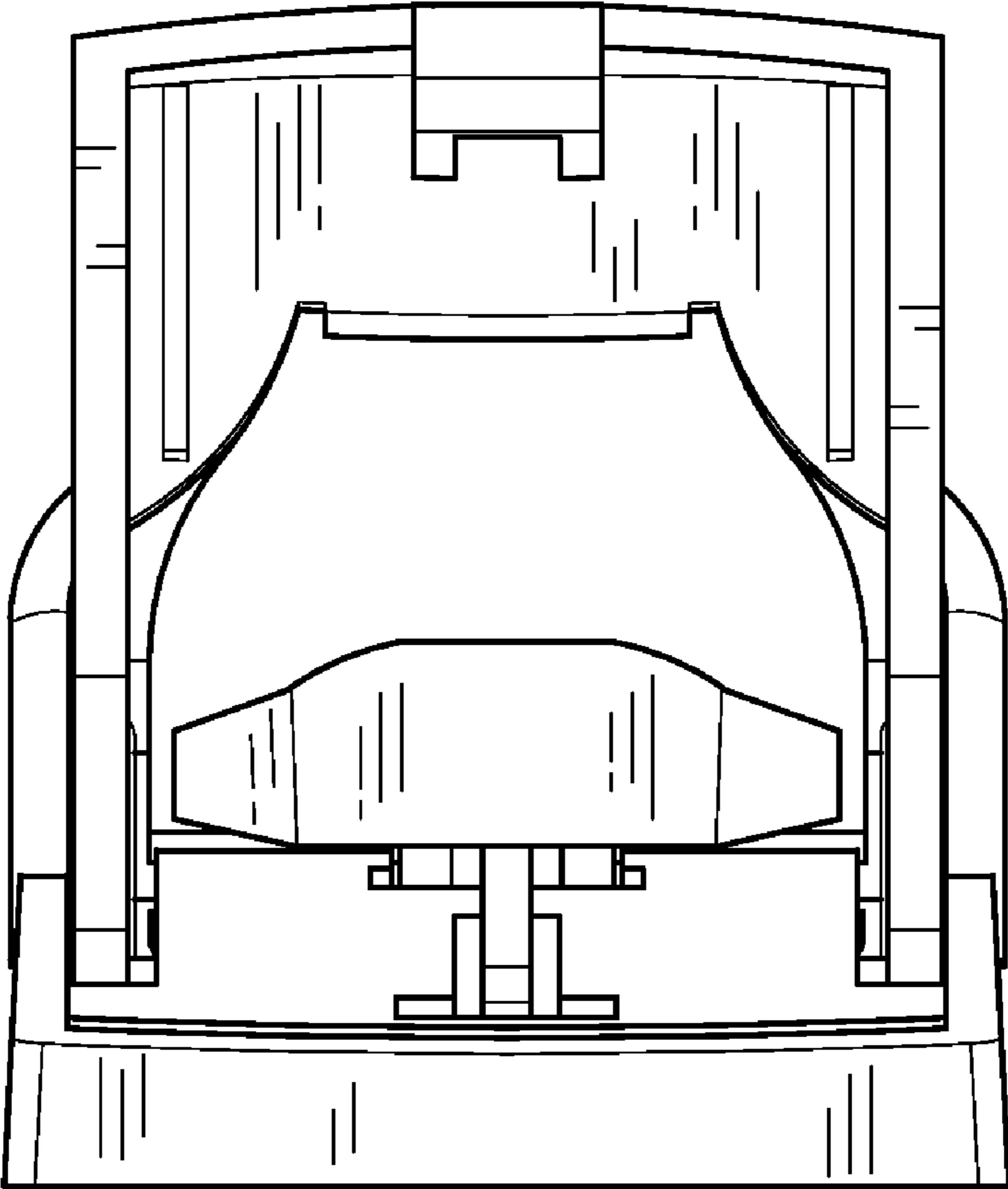


FIG. 3

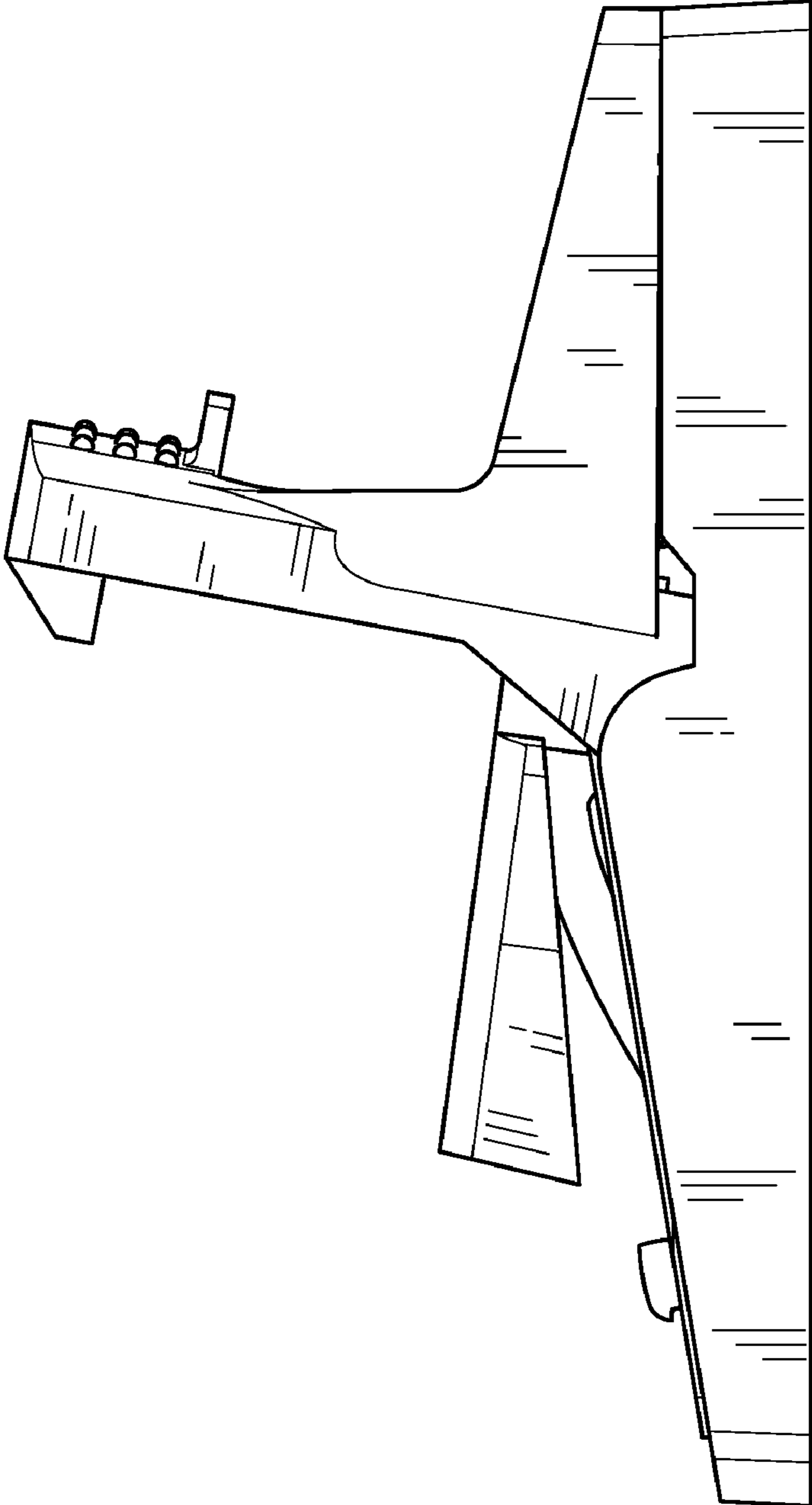


FIG. 4

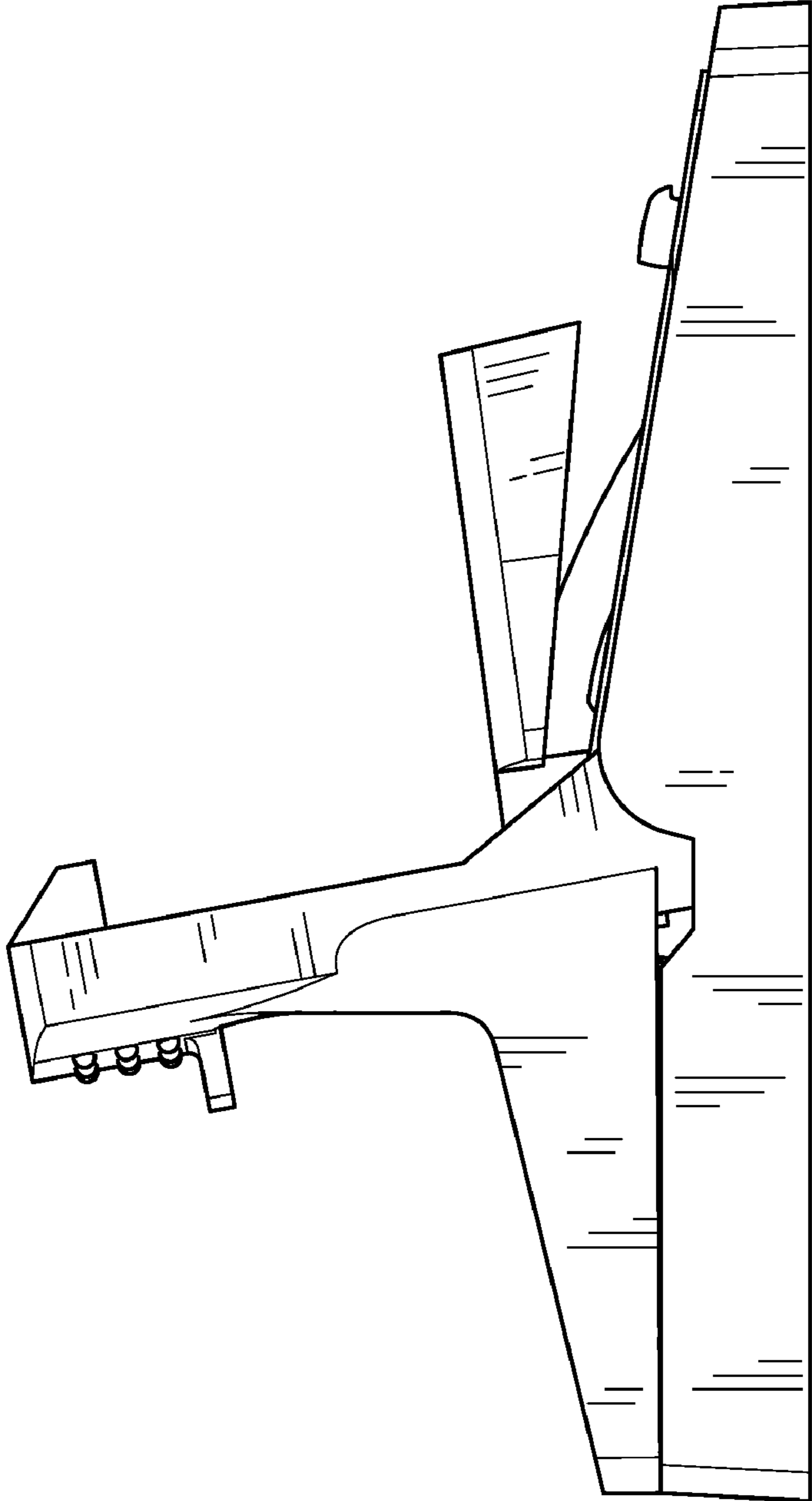


FIG. 5

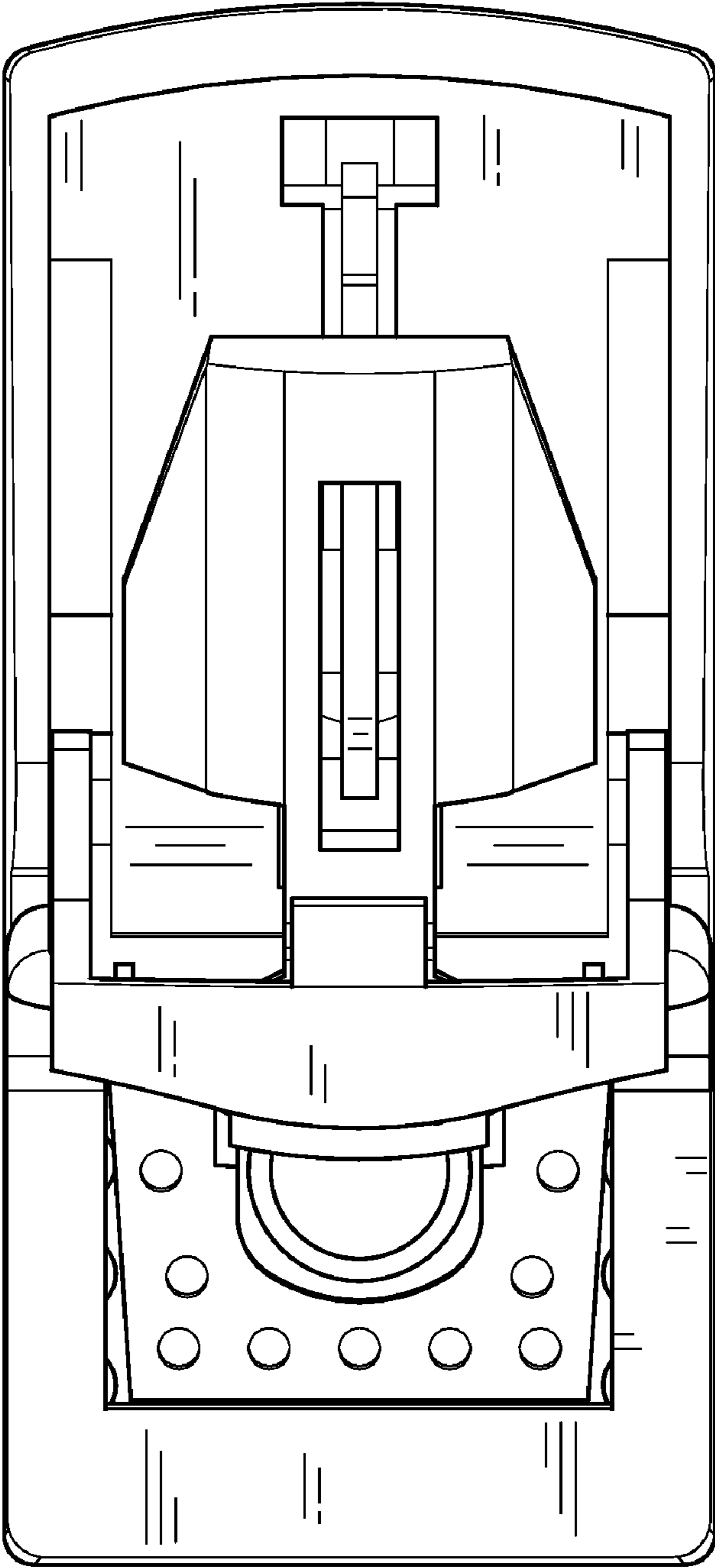


FIG. 6

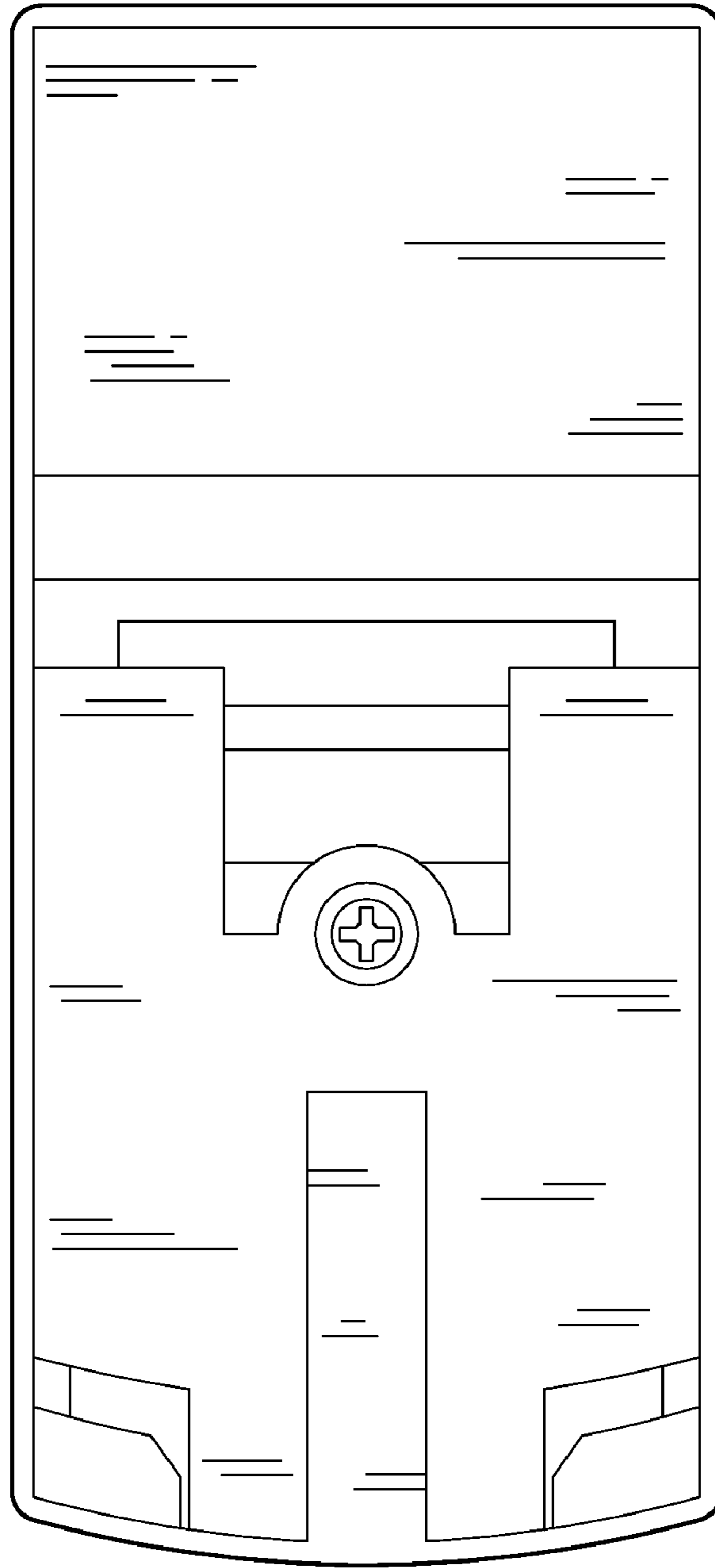


FIG. 7