



US00D616954S

(12) **United States Design Patent**
Flynn et al.

(10) **Patent No.:** **US D616,954 S**
(45) **Date of Patent:** **** Jun. 1, 2010**

(54) **POOL ISLAND**

(76) Inventors: **Denise M. Flynn**, P.O. Box 835, Willis, TX (US) 77378; **Susan McPike**, 11655 Lakeview Manor Dr., Willis, TX (US) 77318

(**) Term: **14 Years**

(21) Appl. No.: **29/316,992**

(22) Filed: **Nov. 16, 2009**

(51) **LOC (9) Cl.** **21-02**

(52) **U.S. Cl.** **D21/803**

(58) **Field of Classification Search** D21/769-770, D21/801, 803, 809; D6/392, 596, 601, 604; 472/128-129; D12/5, 6, 316; 114/253, 345-346; 441/35, 66, 40-42, 129-132

See application file for complete search history.

(56) **References Cited**

U.S. PATENT DOCUMENTS

- D320,711 S * 10/1991 Olsen D6/501
- 5,120,111 A * 6/1992 Cook 297/452.41
- 5,580,132 A * 12/1996 Rediske 297/452.41
- D426,097 S * 6/2000 Bortolotto et al. D6/604

- D504,045 S * 4/2005 Rediske D6/601
- D531,251 S * 10/2006 Peterson D21/809
- 7,300,104 B1 * 11/2007 Hagedorn 297/158.3
- D592,268 S * 5/2009 Montagnino D21/803

* cited by examiner

Primary Examiner—Janice E Seeger

Assistant Examiner—Zenya I Bennett

(74) *Attorney, Agent, or Firm*—Richard L. Mikesell

(57) **CLAIM**

The ornamental design for a pool island, as shown and described.

DESCRIPTION

FIG. 1: Top right perspective view;

FIG. 2: Top plan view;

FIG. 3: Side elevation (the sides are identical);

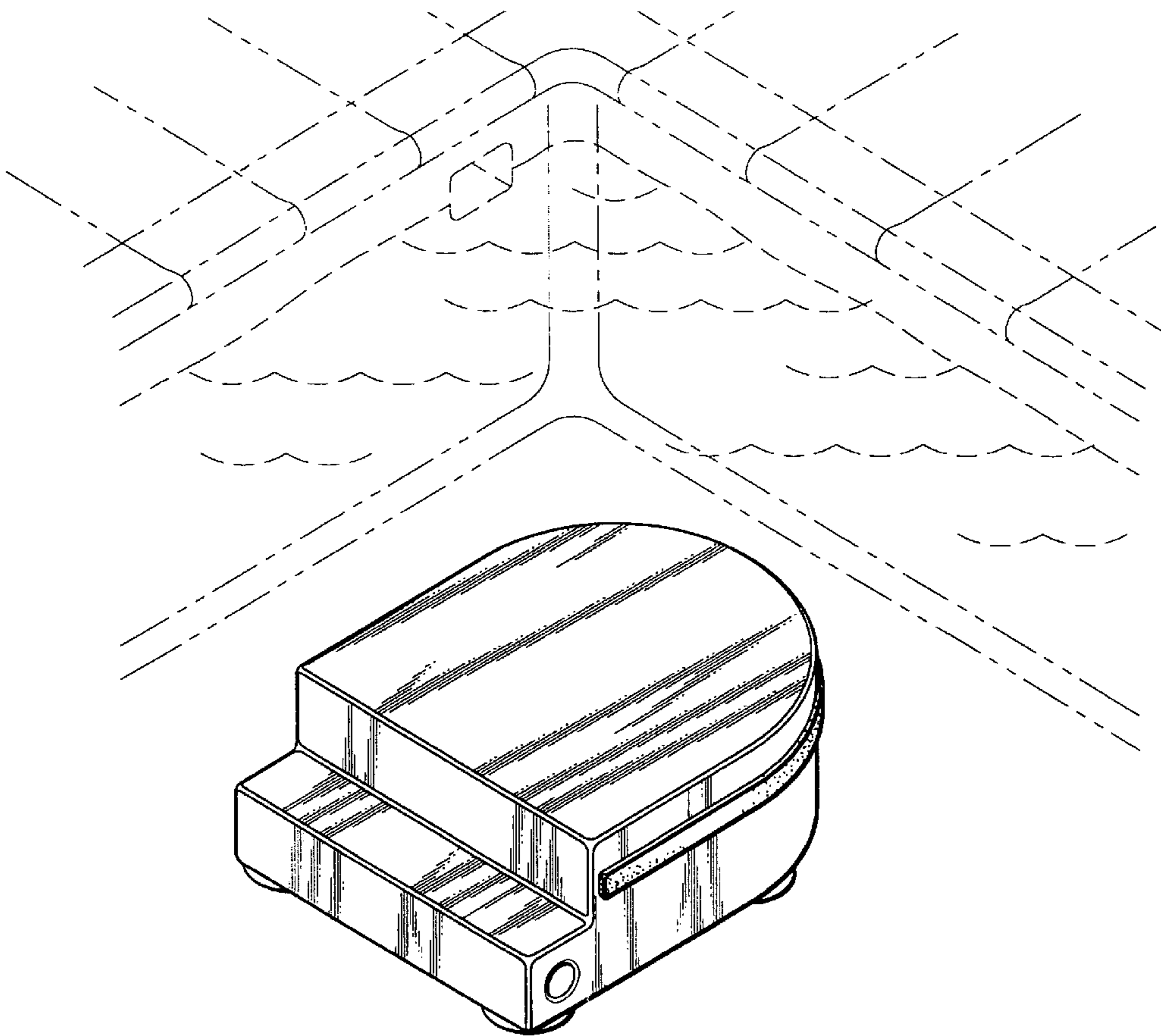
FIG. 4: Front elevation;

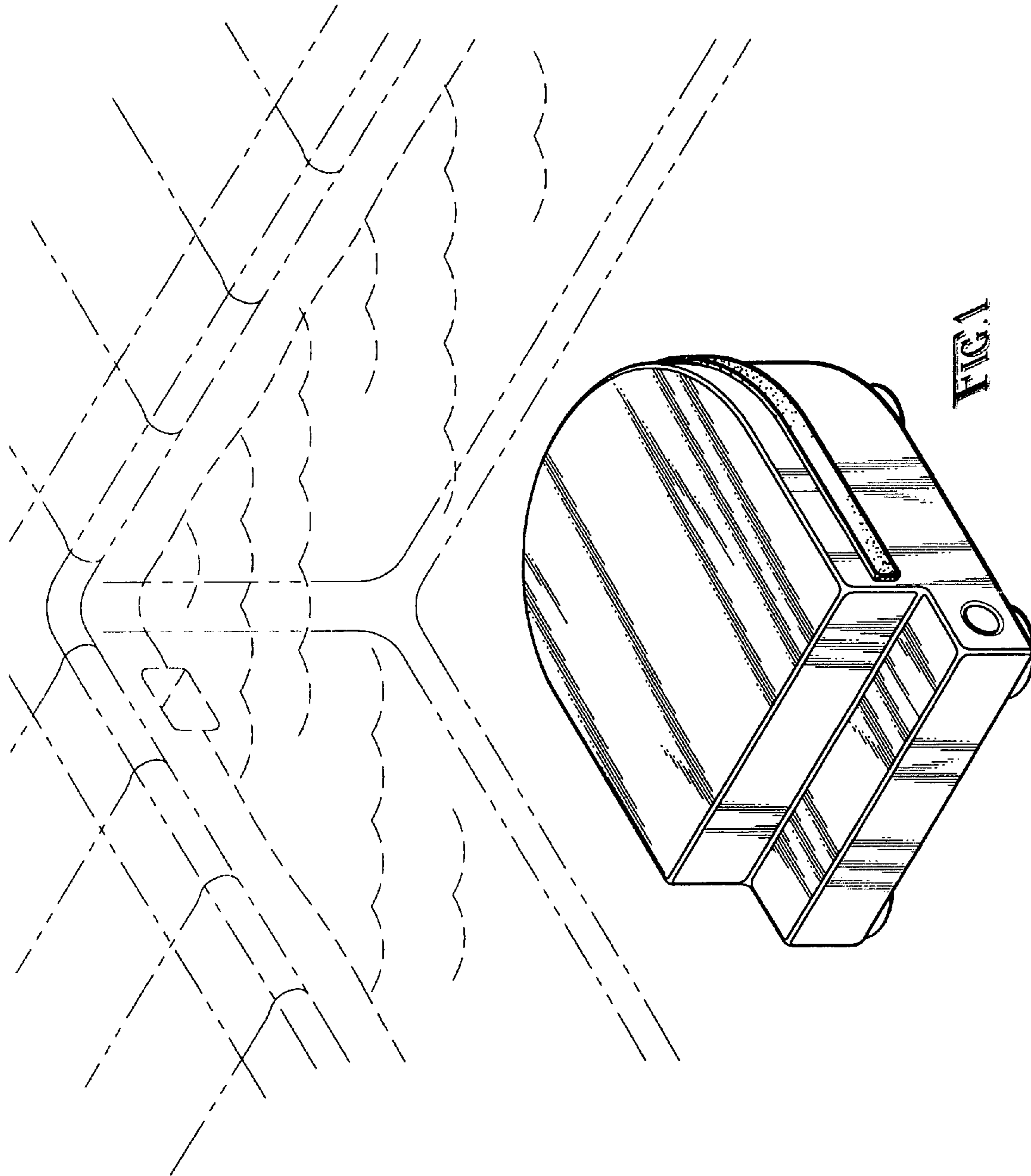
FIG. 5: Rear elevation; and,

FIG. 6: Bottom plan view.

The broken lines in the drawing are for illustrative purposes only and form no part of the claimed design.

1 Claim, 3 Drawing Sheets





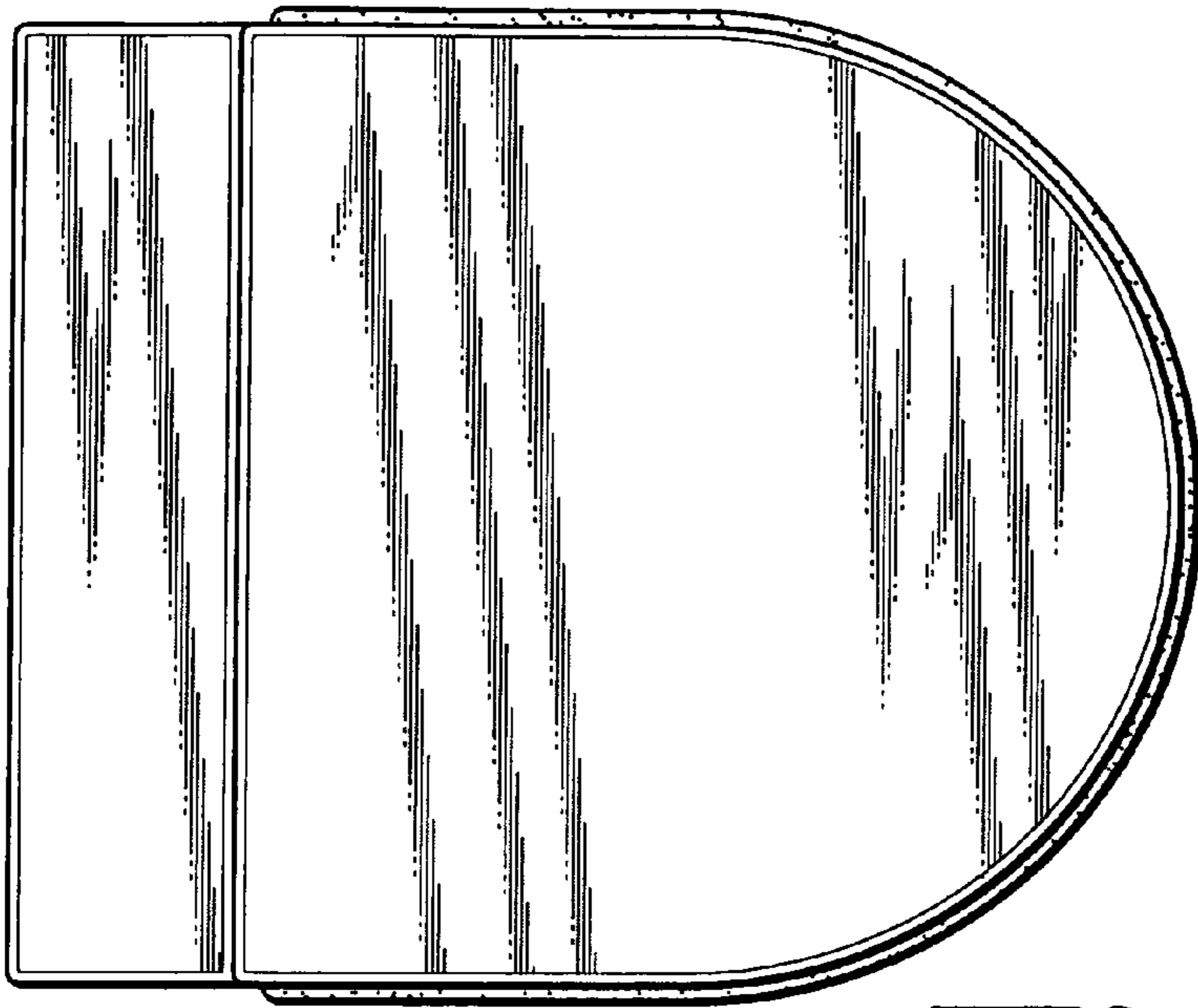


FIG. 2

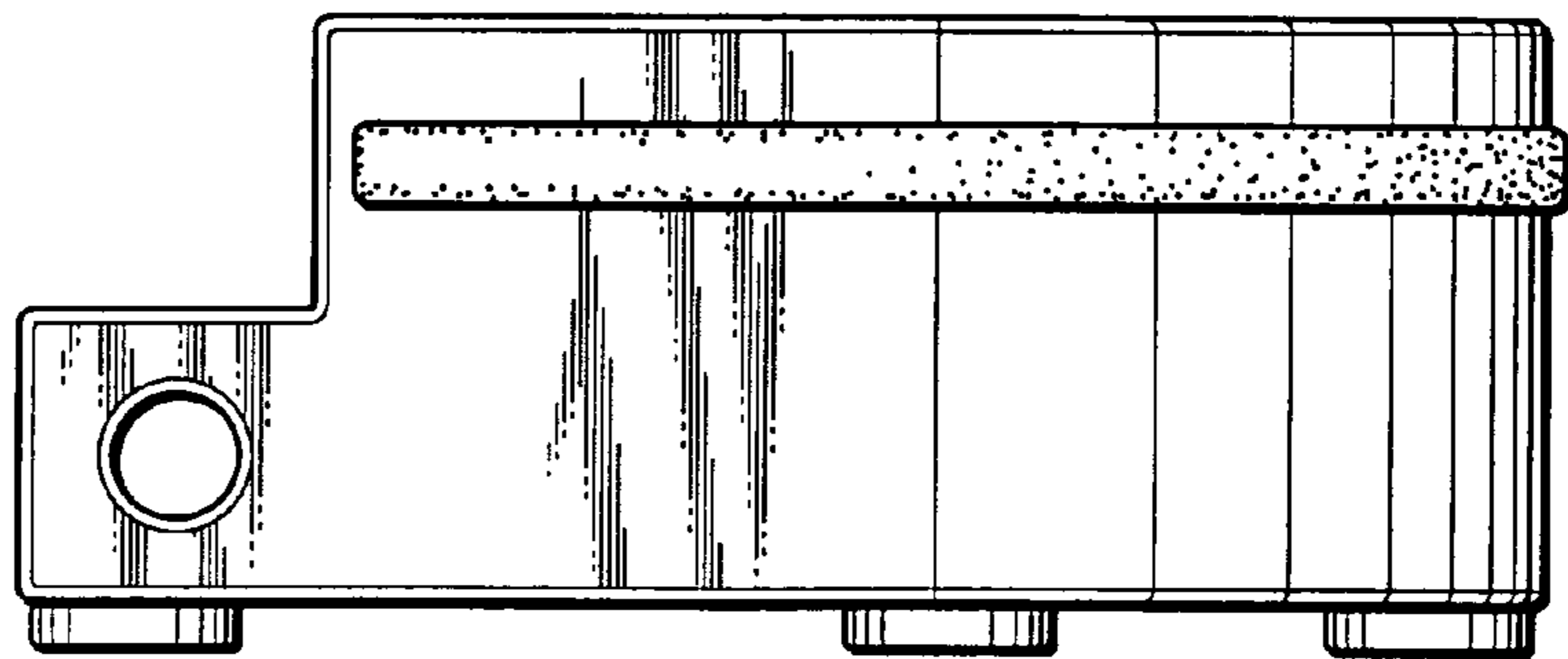


FIG. 3

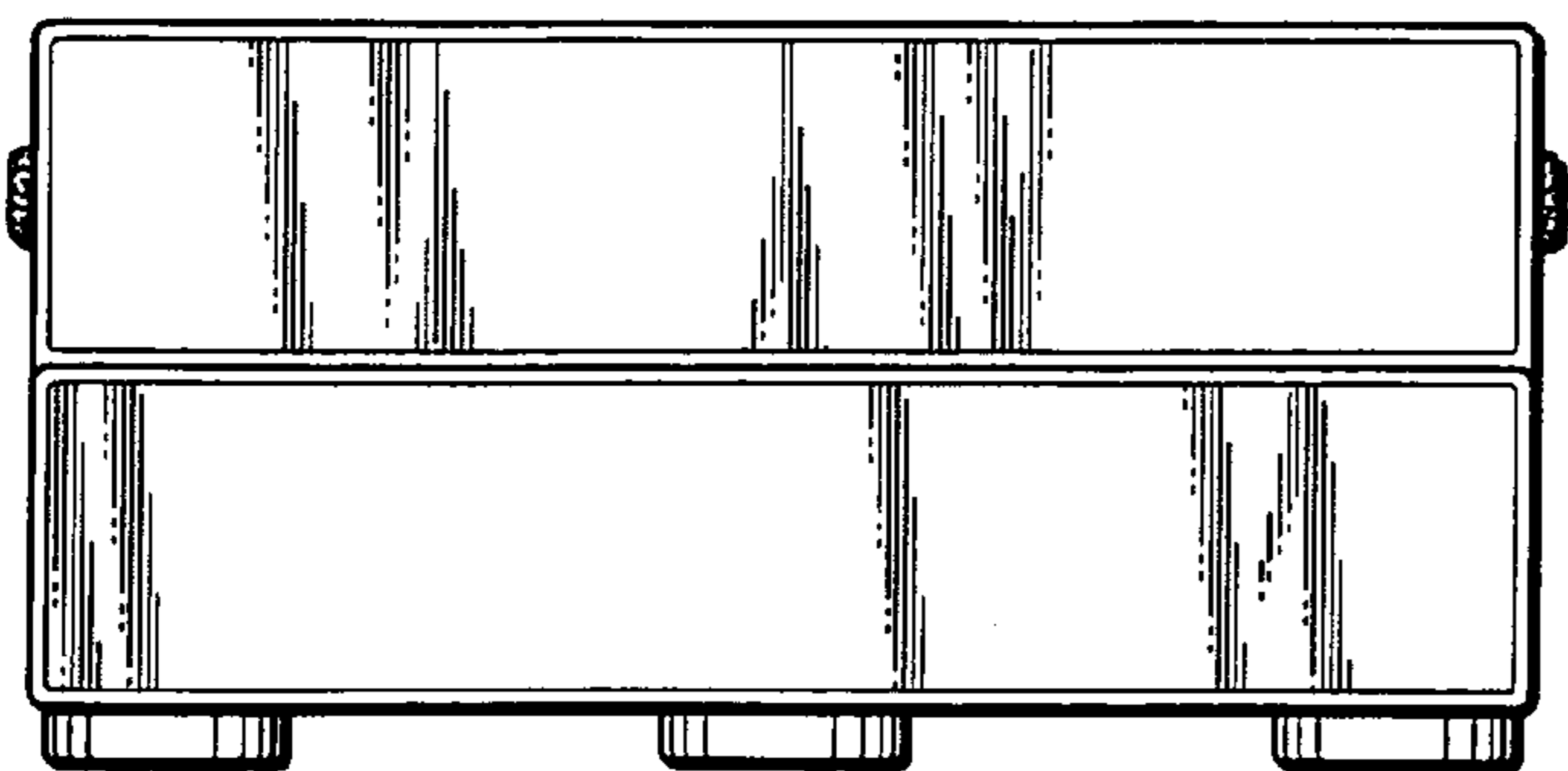


FIG. 4

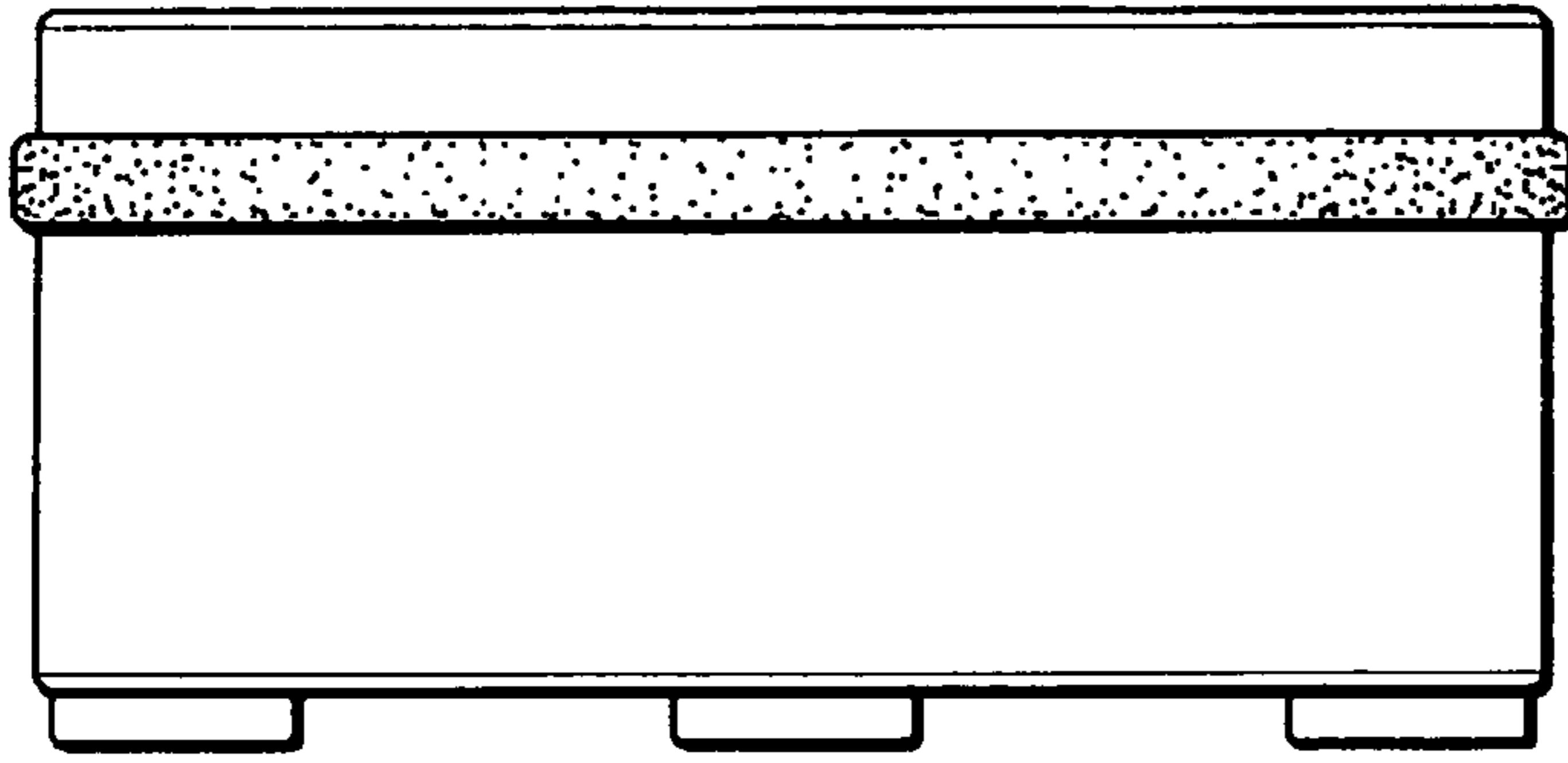


FIG. 5

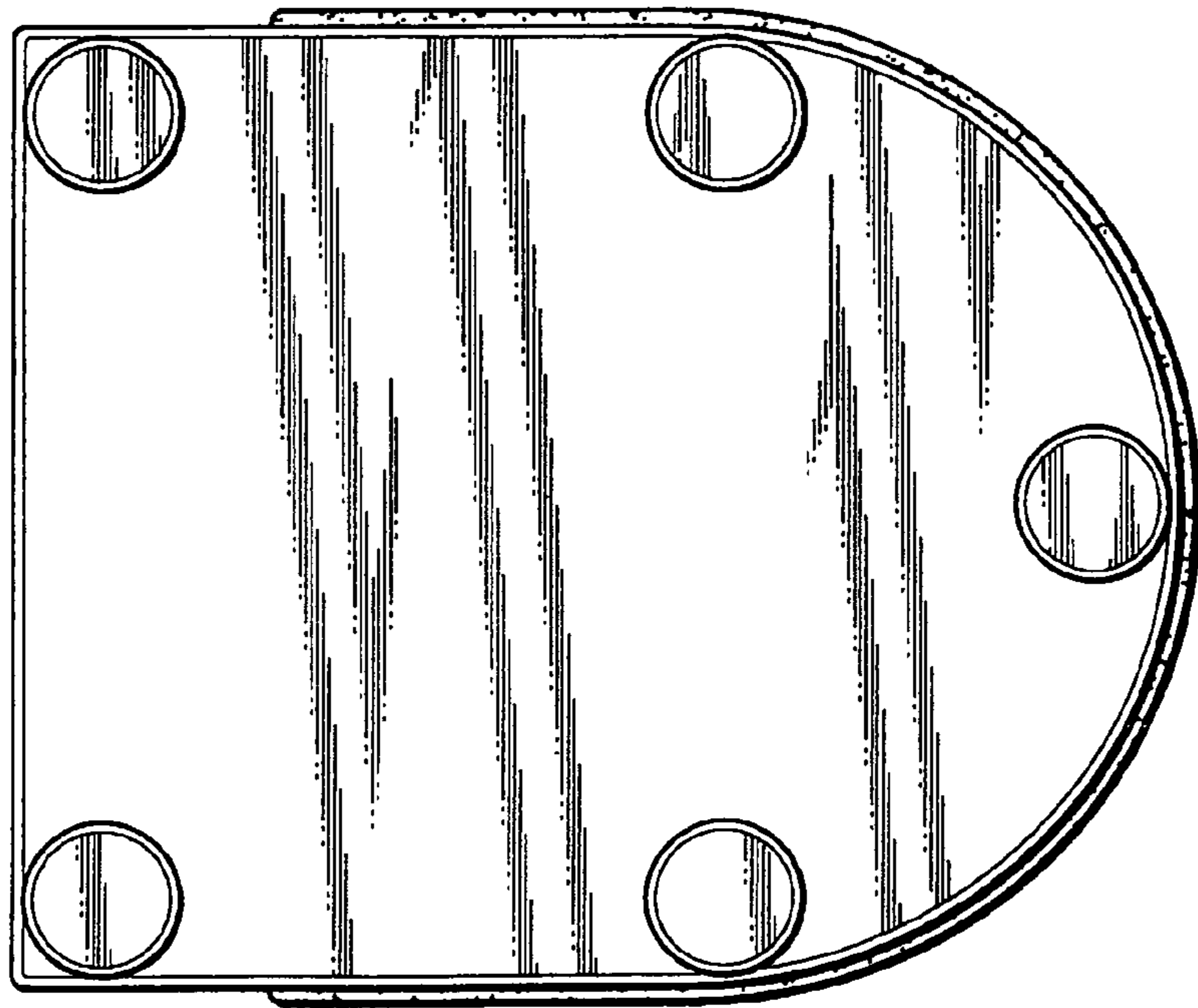


FIG. 6