



US00D616952S

(12) **United States Design Patent**
Oldknow

(10) **Patent No.:** **US D616,952 S**
(45) **Date of Patent:** **** Jun. 1, 2010**

(54) **GOLF CLUB HEAD**

(75) Inventor: **Andrew G. V. Oldknow**, Beaverton, OR (US)

(73) Assignee: **NIKE, Inc.**, Beaverton, OR (US)

(**) Term: **14 Years**

(21) Appl. No.: **29/346,795**

(22) Filed: **Nov. 5, 2009**

(51) **LOC (9) Cl.** **21-02**

(52) **U.S. Cl.** **D21/759**

(58) **Field of Classification Search** D21/733,
D21/752, 759; 473/324-331, 343-346

See application file for complete search history.

(56) **References Cited**

U.S. PATENT DOCUMENTS

D316,583 S 4/1991 Mahaffey et al.
D318,891 S 8/1991 Duclos

(Continued)

OTHER PUBLICATIONS

Taylor Made Ti Bubble 2 Woods and Burner Bubble Woods, Edwin Watts Catalog, Late Summer 1998, pp. 8 and 9.

(Continued)

Primary Examiner—Mitchell I Siegel

(74) *Attorney, Agent, or Firm*—Banner & Witcoff, Ltd.

(57) **CLAIM**

The ornamental design for a golf club head, as shown and described.

DESCRIPTION

FIG. 1 is a bottom perspective view of a golf club head showing my new design;

FIG. 2 is a bottom view thereof;

FIG. 3 is a rear view thereof;

FIG. 4 is a toe-end view thereof;

FIG. 5 is a heel-end view thereof;

FIG. 6 is a front view thereof;

FIG. 7 is a top view thereof;

FIG. 8 is a bottom perspective view of a second embodiment of a golf club head showing my new design;

FIG. 9 is a bottom view thereof;

FIG. 10 is a rear view thereof;

FIG. 11 is a toe-end view thereof;

FIG. 12 is a heel-end view thereof;

FIG. 13 is a front view thereof;

FIG. 14 is a top view thereof;

FIG. 15 is a bottom perspective view of the golf club head of FIGS. 1-7 with disclaimed environmental structure lines removed to depict more clearly the claimed region;

FIG. 16 is bottom view thereof;

FIG. 17 is a rear view thereof;

FIG. 18 is a toe-end view thereof;

FIG. 19 is a heel-end view thereof;

FIG. 20 is a front view thereof;

FIG. 21 is a top view thereof;

FIG. 22 is a bottom perspective view of the golf club head of FIGS. 8-14 with disclaimed environmental structure lines removed to depict more clearly the claimed region;

FIG. 23 is bottom view thereof;

FIG. 24 is a rear view thereof;

FIG. 25 is a toe-end view thereof;

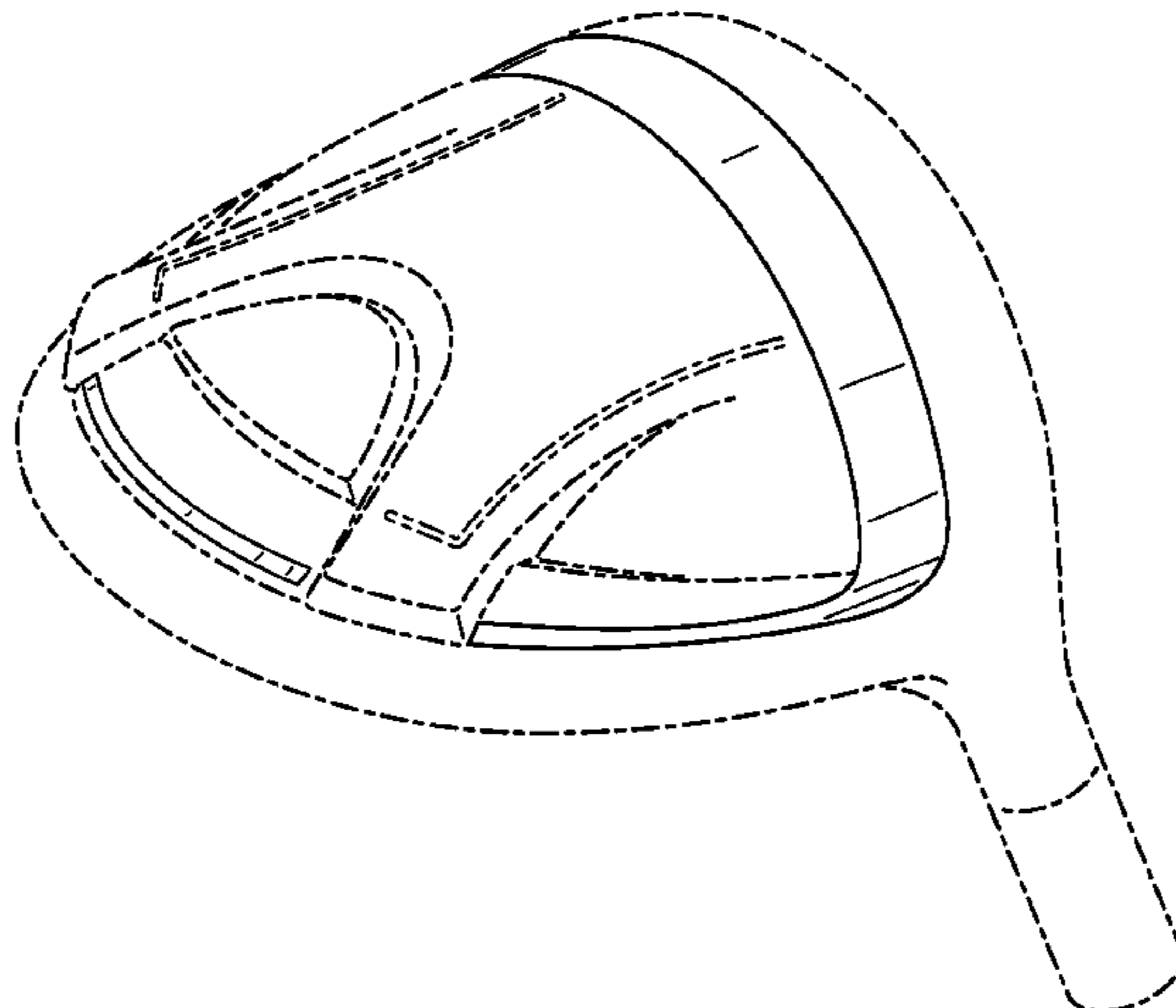
FIG. 26 is a heel-end view thereof;

FIG. 27 is a front view thereof; and,

FIG. 28 is a top view thereof.

The broken line showing of the remainder of the golf club head is for environmental purposes only and forms no part of the claimed design.

1 Claim, 16 Drawing Sheets



US D616,952 S

Page 2

U.S. PATENT DOCUMENTS

5,203,565	A	4/1993	Murray et al.		
5,547,188	A	8/1996	Dumontier et al.		
D379,391	S	5/1997	Moore		
D383,818	S	9/1997	Williams, Jr.		
D385,003	S	10/1997	Burrows		
D390,294	S	2/1998	Burrows		
D390,295	S	2/1998	Burrows		
D390,616	S	2/1998	Maltby		
5,720,674	A	2/1998	Galy		
D396,512	S	7/1998	Besnard et al.		
D397,749	S	9/1998	Burrows		
D398,681	S	9/1998	Galy		
D398,682	S	9/1998	Moore		
D401,299	S	11/1998	Burrows		
D403,037	S	12/1998	Stone et al.		
D411,600	S	6/1999	Antonious		
D413,642	S	9/1999	Burrows		
D413,953	S	9/1999	Burrows		
5,971,867	A	10/1999	Galy		
5,989,134	A	11/1999	Antonious		
D417,478	S	12/1999	Nagahama et al.		
D422,327	S *	4/2000	Takaoka et al.	D21/733	
D426,268	S *	6/2000	Ortiz	D21/752	
6,102,813	A	8/2000	Dill		
D433,073	S *	10/2000	Sodano	D21/752	
D438,583	S	3/2001	O'Doherty et al.		
D444,522	S	7/2001	Crousore		
6,257,991	B1	7/2001	Ortiz		
D458,325	S	6/2002	Antonious		
D463,516	S	9/2002	Antonious		
6,530,847	B1	3/2003	Antonious		
D502,232	S	2/2005	Antonious		
6,855,068	B2	2/2005	Antonious		
6,860,818	B2	3/2005	Mahaffey et al.		
6,890,267	B2	5/2005	Mahaffey et al.		
6,988,960	B2 *	1/2006	Mahaffey et al.	473/345	
D516,147	S	2/2006	Imamoto		
D523,498	S *	6/2006	Chen et al.	D21/733	
D531,244	S	10/2006	Gilbert et al.		
D532,068	S	11/2006	Tang et al.		
D538,369	S	3/2007	Gilbert et al.		
D541,363	S	4/2007	Gilbert et al.		
D550,800	S *	9/2007	Ruggiero et al.	D21/759	
D561,284	S *	2/2008	Nagai et al.	D21/759	
D564,611	S *	3/2008	Llewellyn et al.	D21/759	
D564,612	S	3/2008	Oldknow et al.		
D565,137	S	3/2008	Oldknow et al.		
D565,141	S	3/2008	Oldknow et al.		
D565,142	S	3/2008	Oldknow et al.		
D572,324	S	7/2008	Chen et al.		
D574,049	S	7/2008	Kadoya		
D578,174	S	10/2008	Tang et al.		
D578,588	S	10/2008	Oldknow et al.		
D578,591	S	10/2008	Oldknow et al.		
D588,223	S	3/2009	Kuan		
D589,105	S *	3/2009	Oldknow	D21/759	
D589,106	S *	3/2009	Oldknow	D21/759	
D589,107	S *	3/2009	Oldknow	D21/759	
D589,108	S *	3/2009	Oldknow	D21/759	
D595,370	S	6/2009	Ines et al.		
D599,870	S	9/2009	Serrano et al.		
D600,295	S	9/2009	Meeks		
D600,762	S	9/2009	Serrano et al.		

OTHER PUBLICATIONS

Lynx Black Cat Series, Edwin Watts Catalog, Late Summer 1998, p. 23.
 AVDP XLS Metal Woods, Edwin Watts Catalog, Summer 1998, p. 24.
 Players Offset Woods, Players Brochure, p. 2. Date unknown but prior to filing date of the current application.
 Golfsmith Cermet 2000 Driver Head, Golfsmith Catalog, 1998, p. 49.
 Nicklaus Dual Point Fastback Drivers, Austad's Golf Catalog, Spring 2008, p. 16.
 Nickent Hybrids, Austad's Golf Catalog, Spring 2008, p. 17.
 Harvey Penick Plus Driver Head, Harvey Penick Catalog 1997, p. 8.

* cited by examiner

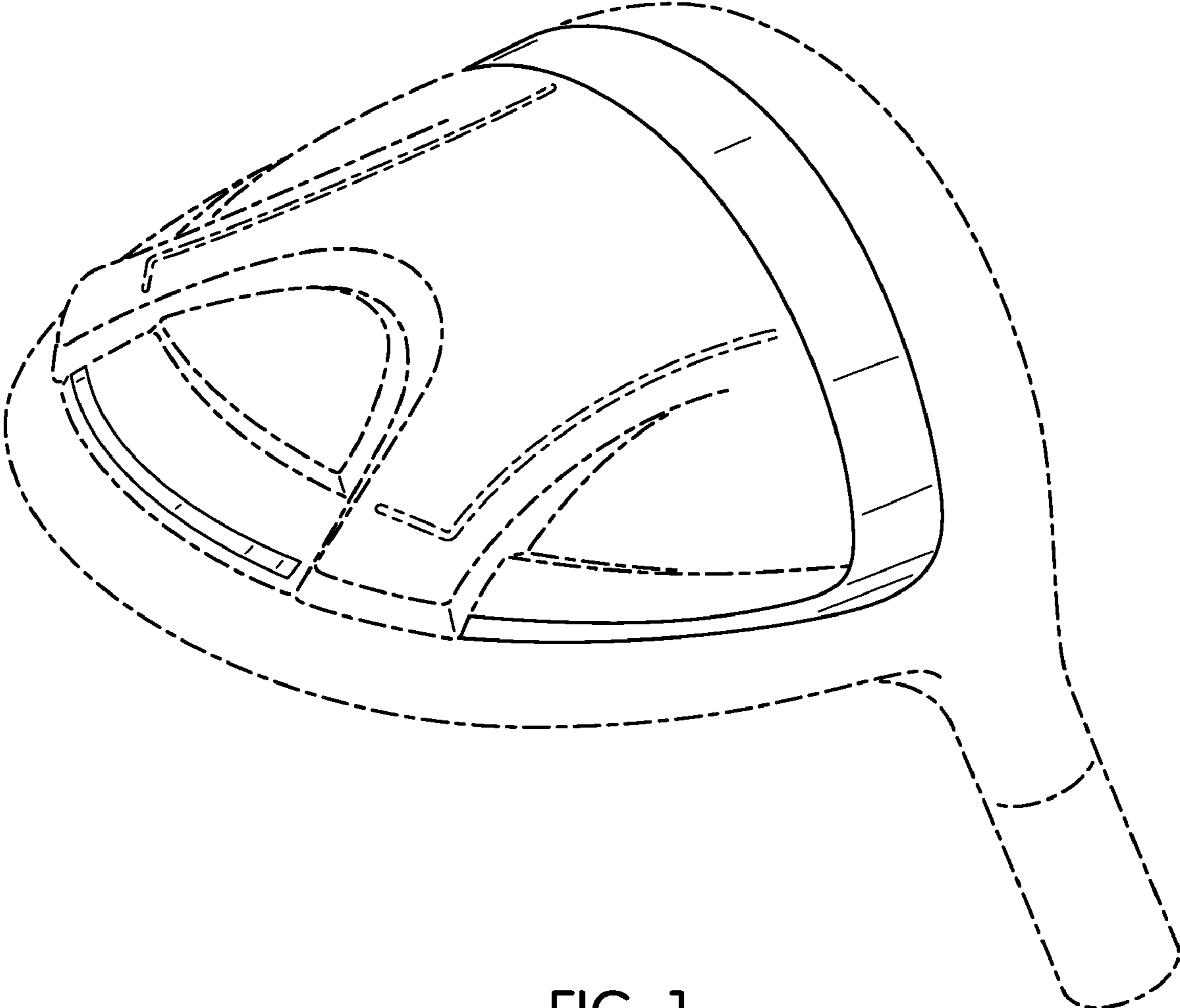


FIG. 1

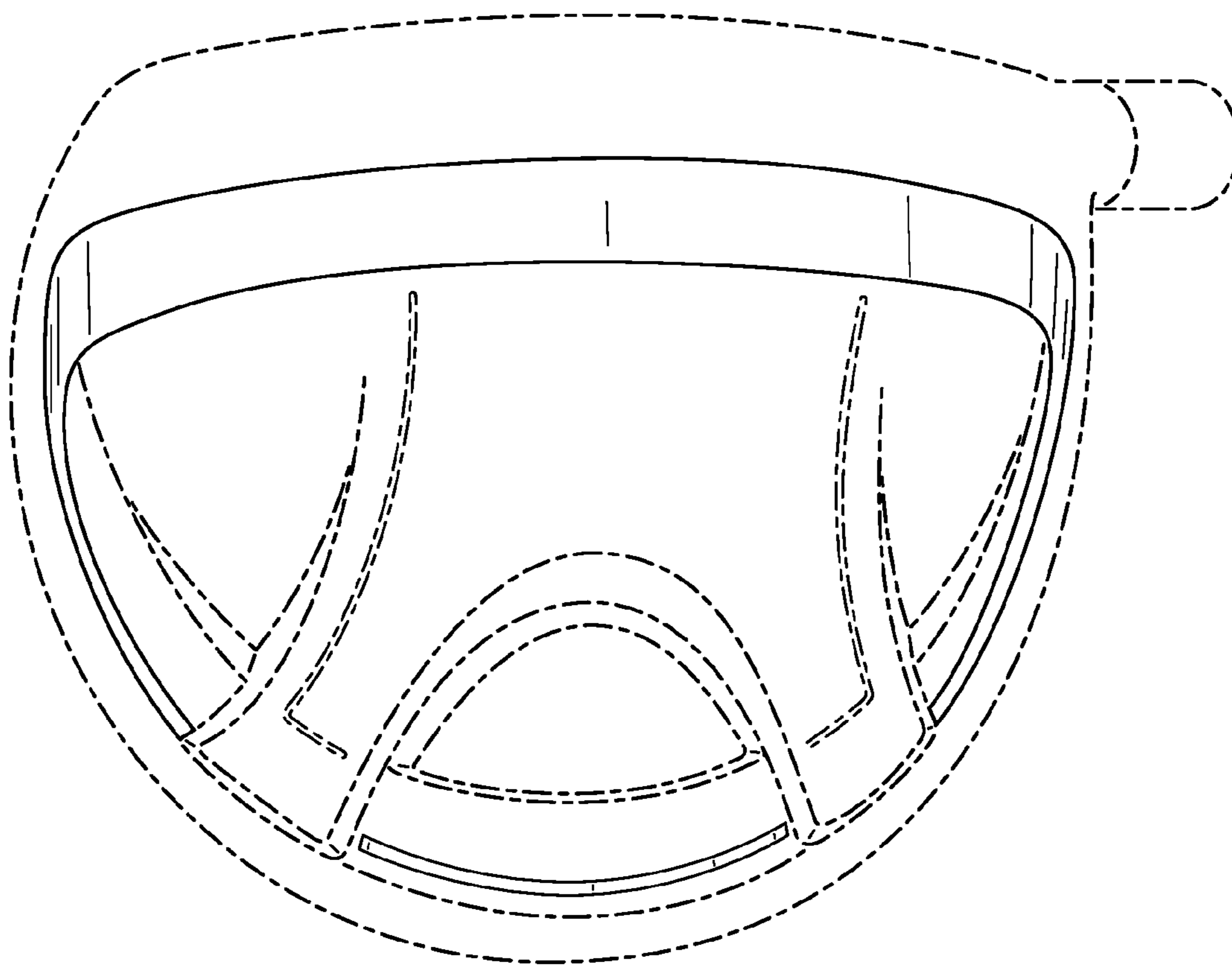


FIG. 2

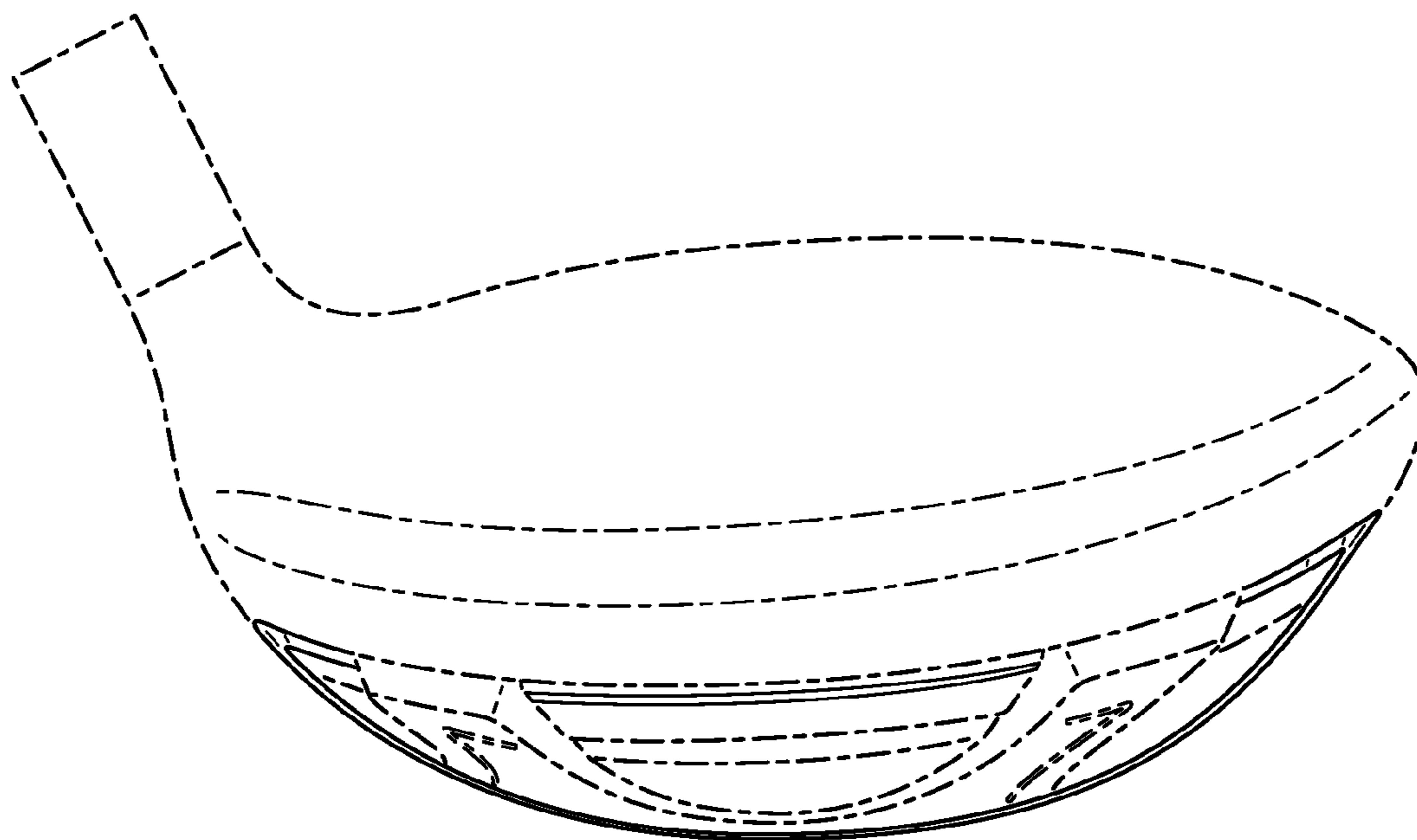


FIG. 3

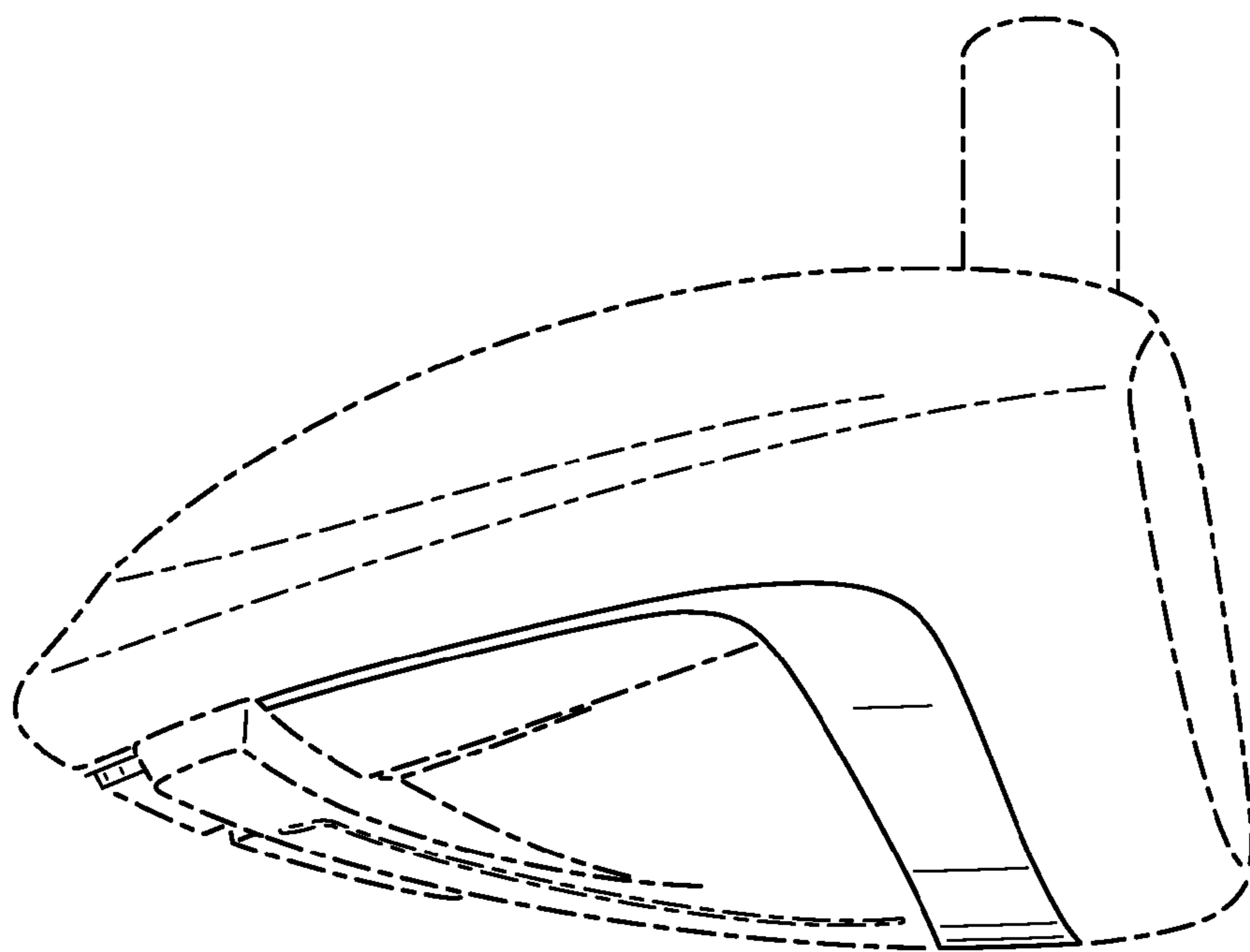


FIG. 4

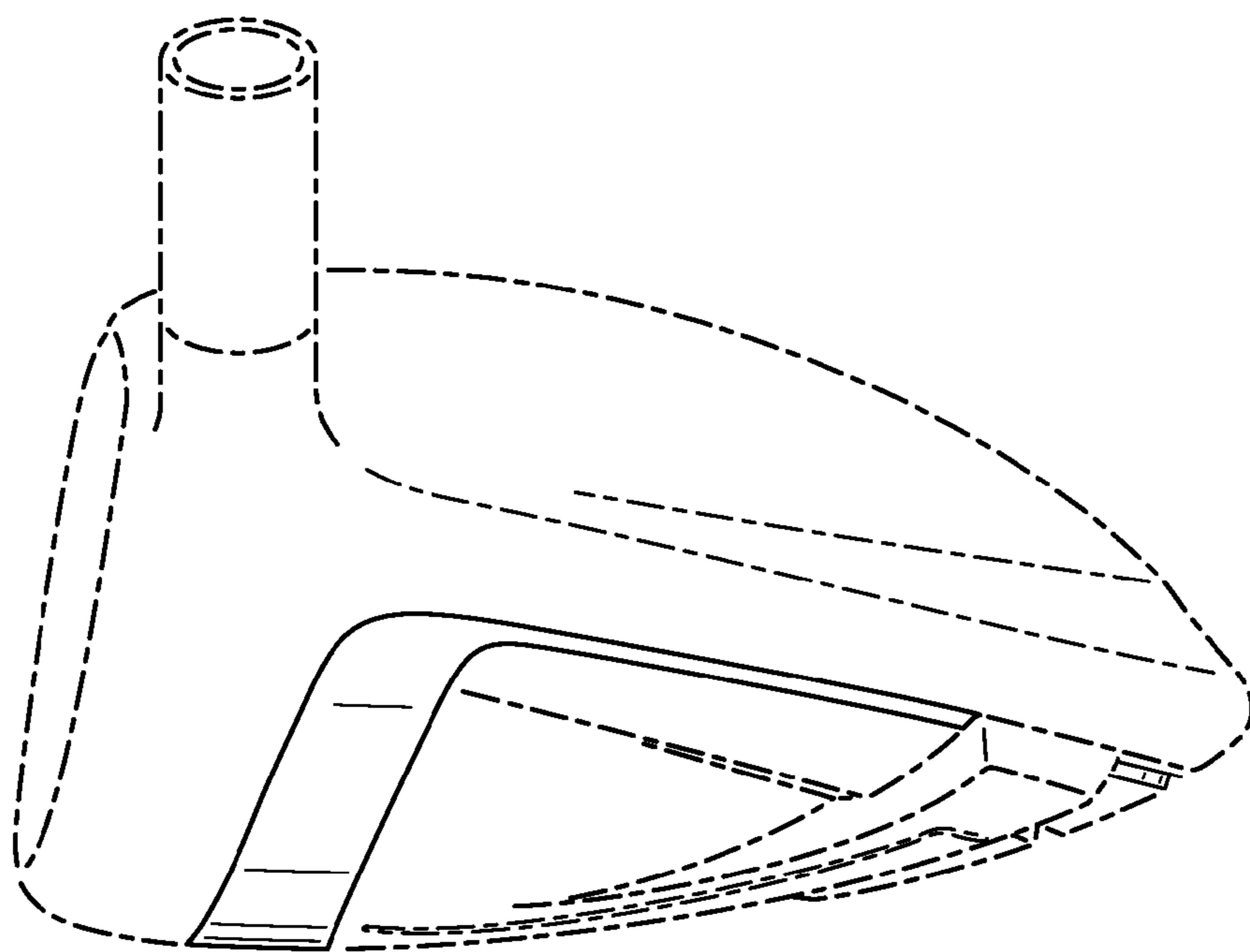


FIG. 5

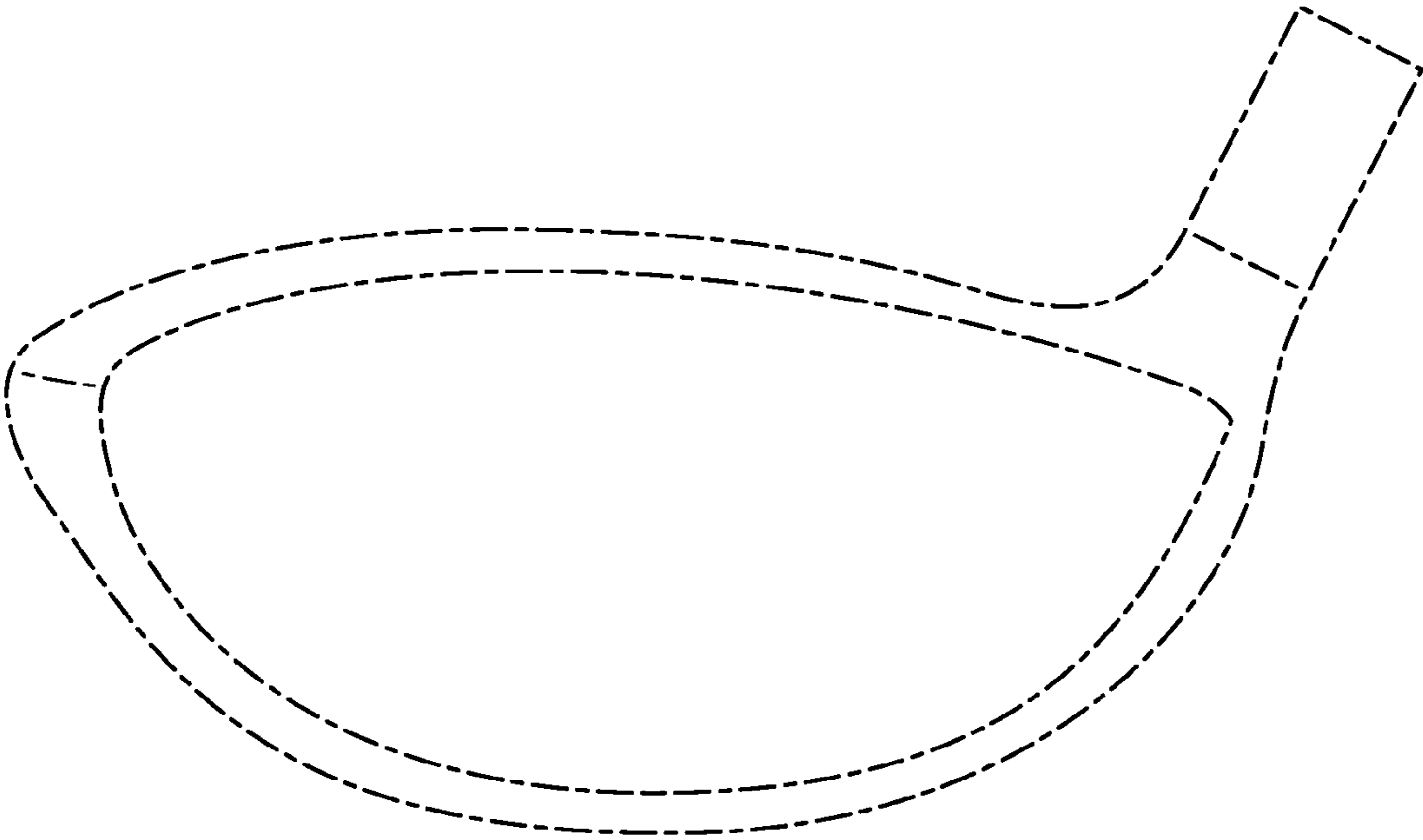


FIG. 6

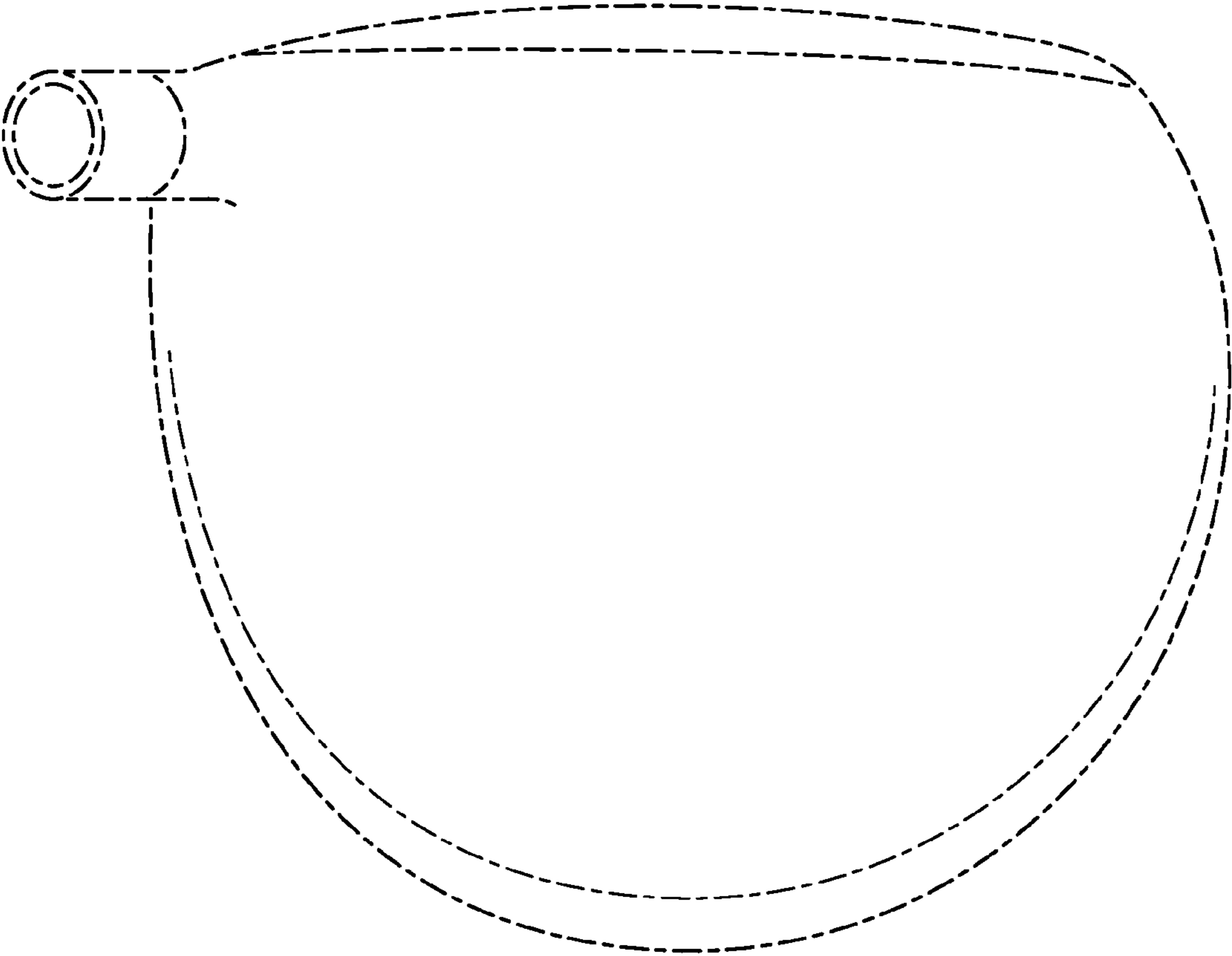


FIG. 7

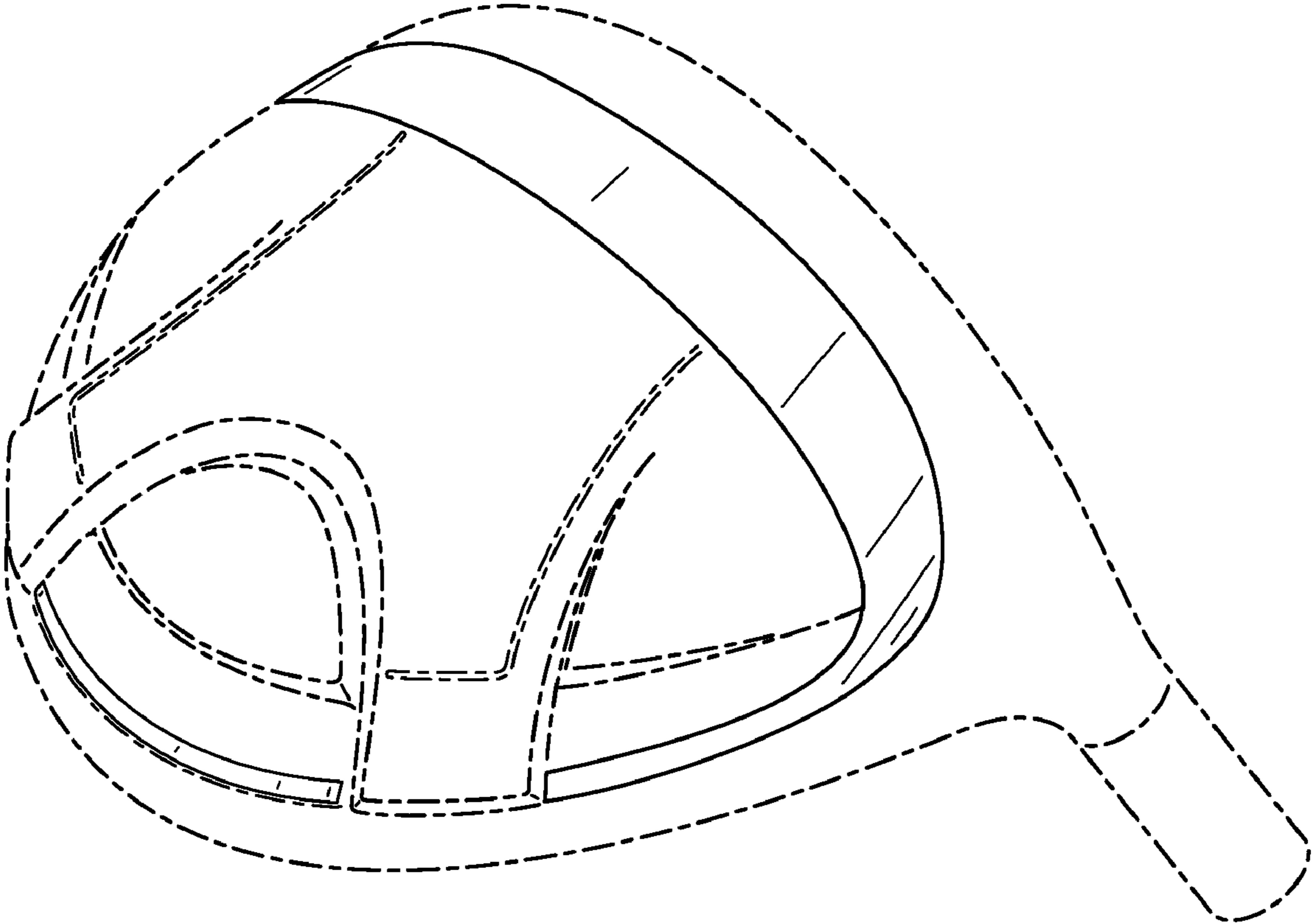


FIG. 8

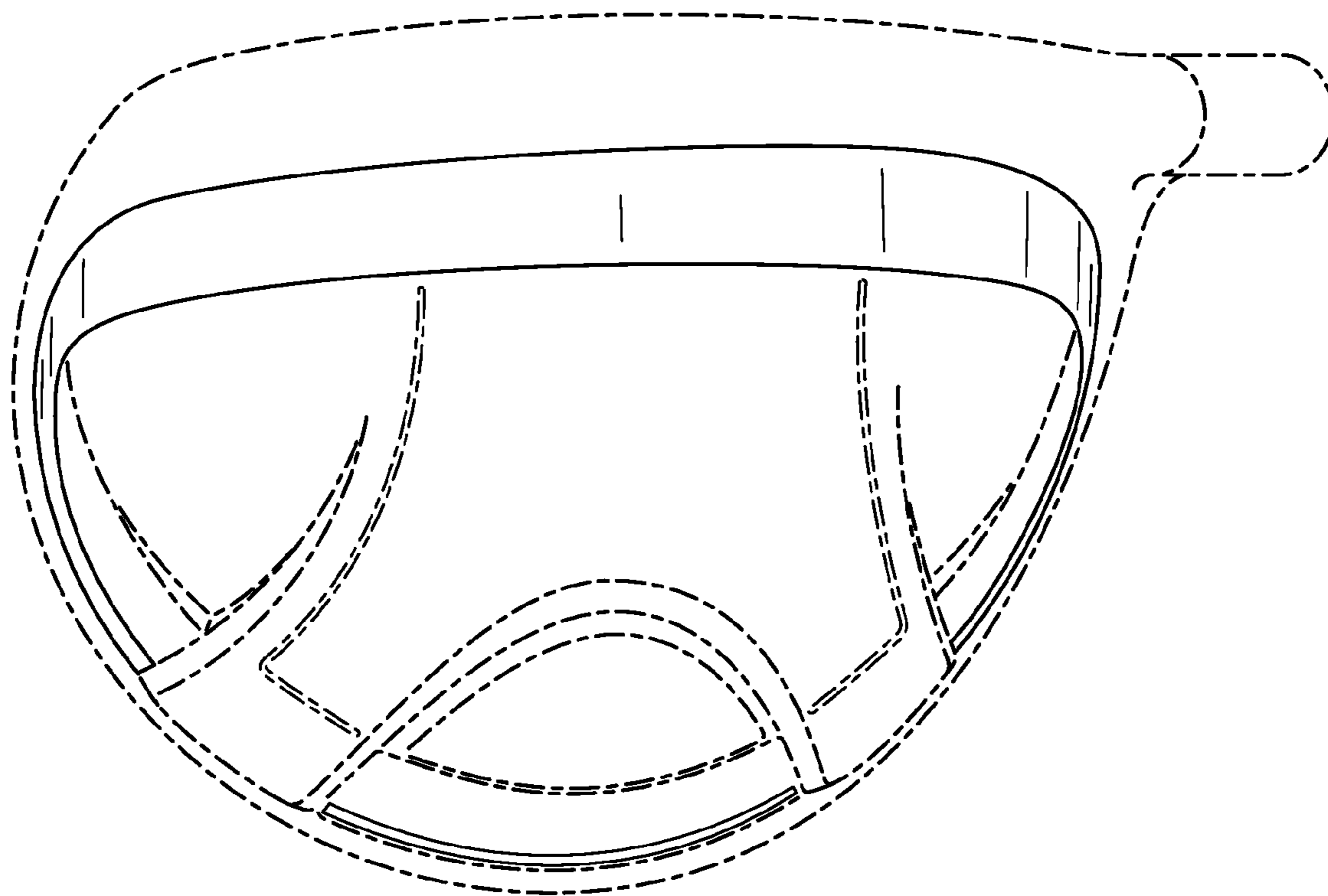


FIG. 9

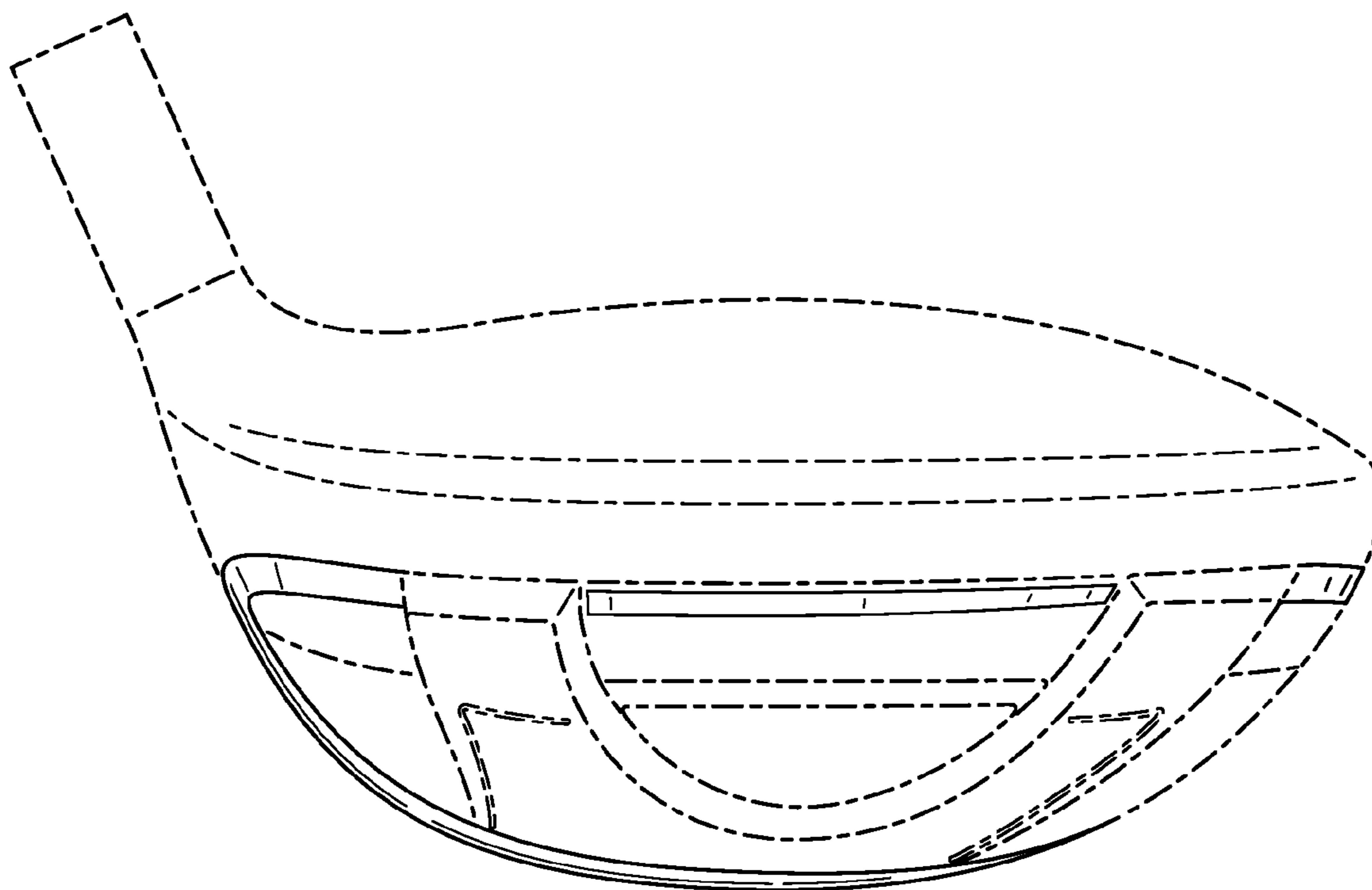


FIG. 10

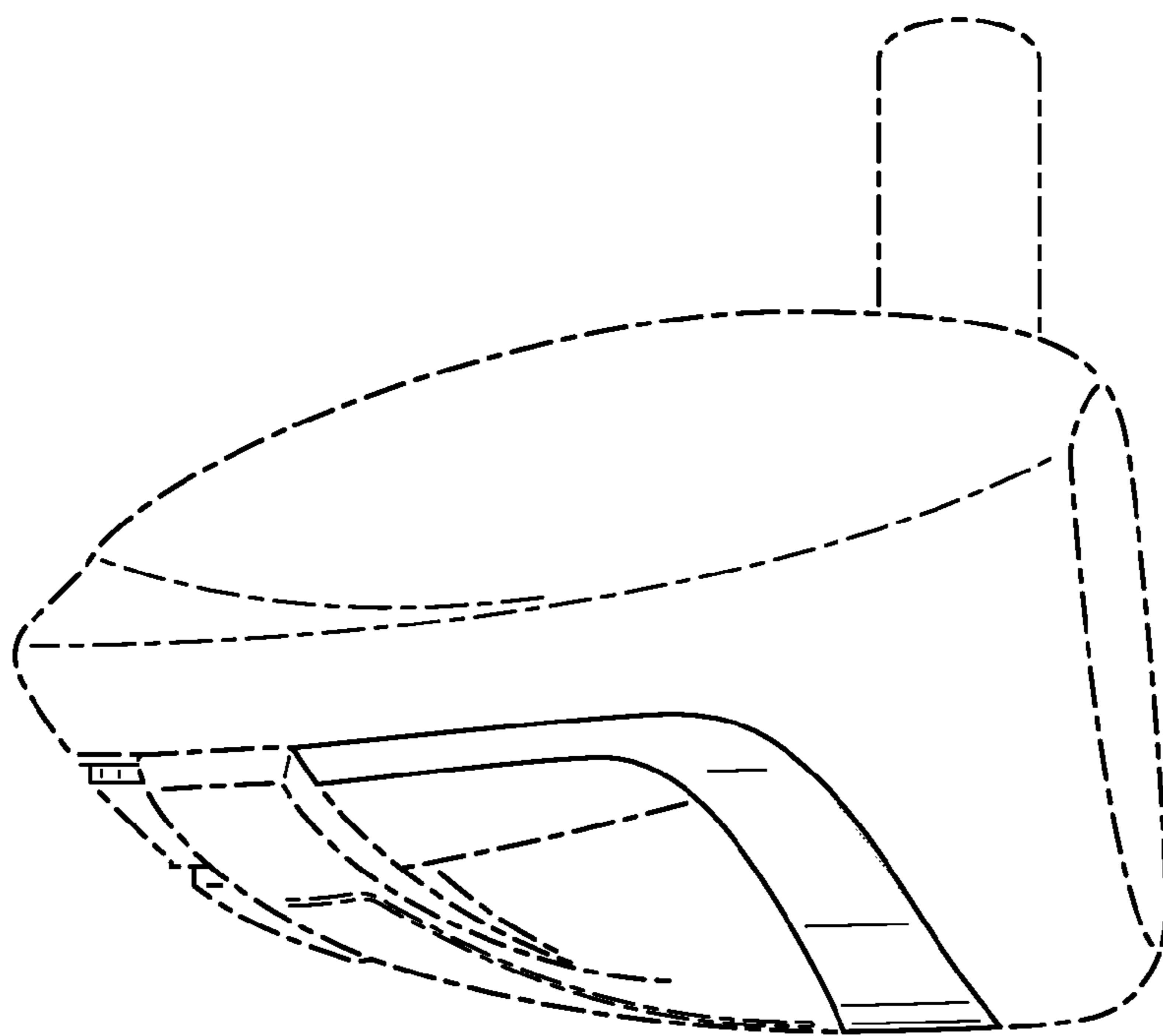


FIG. 11

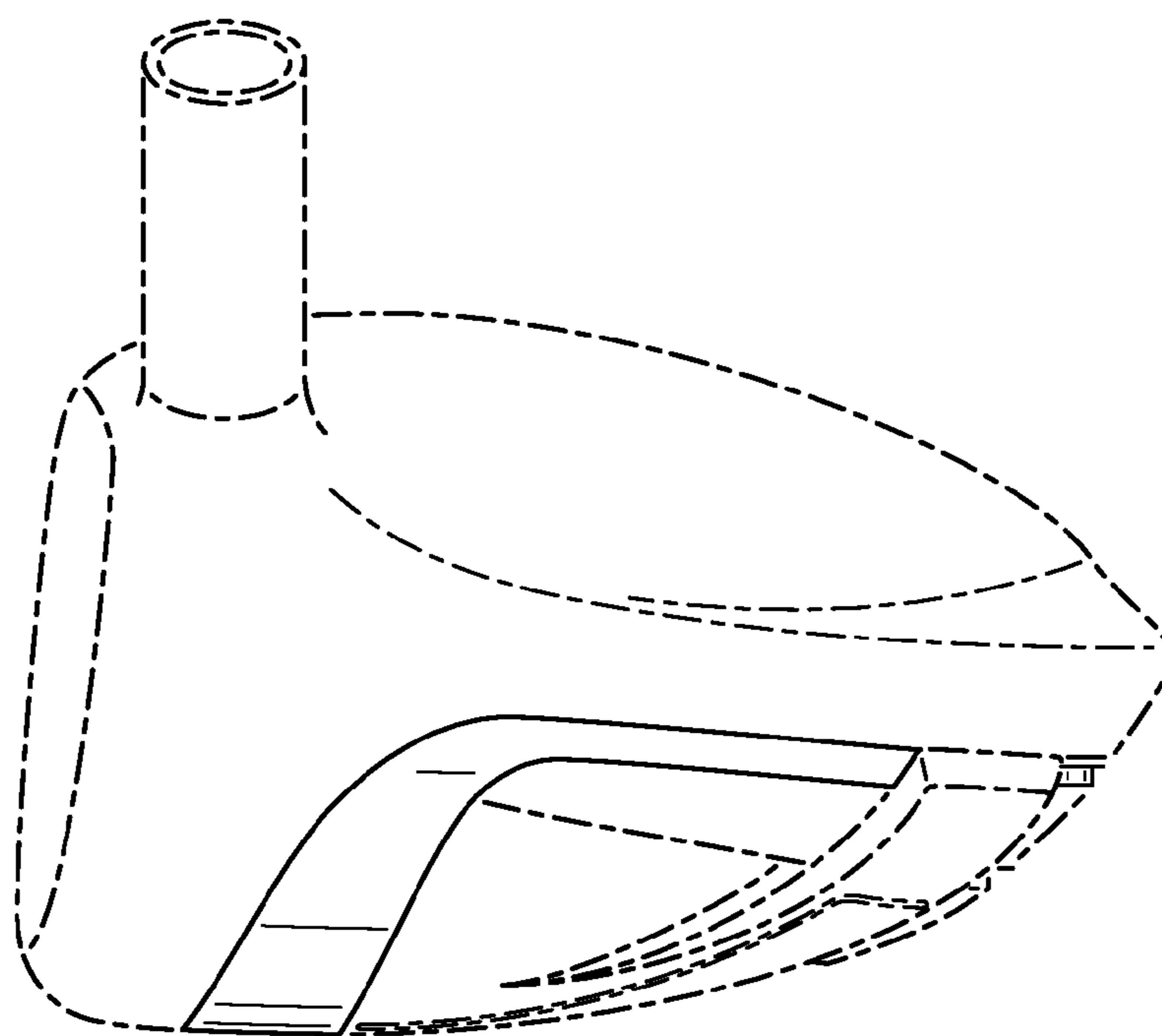


FIG. 12

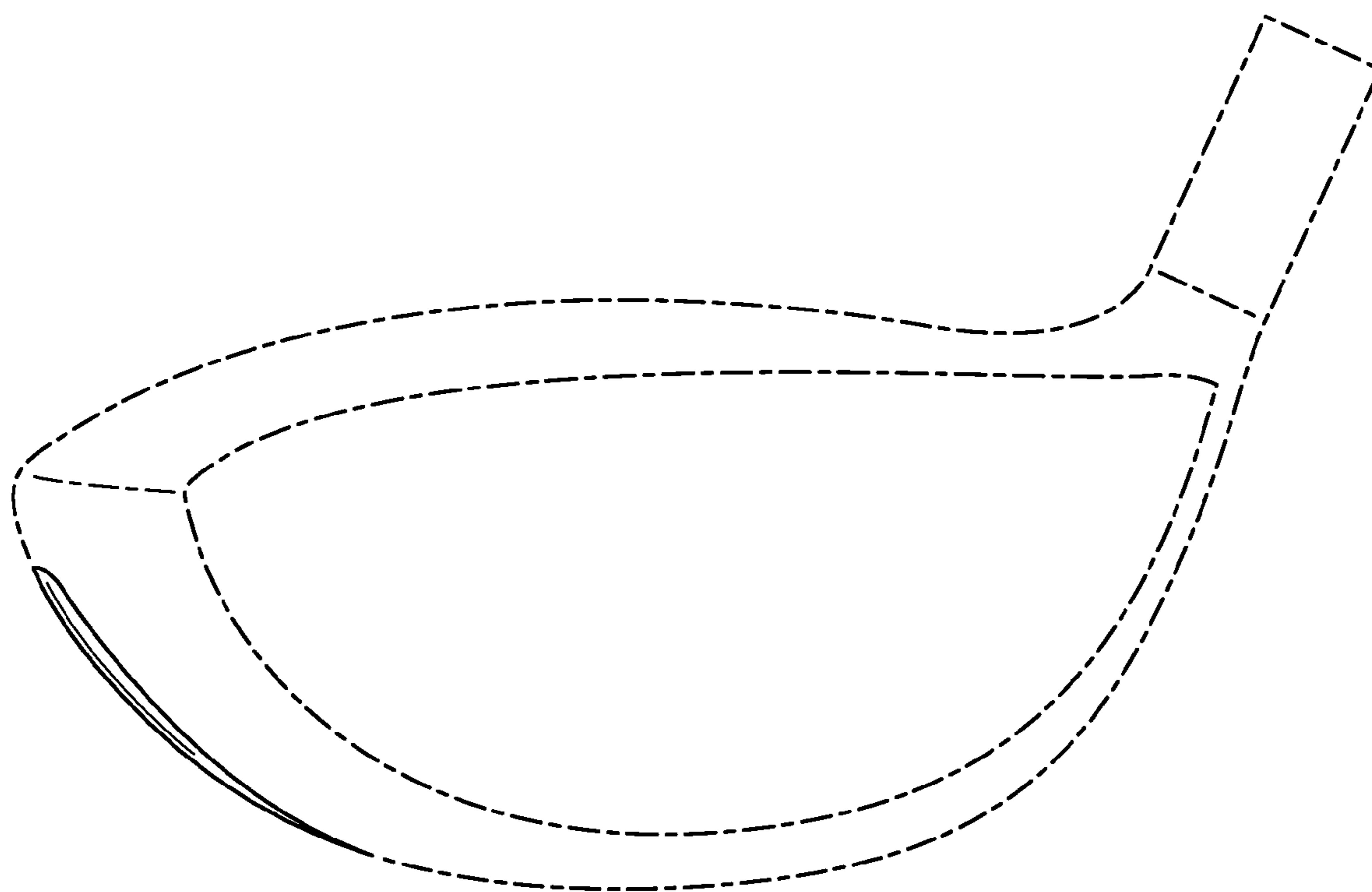


FIG. 13

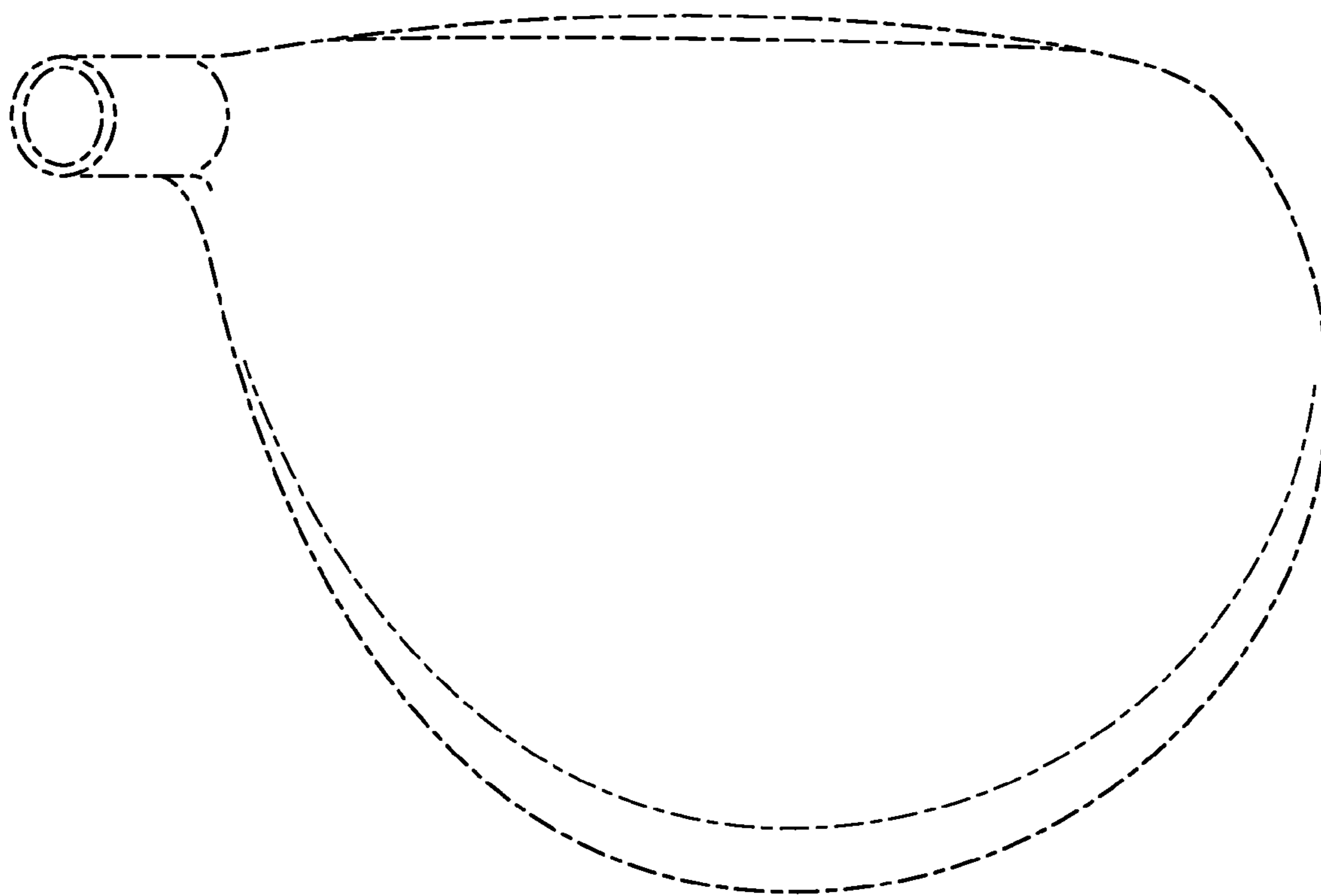


FIG. 14

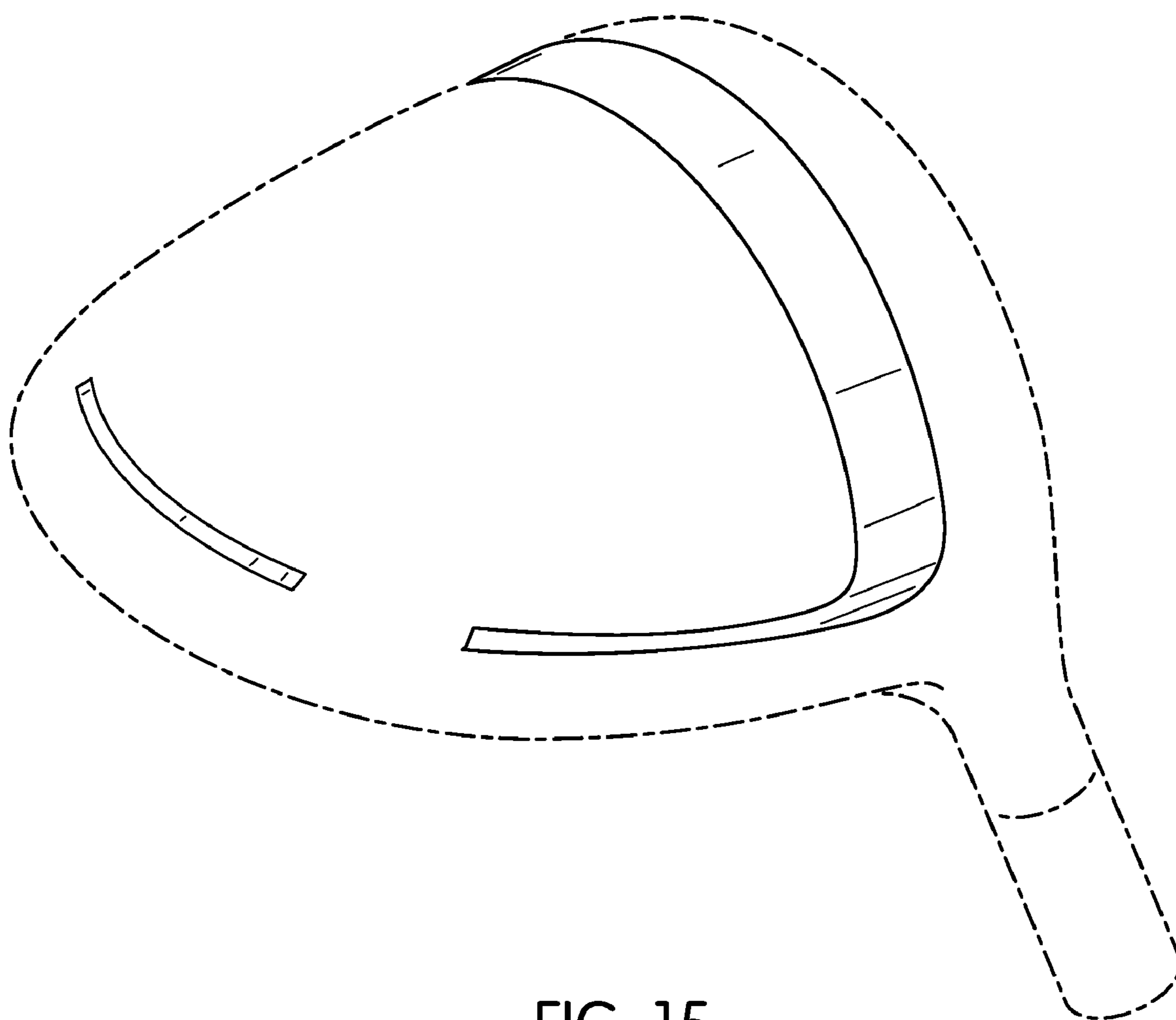


FIG. 15

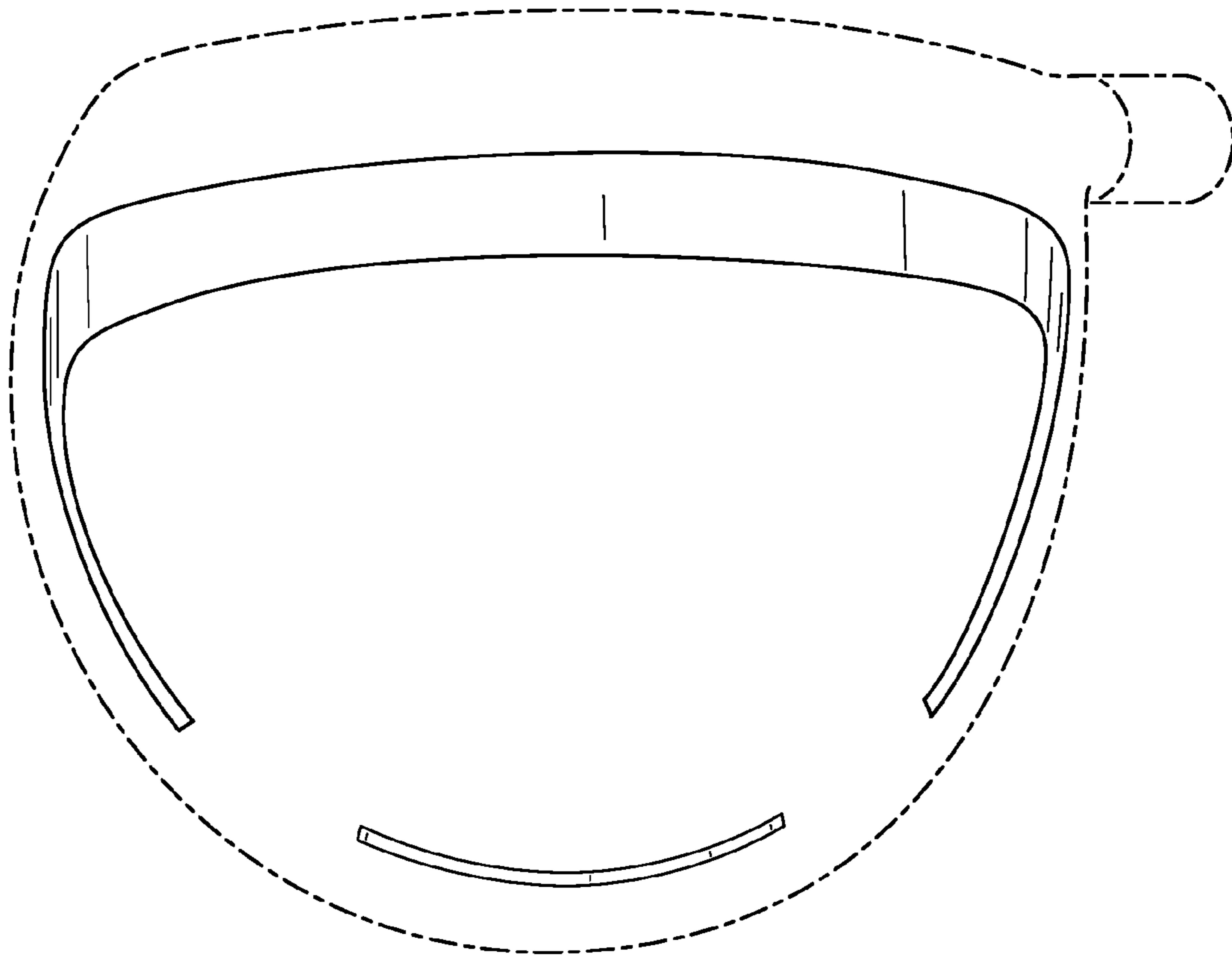


FIG. 16

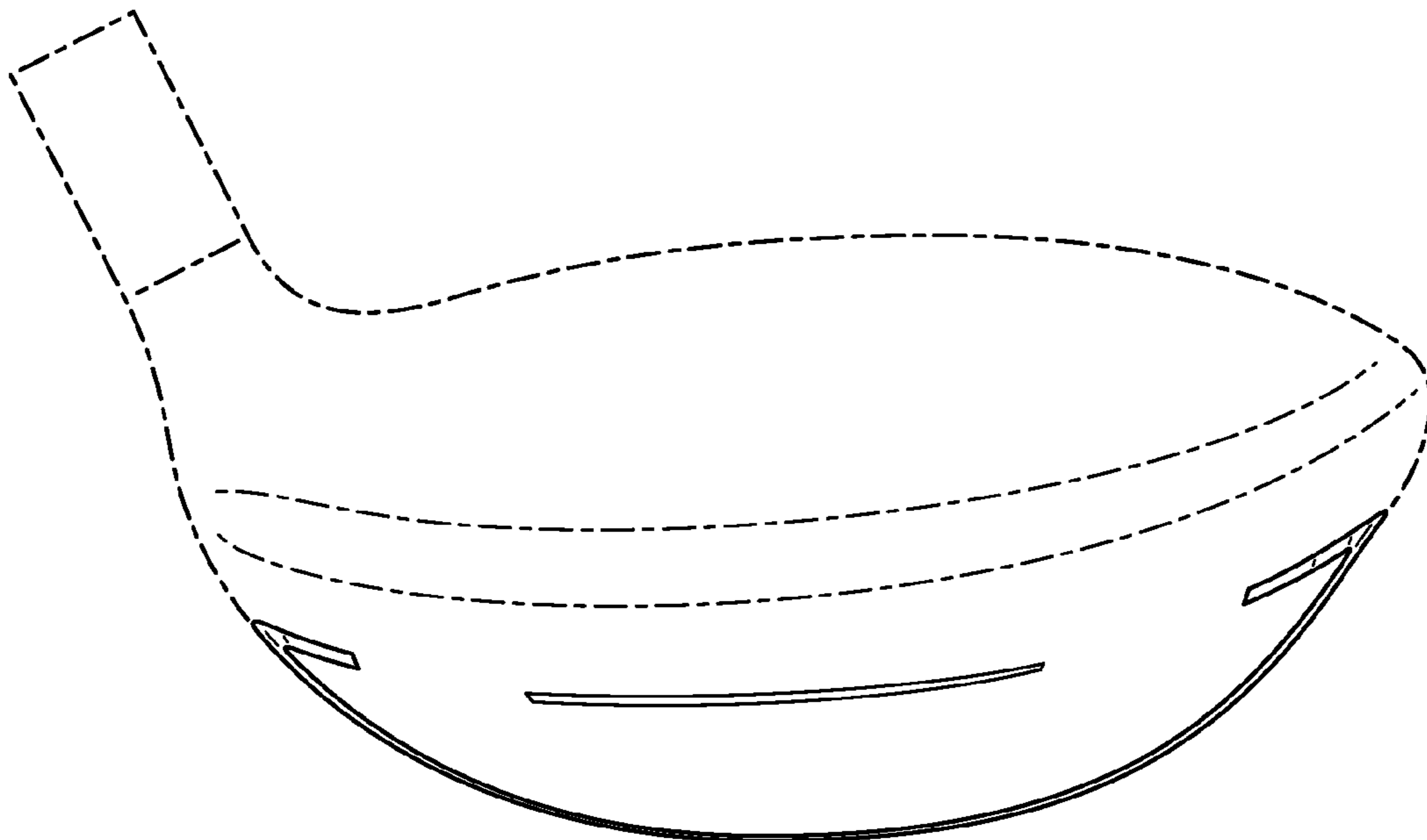


FIG. 17

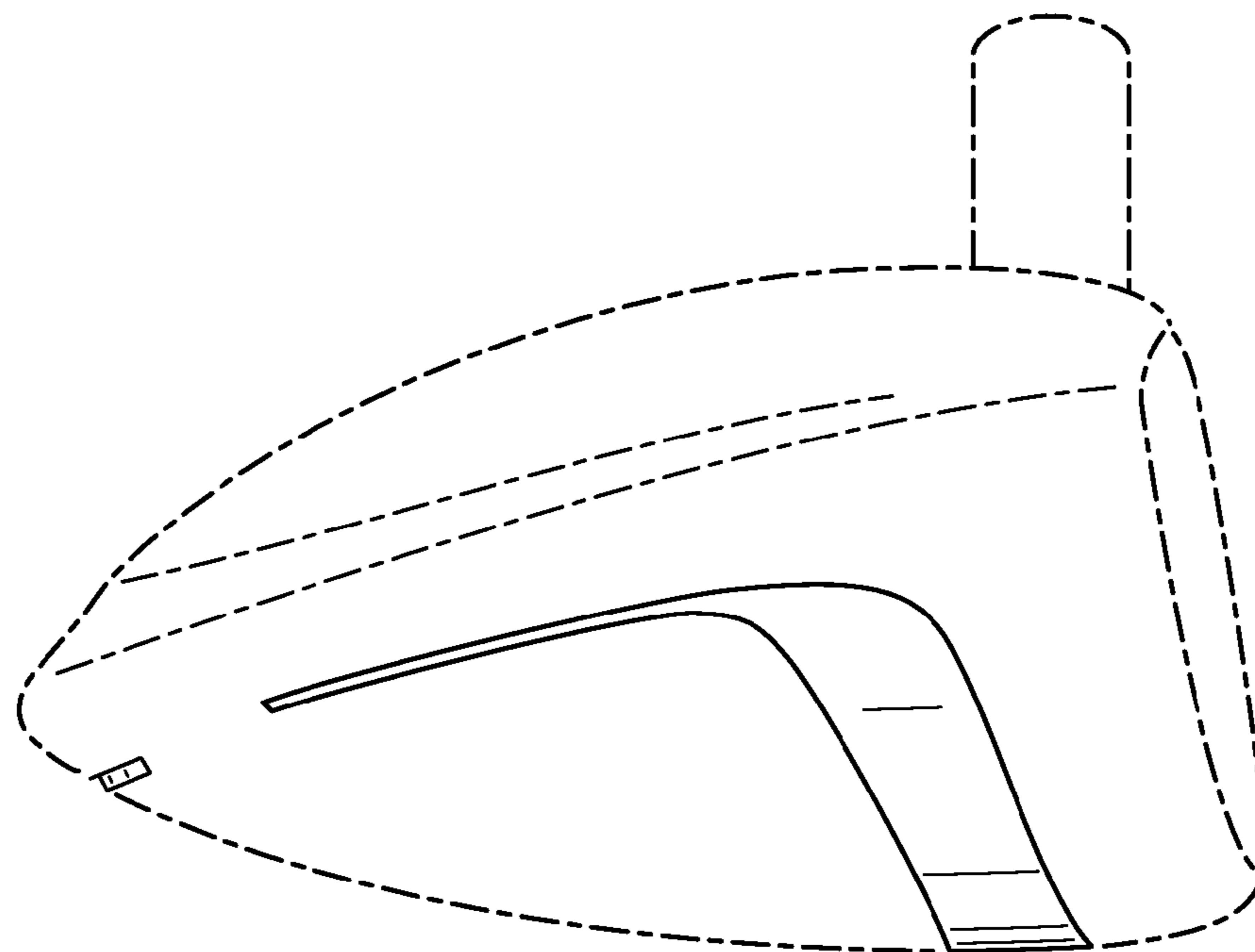


FIG. 18

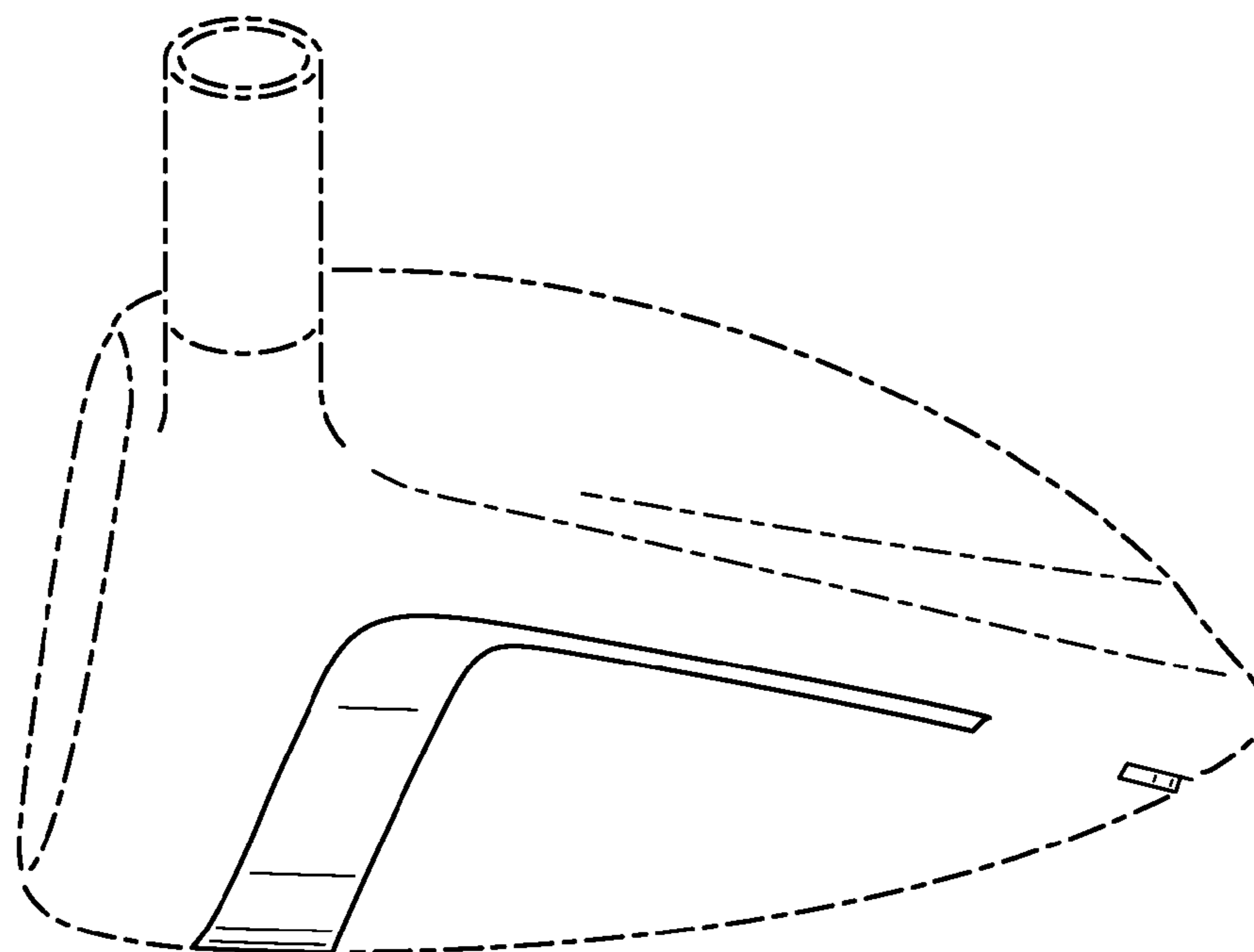


FIG. 19

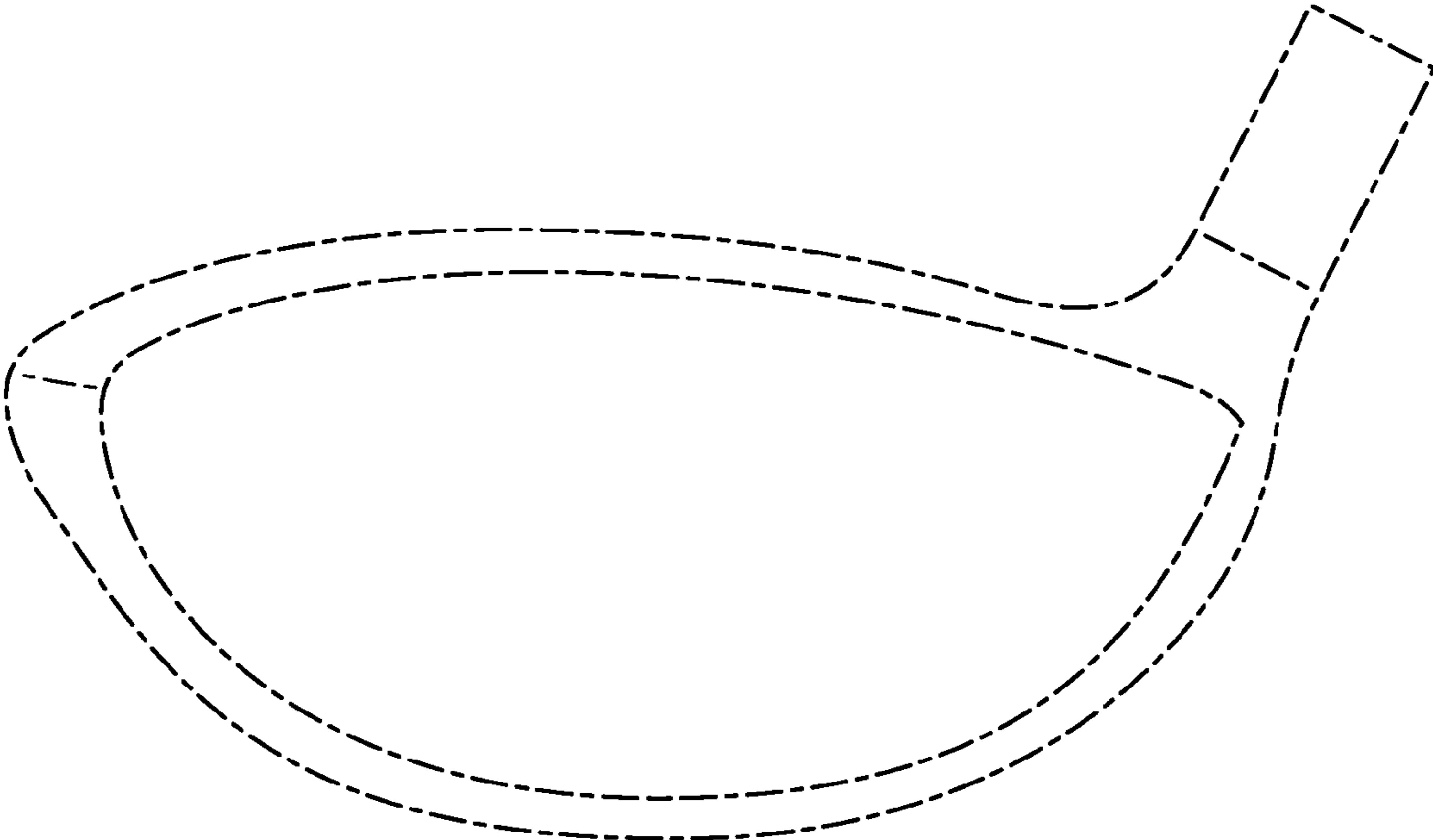


FIG. 20

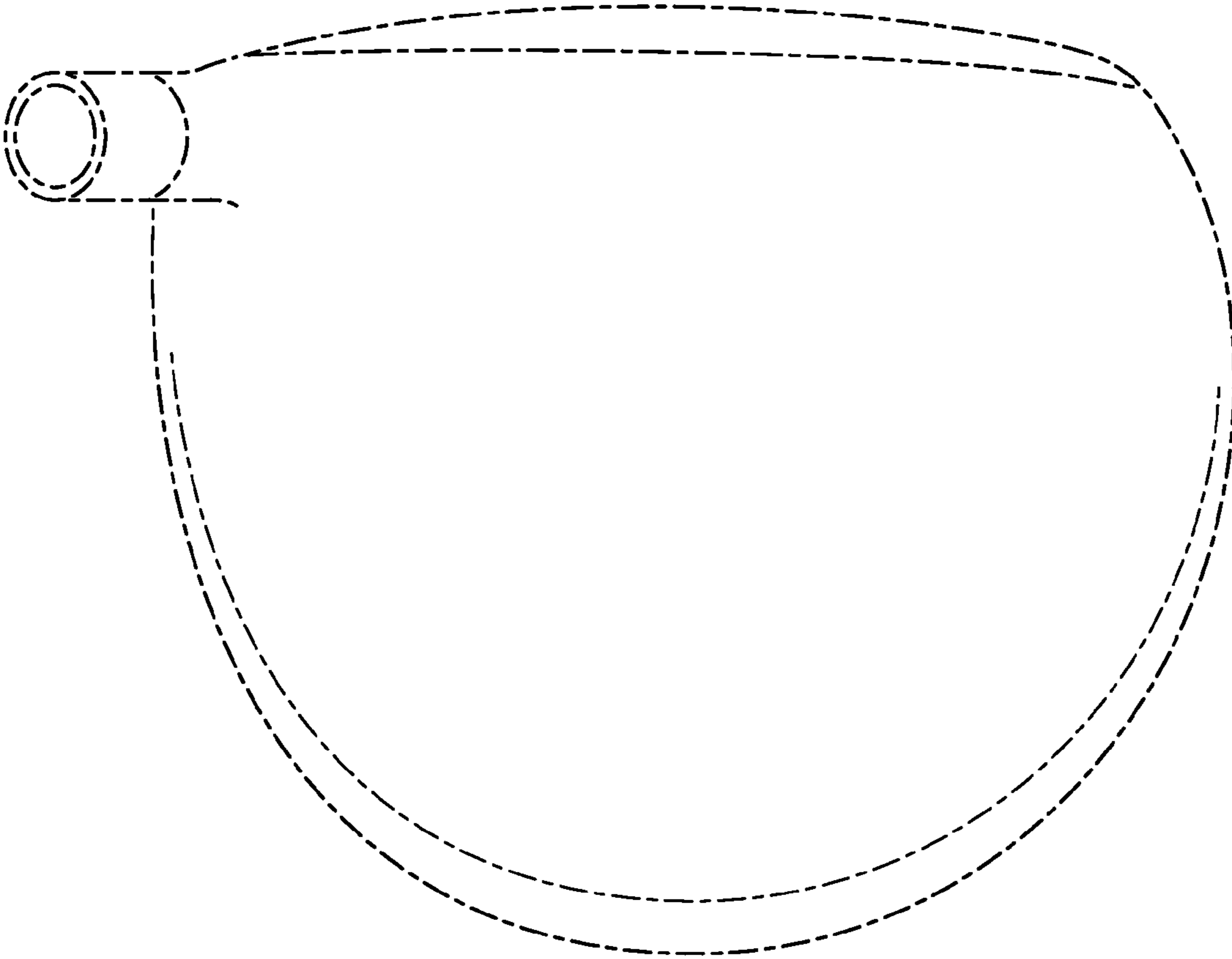


FIG. 21

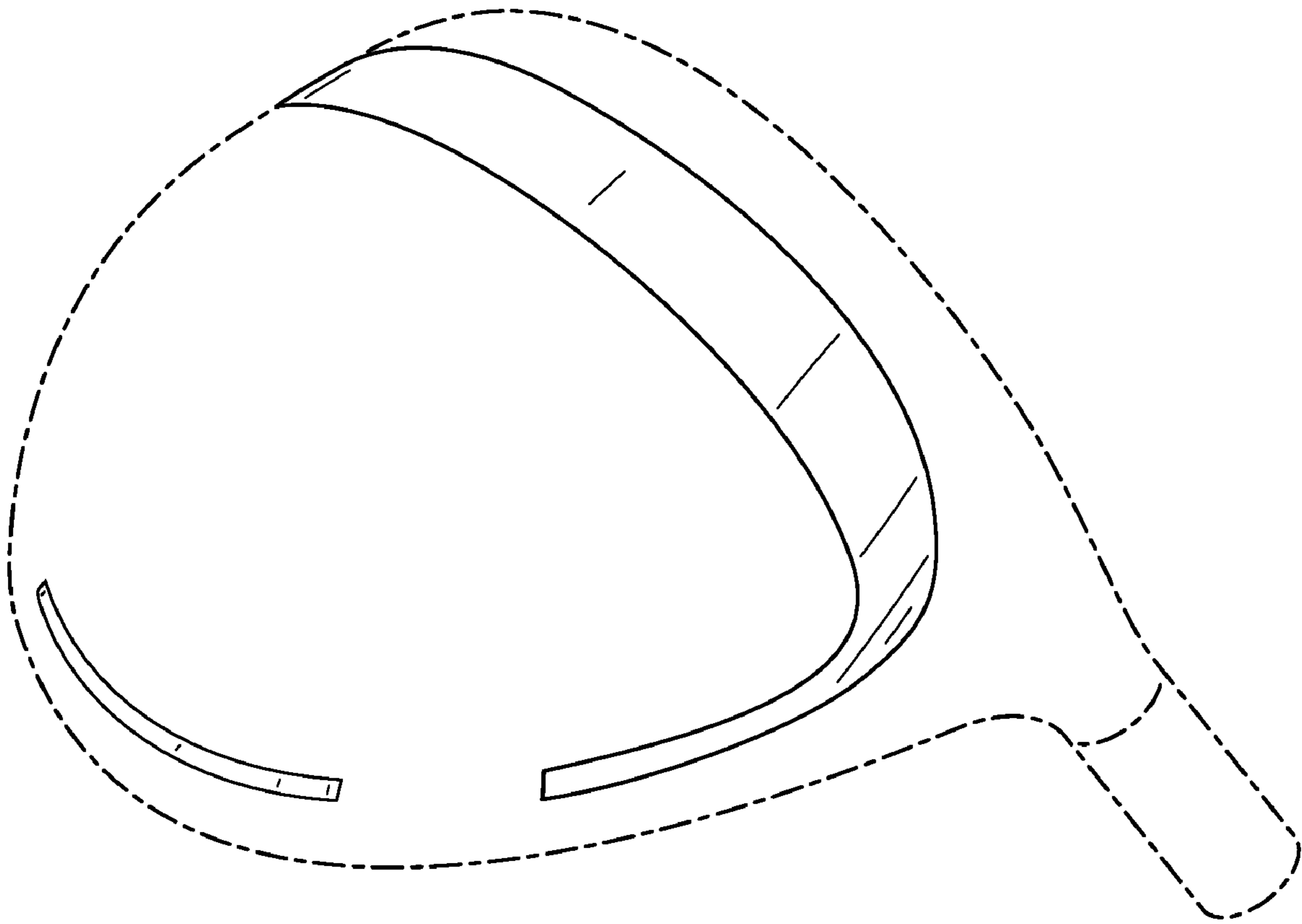


FIG. 22

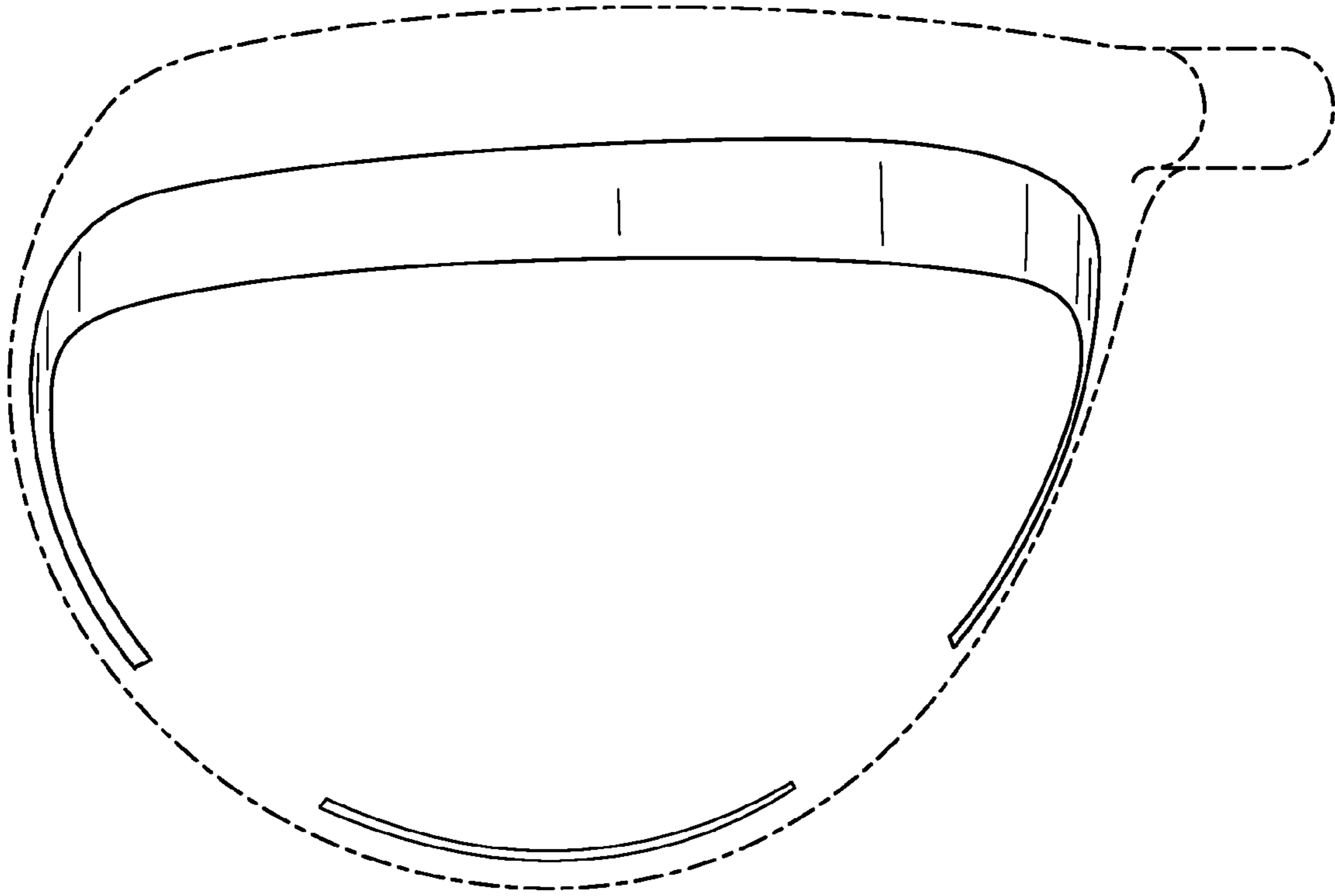


FIG. 23

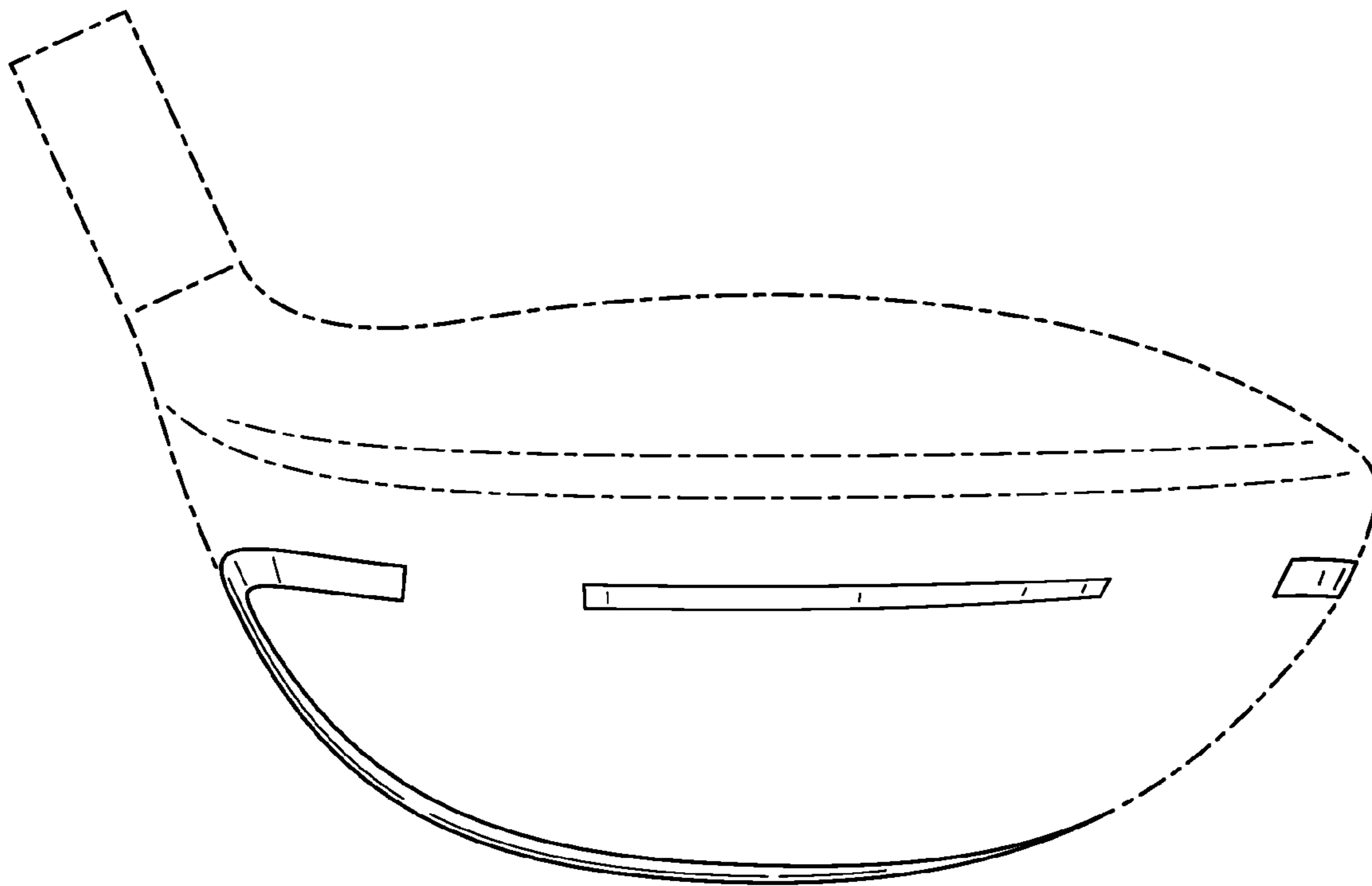


FIG. 24

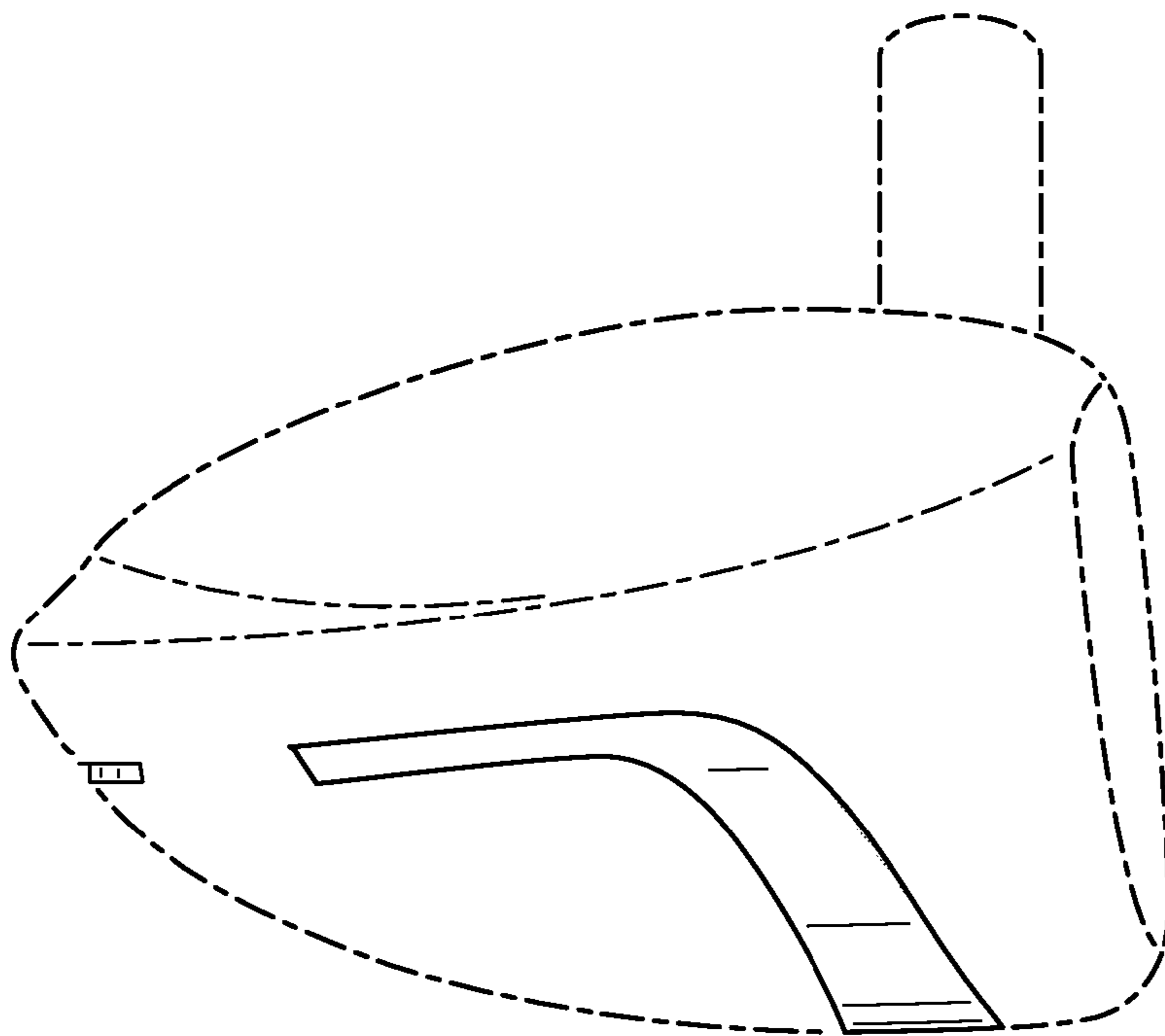


FIG. 25

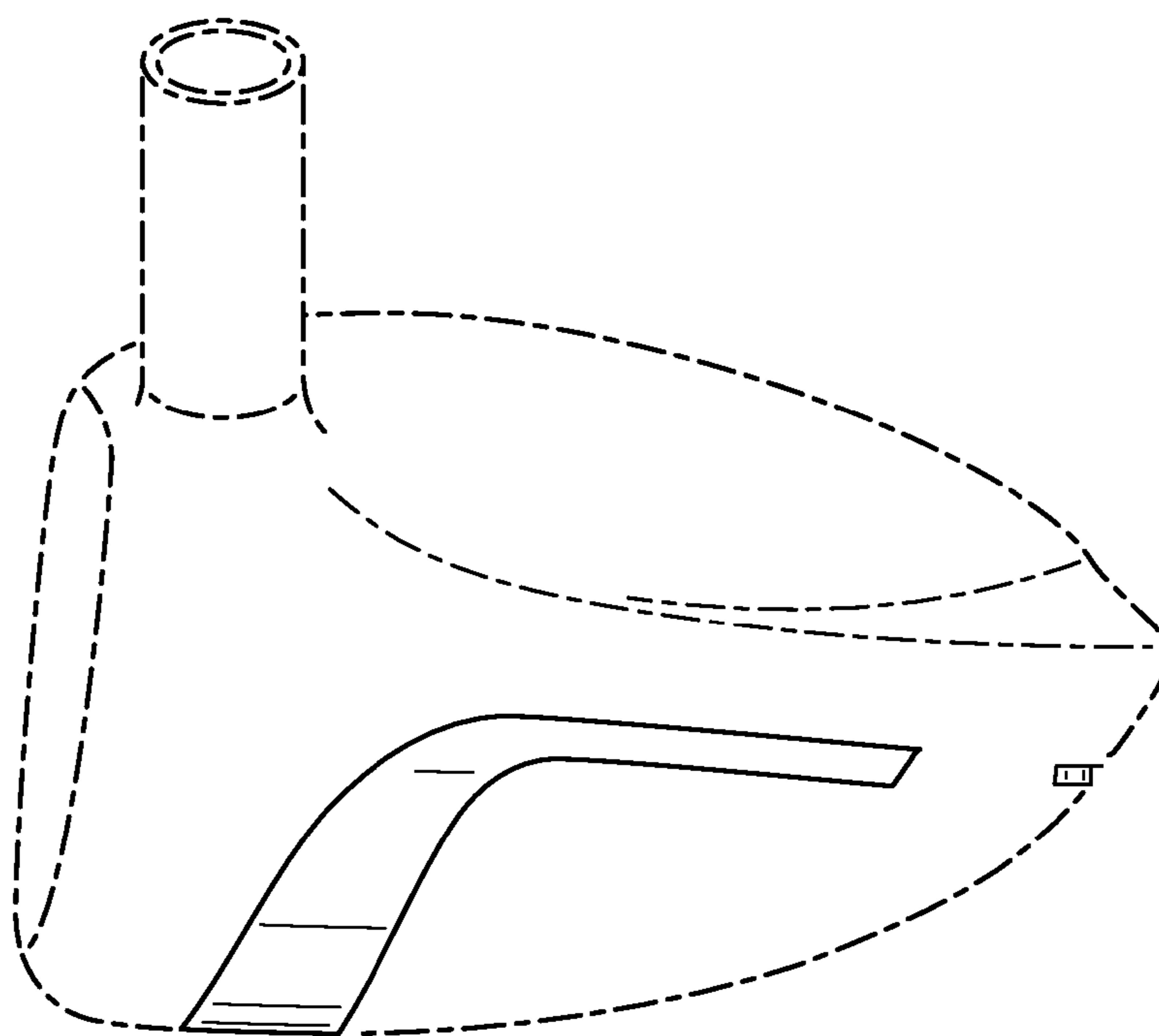


FIG. 26

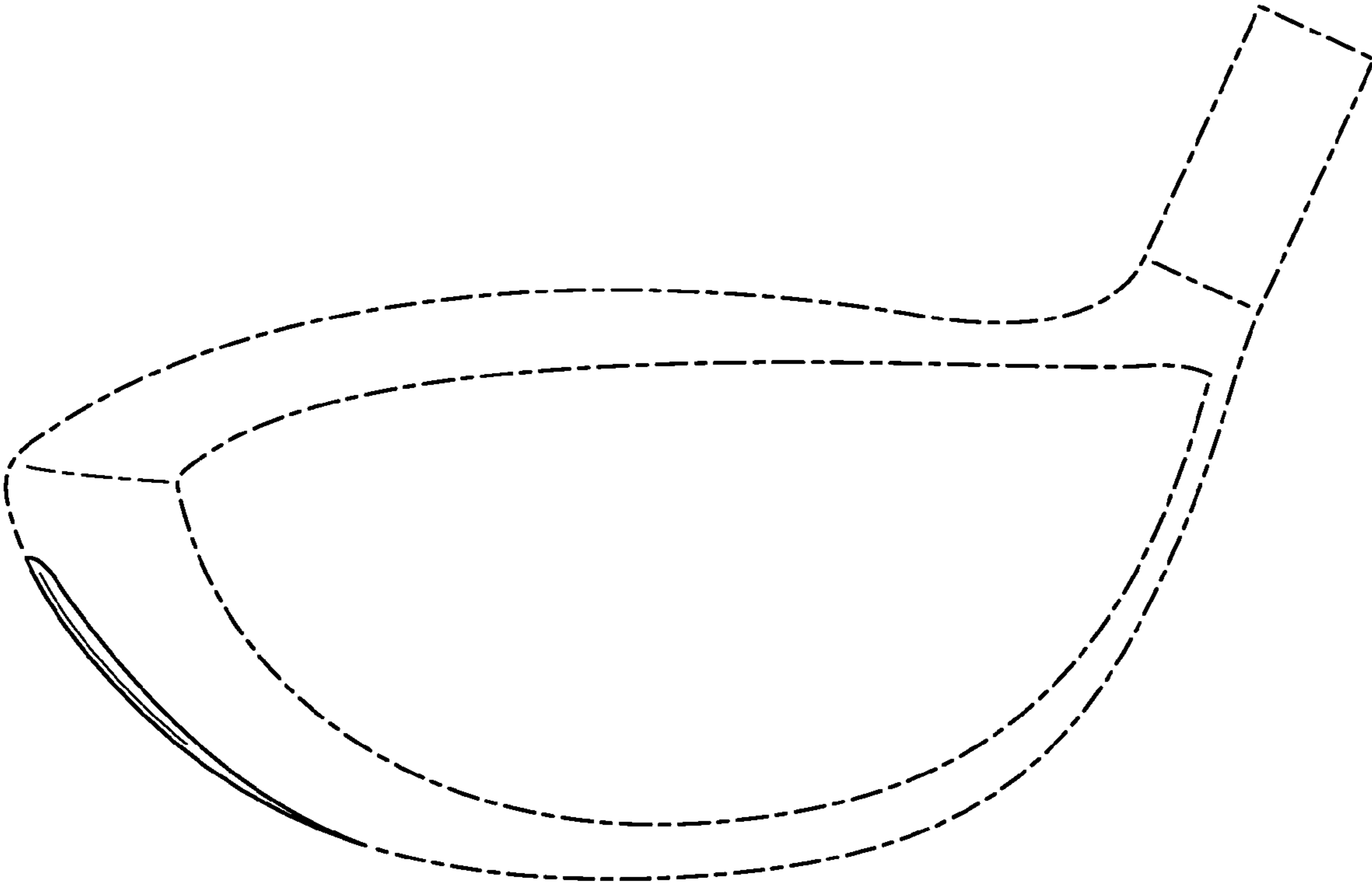


FIG. 27

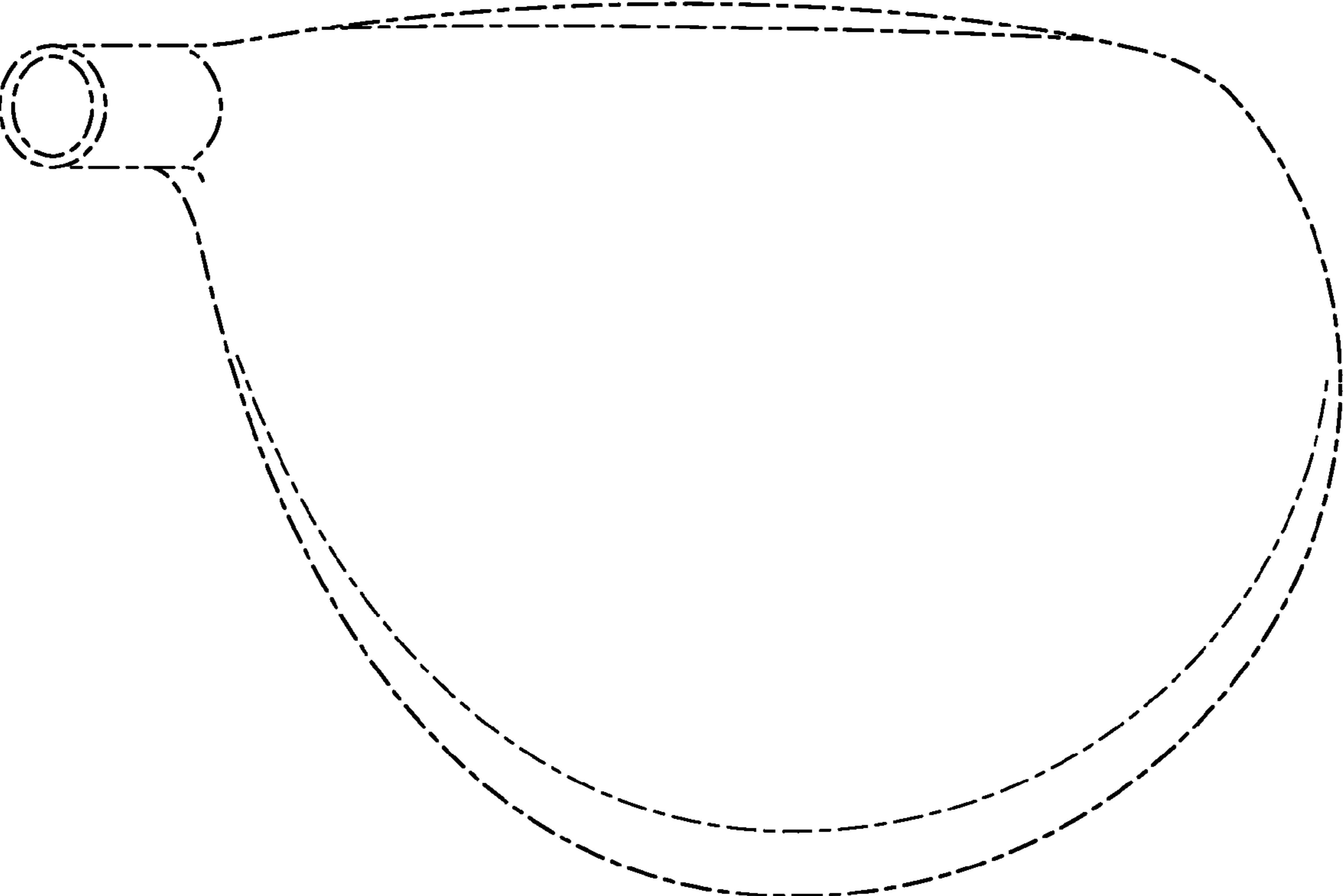


FIG. 28