



US00D616950S

(12) **United States Design Patent**
Hersee et al.

(10) **Patent No.:** **US D616,950 S**
(45) **Date of Patent:** **** Jun. 1, 2010**

(54) **THICK GRIP**

(76) Inventors: **Daniel Hersee**, Apt. 506, Golf Tower 2,
Street 3, The Greens, PO Box 126 229,
Dubai (AE); **Werner Bruggemann**,
1102 Cedarcroft Crescent, Pickering,
Ontario (CA) L1X 1R6

(**) Term: **14 Years**

(21) Appl. No.: **29/343,311**

(22) Filed: **Sep. 10, 2009**

(30) **Foreign Application Priority Data**

Jul. 16, 2009 (EM) 001584772-0001

(51) **LOC (9) Cl.** **21-02**

(52) **U.S. Cl.** **D21/682; D8/303**

(58) **Field of Classification Search** D21/662,
D21/680-684, 692, 694, 756; 482/44, 45,
482/46, 49, 105-108, 114, 115, 148; D8/14,
D8/107, 303, 313; 15/104.92, 160
See application file for complete search history.

(56) **References Cited**

U.S. PATENT DOCUMENTS

1,980,655 A * 11/1934 Balistreri 15/143.1
2,425,245 A * 8/1947 Johnson 16/431
2,466,719 A * 4/1949 MacKearnin 38/95
D305,446 S * 1/1990 Valentine D21/672
D337,801 S * 7/1993 Tandberg D21/680
5,775,756 A * 7/1998 Rozenich 294/137
D448,131 S * 9/2001 Ver Haar D32/54
D474,370 S * 5/2003 Margolin D7/393

6,817,956 B1 * 11/2004 Dagenais 473/300
7,081,072 B2 * 7/2006 Allen 482/106
D544,554 S * 6/2007 Brun D21/680
D546,402 S * 7/2007 Sonnier D21/662
D546,659 S * 7/2007 Smith D8/313
D556,841 S * 12/2007 Oates D21/679
D566,205 S * 4/2008 Oates D21/662
2004/0198568 A1 * 10/2004 Stonecipher 482/106

* cited by examiner

Primary Examiner—Philip S Hyder

Assistant Examiner—Susan E Krakower

(74) *Attorney, Agent, or Firm*—Steptoe & Johnson LLP

(57) **CLAIM**

The ornamental design for a thick grip, as shown and described.

DESCRIPTION

FIG. 1 is a perspective view of a thick grip embodying the inventive design.

FIG. 2 is a front perspective view thereof.

FIG. 3 is a back perspective view thereof; and,

FIG. 4 is an end view thereof, showing the right end of the grip as shown in FIG. 2.

No bottom view is shown because it would be identical to the back view, FIG. 3.

No top view is shown because it would be a mirror image of FIG. 2.

No second end view is shown because it would be a mirror image of end view, FIG. 4.

1 Claim, 2 Drawing Sheets

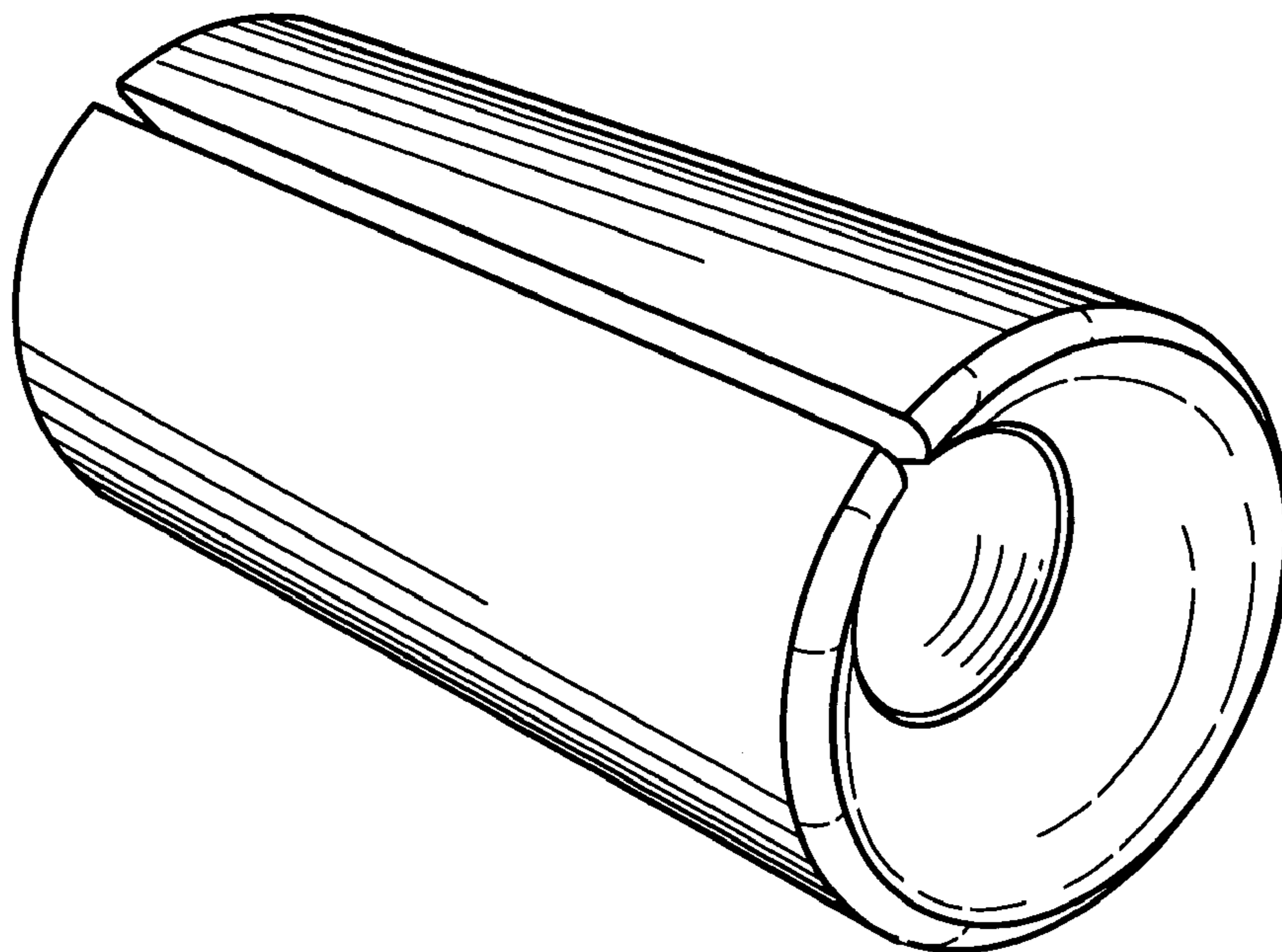


FIG. 1

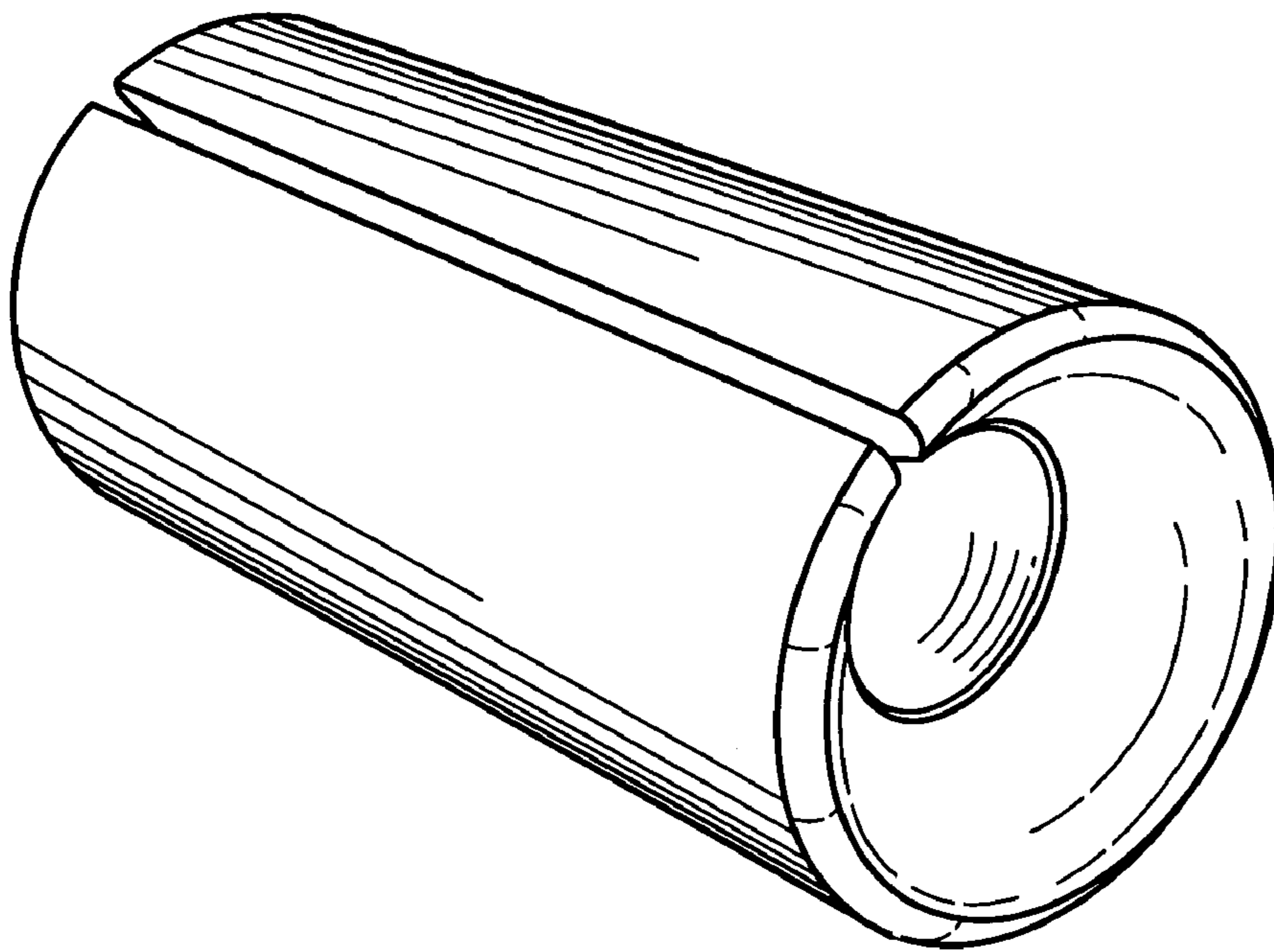


FIG. 2

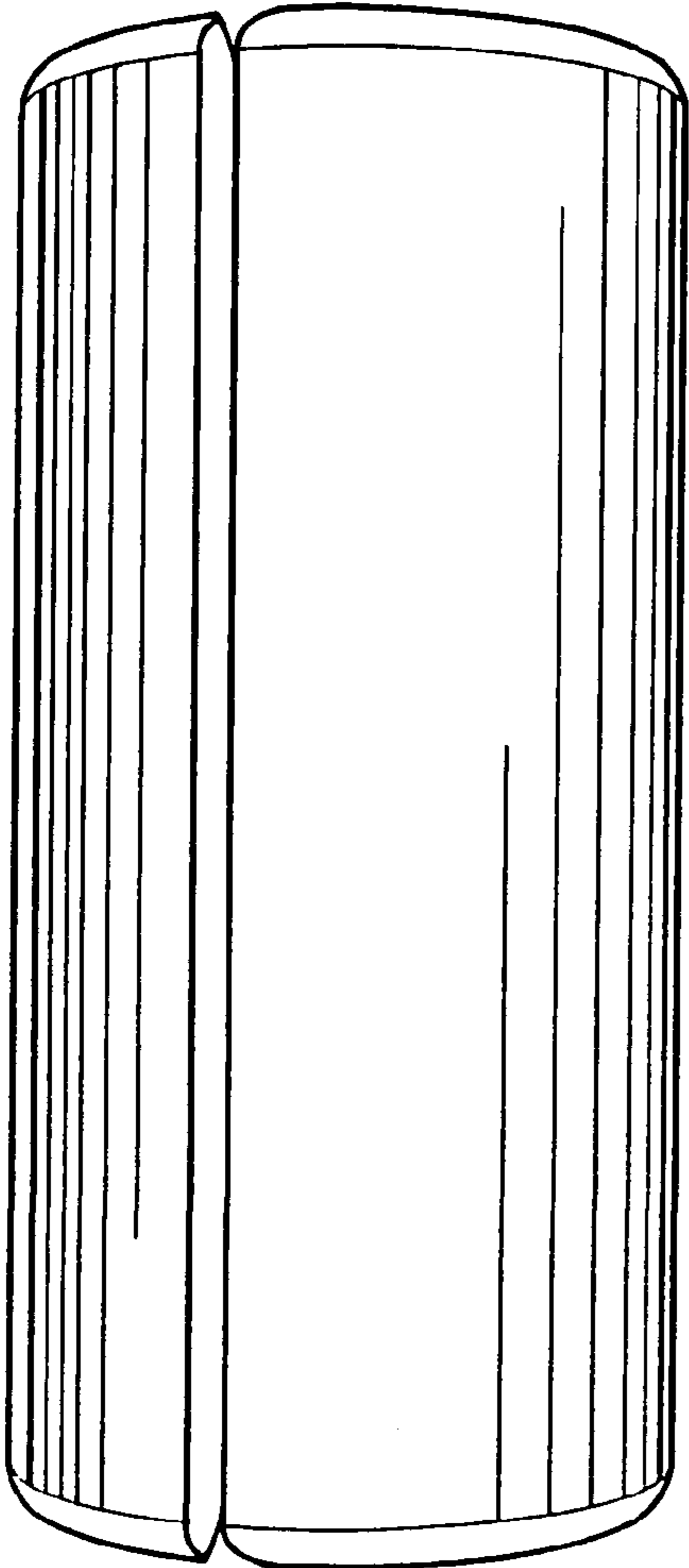


FIG. 3

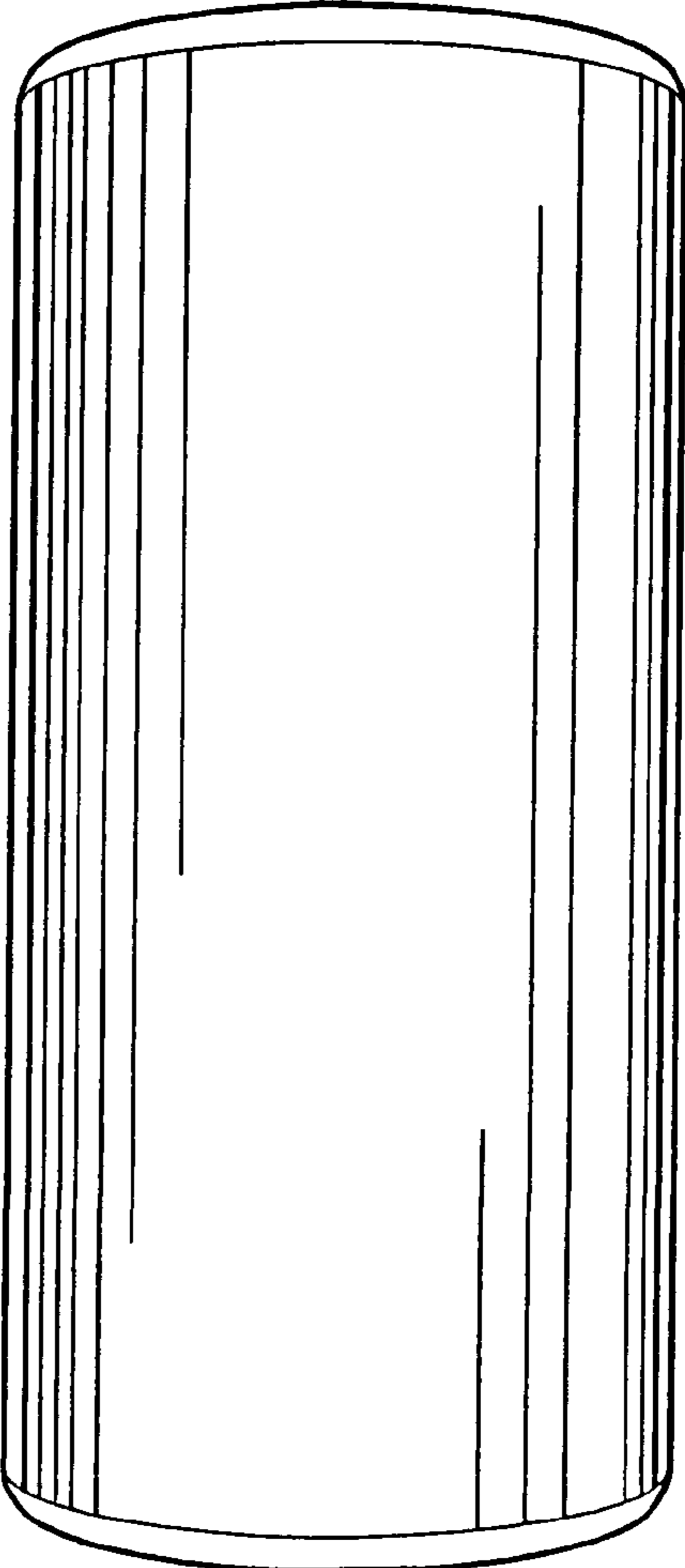


FIG. 4

