



US00D616946S

(12) **United States Design Patent**
Garfinkle et al.

(10) **Patent No.:** **US D616,946 S**

(45) **Date of Patent:** **** Jun. 1, 2010**

(54) **TAG HOLDER CLIP**

(76) Inventors: **Benjamin L Garfinkle**, 1120 Portal Ave., Piedmont, CA (US) 94610; **Manu B Makhija**, 25119 Valley Oak Dr., Castro Valley, CA (US) 94652

(**) Term: **14 Years**

(21) Appl. No.: **29/342,487**

(22) Filed: **Aug. 26, 2009**

(51) **LOC (9) Cl.** **20-03**

(52) **U.S. Cl.** **D20/43**

(58) **Field of Classification Search** D20/10, D20/43, 44, 99; 40/324, 626, 642.02, 644, 40/649, 650-652, 658, 661, 661.03, 661.06, 40/661.11, 662, 715; D8/373, 394, 395; D25/119, 121, 122

See application file for complete search history.

(56) **References Cited**

U.S. PATENT DOCUMENTS

2,276,776	A *	3/1942	Hofmann	40/715
D208,105	S *	7/1967	Haber	D20/43
4,882,862	A *	11/1989	Slavsky, Sr.	40/324
D314,017	S *	1/1991	Garfinkle	D20/43
D322,634	S *	12/1991	Callas	D20/44
D432,404	S *	10/2000	Garfinkle	D8/395
D454,373	S *	3/2002	Kosir	D20/44

D454,593	S *	3/2002	Kosir	D20/44
6,546,658	B2 *	4/2003	Pitcher et al.	40/658
6,868,629	B2 *	3/2005	Fast et al.	40/661.03
D536,954	S *	2/2007	Sjoberg	D8/373
D580,498	S *	11/2008	Healy et al.	D20/43
2002/0029505	A1 *	3/2002	Faneuf	40/658

* cited by examiner

Primary Examiner—Janice E Seeger

Assistant Examiner—Mary Ann Calabrese

(74) *Attorney, Agent, or Firm*—Bay Area Technology Law Group PC

(57) **CLAIM**

The ornamental design for a tag holder clip, as shown and described.

DESCRIPTION

FIG. 1 is a perspective view of a tag holder clip showing our new design;

FIG. 2 is a left side view of the tag holder clip;

FIG. 3 is a right side view thereof;

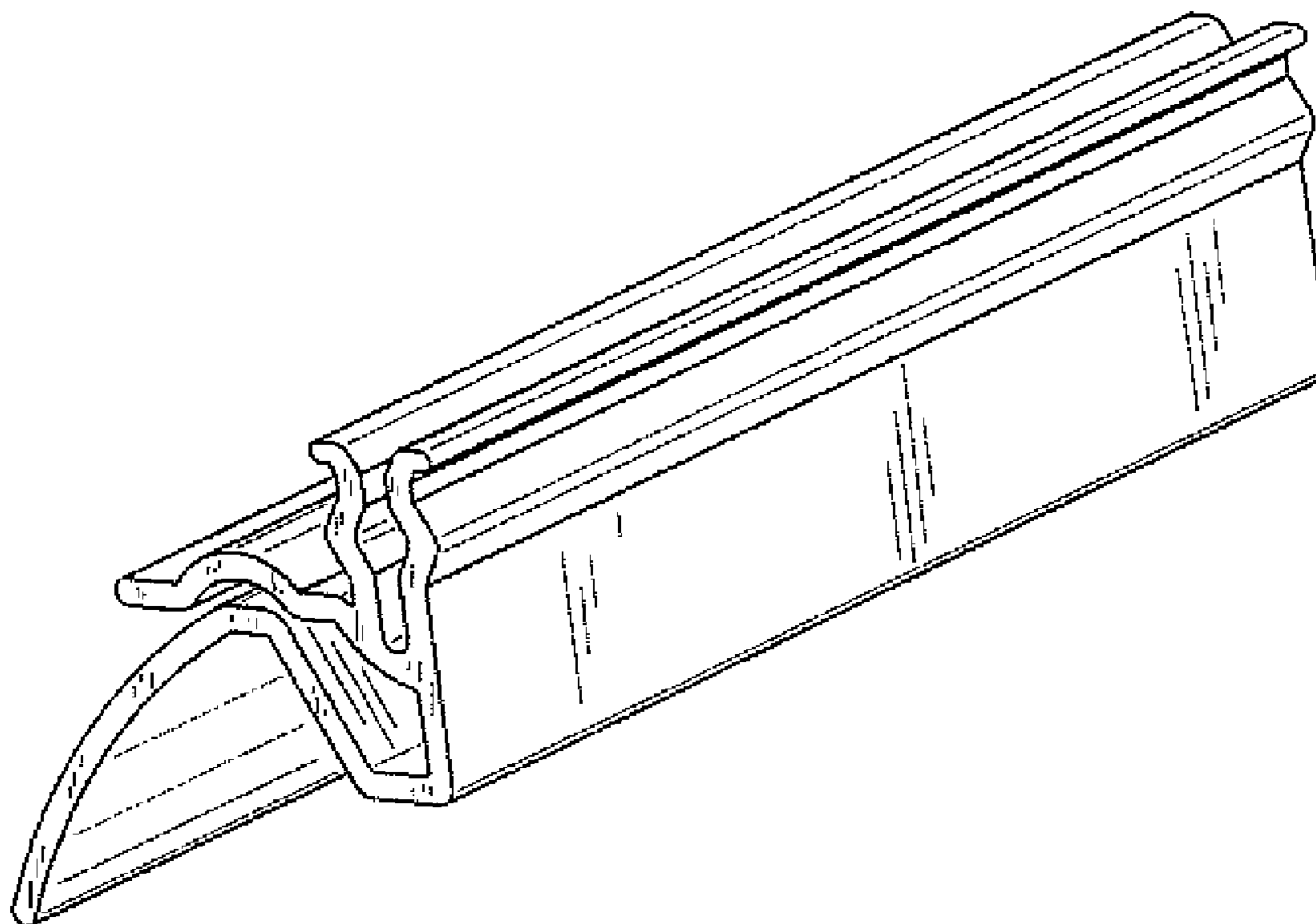
FIG. 4 is a front view thereof;

FIG. 5 is a back view thereof;

FIG. 6 is a top view thereof; and,

FIG. 7 is a bottom view thereof.

1 Claim, 2 Drawing Sheets



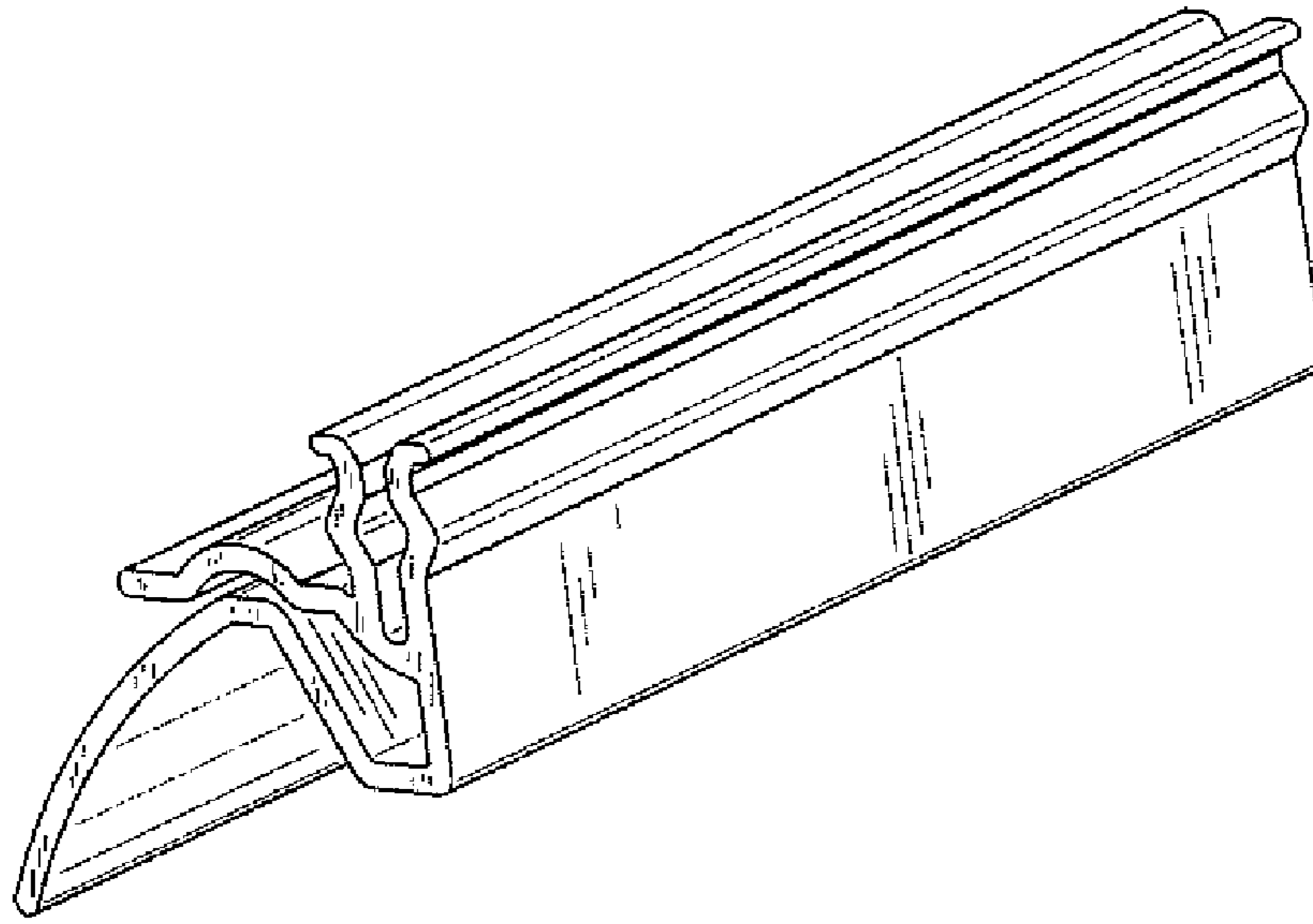


FIG. 1

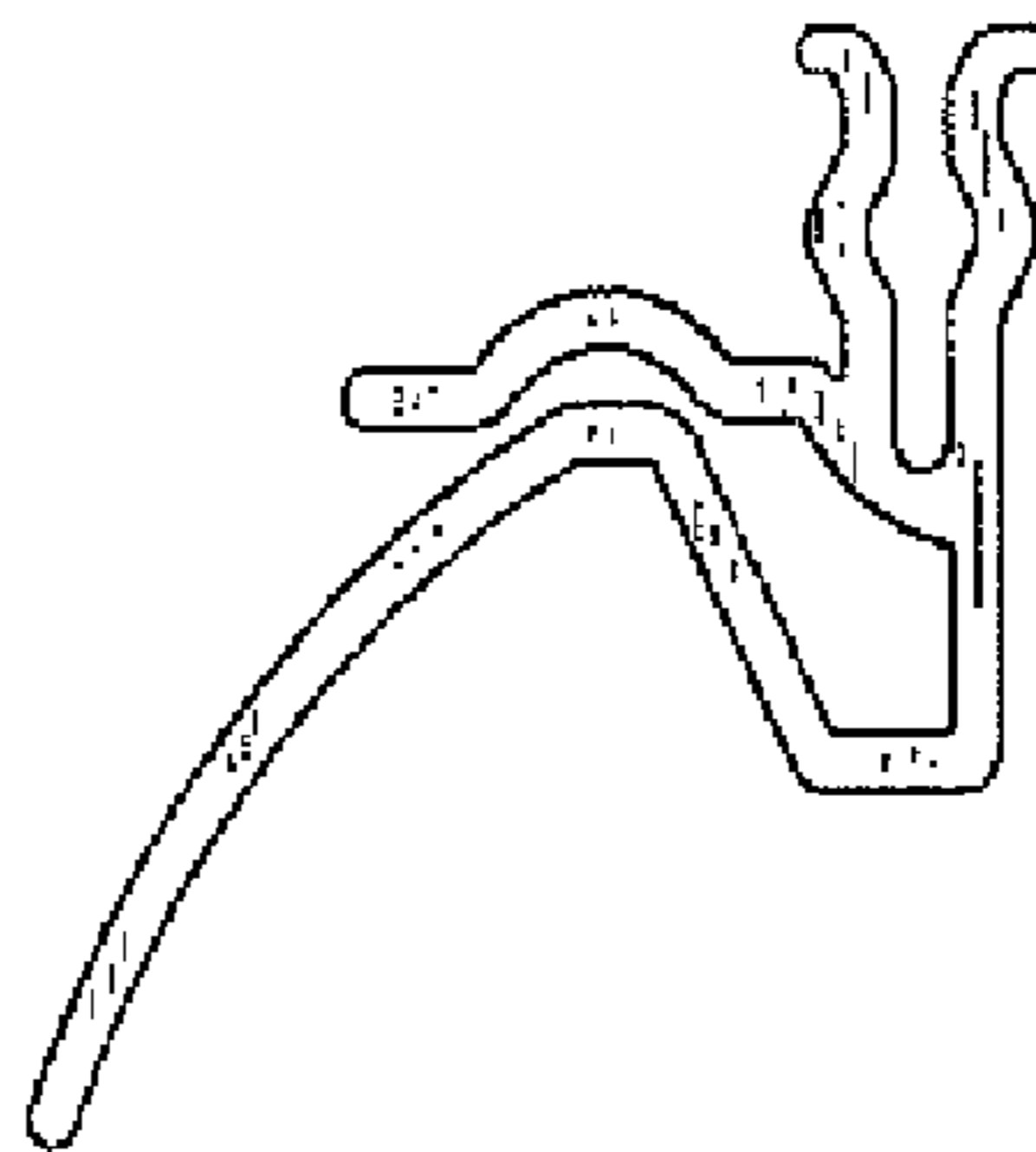


FIG. 2

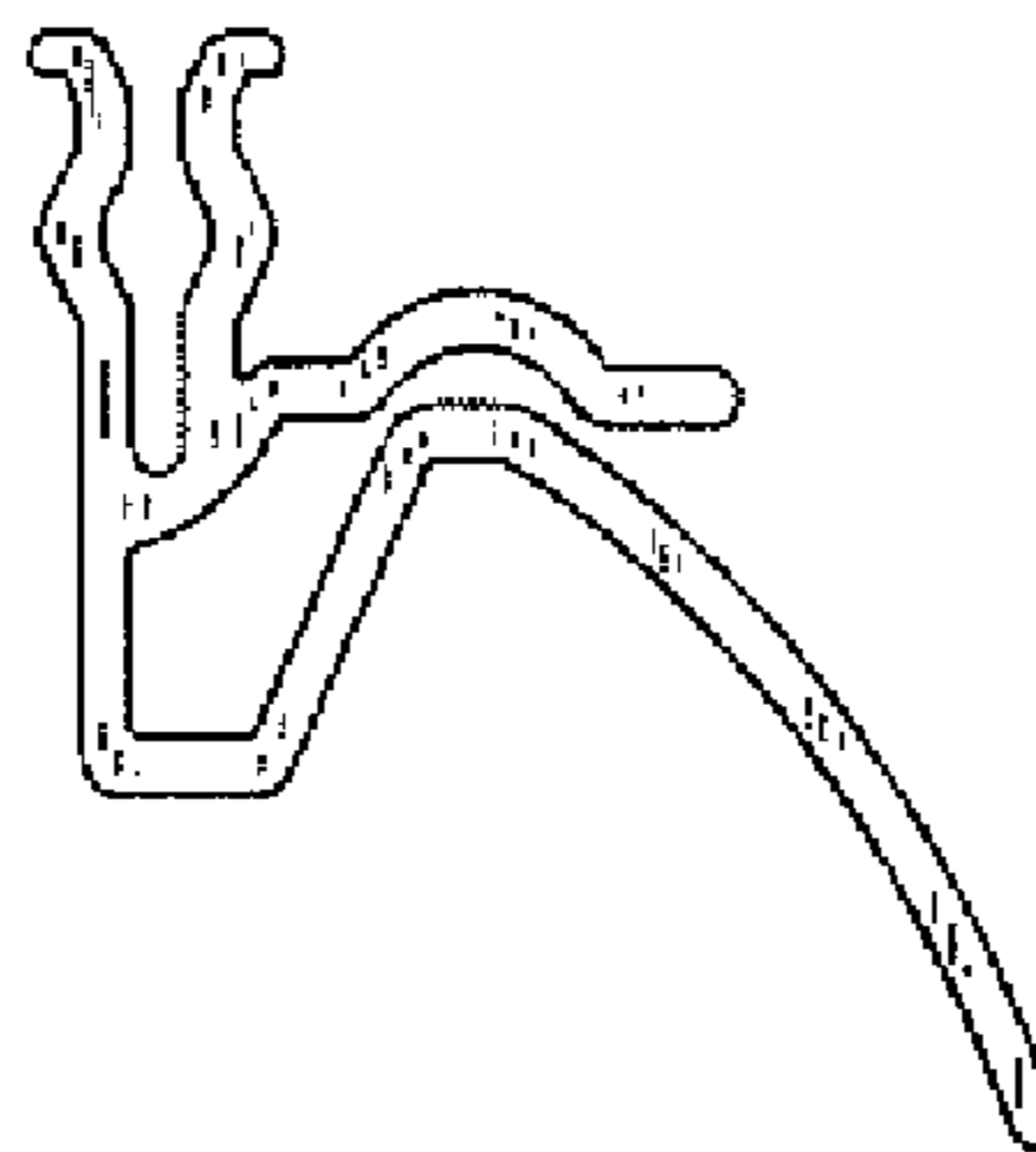


FIG. 3

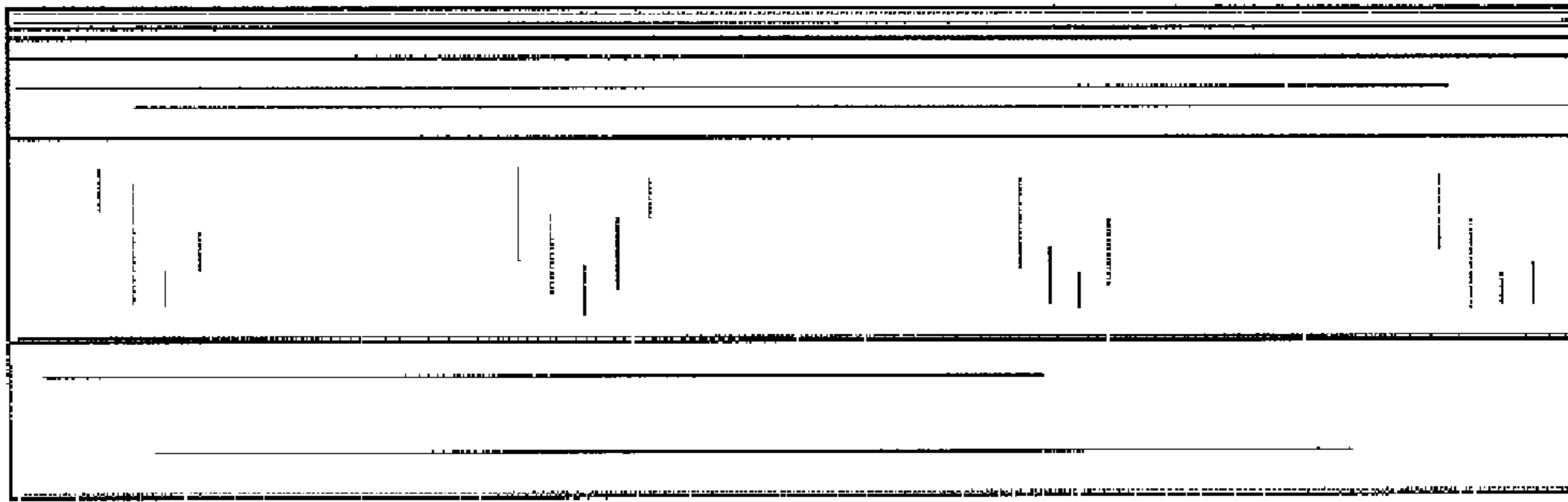


FIG. 4

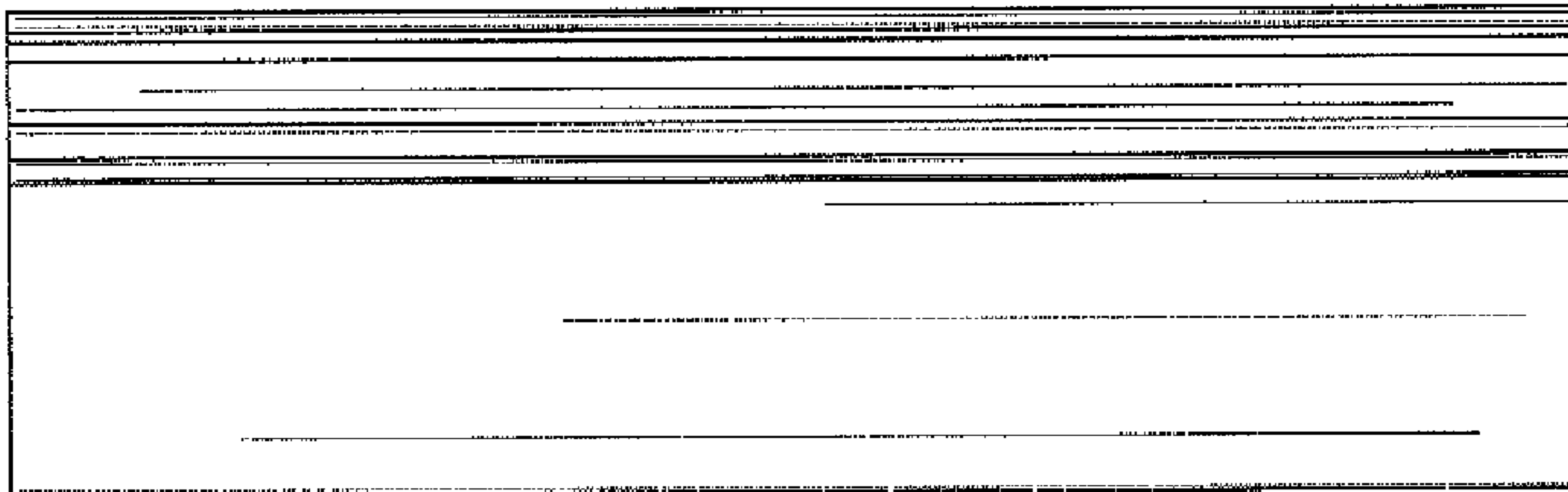


FIG. 5

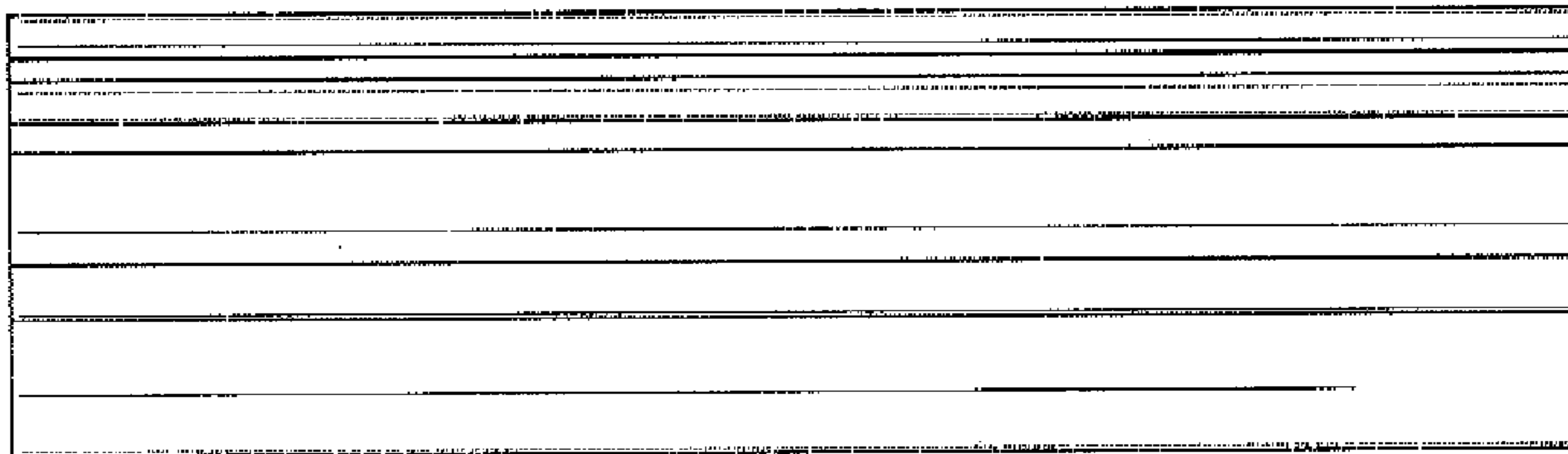


FIG. 6

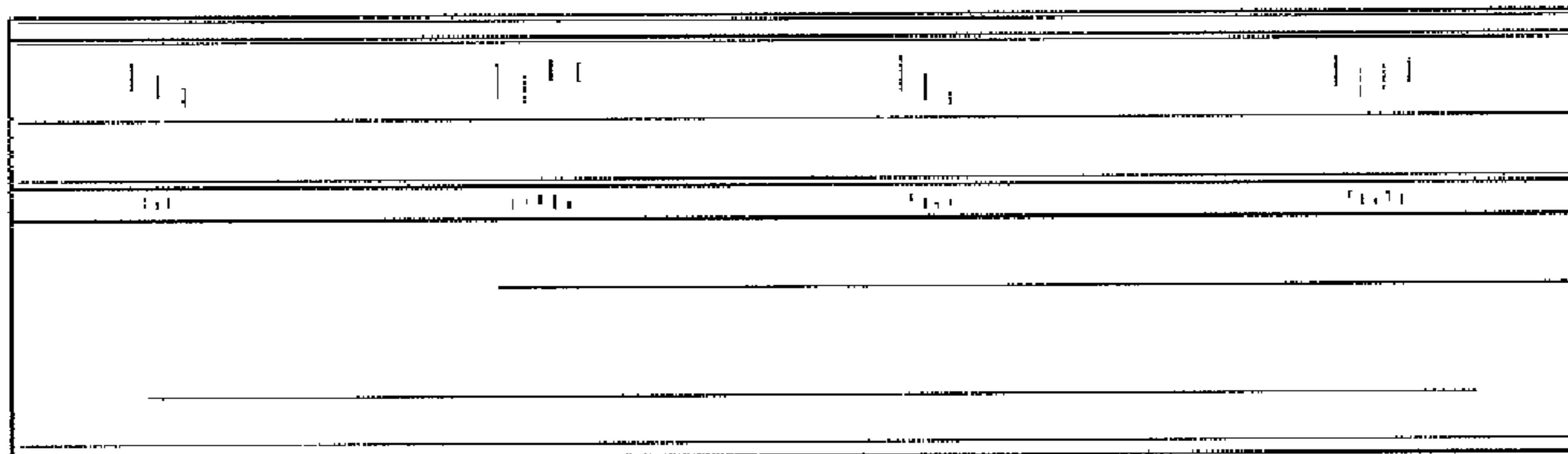


FIG. 7